

[54] LABEL DISPENSER

[75] Inventor: Roger Kalifa, Toulouse, France

[73] Assignee: Erika International, S.A., Toulouse, France

[\*\*] Term: 14 Years

[21] Appl. No.: 172,456

[22] Filed: Jul. 25, 1980

[30] Foreign Application Priority Data

Feb. 5, 1980 [FR] France ..... 800226

[51] Int. Cl. .... D18-02

[52] U.S. Cl. .... D18/19; D19/68

[58] Field of Search ..... D18/19; D19/67-69; 101/288, 316; 156/384, DIG. 48, DIG. 49

[56] References Cited

U.S. PATENT DOCUMENTS

D. 250,060	10/1978	Sato .....	D18/19
4,072,105	2/1978	Becker et al. ....	101/288
4,188,255	2/1980	Gottardo .....	156/384

OTHER PUBLICATIONS

Hardware Age, 9/78, p. 64, Item "A", p. 65, Item B.

Primary Examiner—George P. Word  
Attorney, Agent, or Firm—Sandler & Greenblum

[57] CLAIM

The ornamental design for a label dispenser, as shown and described.

DESCRIPTION

FIG. 1 is a perspective view of a label dispenser showing my new design;  
FIG. 2 is a left side elevational view thereof;  
FIG. 3 is a right side elevational view thereof;  
FIG. 4 is a top plan view thereof;  
FIG. 5 is a bottom plan view thereof;  
FIG. 6 is a rear elevational view thereof; and  
FIG. 7 is a front elevational view thereof.

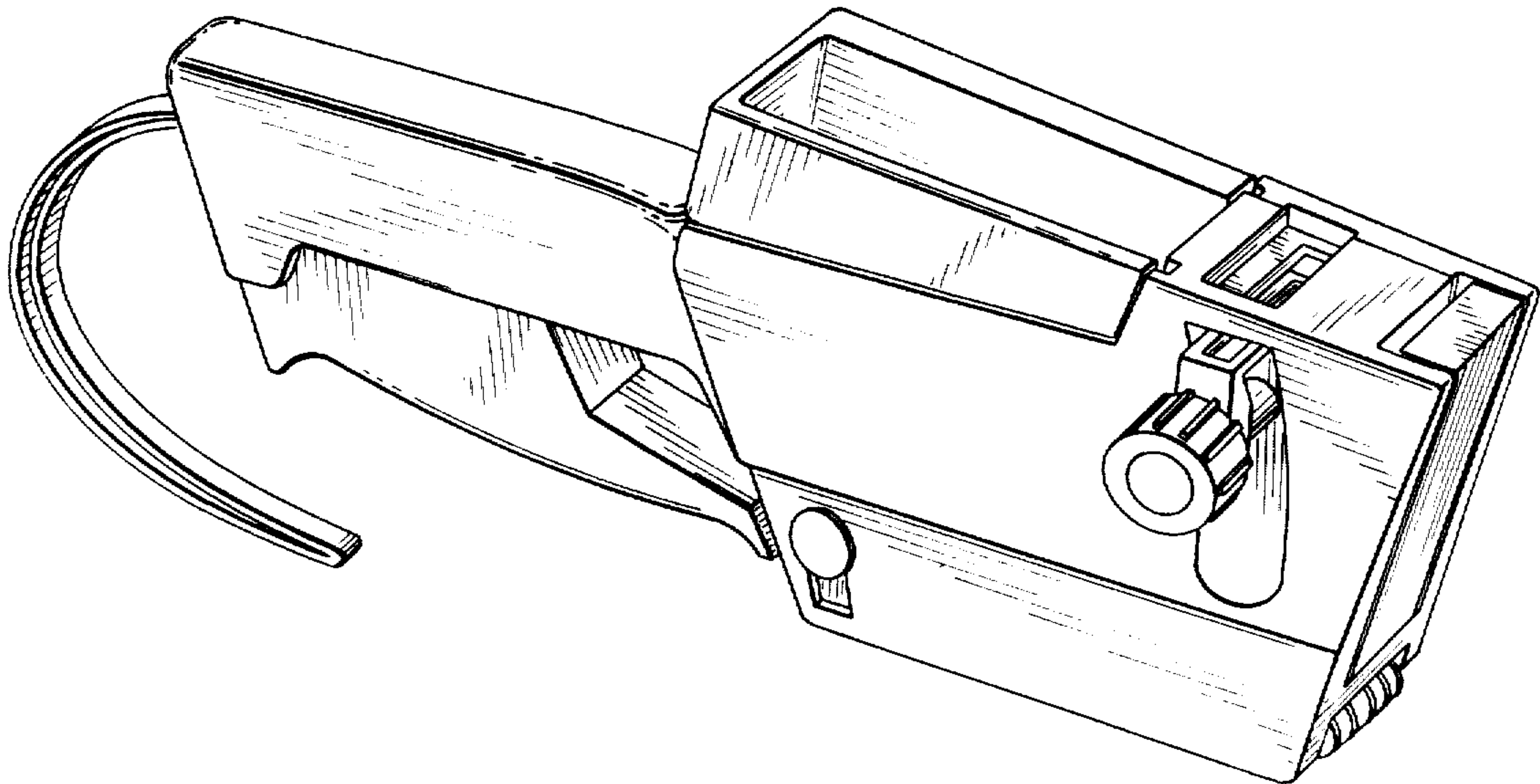


FIG. 1

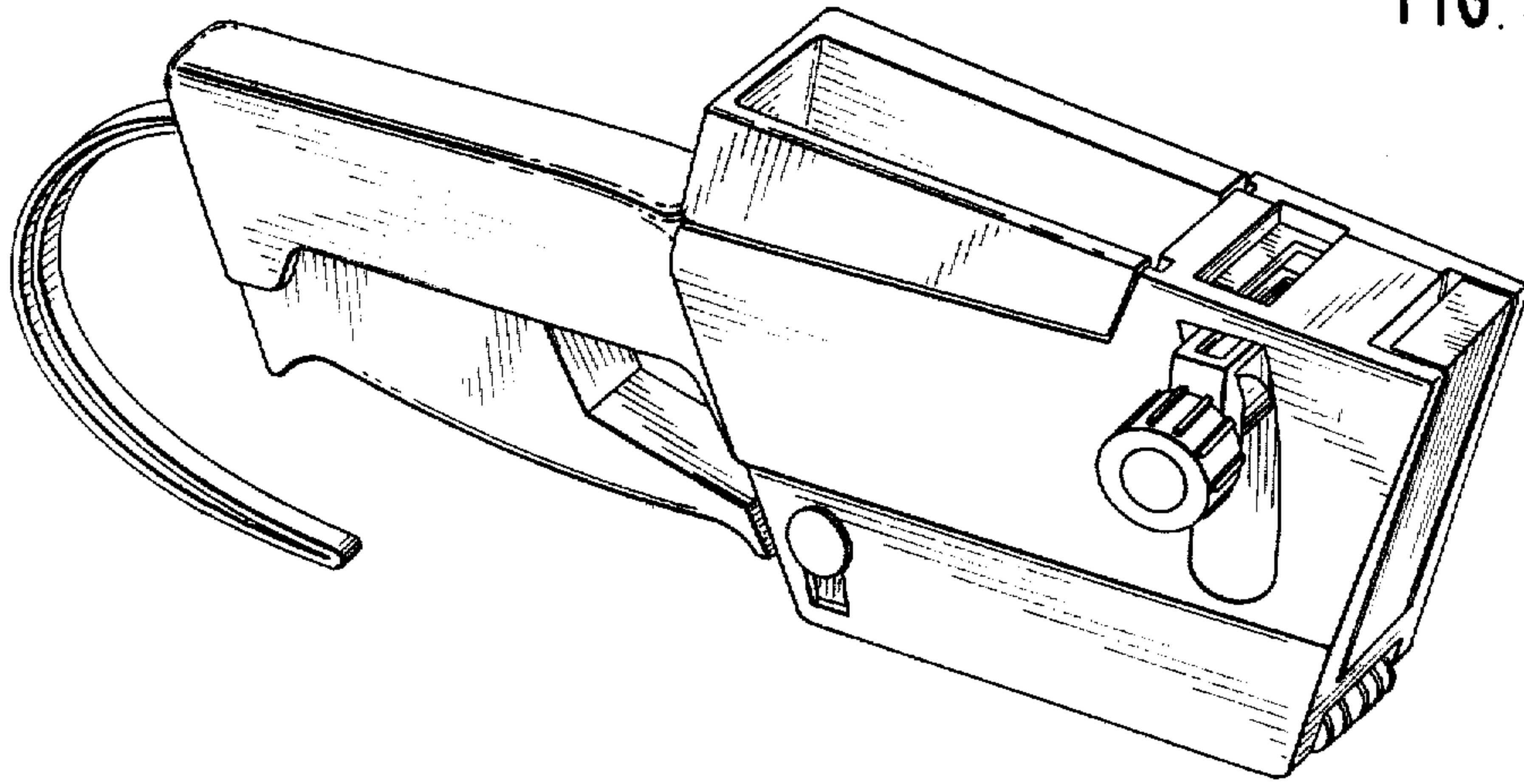


FIG. 2

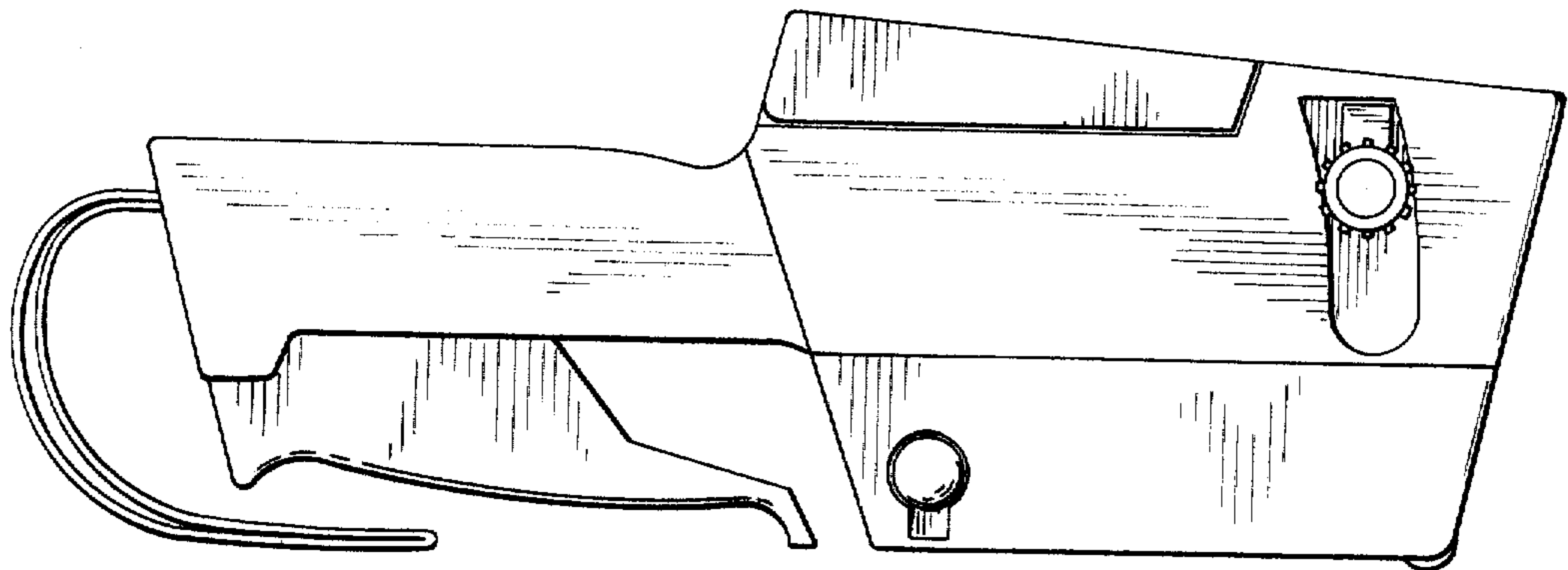


FIG. 3

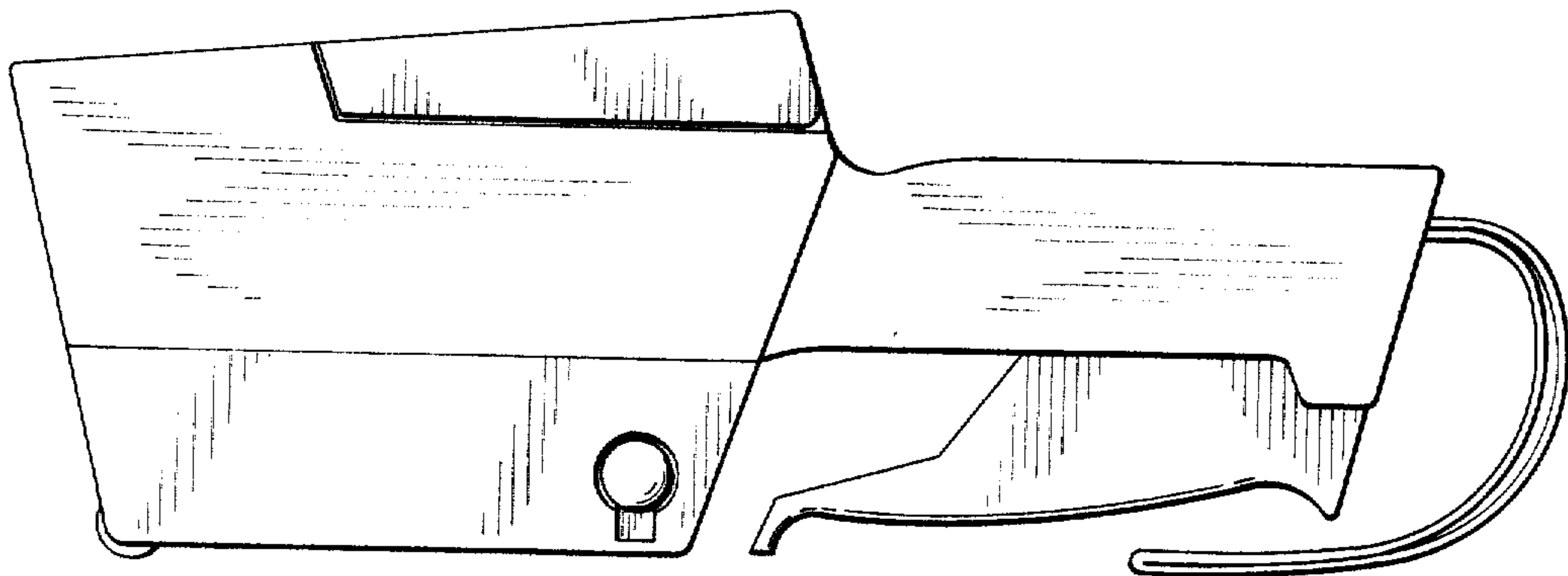


FIG. 4

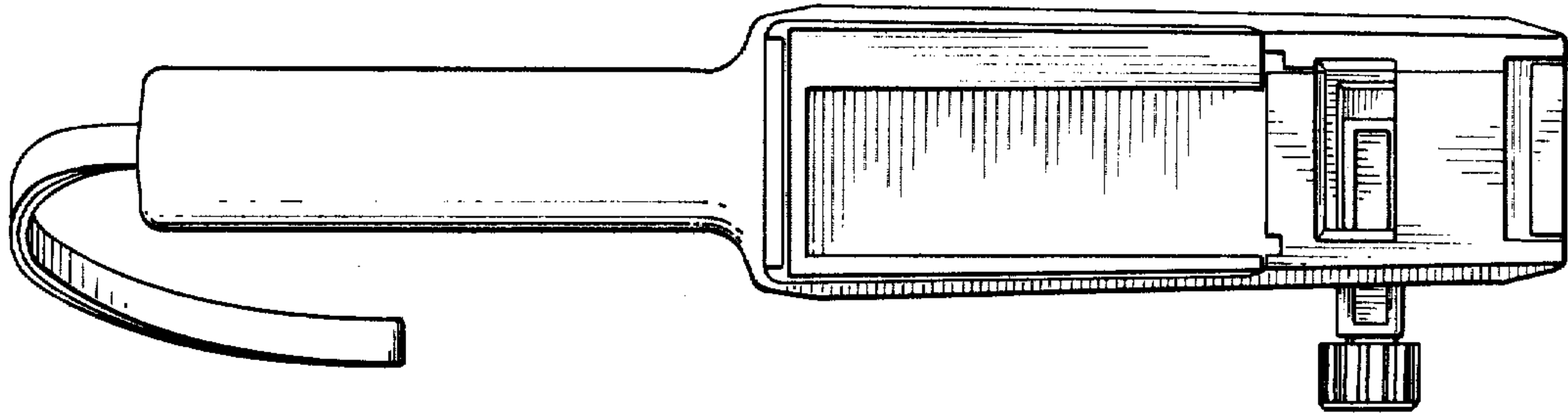


FIG. 5

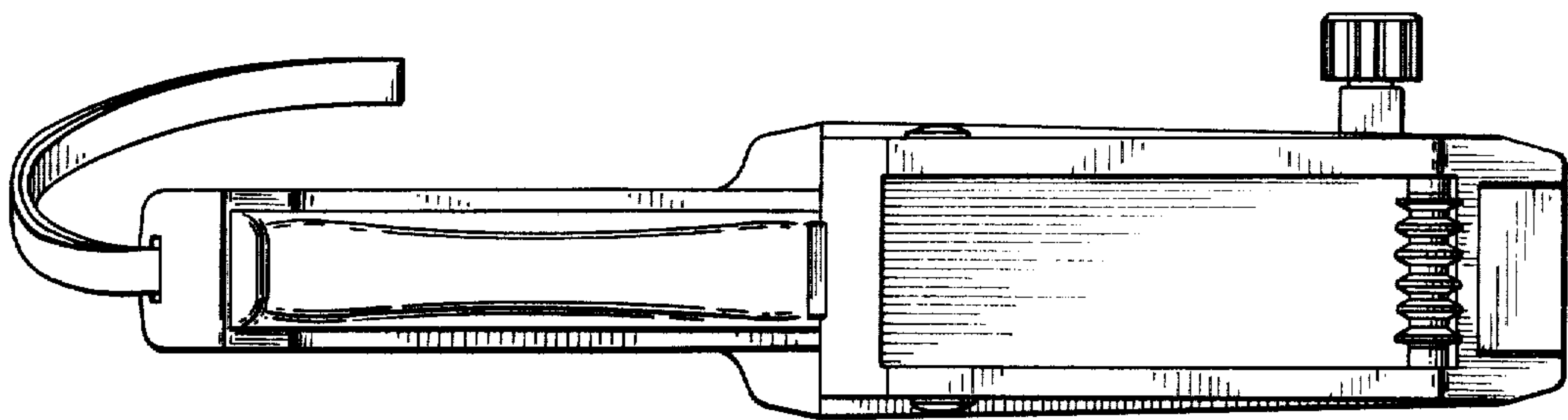


FIG. 6

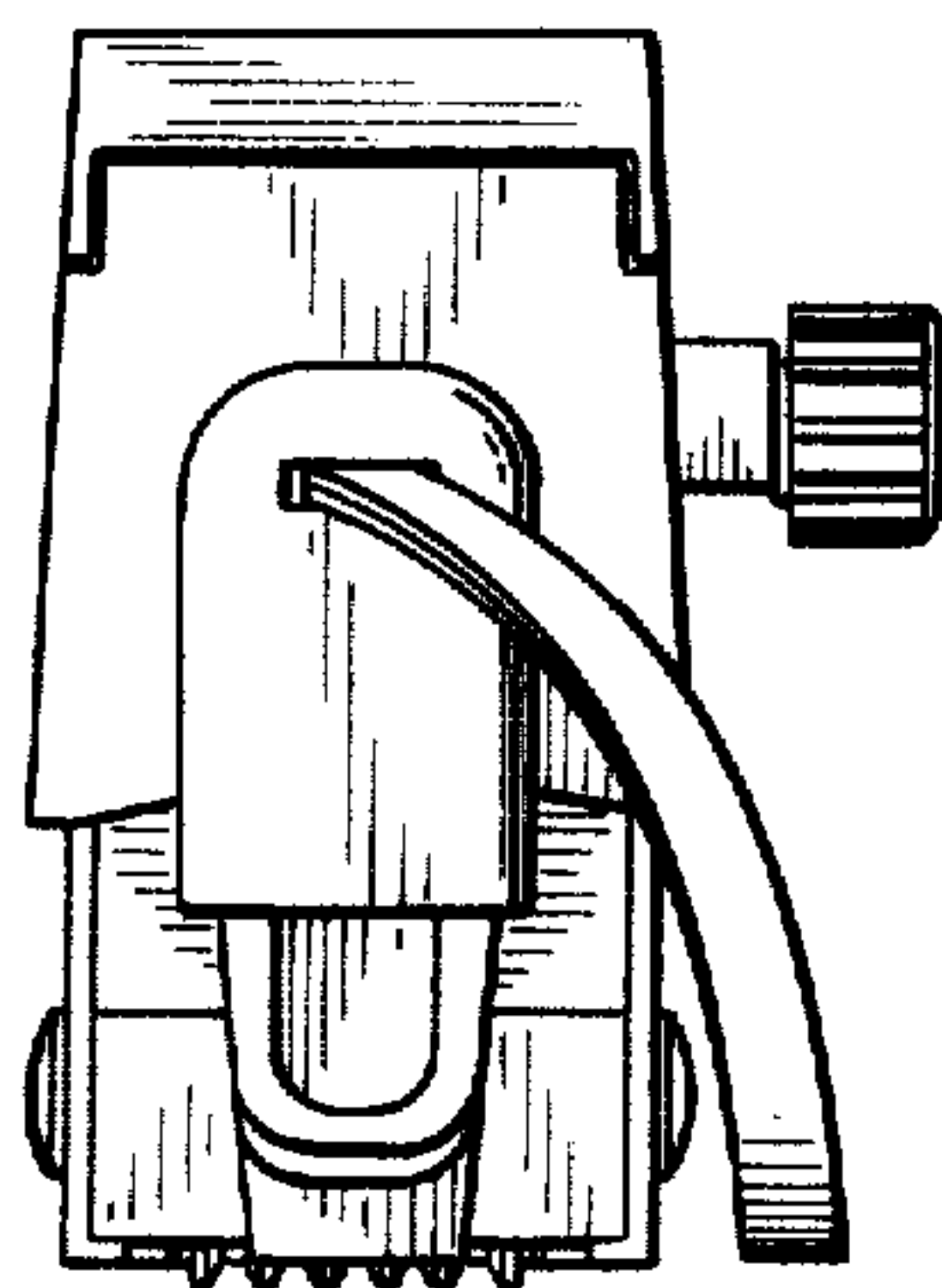


FIG. 7

