

[54] RIBBON CARTRIDGE

[75] Inventors: Cornelius W. Christie, Fulton;
Samuel D. Cappotto, Syracuse, both
of N.Y.

[73] Assignee: SCM Corporation, New York, N.Y.

[**] Term: 14 Years

[21] Appl. No.: 191,608

[22] Filed: Sep. 29, 1980

[51] Int. Cl. D18-01

[52] U.S. Cl. D18/12

[58] Field of Search D18/12, 1; D14/11;
400/207, 208, 196, 196.1

[56] References Cited

U.S. PATENT DOCUMENTS

- D. 212,619 11/1968 Merry et al. D14/11
- D. 223,098 3/1972 Catalano et al. D14/11
- D. 246,332 11/1977 Bellini D18/12

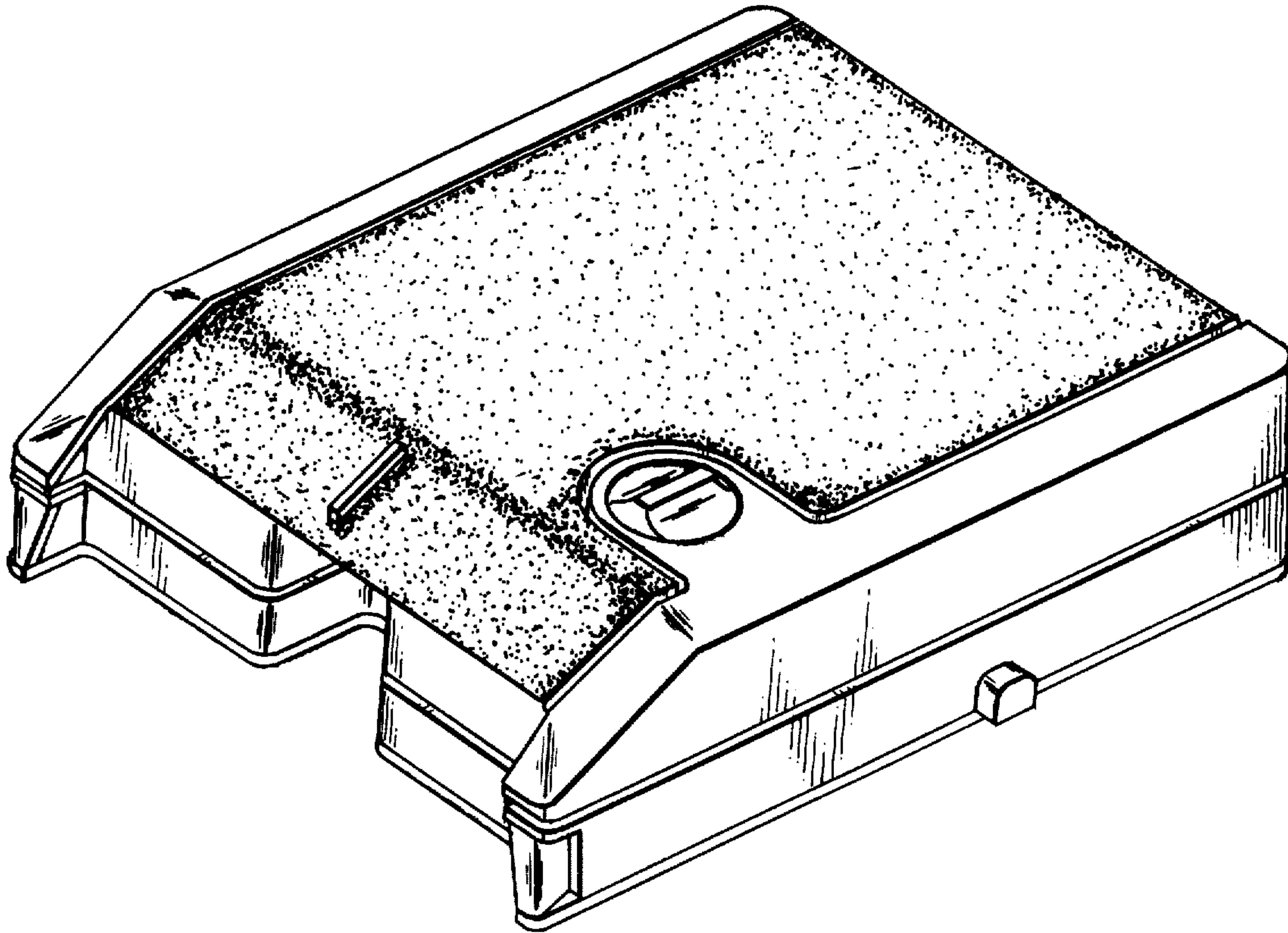
Primary Examiner—Melvin B. Feifer
Attorney, Agent, or Firm—William E. Mear, III; Ernest
F. Weinberger

[57] CLAIM

The ornamental design for a ribbon cartridge, as shown.

DESCRIPTION

FIG. 1 is a front perspective view of a ribbon cartridge showing our new design;
 FIG. 2 is a top plan view thereof;
 FIG. 3 is a right side elevational view thereof;
 FIG. 4 is a left side elevational view thereof;
 FIG. 5 is a front elevational view thereof;
 FIG. 6 is a rear elevational view thereof; and
 FIG. 7 is a bottom plan view thereof.



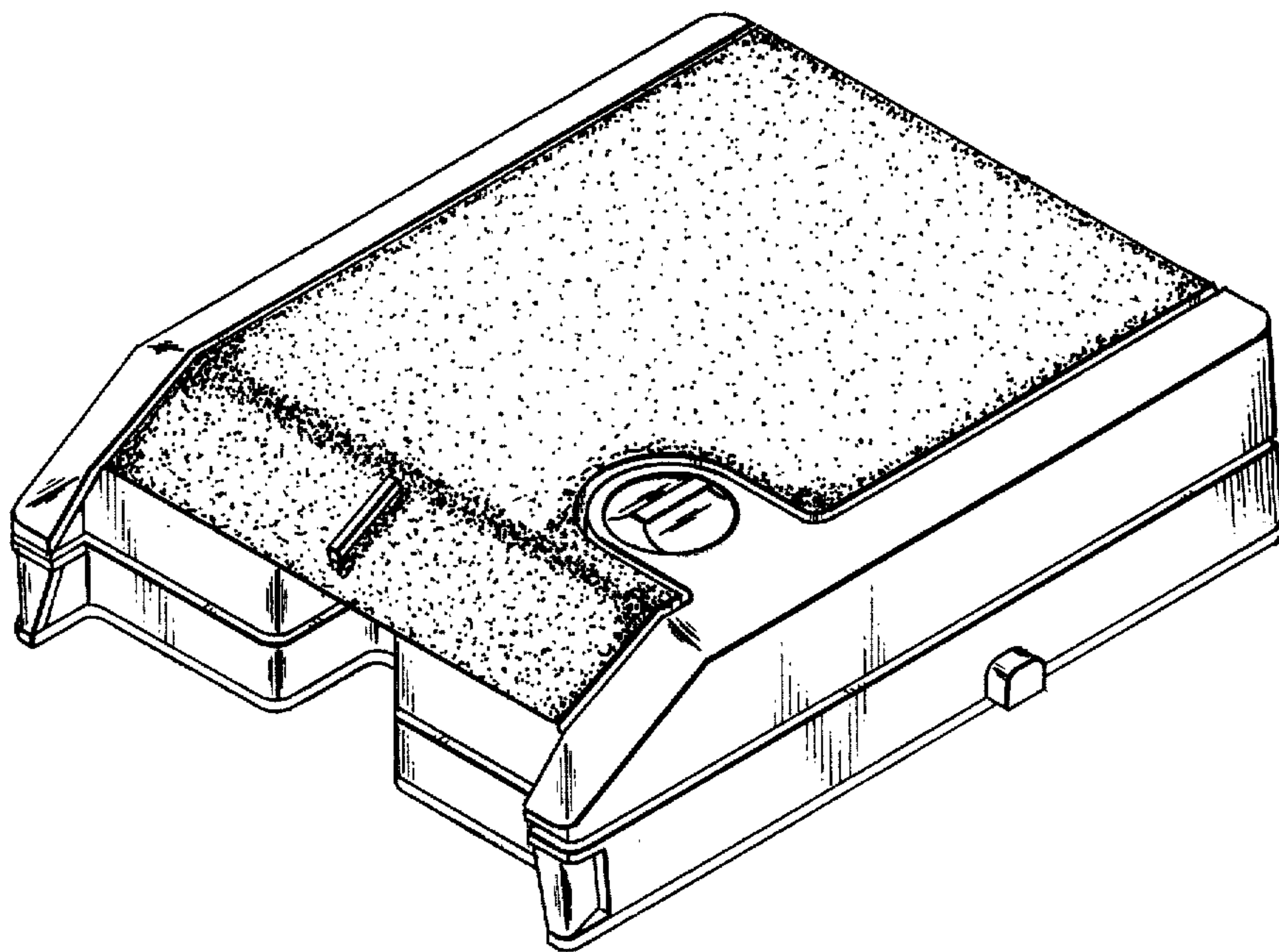


FIG 1

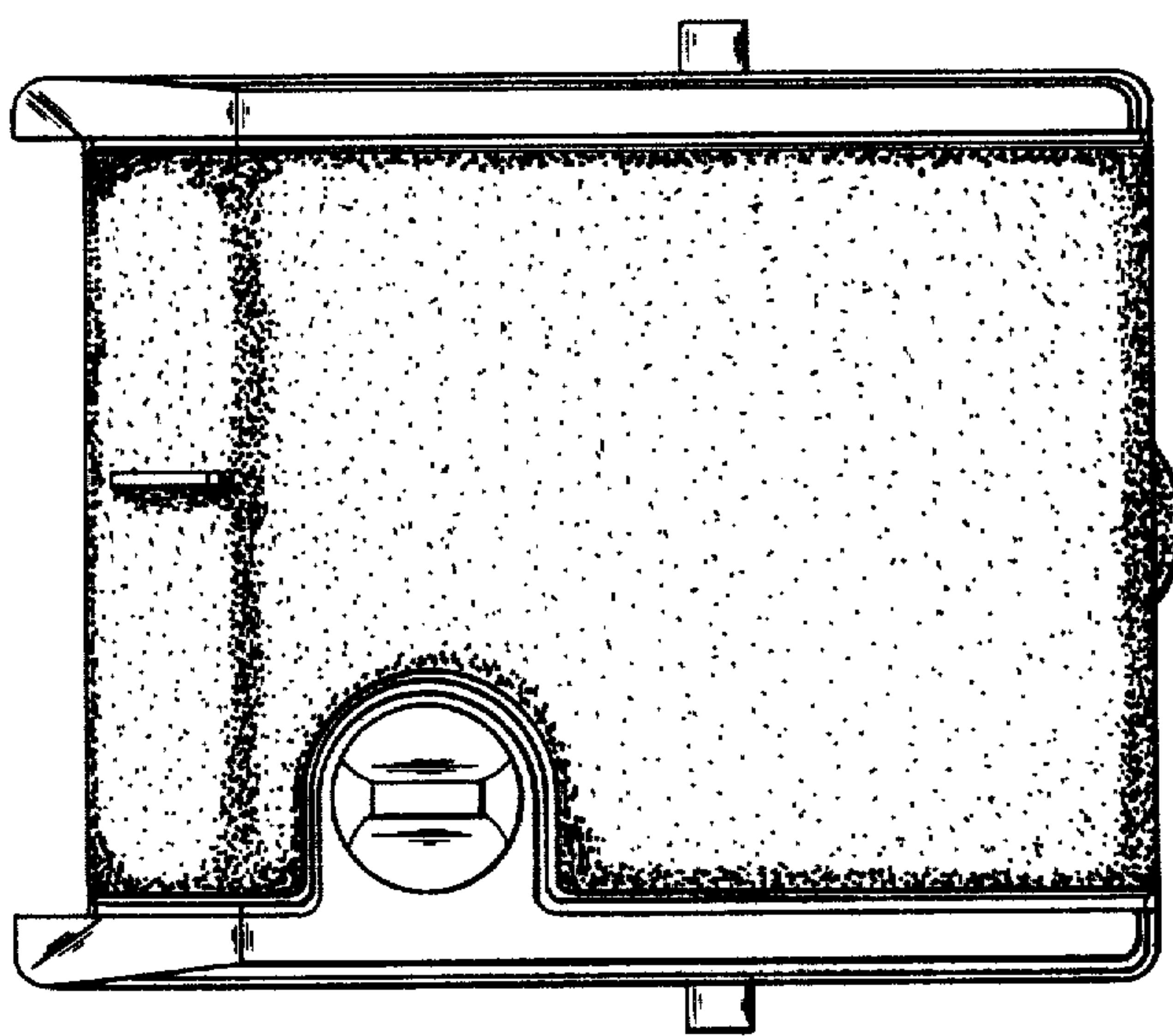


FIG 2

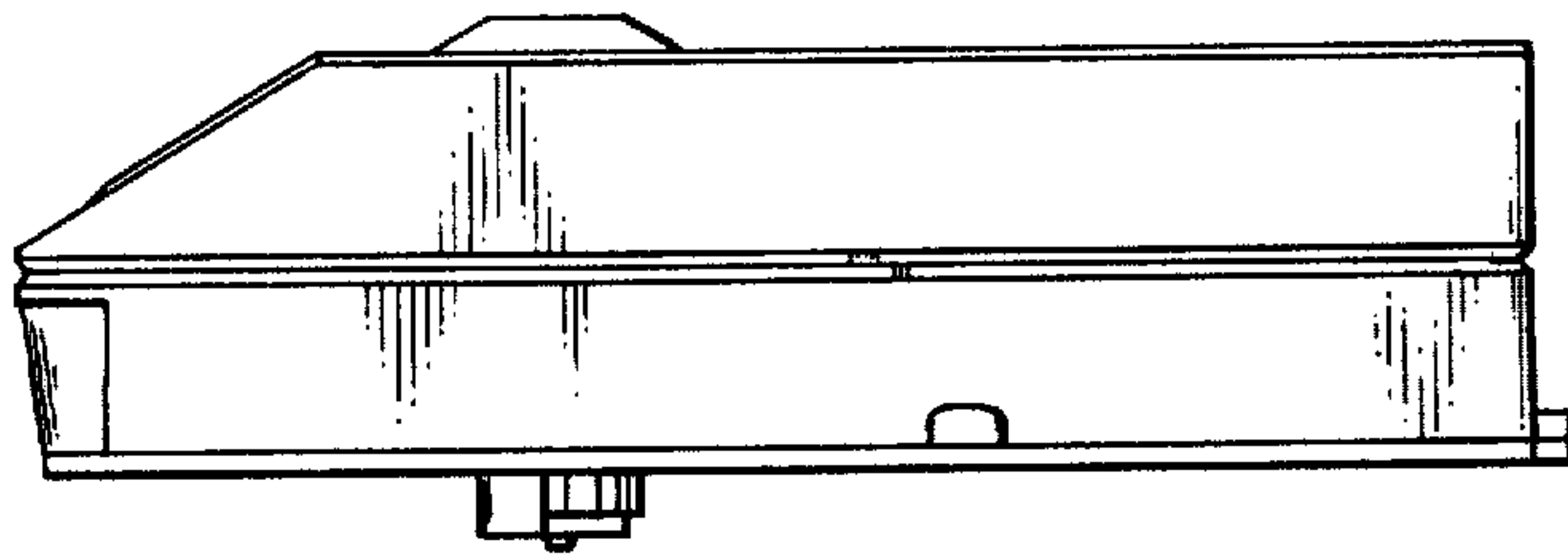


FIG 3

FIG 4

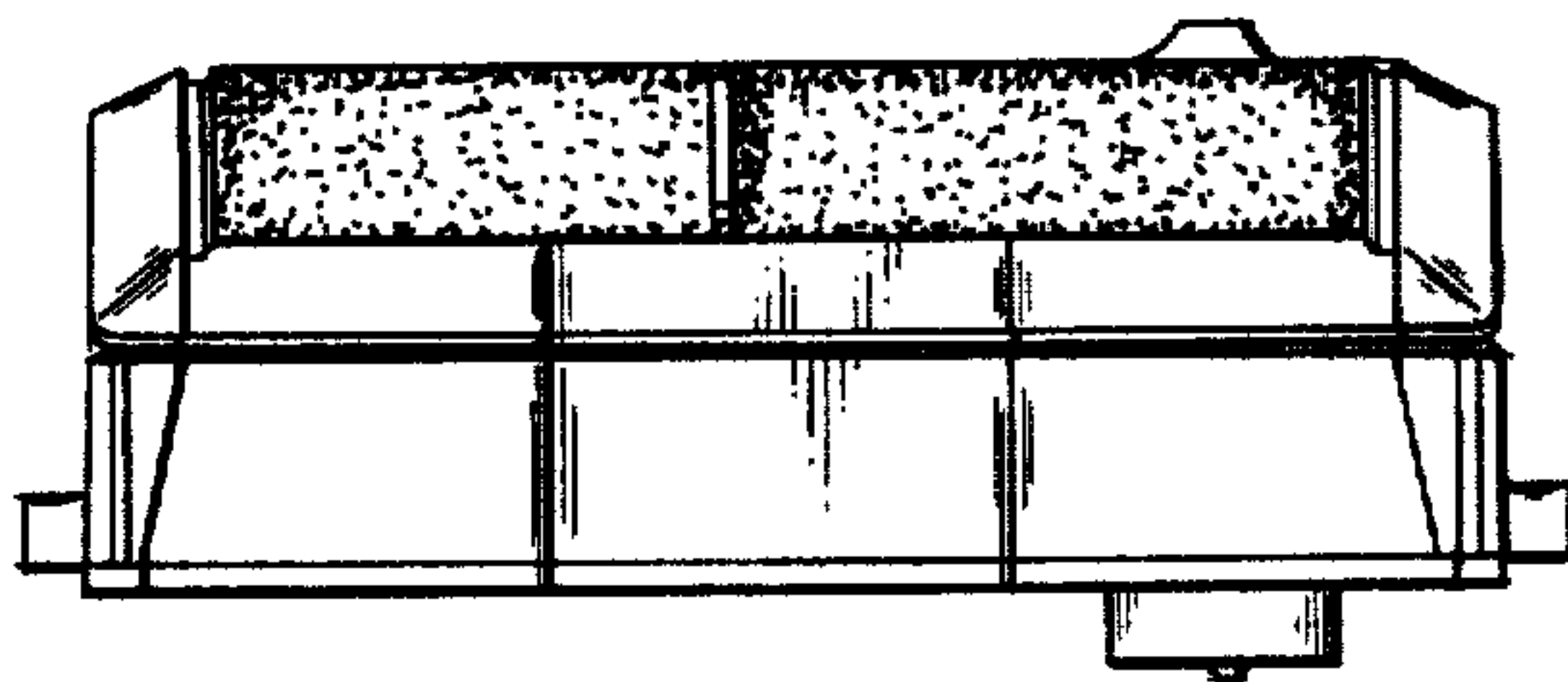
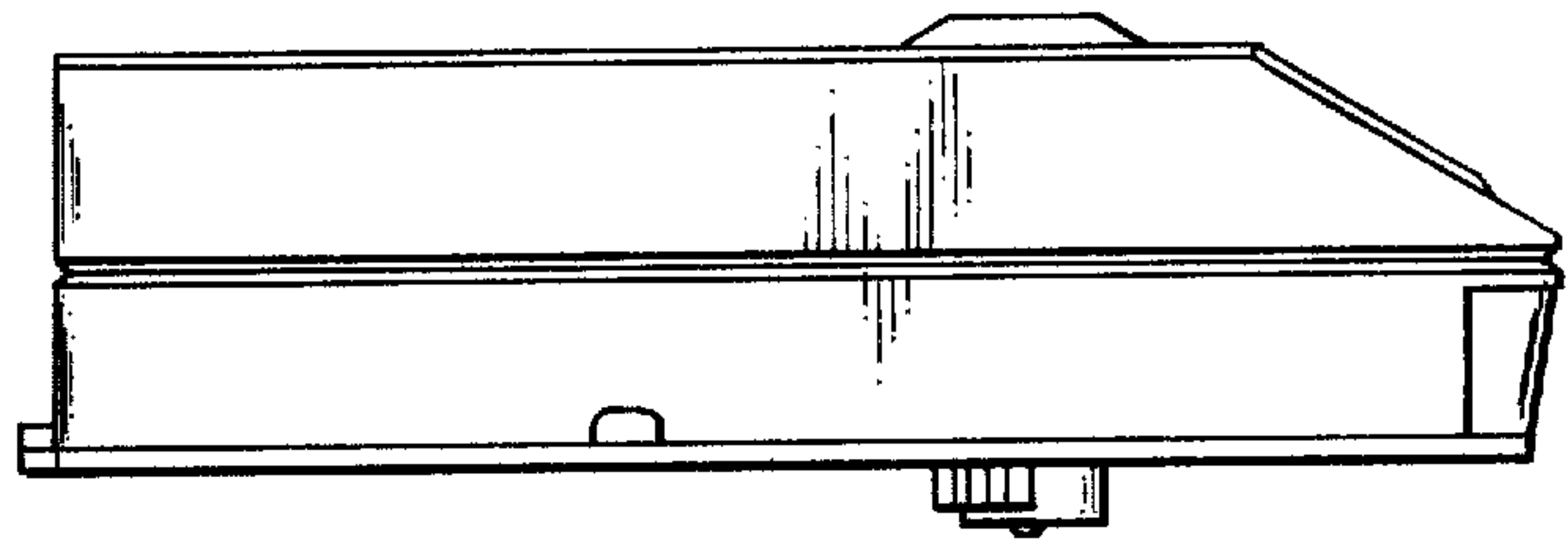


FIG 5

FIG 6

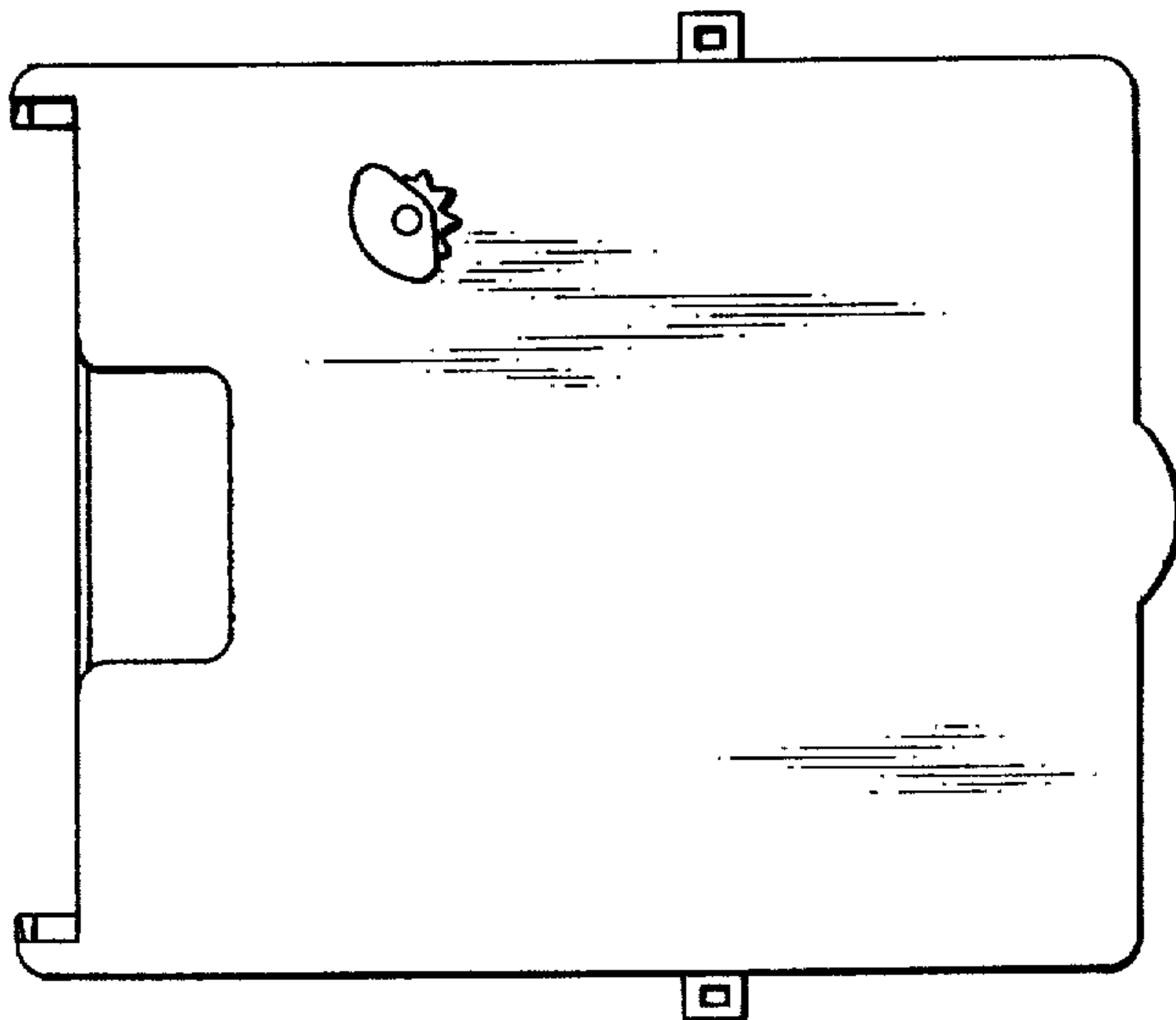
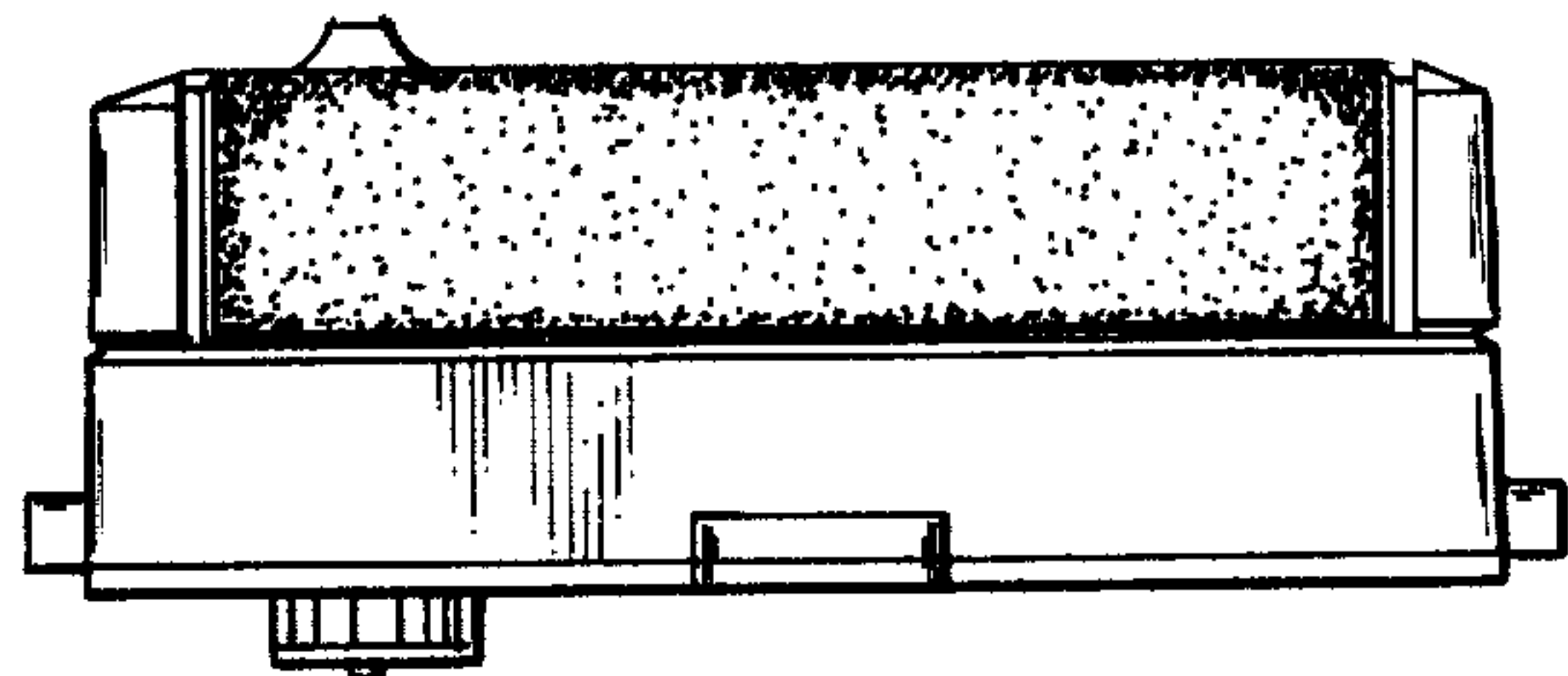


FIG 7