

[54] LATHE TOOL HOLDER

[76] Inventor: Howard A. Treloar, P.O. Box 86, Clarence Gardens, South Australia, Australia, 5039

[**] Term: 14 Years

[21] Appl. No.: 85,515

[22] Filed: Oct. 17, 1979

[30] Foreign Application Priority Data

Apr. 23, 1979 [AU] Australia 77676

[51] Int. Cl. D15-09

[52] U.S. Cl. D15/140

[58] Field of Search D15/140; 29/39-41; 407/66, 102

[56] References Cited

U.S. PATENT DOCUMENTS

D. 232,761	9/1974	Lanese	D15/140
D. 232,762	9/1974	Lanese	D15/140
D. 233,627	11/1974	Waddell	D15/140
D. 255,801	7/1980	Treloar	D15/140
2,409,936	10/1946	Hunt	D15/140
3,028,657	4/1962	Almen	407/102

Primary Examiner—B. J. Bullock

Attorney, Agent, or Firm—Robert E. Burns; Emmanuel J. Lobato; Bruce L. Adams

[57] CLAIM

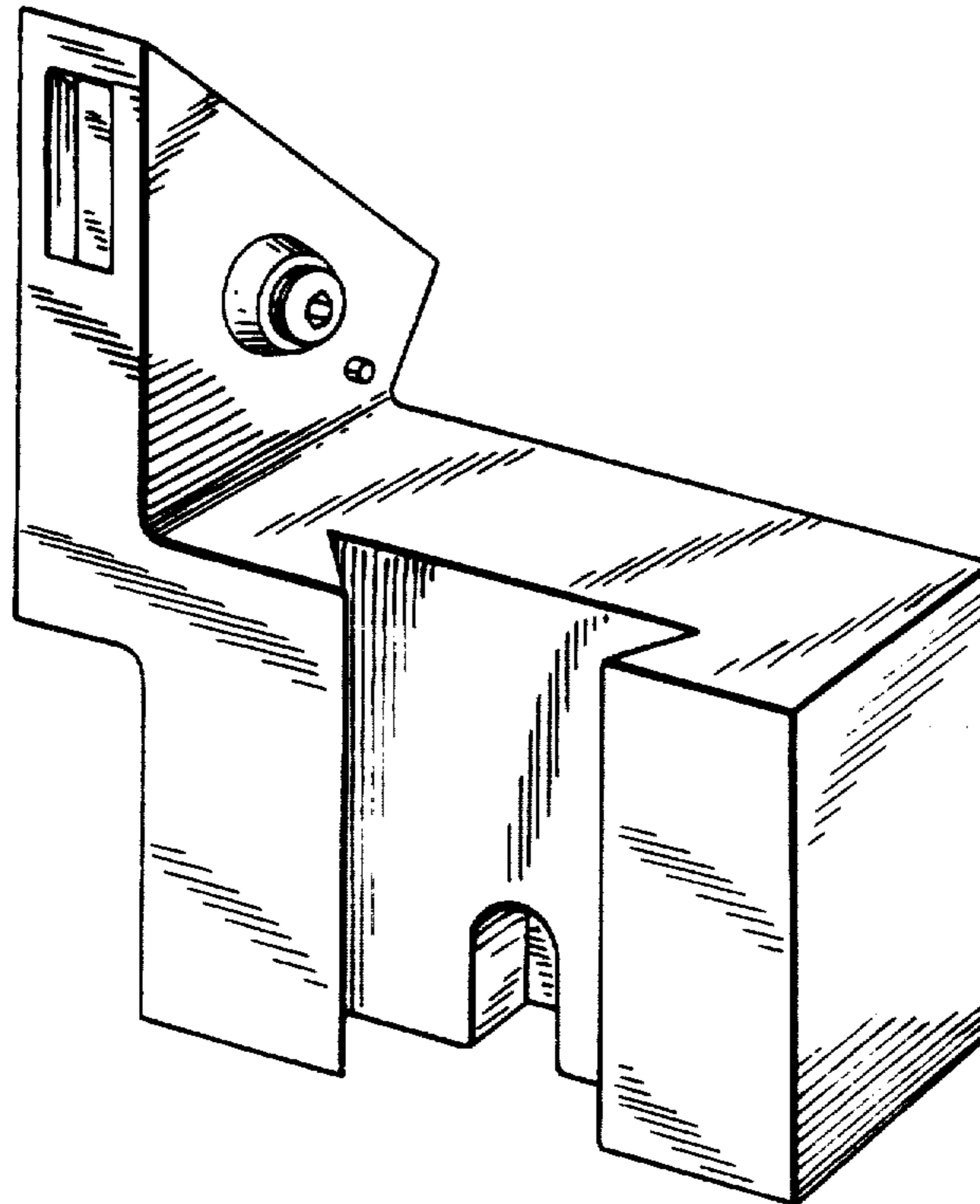
The ornamental design for a lathe tool holder, as shown.

DESCRIPTION

FIG. 1 is a front top perspective view of a lathe tool holder showing my new design;

FIG. 2 is a rear top perspective view thereof; and,

FIG. 3 is a rear bottom perspective view thereof.



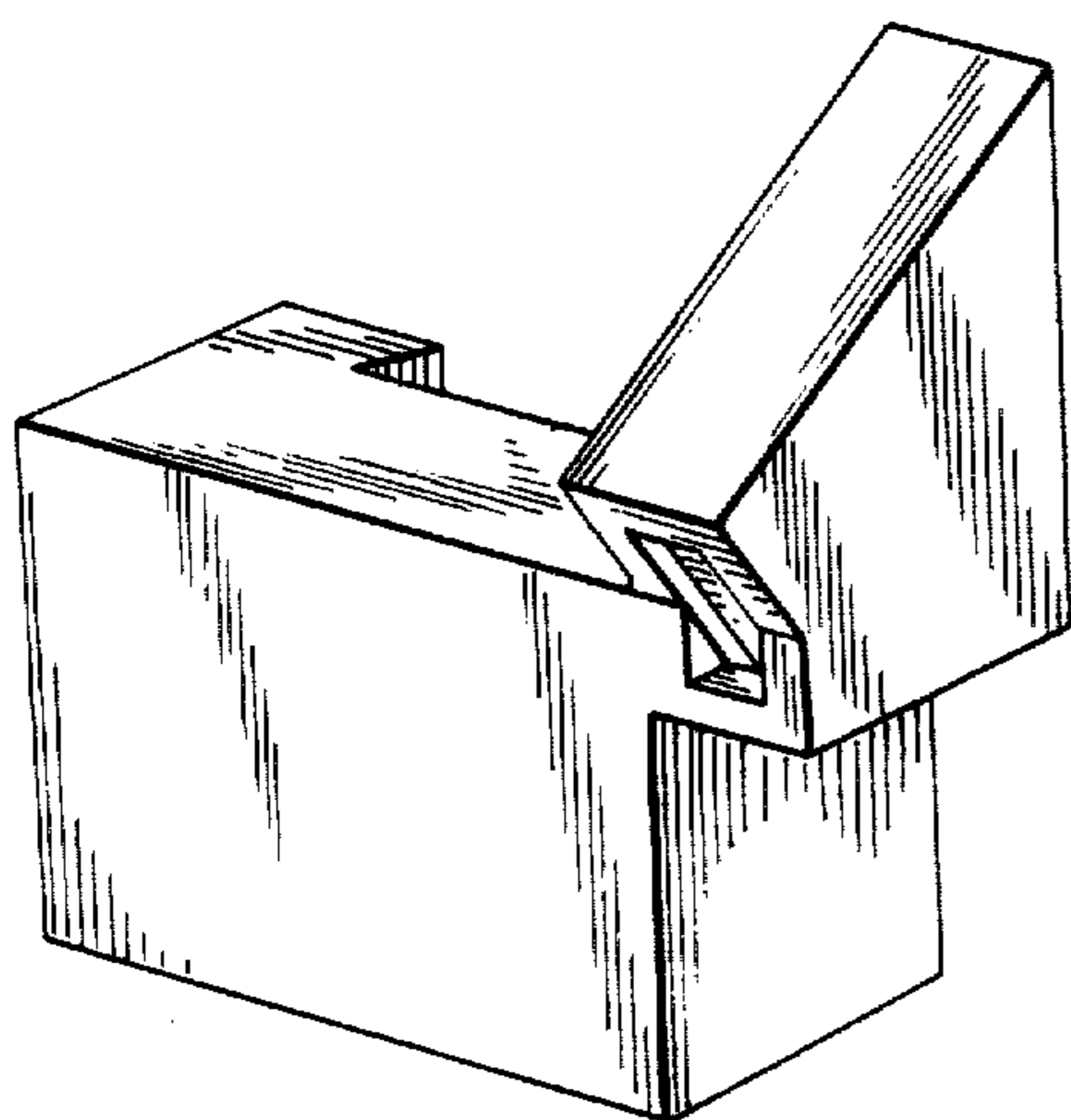


FIG. 1

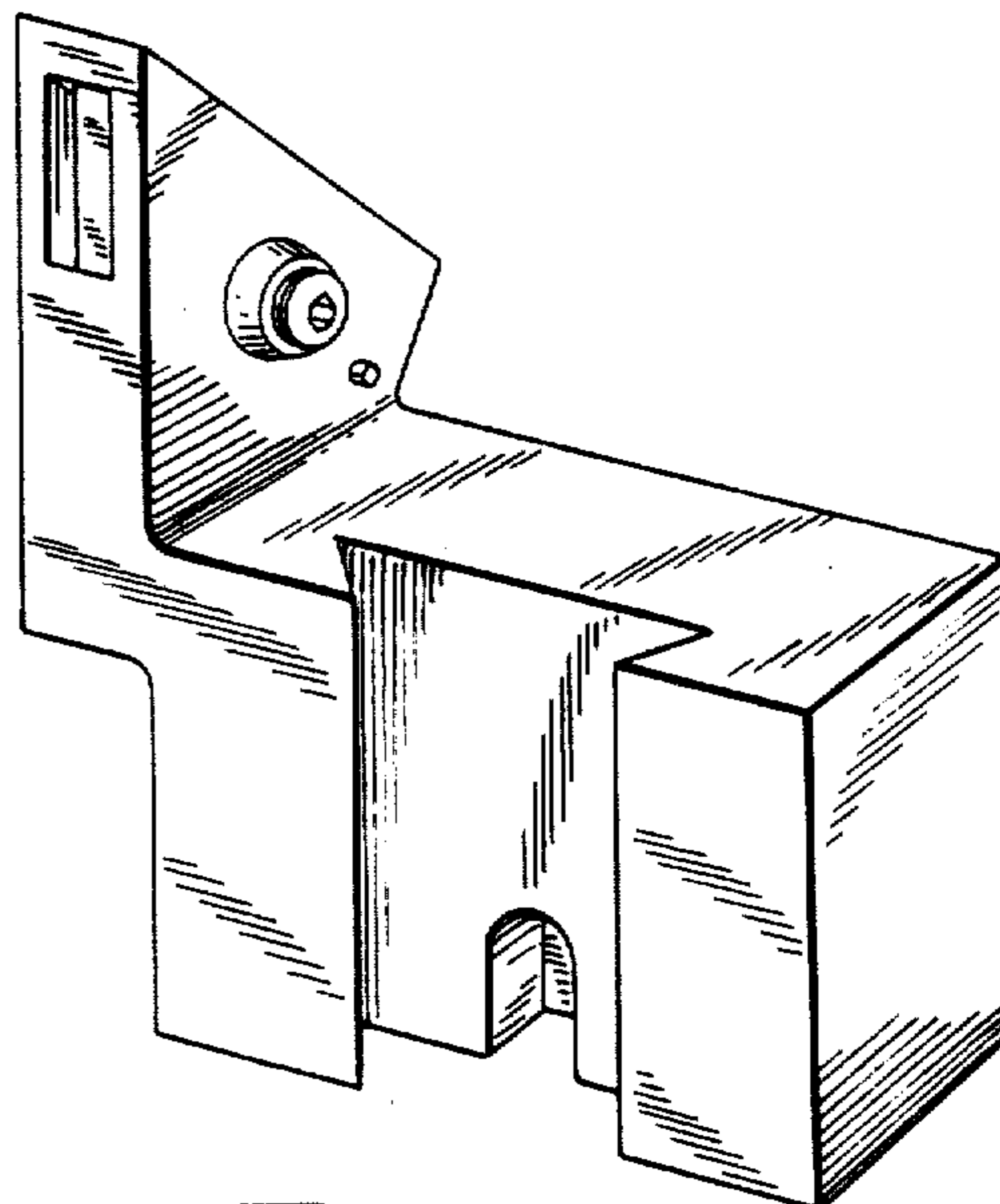


FIG. 2

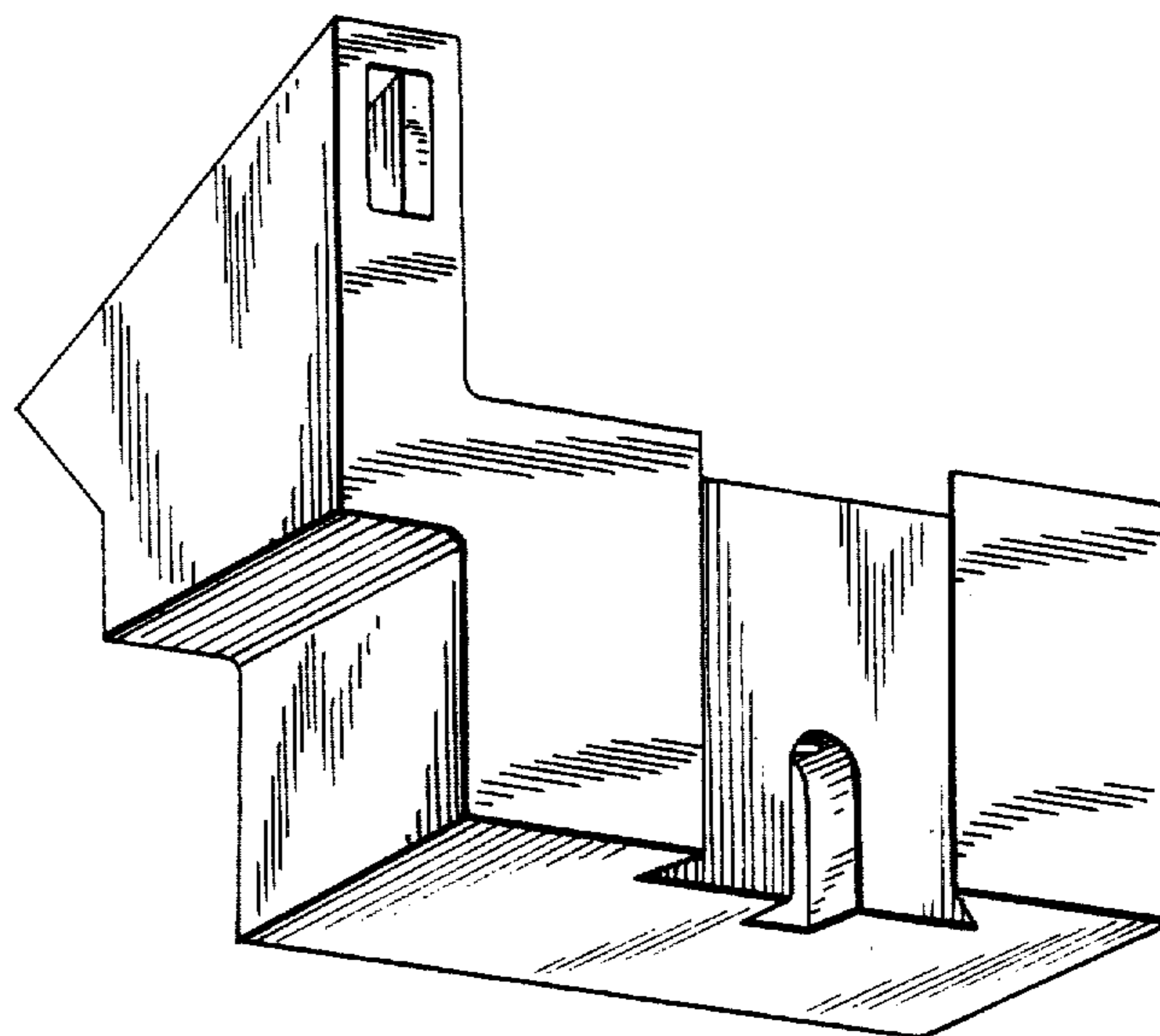


FIG. 3