

[54] COMBINED HARDWARE PRESS AND PUNCH MACHINE

[76] Inventor: Virgil J. Haeger, 3081 Melchester Dr., San Jose, Calif. 95132

[**] Term: 14 Years

[21] Appl. No.: 164,075

[22] Filed: Jun. 30, 1980

[51] Int. Cl. D15-09
[52] U.S. Cl. D15/128; D15/122
[58] Field of Search D15/122, 123, 128; 29/708, 26 A, 34 R

[56] References Cited
U.S. PATENT DOCUMENTS

D. 179,814 3/1957 Munschauer D15/123
D. 203,626 2/1966 Donald D15/128

D. 208,584 9/1967 Susskind D15/128
D. 238,703 2/1976 Rawson D15/128

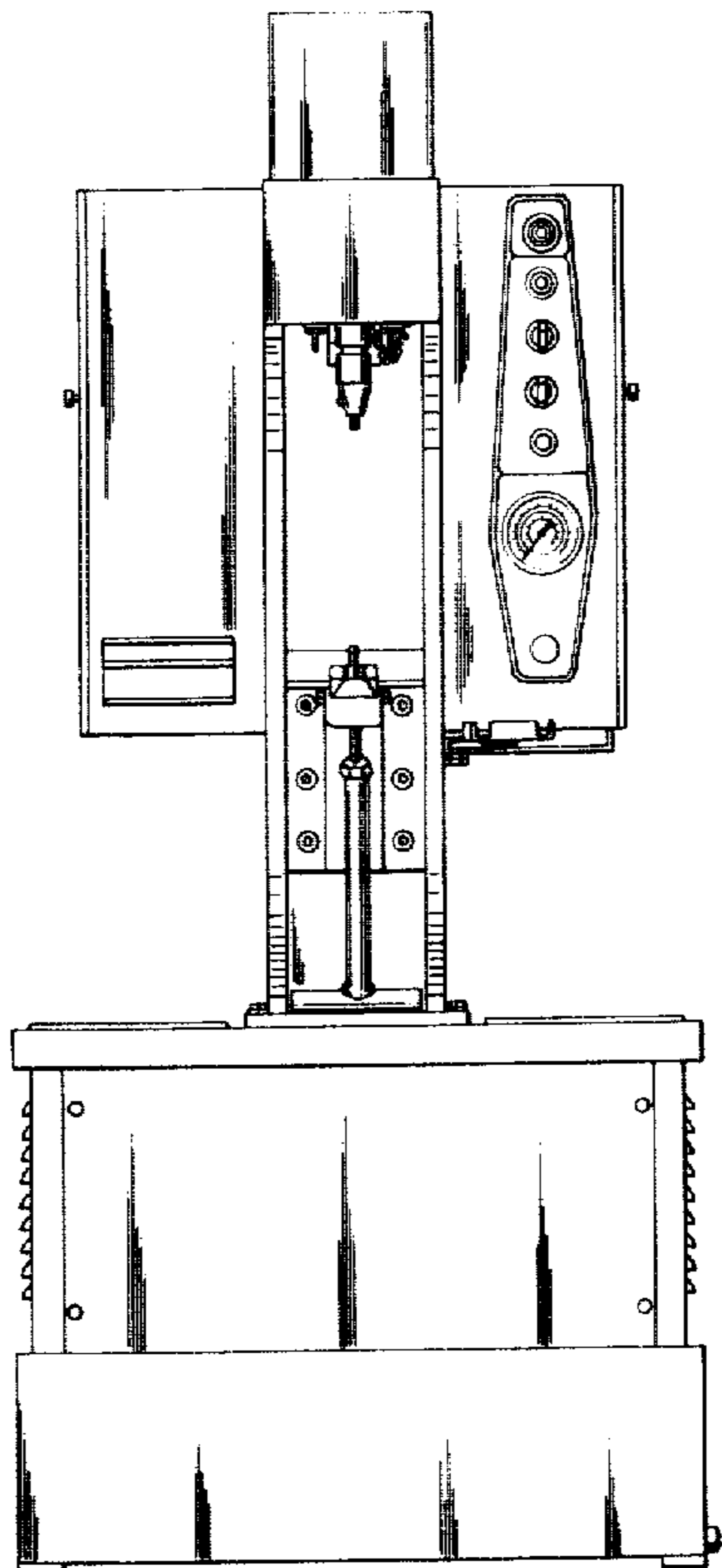
Primary Examiner—B. J. Bullock
Attorney, Agent, or Firm—John J. Leavitt

[57] CLAIM

The ornamental design for a combined hardware press and punch machine, substantially as shown and described.

DESCRIPTION

FIG. 1 is a front elevational view of a combined hardware press and punch machine showing my new design; FIG. 2 is a side elevational view taken from the right of FIG. 1; FIG. 3 is a side elevational view taken from the left of FIG. 1; FIG. 4 is a rear elevational view thereof; FIG. 5 is a top plan view thereof; and FIG. 6 is a bottom plan view thereof.



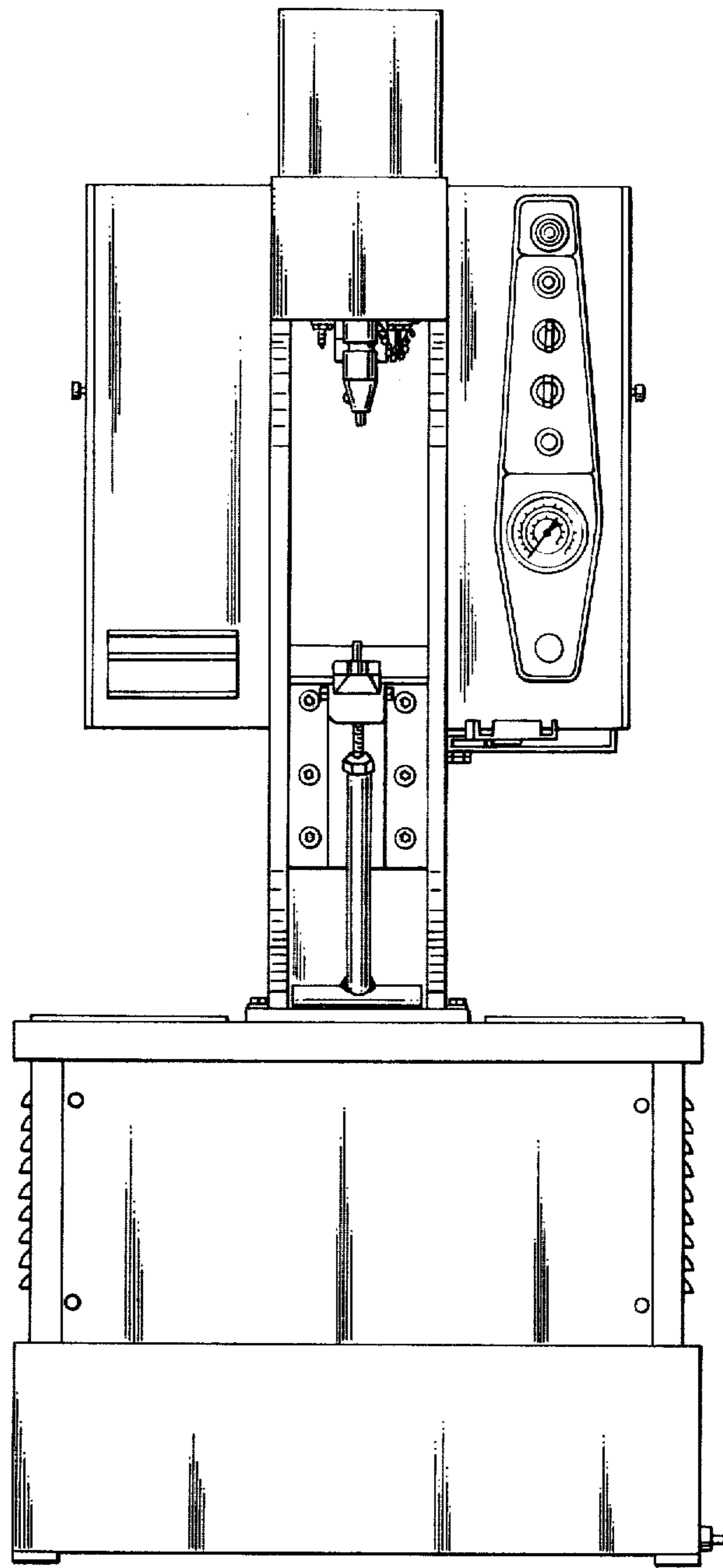


FIG. 1

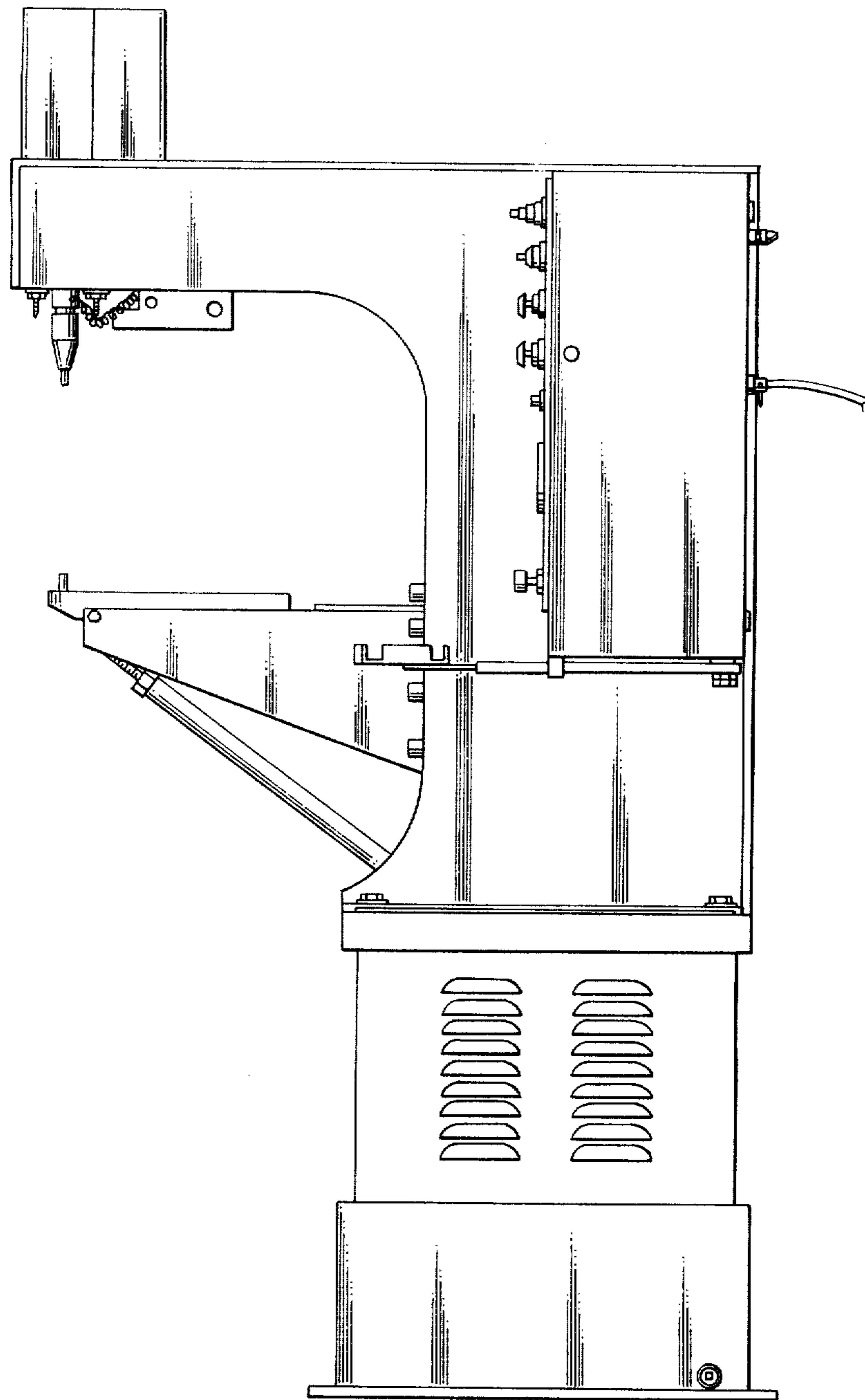


FIG. 2

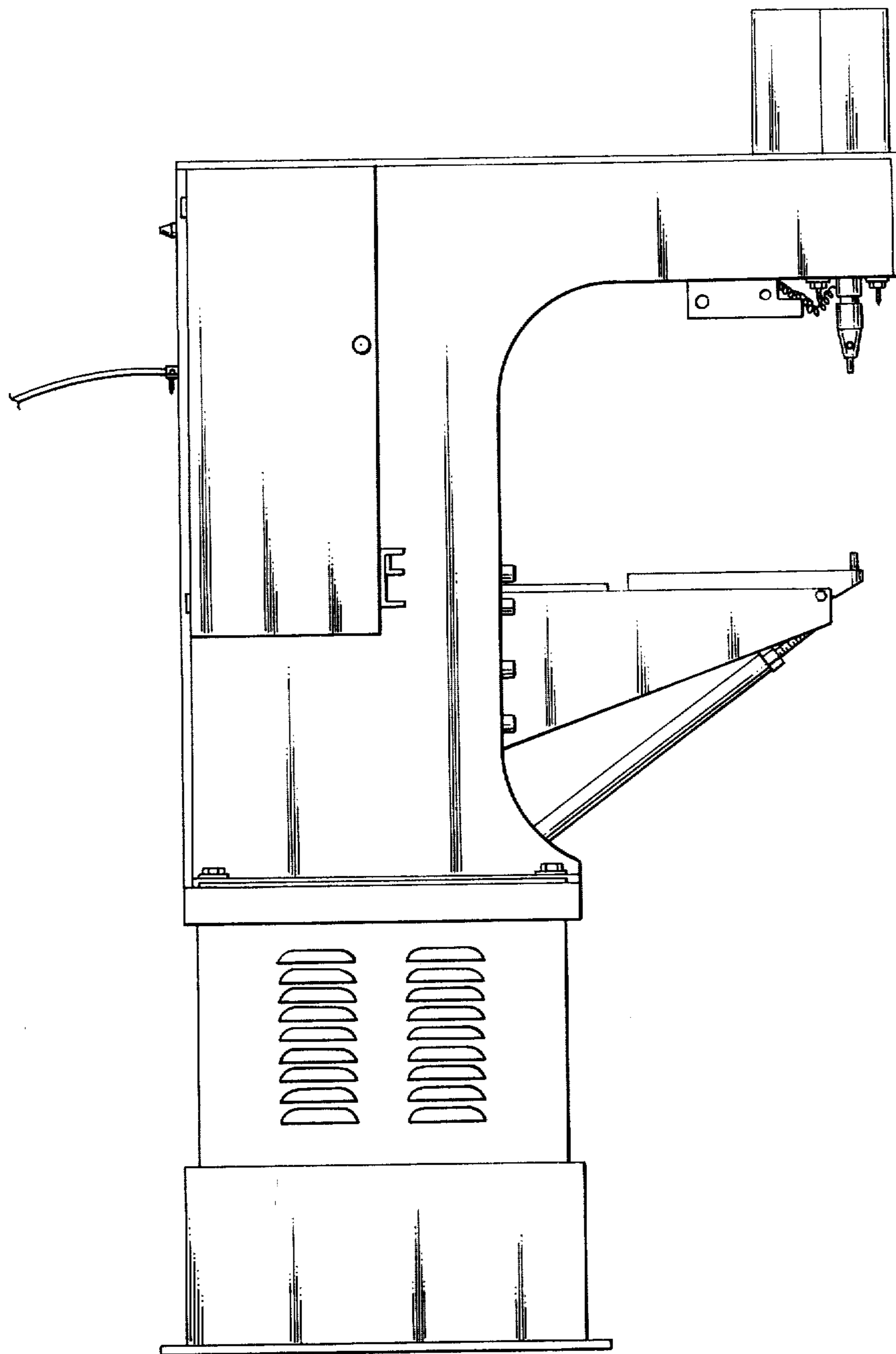


FIG. 3

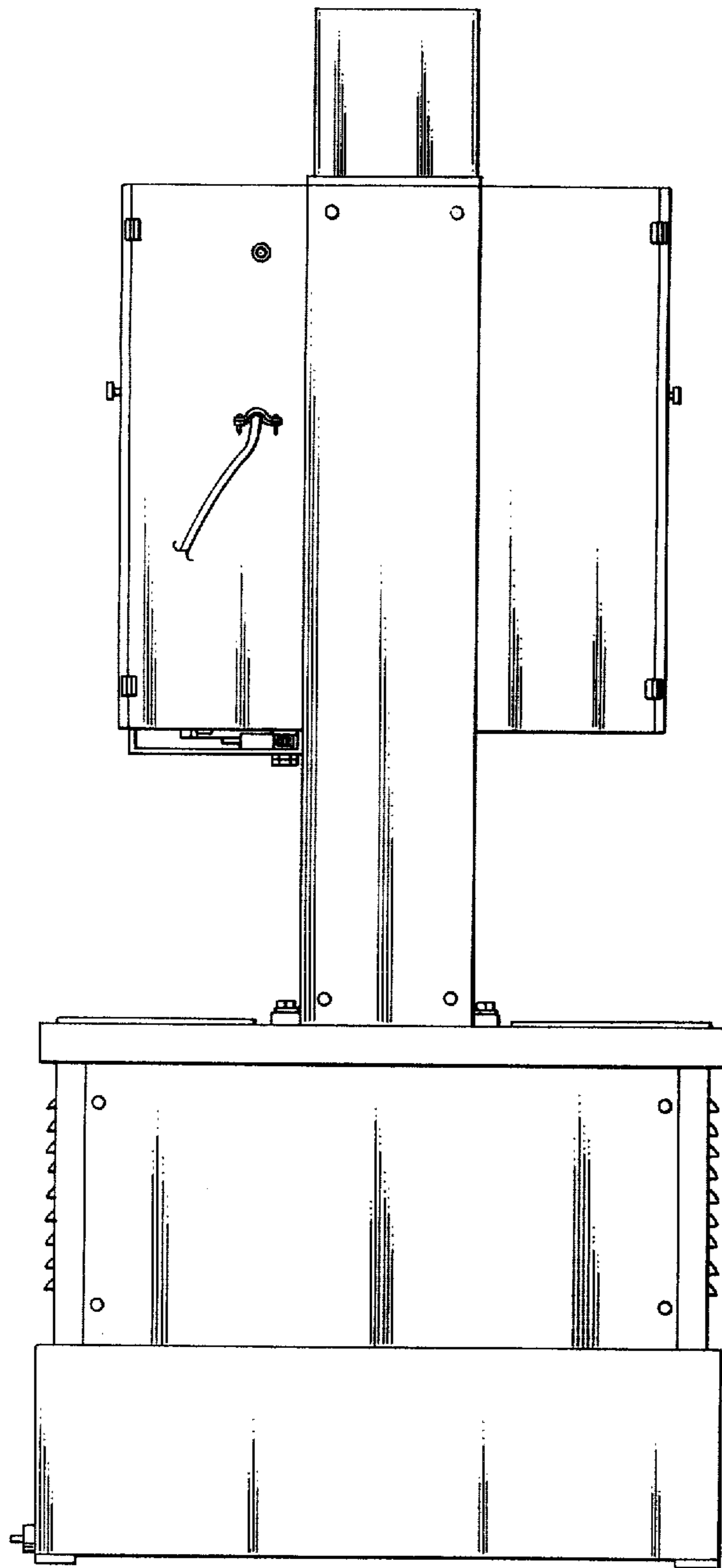


FIG. 4

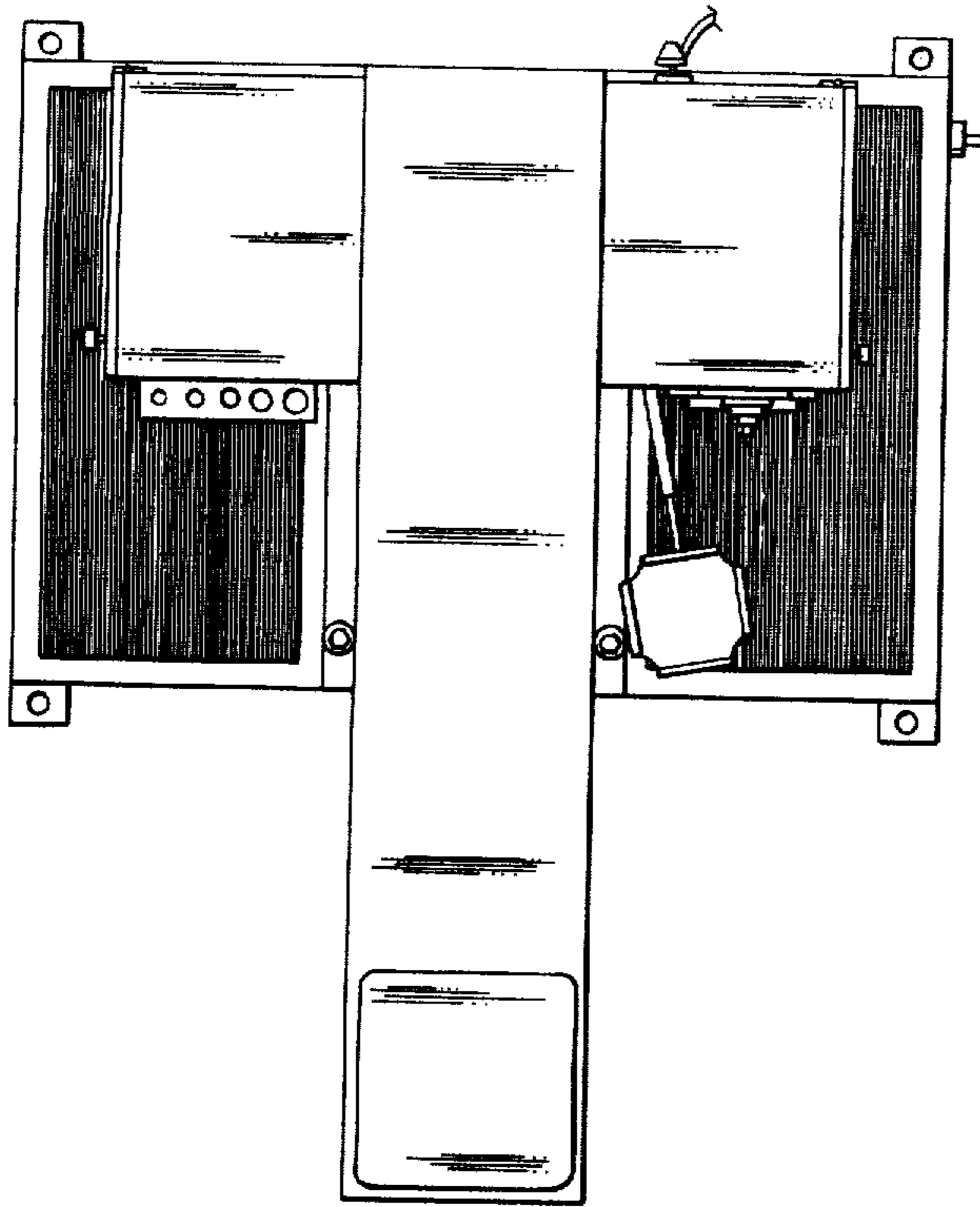


FIG. 5

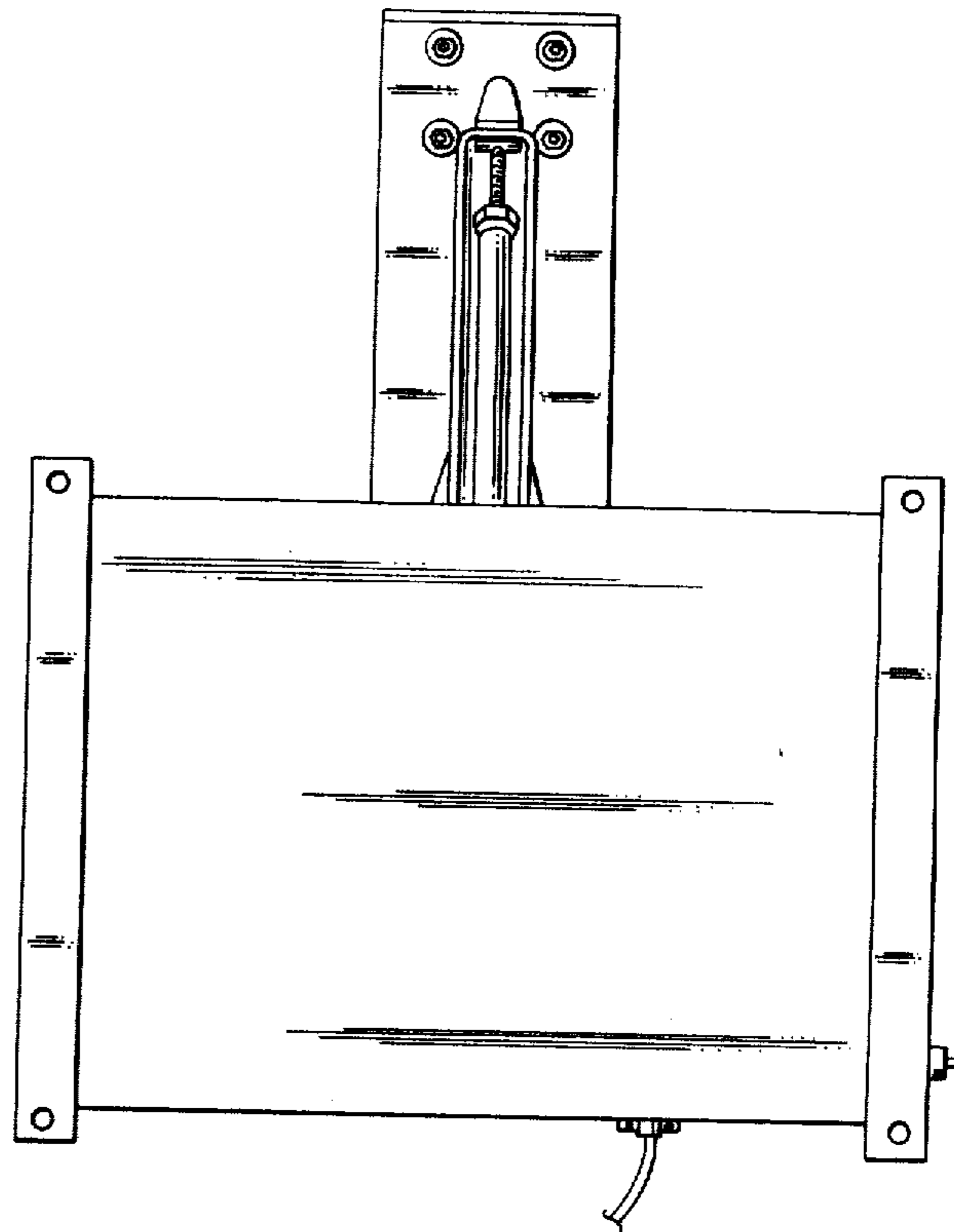


FIG. 6