

[54] DEBRIS RECEPTACLE

[75] Inventors: Ronald L. Messenger, Auburn; Gary M. Dodds, Grass Valley, both of Calif.

[73] Assignee: Lucille W. Daniel, San Leandro, Calif.

[**] Term: 14 Years

[21] Appl. No.: 127,215

[22] Filed: Mar. 4, 1980

[51] Int. Cl. D7-05

[52] U.S. Cl. D32/74

[58] Field of Search D7/186; 15/257.1, 257.2, 15/257.8, 257.9; 294/49, 54-59

[56] References Cited

U.S. PATENT DOCUMENTS

- D. 180,303 5/1957 Timmons D7/186
- D. 254,286 2/1980 Daniel D7/186

3,156,941 11/1964 Tomaiuolo 15/257.1

Primary Examiner—Catherine E. Kemper
Attorney, Agent, or Firm—G. W. Wasson

[57] CLAIM

The ornamental design for a debris receptacle, substantially as shown and described.

DESCRIPTION

FIG. 1 is a perspective view of a debris receptacle showing our new design;

FIG. 2 is a top plan view thereof shown on a smaller scale;

FIG. 3 is a front elevational view thereof;

FIG. 4 is a side elevational view thereof;

FIG. 5 is a back elevational view thereof;

FIG. 6 is a bottom plan view thereof;

FIG. 7 is a sectional view thereof taken along lines 7—7 of FIG. 2;

FIG. 8 is a sectional view thereof taken along lines 8—8 of FIG. 2.

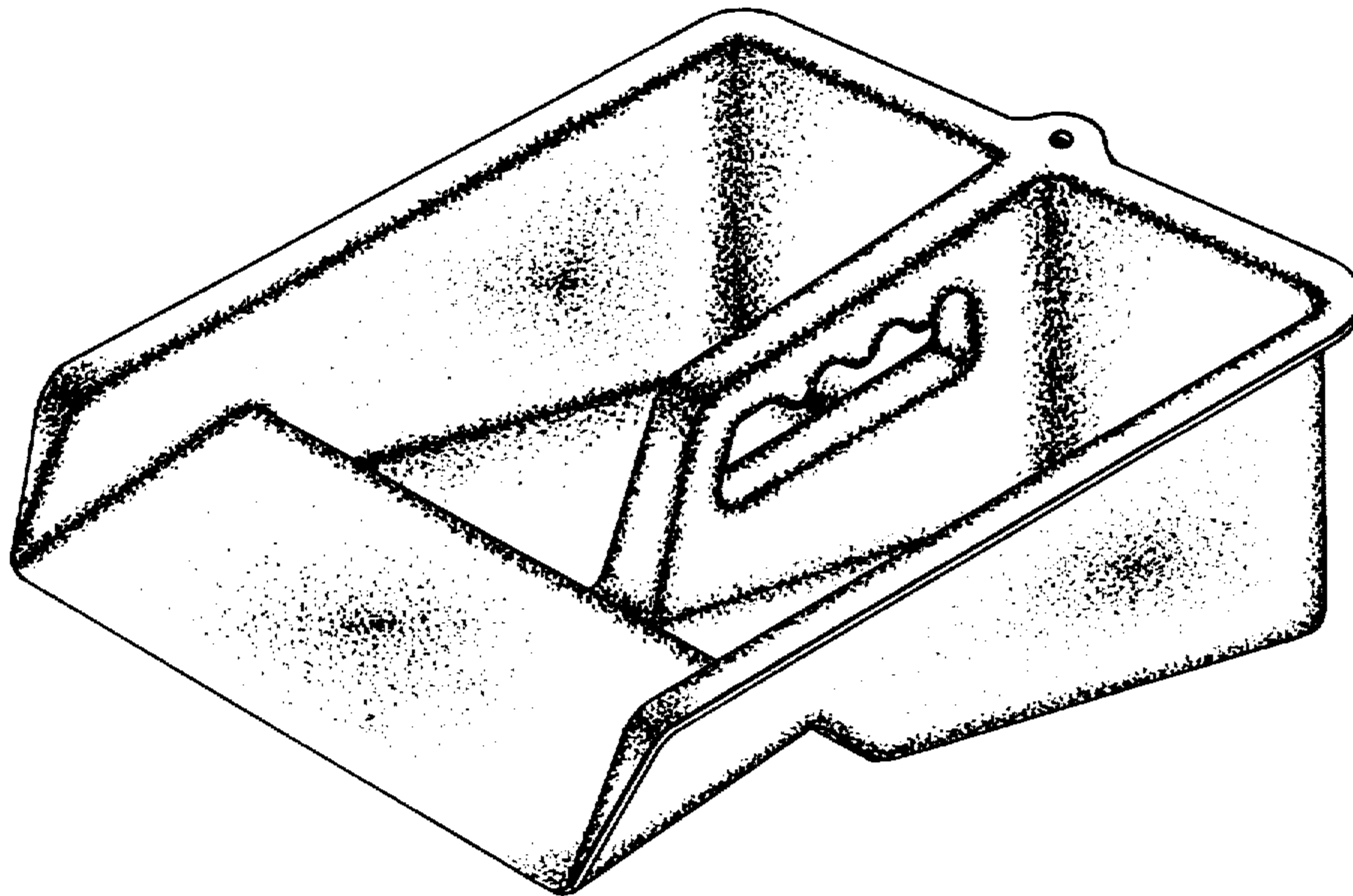


FIG _ 1

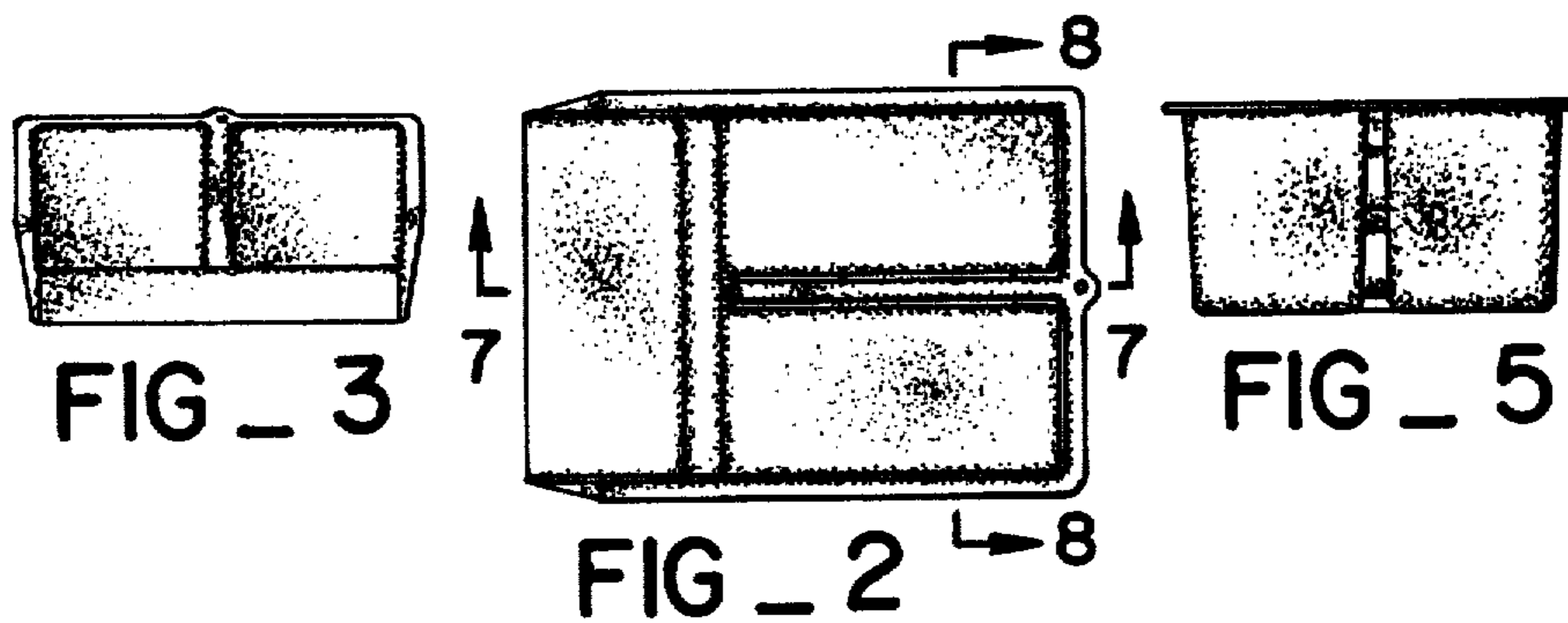
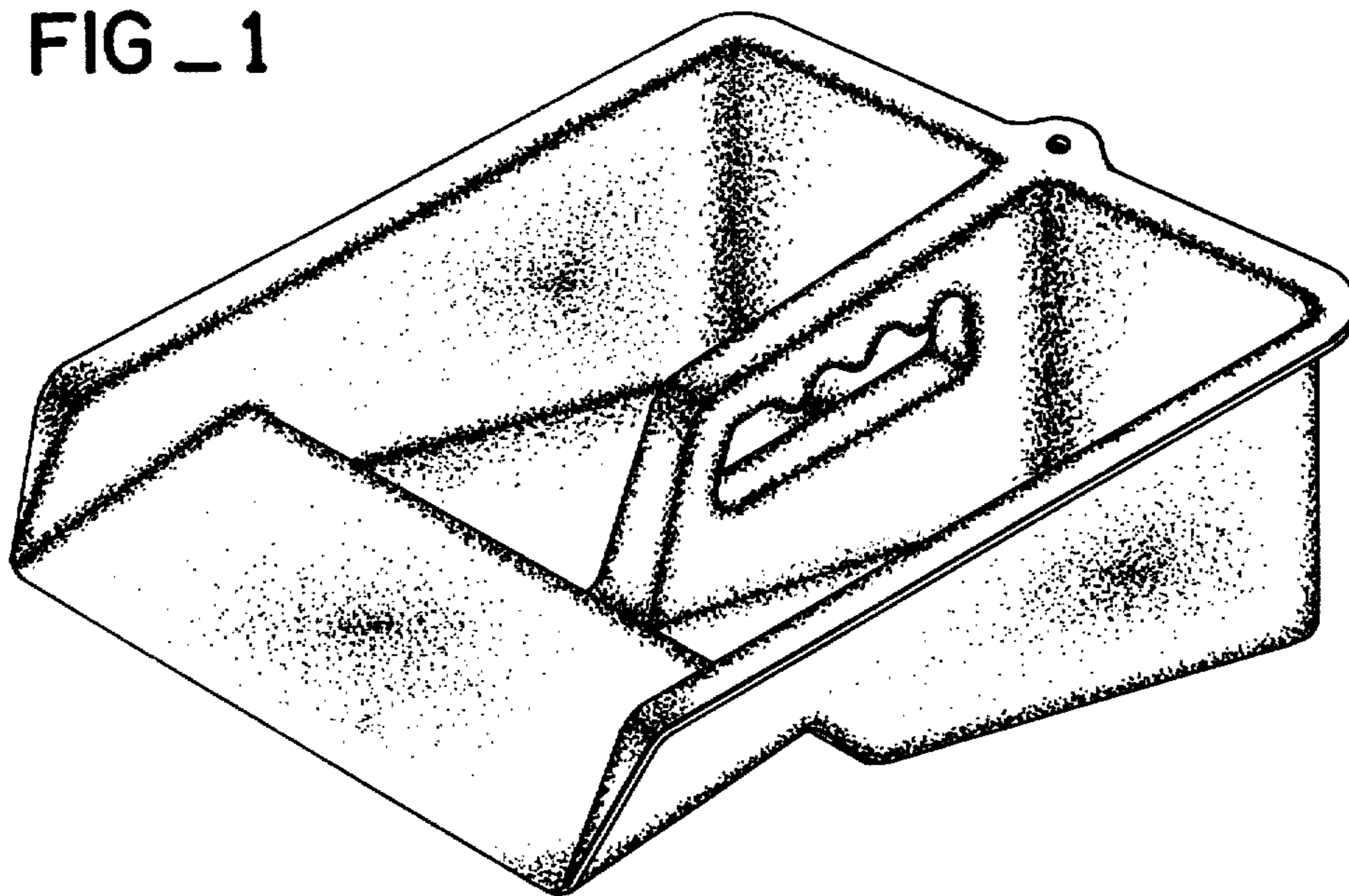


FIG _ 4



FIG _ 7

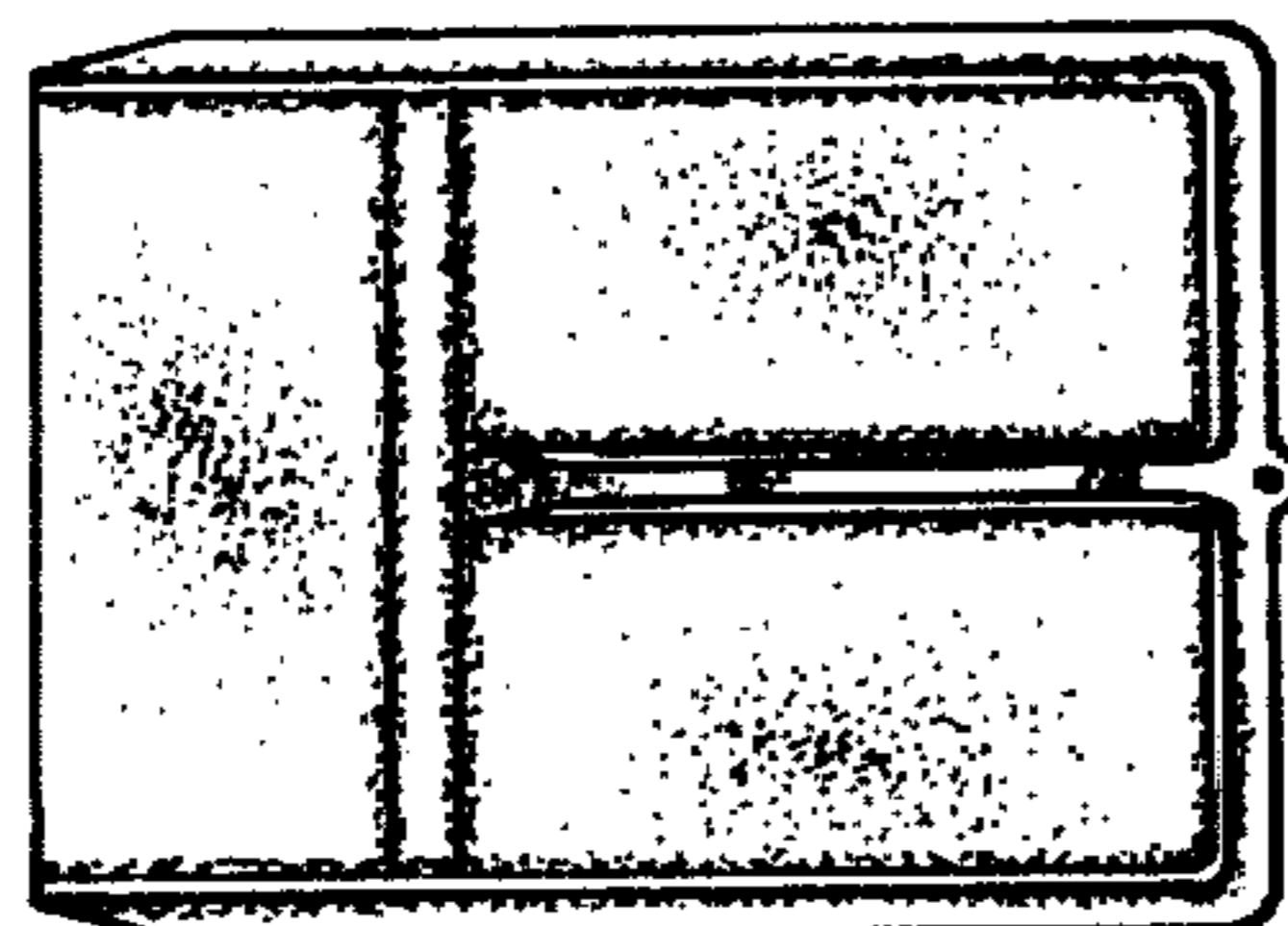


FIG _ 6

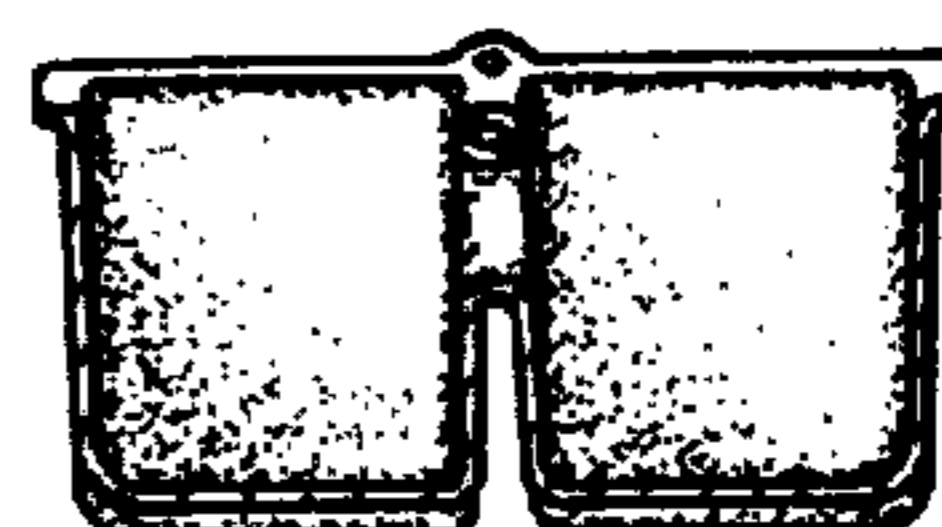


FIG _ 8