

[54] HANDLE FOR A COOKING OR HEATING UTENSIL

[75] Inventor: Steven R. Groner, Glen Ellyn, Ill.

[73] Assignee: Sunbeam Corporation, Chicago, Ill.

[**] Term: 14 Years

[21] Appl. No.: 155,805

[22] Filed: May 30, 1980

[51] Int. Cl. D7-02

[52] U.S. Cl. D7/132; D7/94

[58] Field of Search 16/114 A, 110.5, 110 A, 16/114 A; D7/130, 132, 94, 97, 87; D15/104; 220/94 R

[56] References Cited

U.S. PATENT DOCUMENTS

- D. 195,688 7/1963 De Fano D7/132
- D. 196,131 8/1963 Becker D7/94
- D. 197,243 12/1963 Ernest D7/94
- D. 205,150 6/1966 Cornwell, Jr. et al. D7/94
- D. 229,819 1/1974 Hall D7/130
- D. 250,448 12/1978 Boldt et al. D7/94
- 3,547,307 12/1970 Barker 16/114 A X

3,685,092 8/1972 Cook 16/114 A
3,920,147 11/1975 Hiatt 16/114 A X

Primary Examiner—Winifred E. Herrmann
Attorney, Agent, or Firm—George R. Clark; Neil M. Rose; Allen J. Hoover

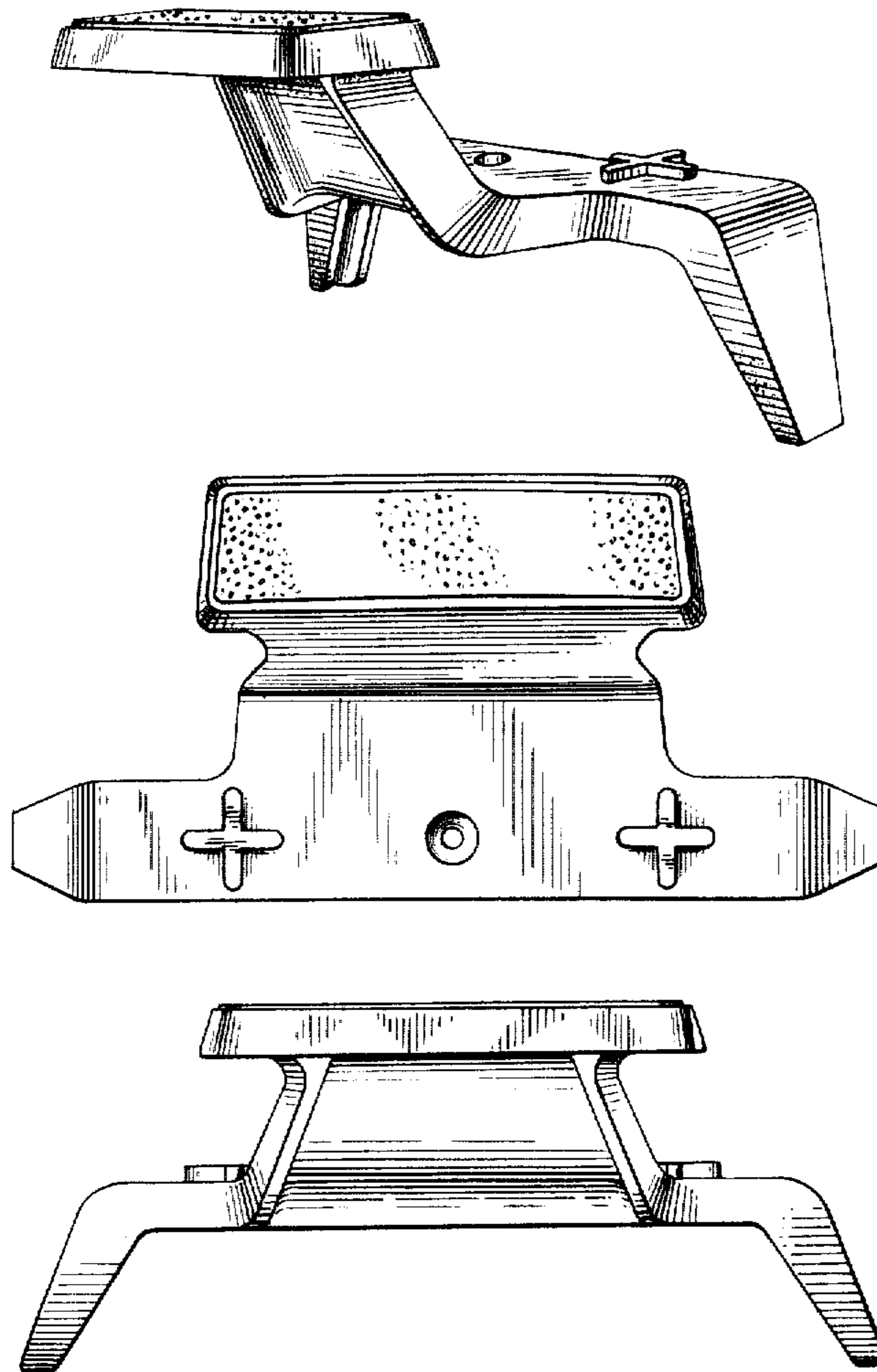
[57] CLAIM

The ornamental design for a handle for a cooking or heating utensil, as shown and described.

DESCRIPTION

FIG. 1 is a top perspective view of a handle for a cooking or heating utensil showing my new design; FIG. 2 is a top plan view thereof; FIG. 3 is a left side elevational view thereof of FIG. 1; FIG. 4 is a front elevational view thereof of FIG. 1, the rear elevational view being a mirror image thereof; FIG. 5 is a right side elevational view thereof of FIG. 1; and FIG. 6 is a bottom plan view thereof.

An environmental use of said handle is exemplified in an application of Robert R. Nauheimer, William L. Lockett, and George D. Meyer for design patent entitled electric griddle or similar article Serial No. 155,057, as filed simultaneously herewith, and as assigned commonly herewith.



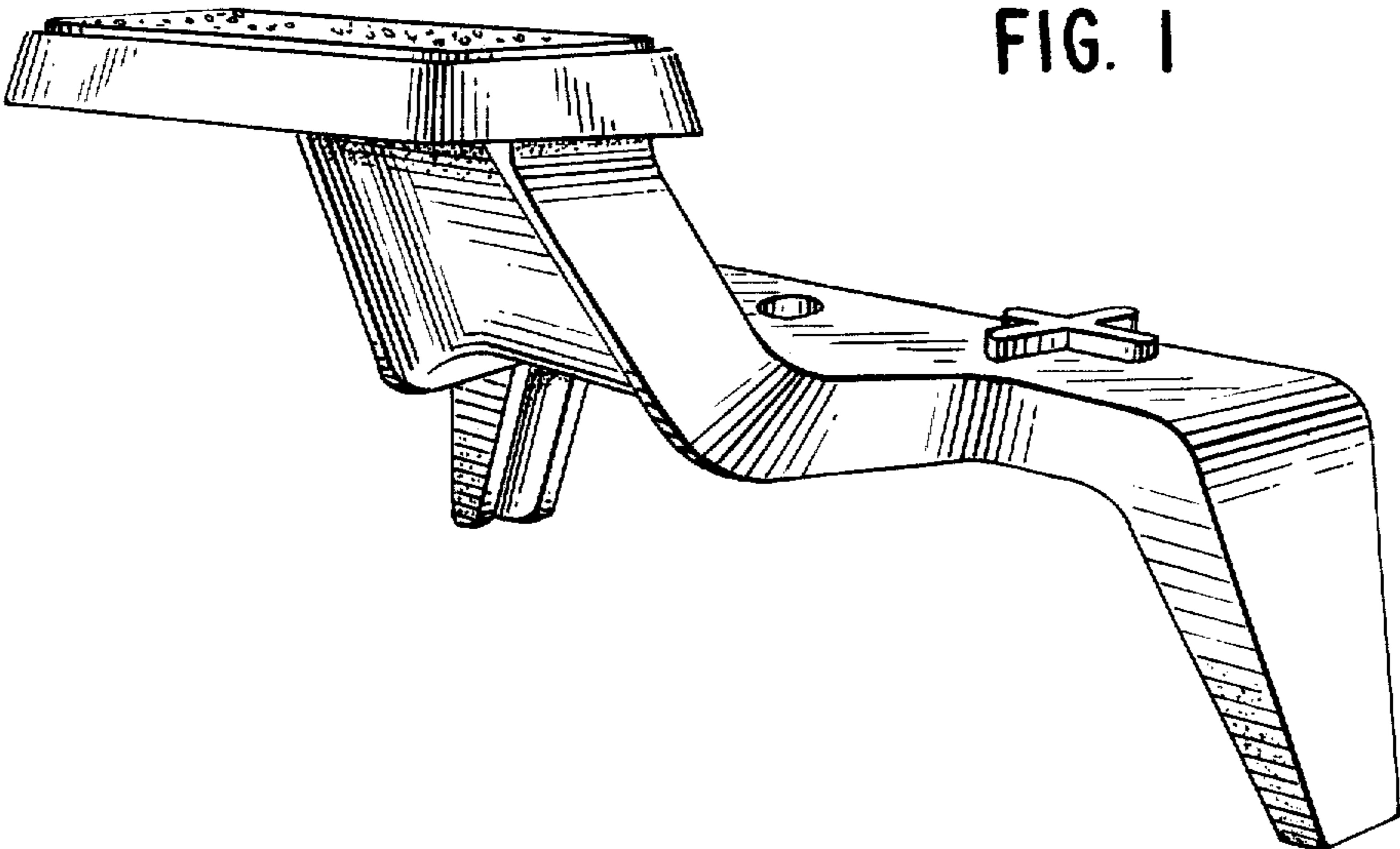


FIG. 2

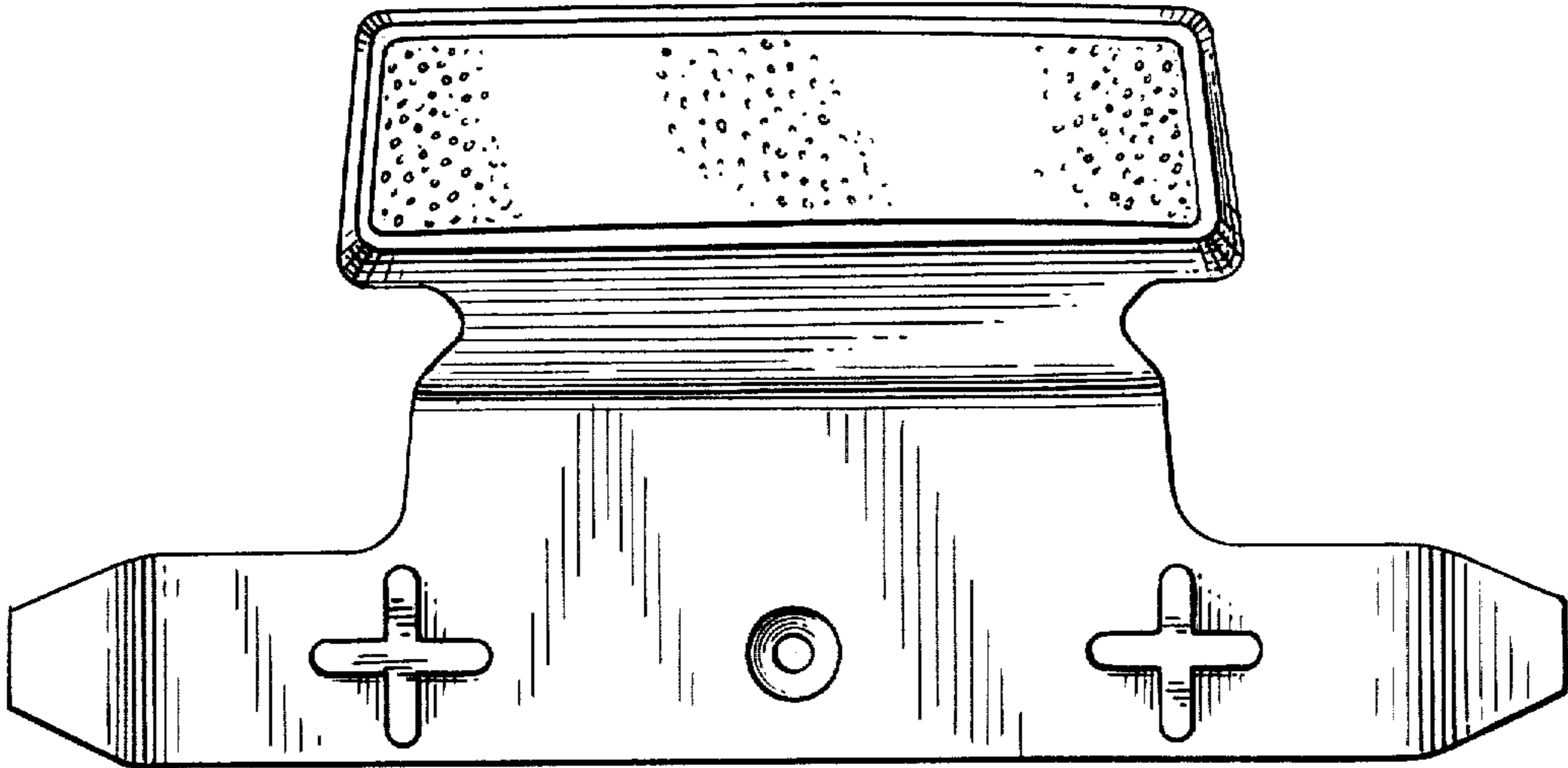


FIG. 3

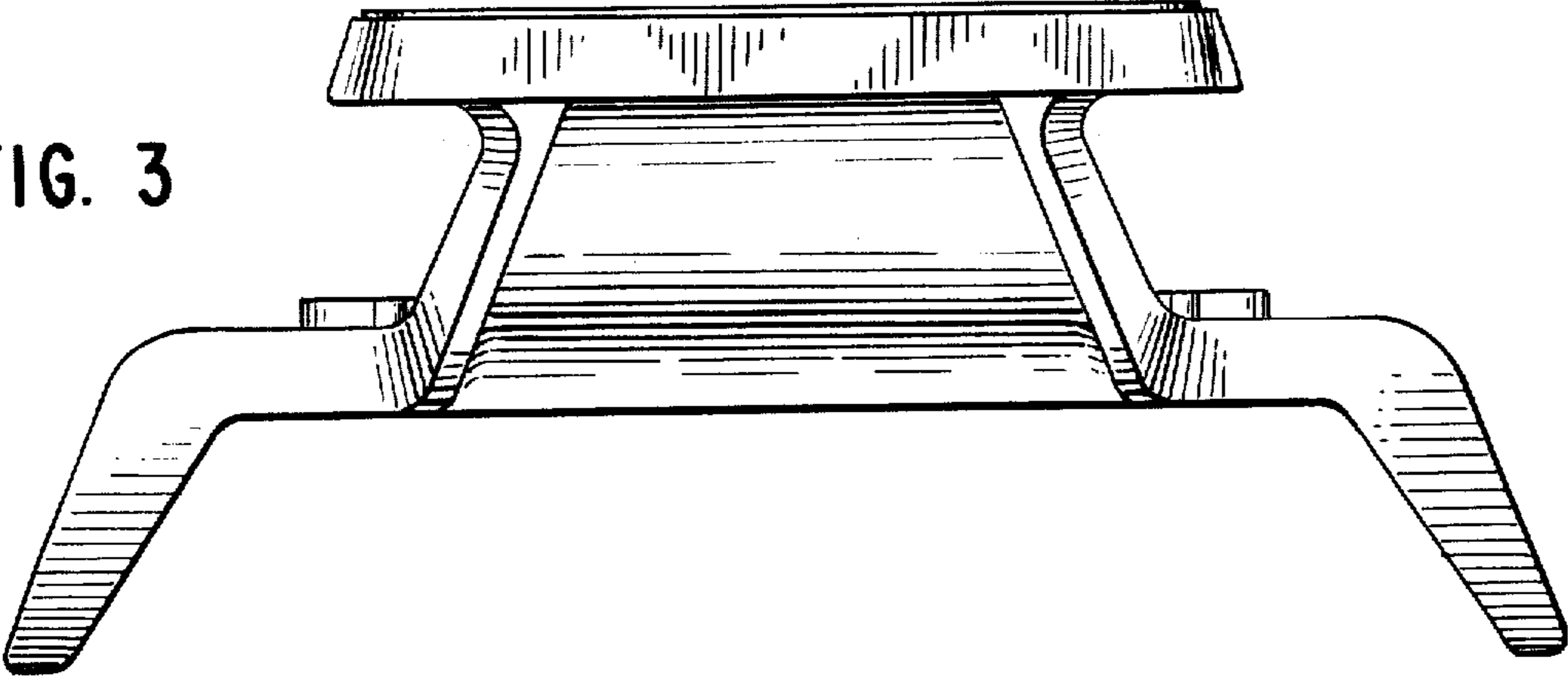


FIG. 4

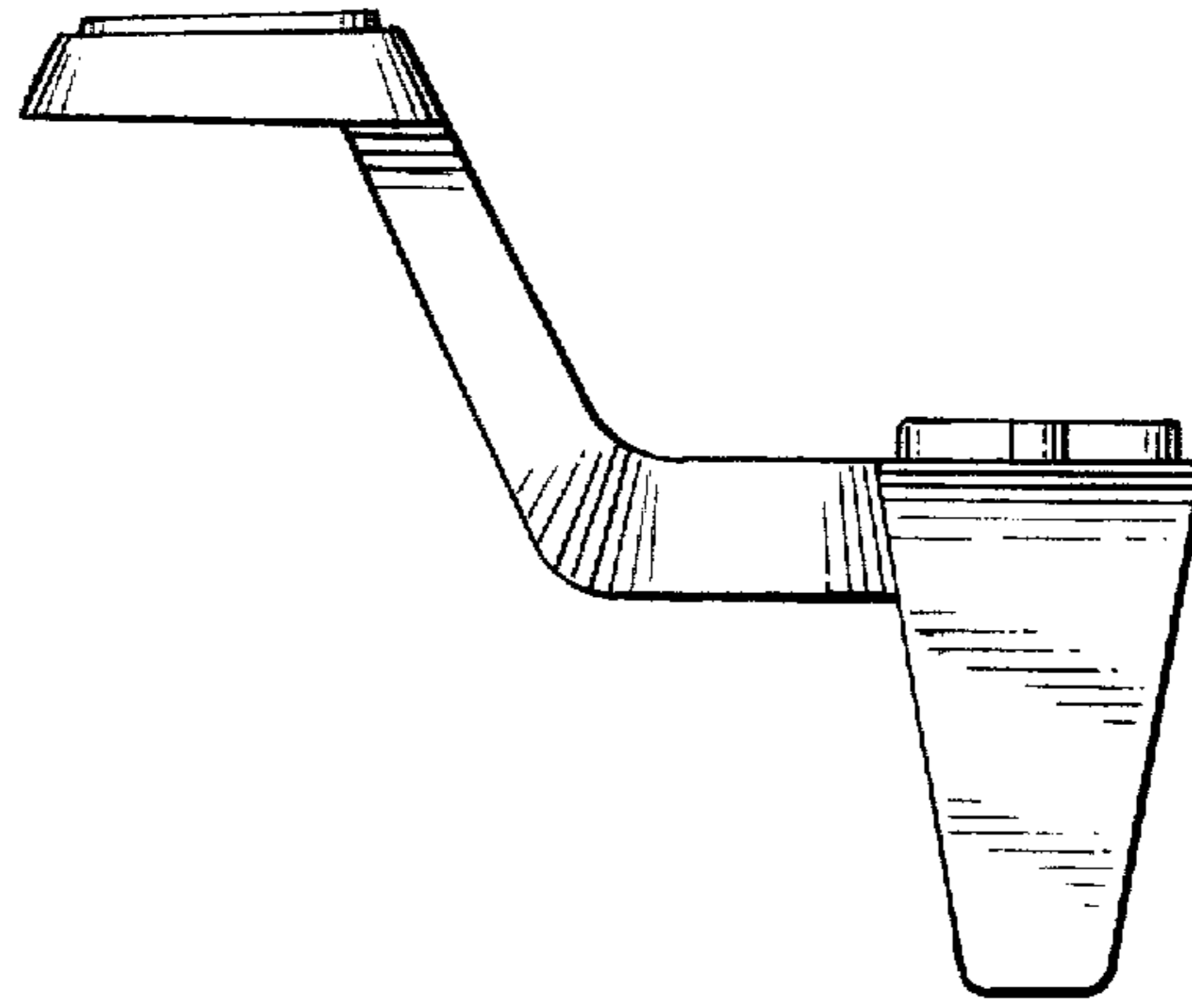


FIG. 5

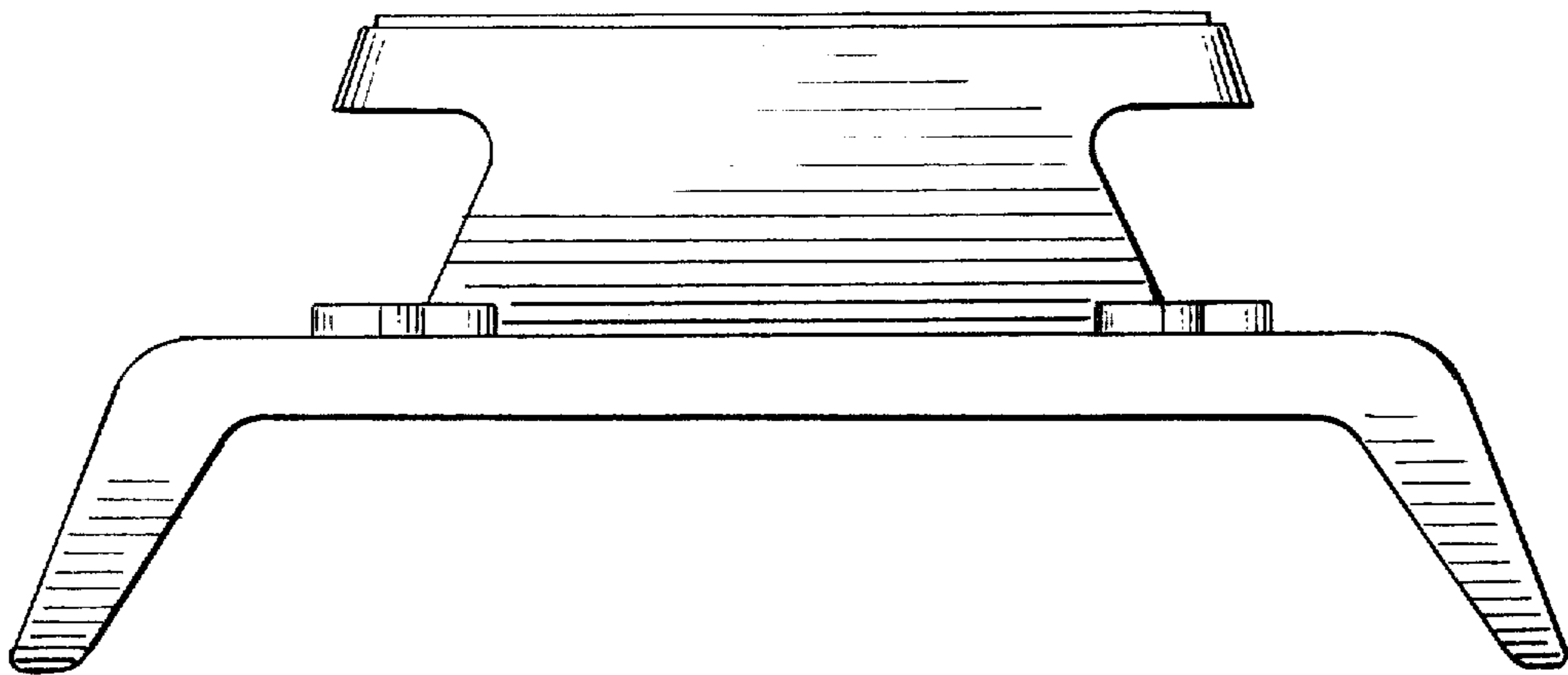


FIG. 6

