

[54] CHERRY PITTING MACHINE

[76] Inventor: Clement C. Pavelka, 376 Orange Dr., Oxnard, Calif. 93030

[\*\*] Term: 14 Years

[21] Appl. No.: 178,025

[22] Filed: Aug. 15, 1980

[51] Int. Cl. .... D7-04

[52] U.S. Cl. .... D7/106

[58] Field of Search ..... D7/106, 99; 99/559, 99/565; 30/113.1, 358

[56] References Cited

U.S. PATENT DOCUMENTS

D. 185,317	5/1959	Ross	.....	D7/106
1,390,977	9/1921	Behr	.....	30/113.1
2,463,854	3/1949	Cowan	.....	D7/106 X

FOREIGN PATENT DOCUMENTS

919969	11/1954	Fed. Rep. of Germany	.....	99/559
1125126	3/1962	Fed. Rep. of Germany	.....	99/559
454937	7/1913	France	.....	99/559
906139	12/1945	France	.....	99/559
170010	9/1934	Switzerland	.....	99/559
218327	3/1942	Switzerland	.....	99/559

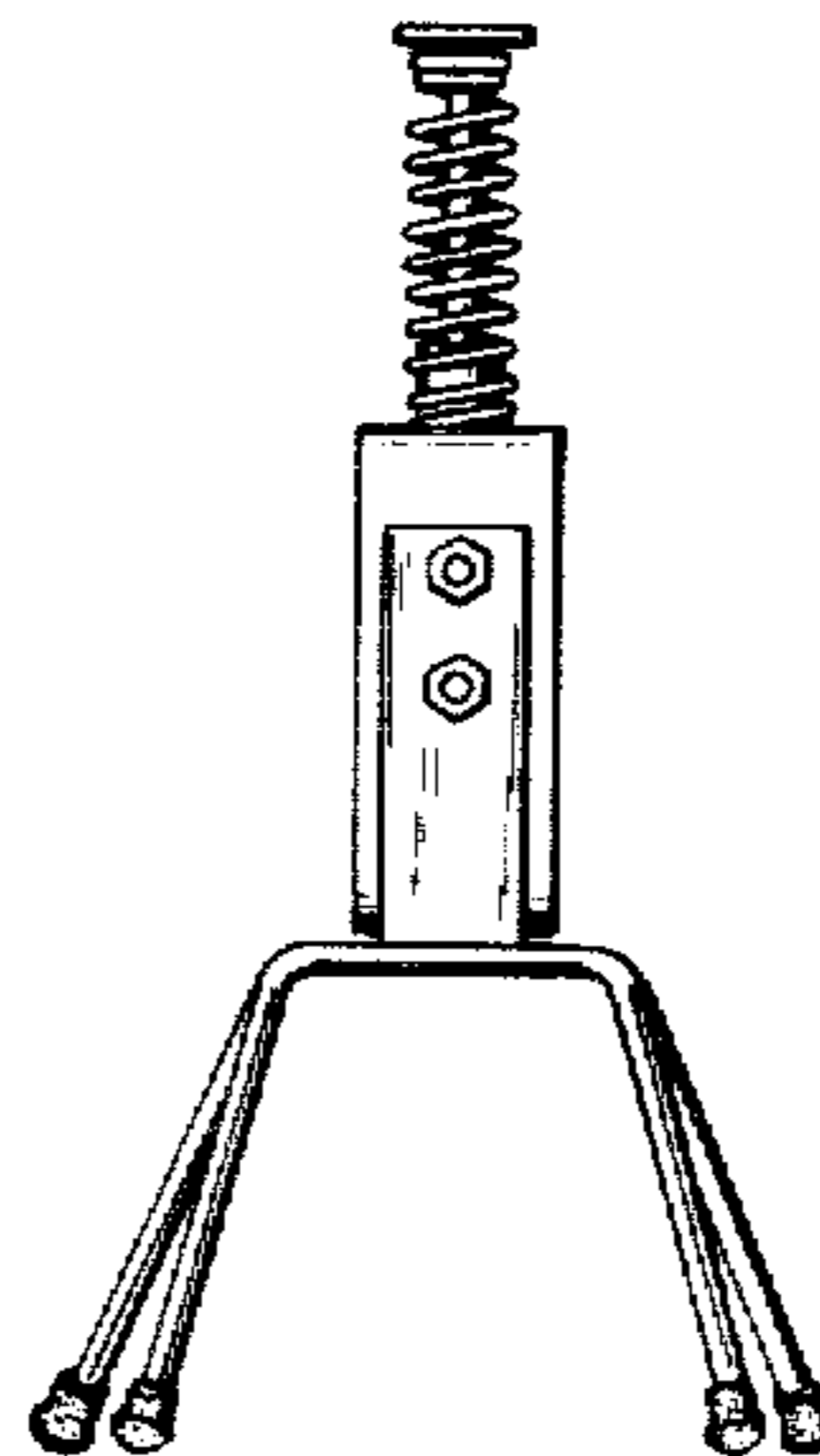
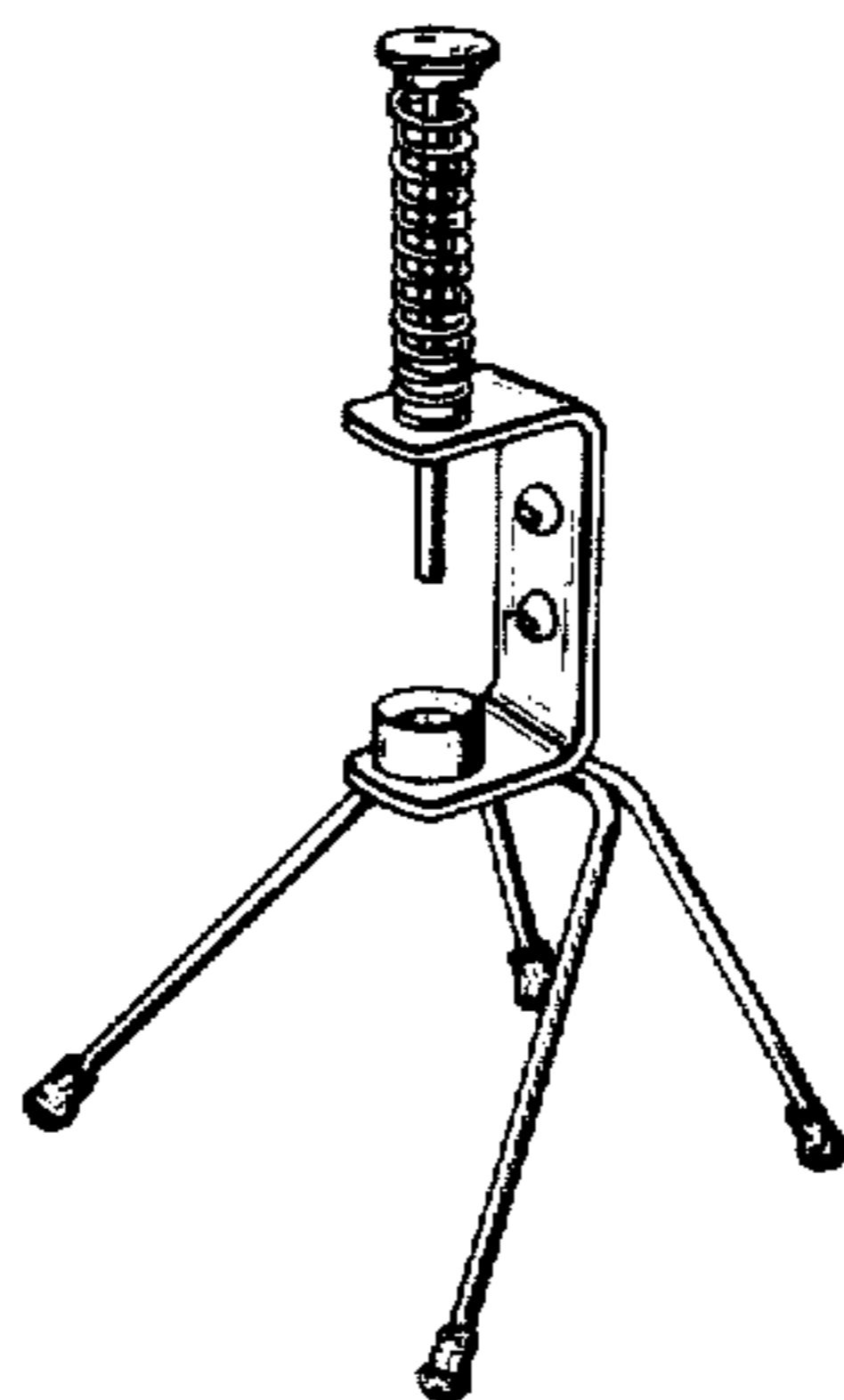
Primary Examiner—Winifred E. Herrmann  
Attorney, Agent, or Firm—Ralph B. Pastoriza

[57] CLAIM

The ornamental design for a cherry pitting machine, substantially as shown.

DESCRIPTION

FIG. 1 is a perspective view of a cherry pitting machine showing my new design;  
FIG. 2 is a side elevational view thereof;  
FIG. 3 is a front elevational view thereof;  
FIG. 4 is a rear elevational view thereof;  
FIG. 5 is a top plan view thereof; and,  
FIG. 6 is a bottom plan view thereof.



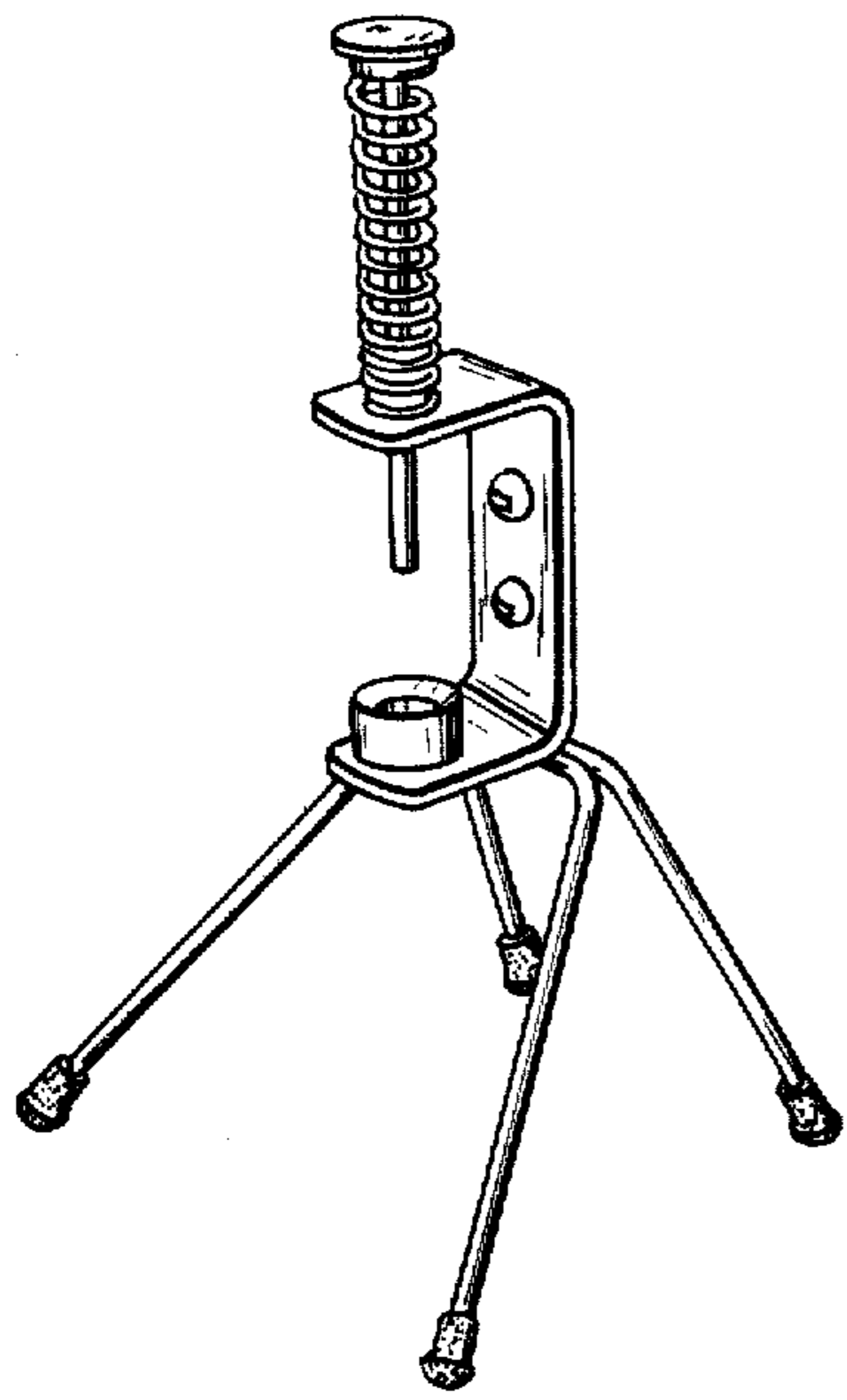


FIG. 1

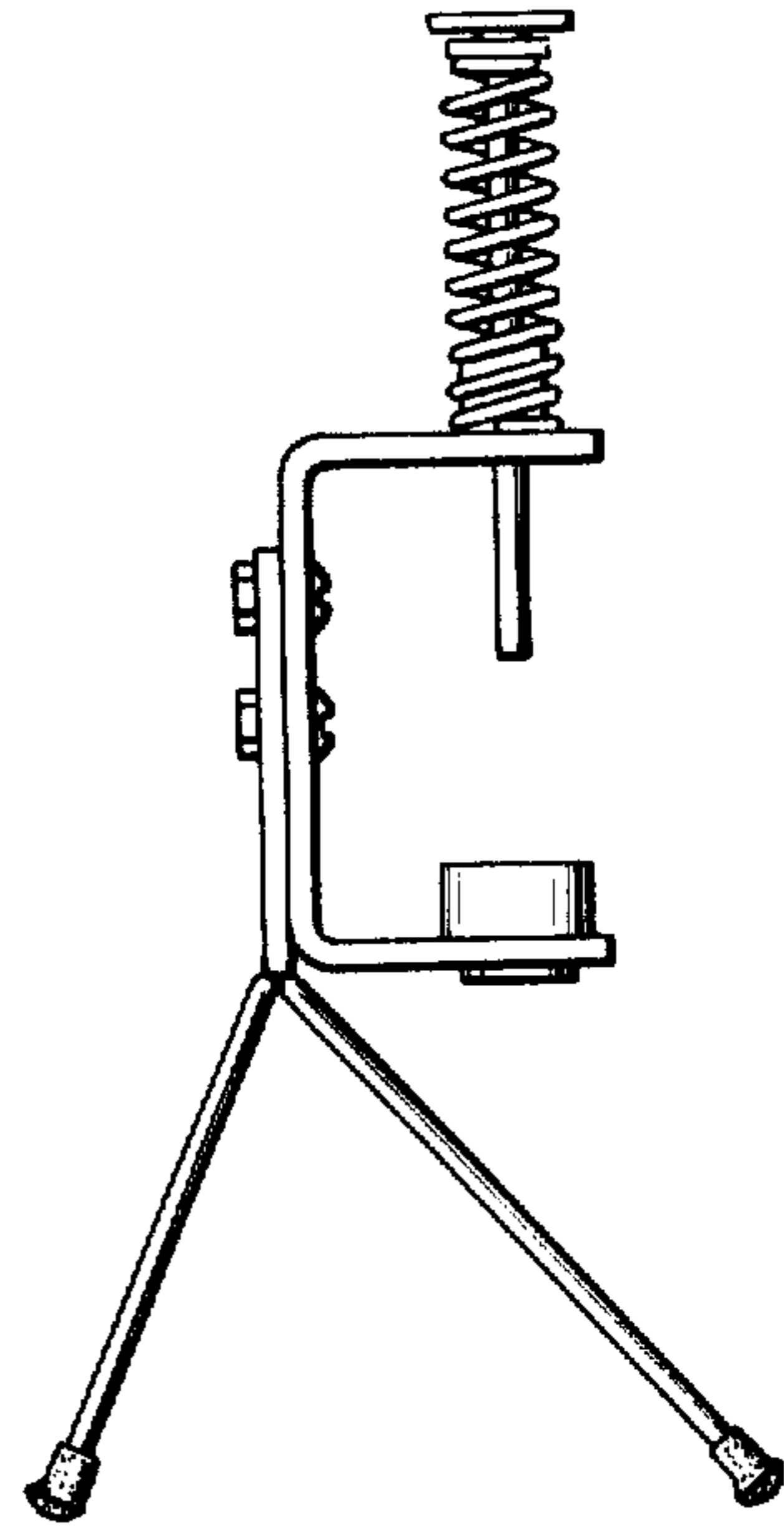


FIG. 2

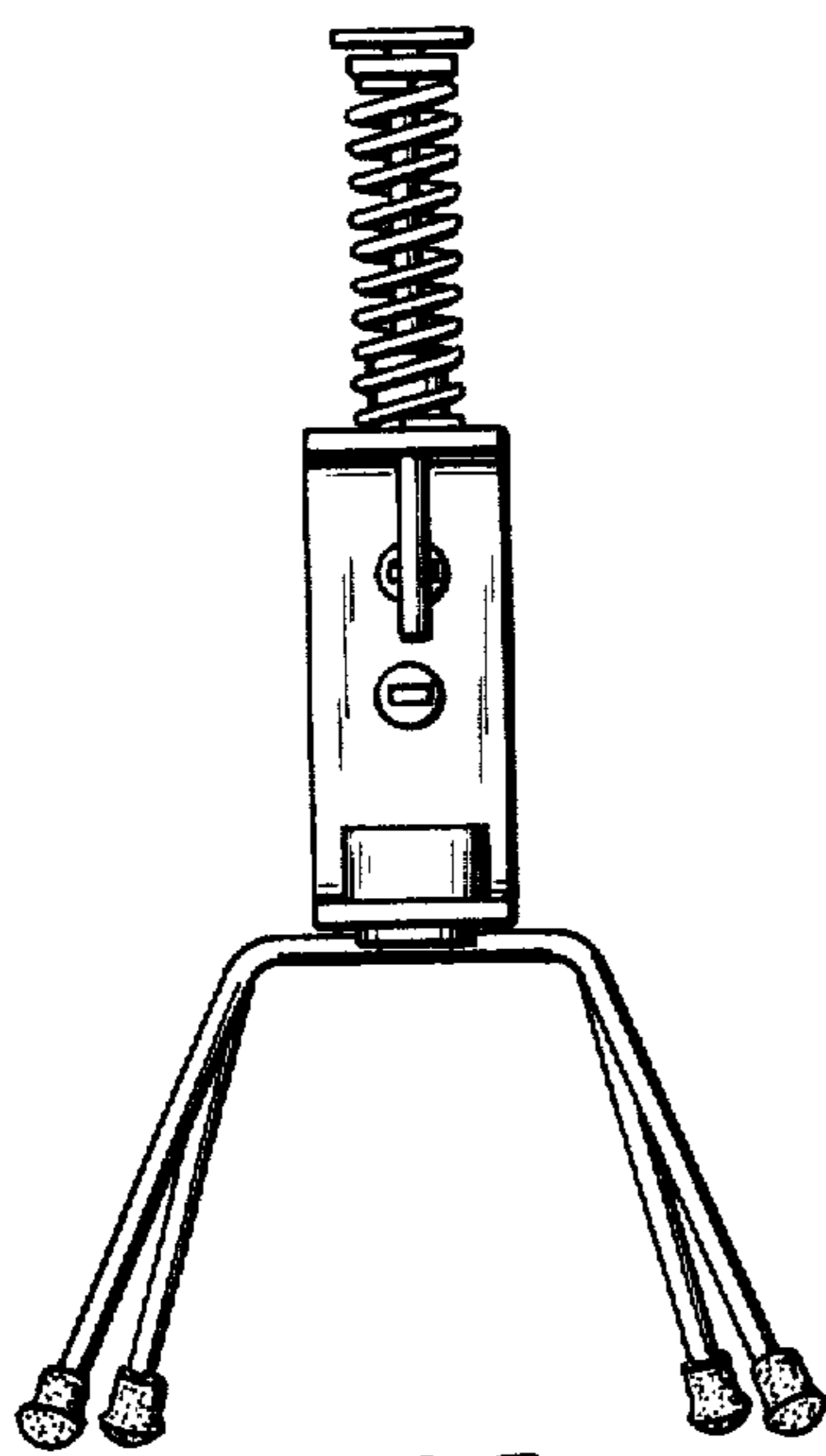


FIG. 3

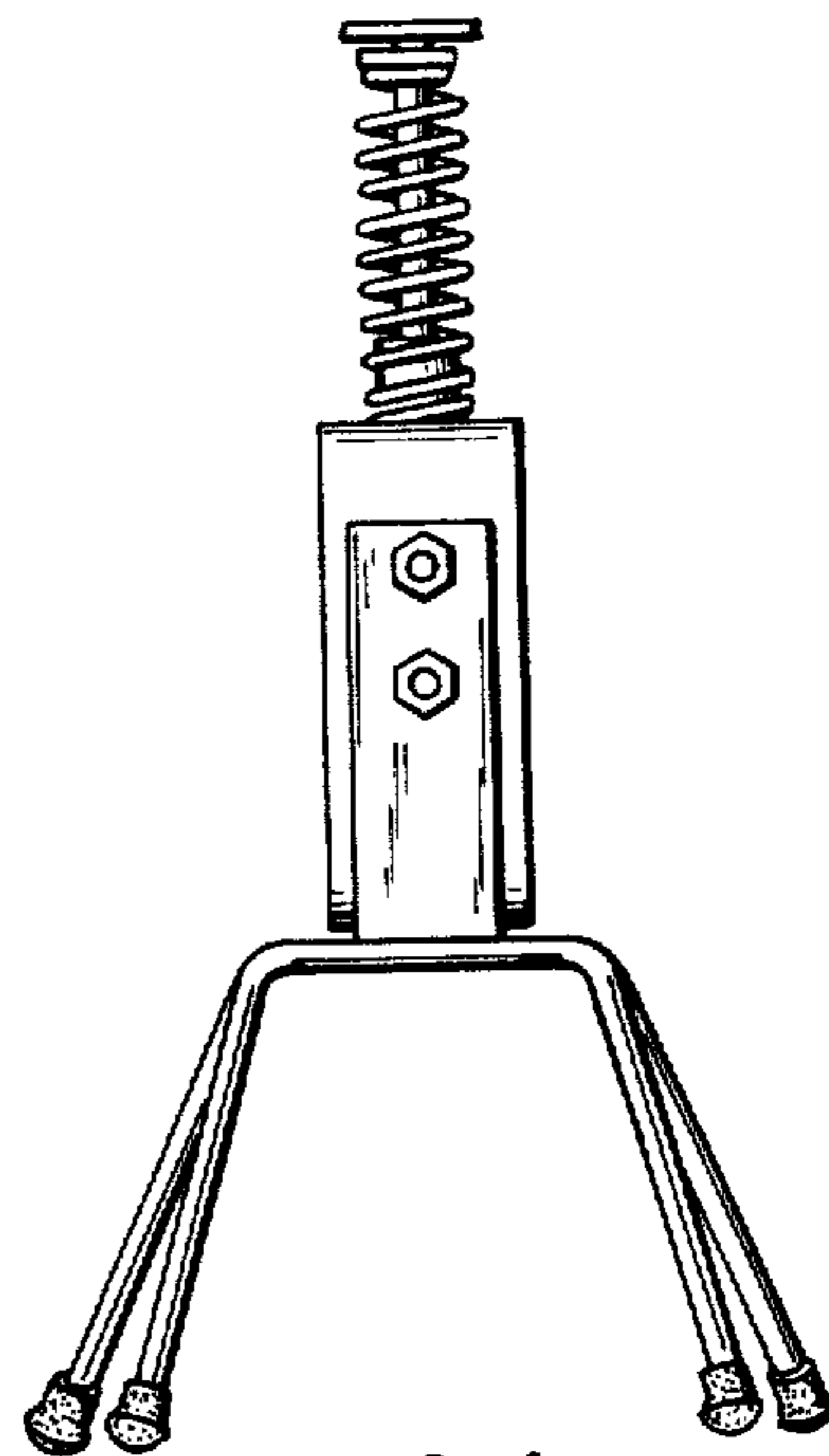


FIG. 4

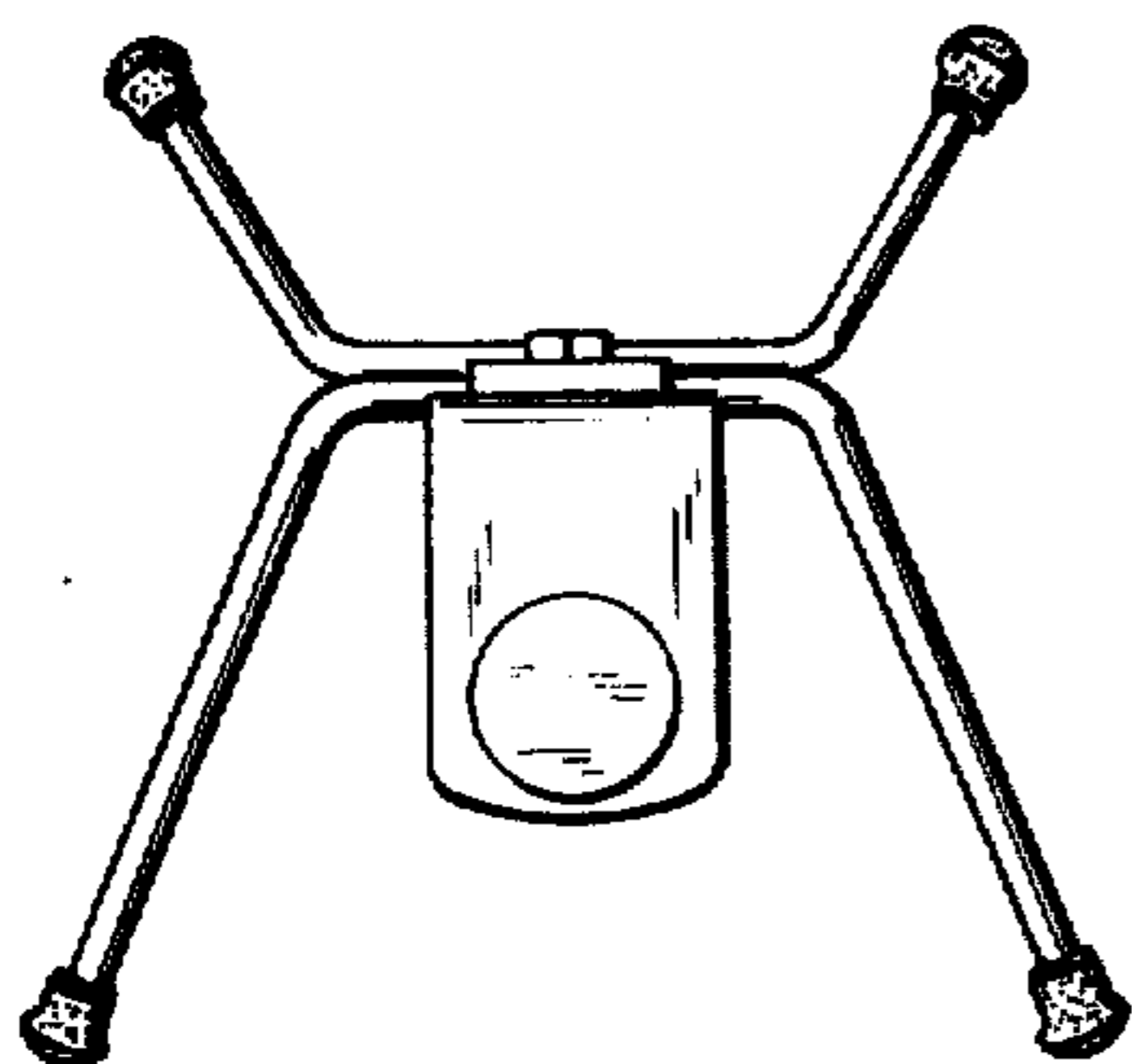


FIG. 5

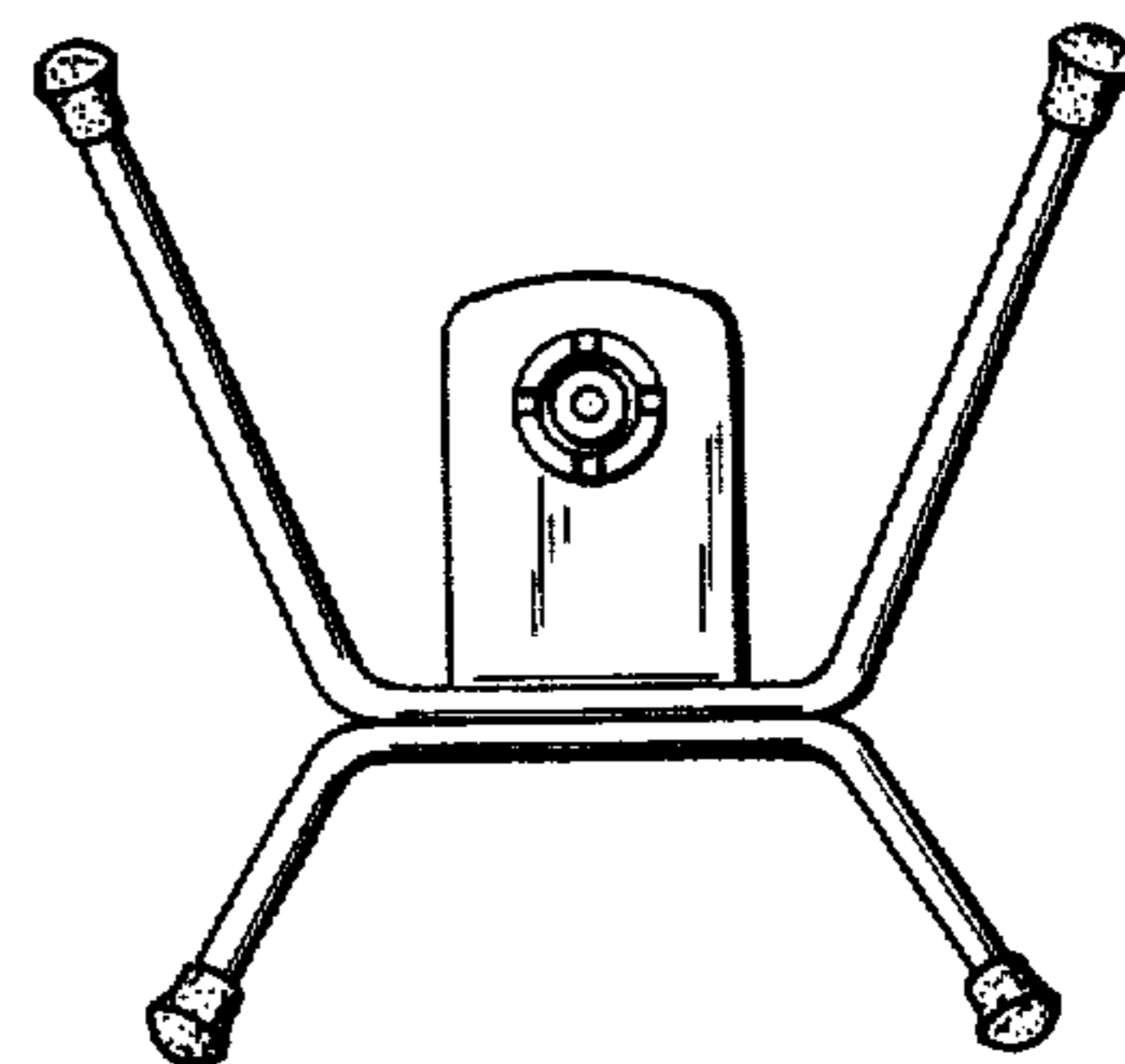


FIG. 6