

[54] ELECTRIC GRIDDLE OR SIMILAR ARTICLE

[75] Inventors: Robert R. Nauheimer, LaGrange; William L. Lockett, Downers Grove; George D. Meyer, Berkeley, all of Ill.

[73] Assignee: Sunbeam Corporation, Chicago, Ill.

[**] Term: 14 Years

[21] Appl. No.: 155,037

[22] Filed: May 30, 1980

[51] Int. Cl. D07-02

[52] U.S. Cl. D7/87; D7/94

[58] Field of Search D7/87, 132, 94, 97; D15/104; 220/94 R; 16/110.5, 110 A, 114 A

[56] References Cited

U.S. PATENT DOCUMENTS

D. 196,130	8/1963	Becker	D7/94
D. 197,243	12/1963	Ernest	D7/94
D. 205,150	6/1966	Cornwell, Jr. et al.	D7/94
D. 229,819	1/1974	Hall	D7/130
D. 250,448	12/1978	Boldt et al.	D7/94
3,547,307	12/1970	Barker	16/114 A X
3,685,092	8/1972	Cook	16/114 A
3,920,147	11/1975	Hiatt	16/114 A X

Primary Examiner—Winifred E. Herrmann

Attorney, Agent, or Firm—George R. Clark; Neil M. Rose; Allen J. Hoover

[57] CLAIM

The ornamental design for an electric griddle or similar article, as shown and described.

DESCRIPTION

FIG. 1 is a top rear perspective view of an electric griddle or similar article showing our new design; FIG. 2 is a top plan view thereof on an enlarged scale; FIG. 3 is a front elevational view thereof on the same scale; FIG. 4 is a bottom plan view thereof on the same scale; FIG. 5 is a rear elevational view thereof on the same scale; FIG. 6 is a right side elevational view of FIG. 2, the left side elevational view being a mirror image thereof; and FIG. 7 is a fragmentary, sectional view, as taken along line 7—7 of FIG. 5 in the direction of the arrows, so as to show details of means mounting and spacing a handle on one side of said electric griddle, means mounting and spacing the handles on opposite sides of said electric griddle being alike.

The handles on opposite sides of said electric griddle are like units of a handle shown and described in an application of Steven R. Groner for design patent entitled handle for a cooking or heating utensil, as filed simultaneously herewith, and as assigned commonly herewith.

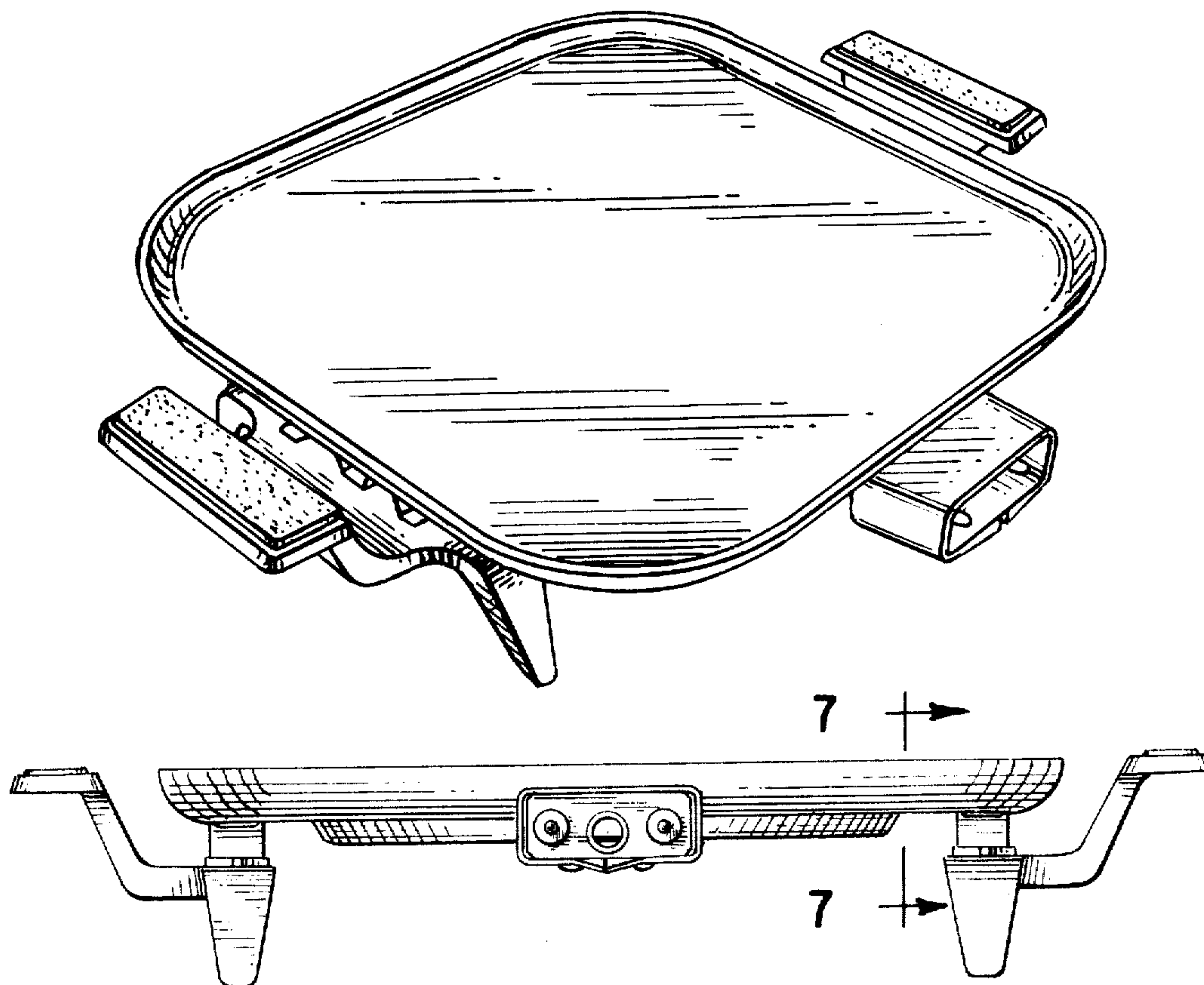


FIG. 1

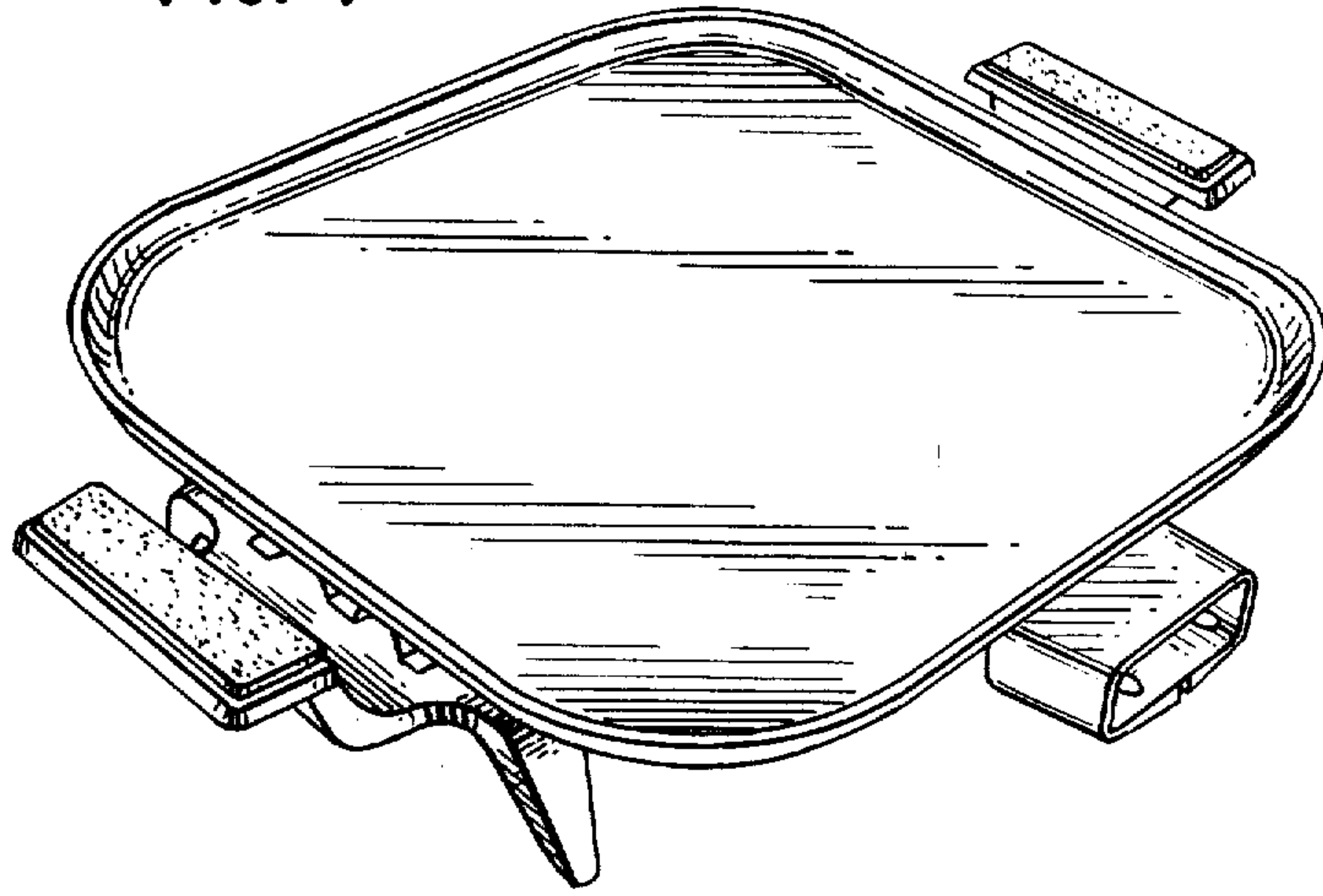


FIG. 2

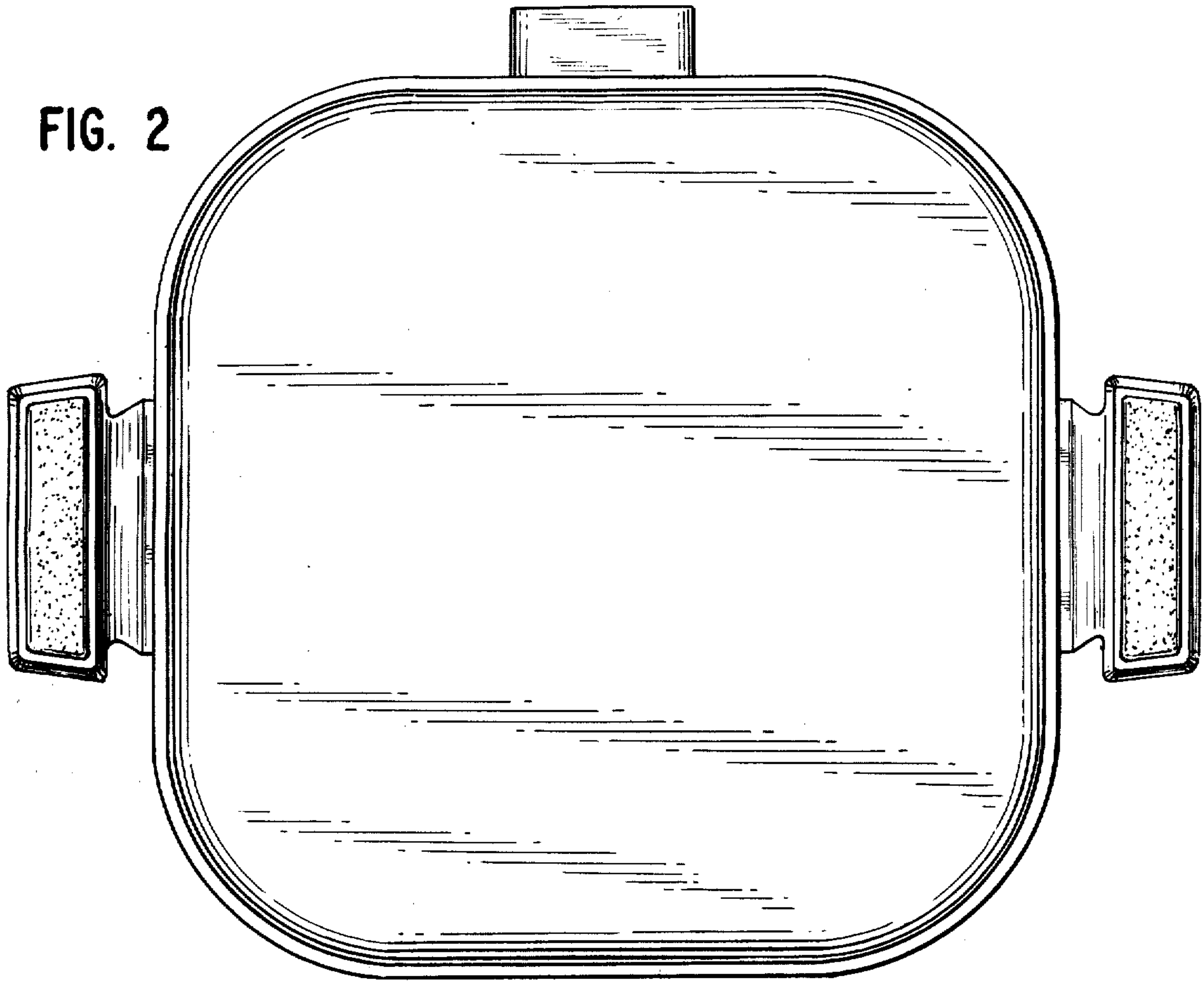


FIG. 3

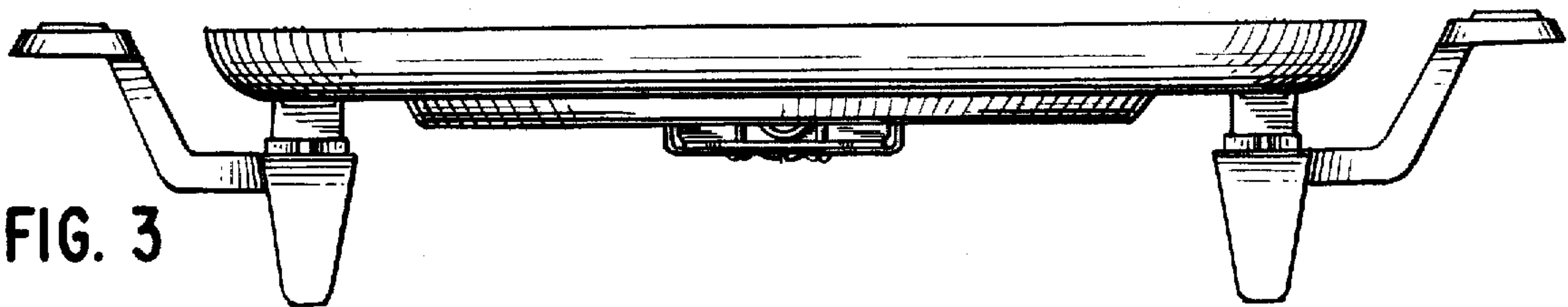


FIG. 7

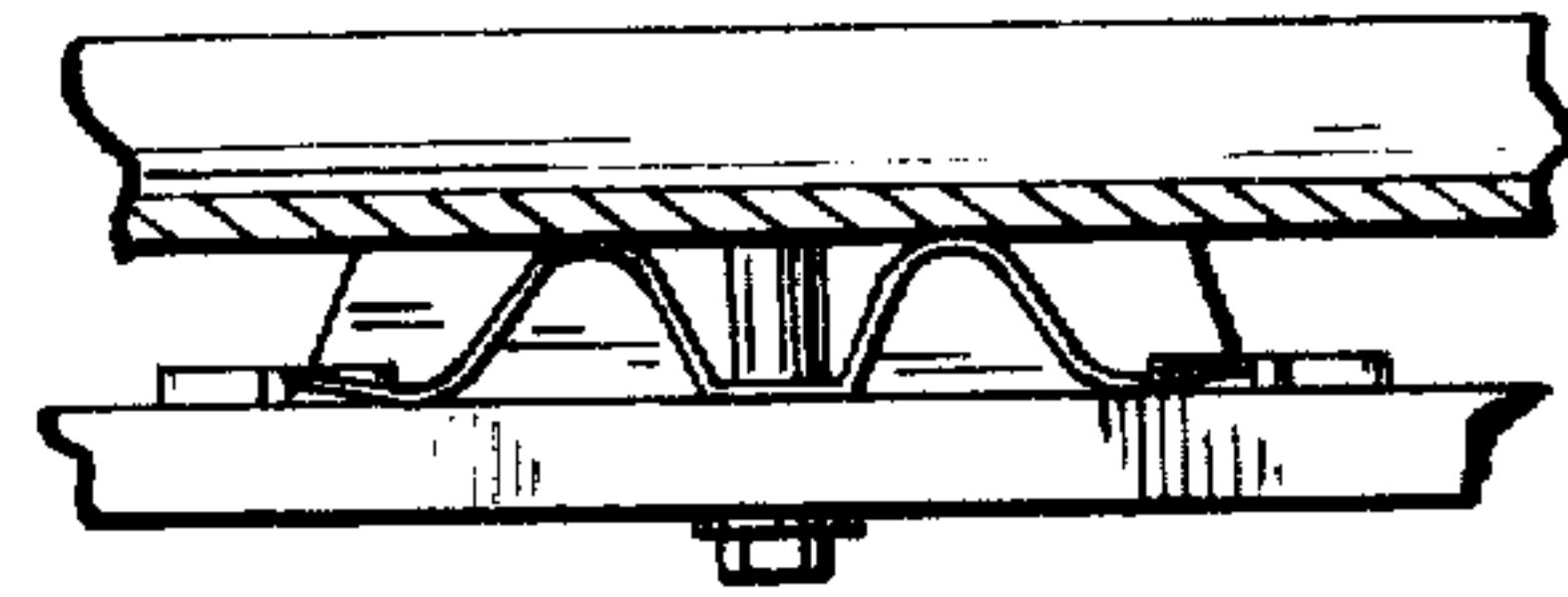


FIG. 4

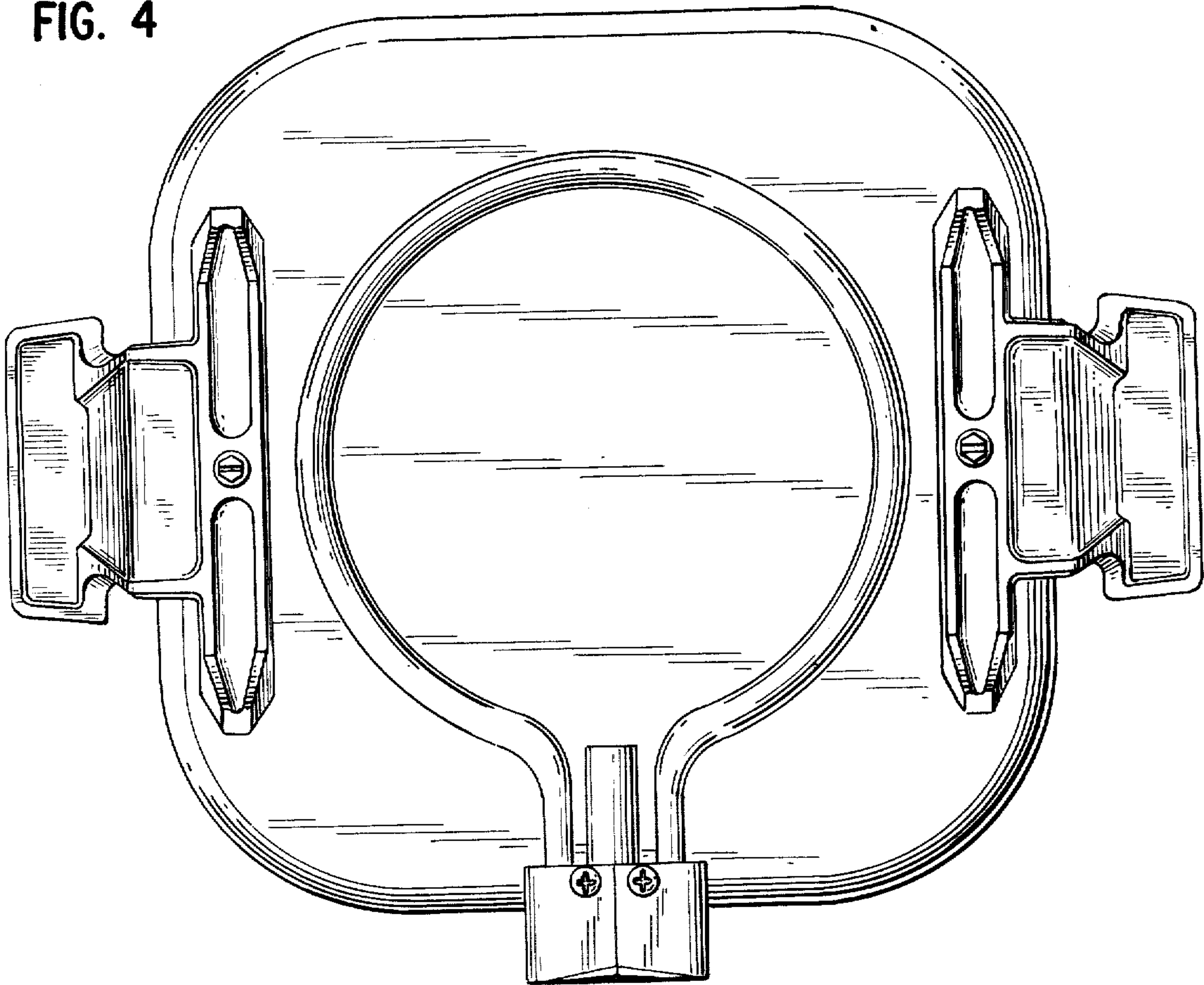


FIG. 5

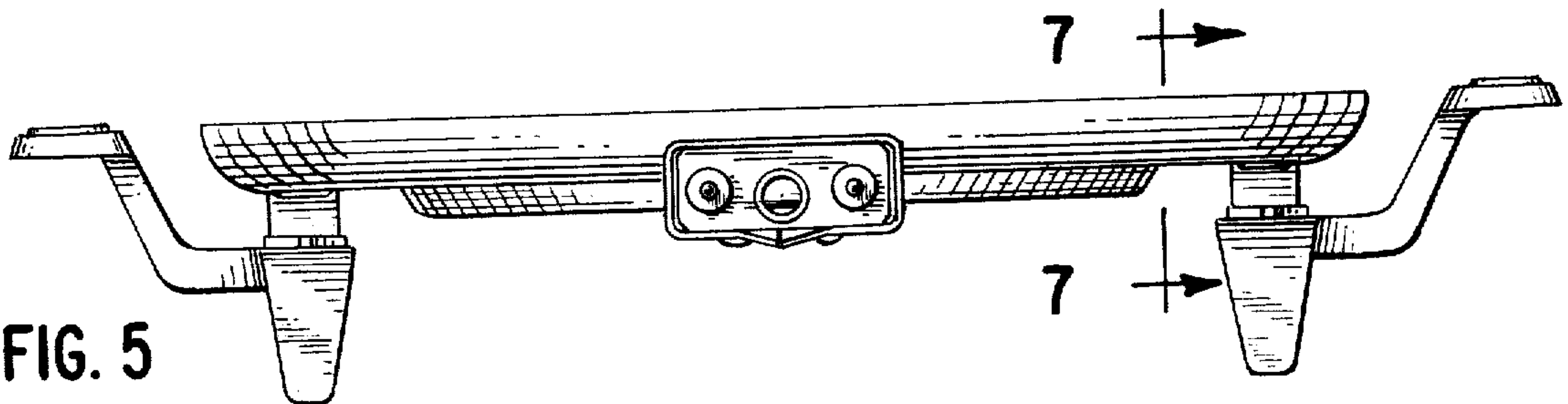


FIG. 6

