

[54] CHAIR FRAME

[75] Inventors: Gregory D. Bergquist, Mountain Brook; John A. Jones, Trussville, both of Ala.

[73] Assignee: Simmons Universal Corp., New York, N.Y.

[**] Term: 14 Years

[21] Appl. No.: 189,885

[22] Filed: Sep. 24, 1980

[51] Int. Cl. D6-06
[52] U.S. Cl. D6/191; D6/57
[58] Field of Search D6/47-78, D6/191, 194-197

[56]

References Cited

U.S. PATENT DOCUMENTS

D. 165,914 2/1952 Grundy D6/57
D. 182,888 5/1958 Forbes D6/57
D. 261,333 10/1981 Adkinson D6/57

OTHER PUBLICATIONS

Fine Art Furn. Cat., p. 125, chair No. 637, top right.
Ficks Reed Cat., p. 77, chair No. 7091CU, top left.

Primary Examiner—Bruce W. Dunkins

[57]

CLAIM

The ornamental design for a chair frame, as shown and described.

DESCRIPTION

FIG. 1 is a front perspective view of a chair frame showing my design;
FIG. 2 is a side view thereof;
FIG. 3 is a front view thereof;
FIG. 4 is a back view thereof; and
FIG. 5 is a top view thereof.

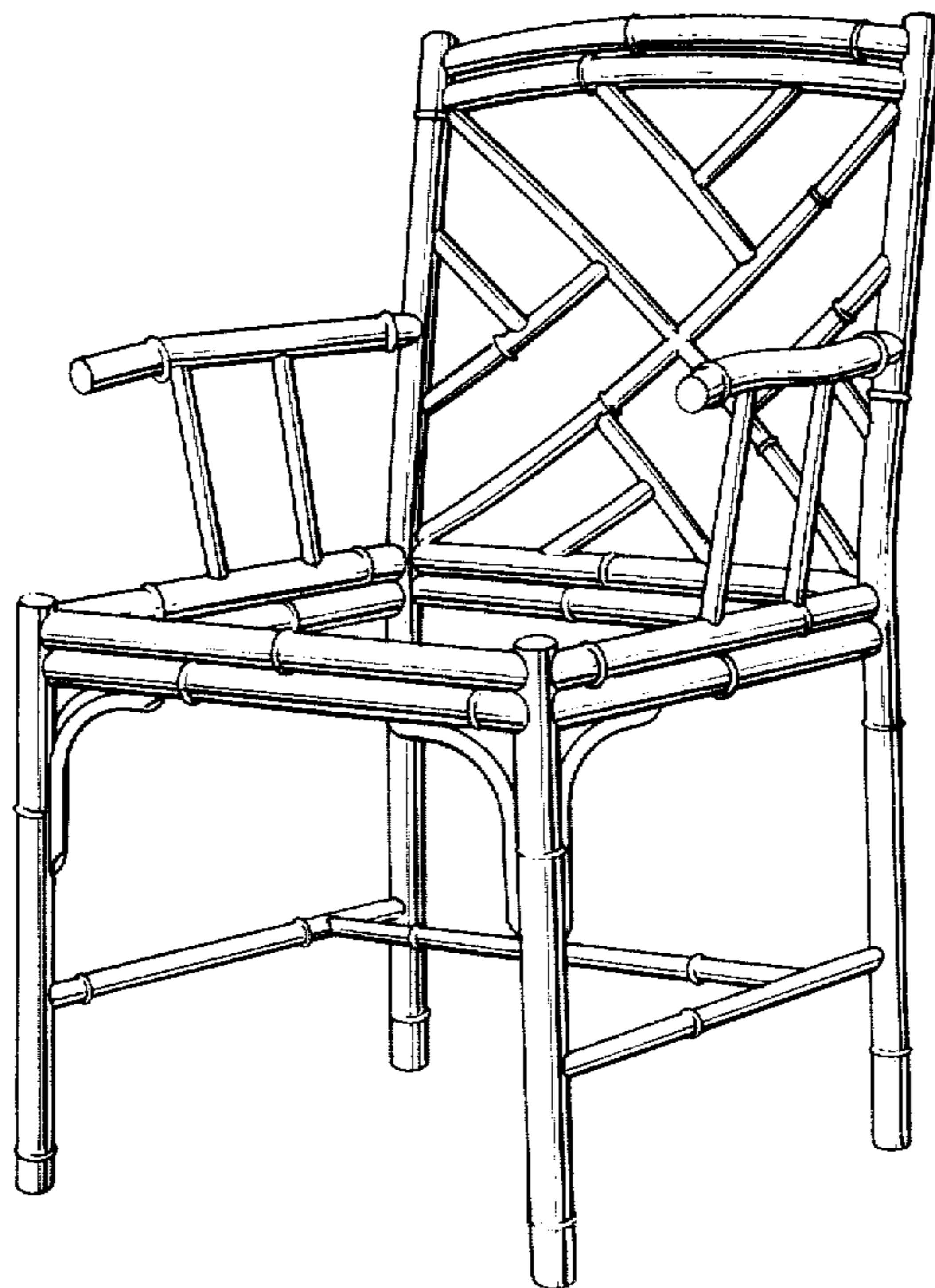


Fig. 1.

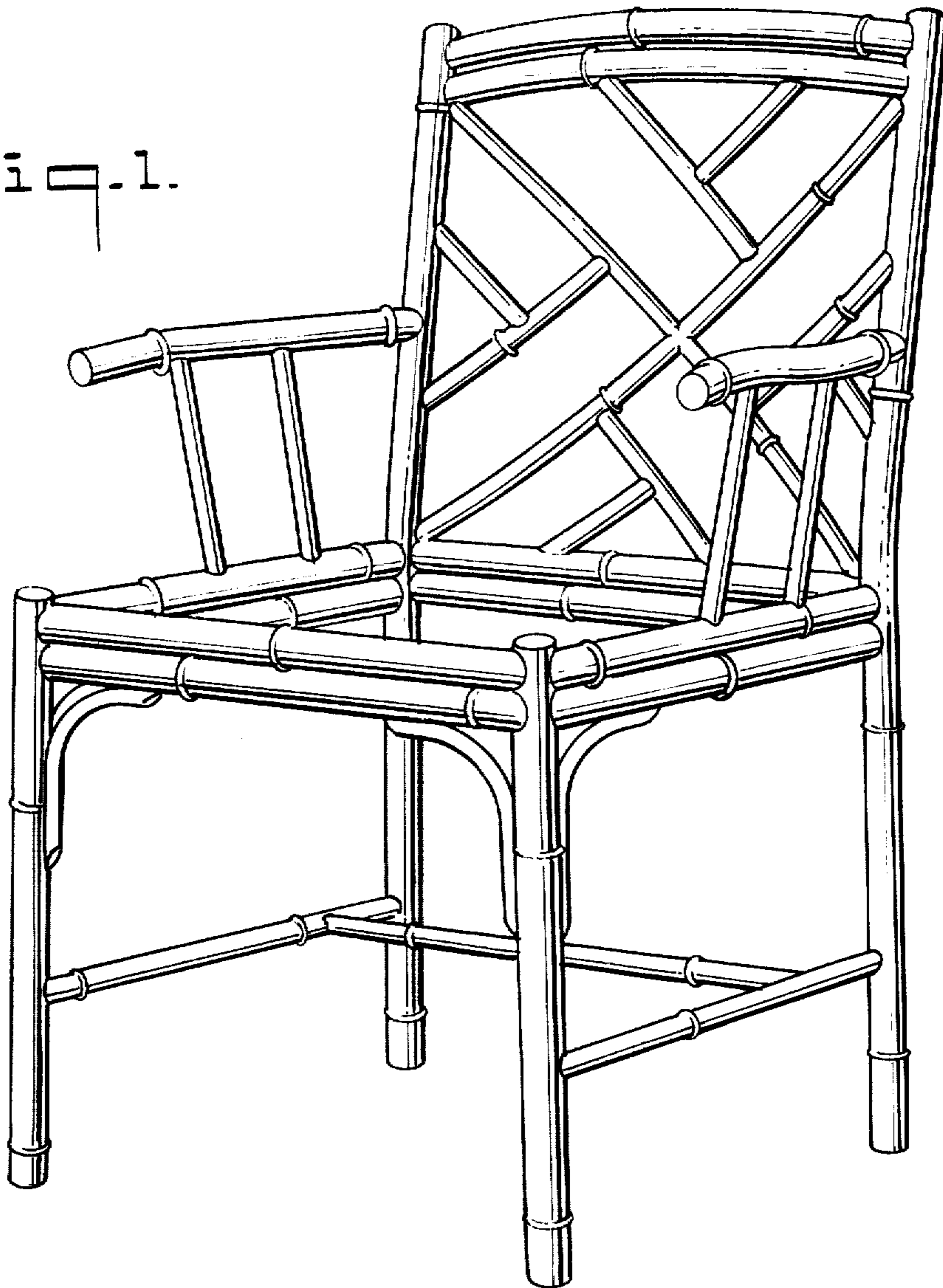


Fig. 2.

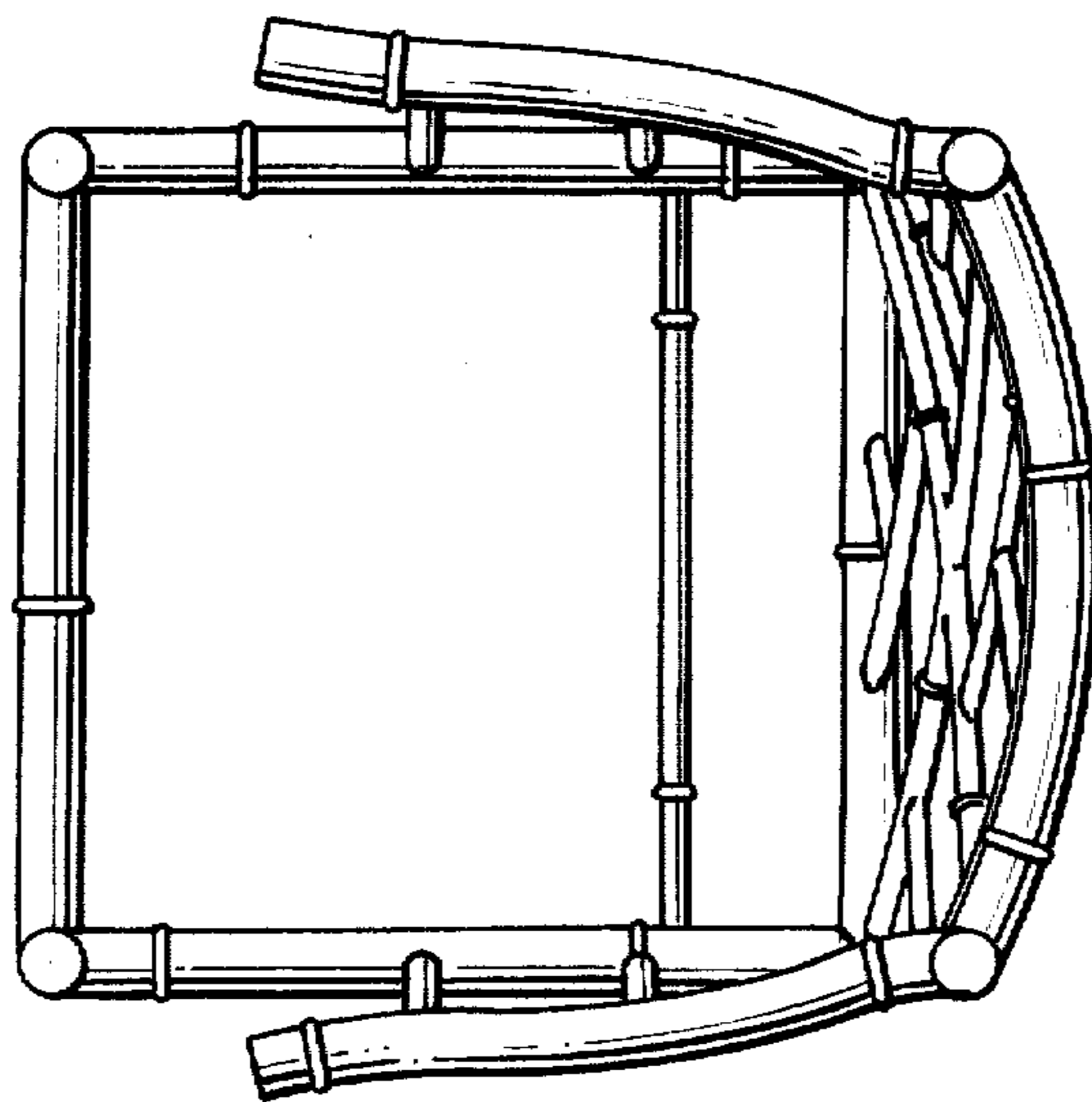


Fig. 3.

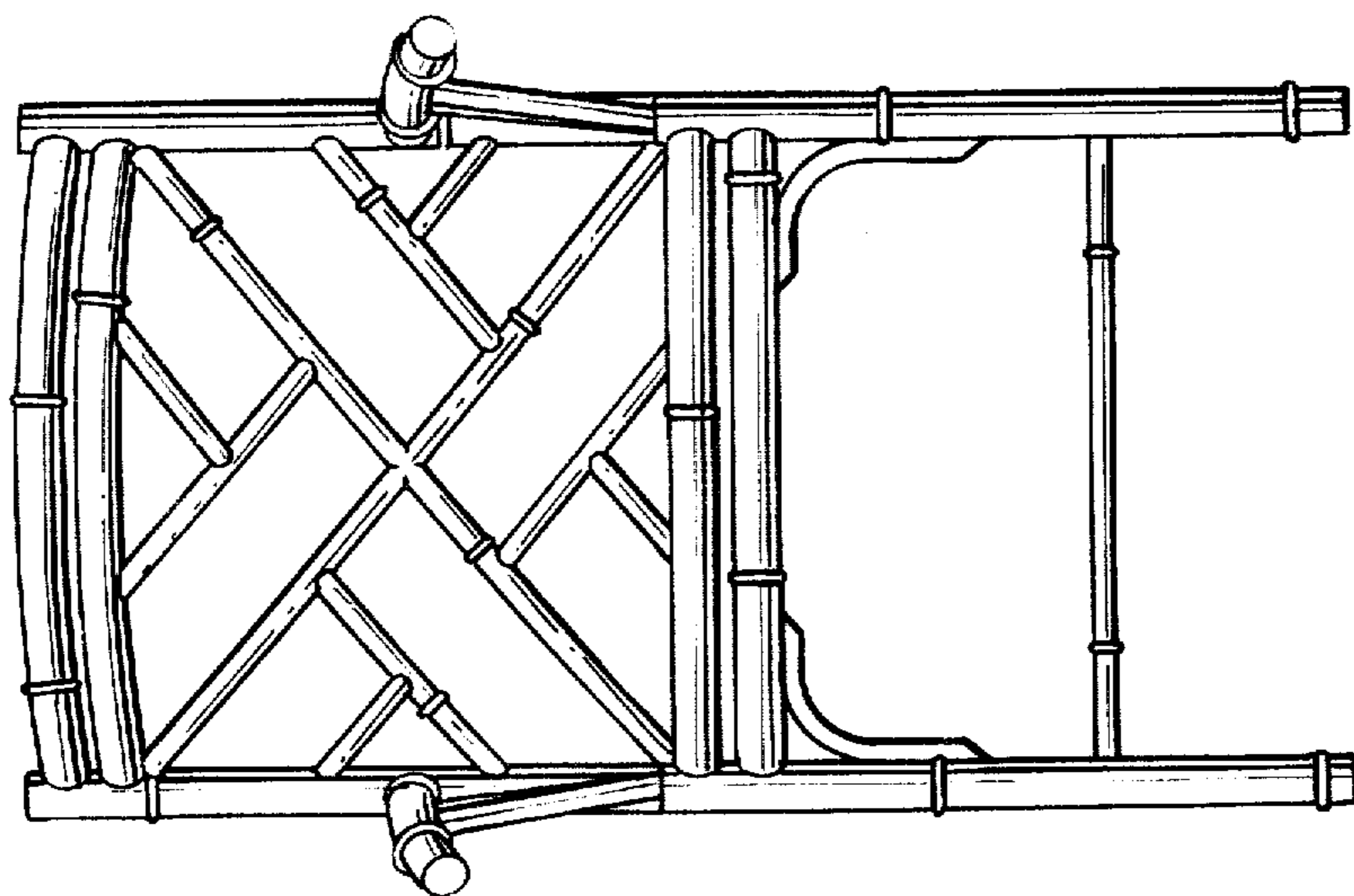


Fig. 2.

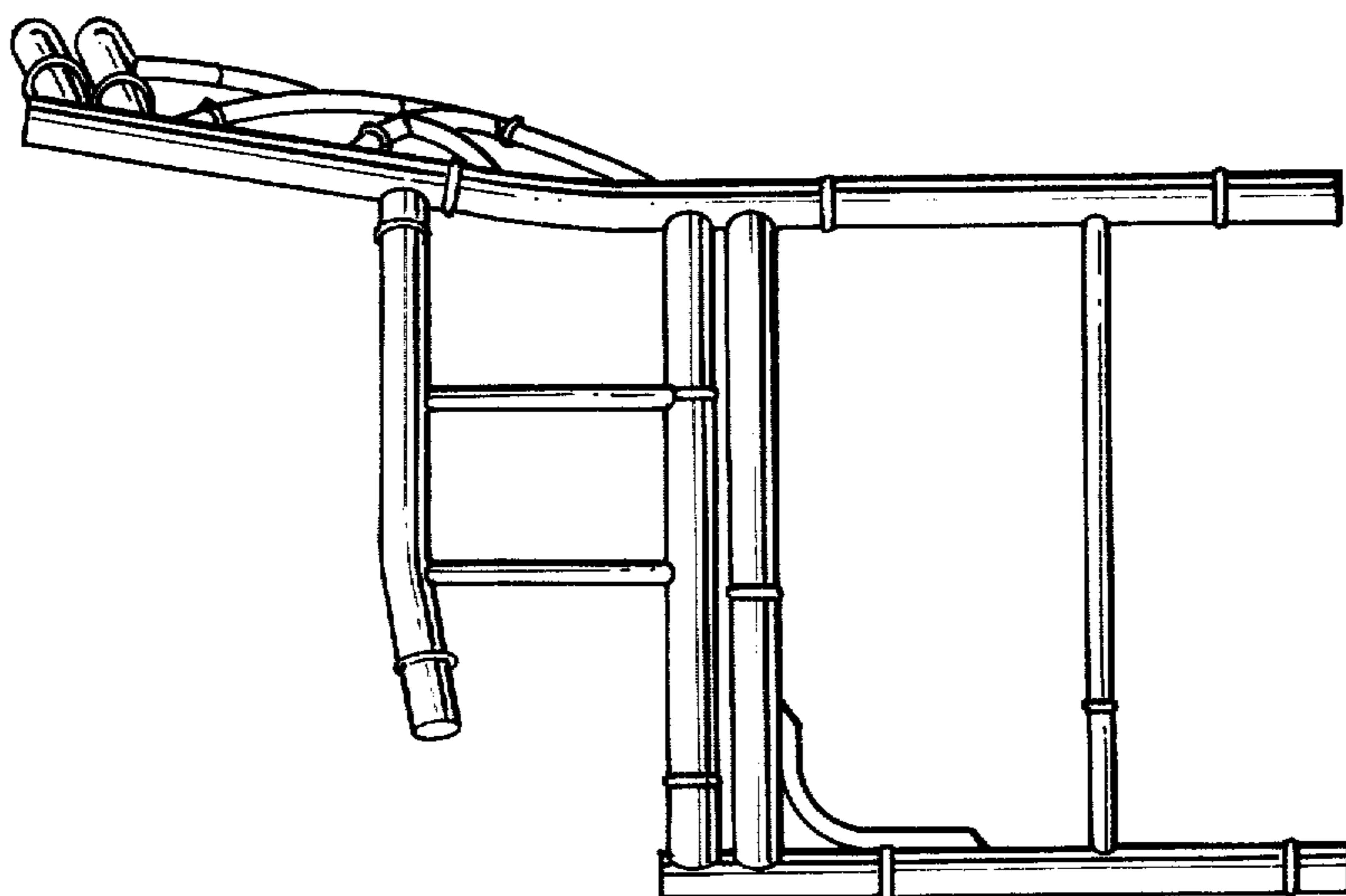


Fig. 4.

