

[54] TABLE

[76] Inventors: **Richard Baker; Steven Baker**, both of 880 Dillingham Rd., Pickering, Ontario, Canada, L1W 1Z6

[\*\*] Term: **14 Years**

[21] Appl. No.: **101,898**

[22] Filed: **Dec. 10, 1979**

[51] Int. Cl. .... **D6-03**

[52] U.S. Cl. .... **D6/146; D6/176**

[58] Field of Search .... **D6/27, 147-149, D6/145, 32, 177, 179, 178, 146, 176**

[56] **References Cited**

**U.S. PATENT DOCUMENTS**

D. 184,390 2/1959 Cramer ..... D6/32

D. 215,858 11/1969 Hamilton et al. .... D6/177

**OTHER PUBLICATIONS**

Interiors, 3-1956, p. 126, Finsven Adv., stool left foreground.

*Primary Examiner*—Bruce W. Dunkins

[57] **CLAIM**

The ornamental design for a table, as shown.

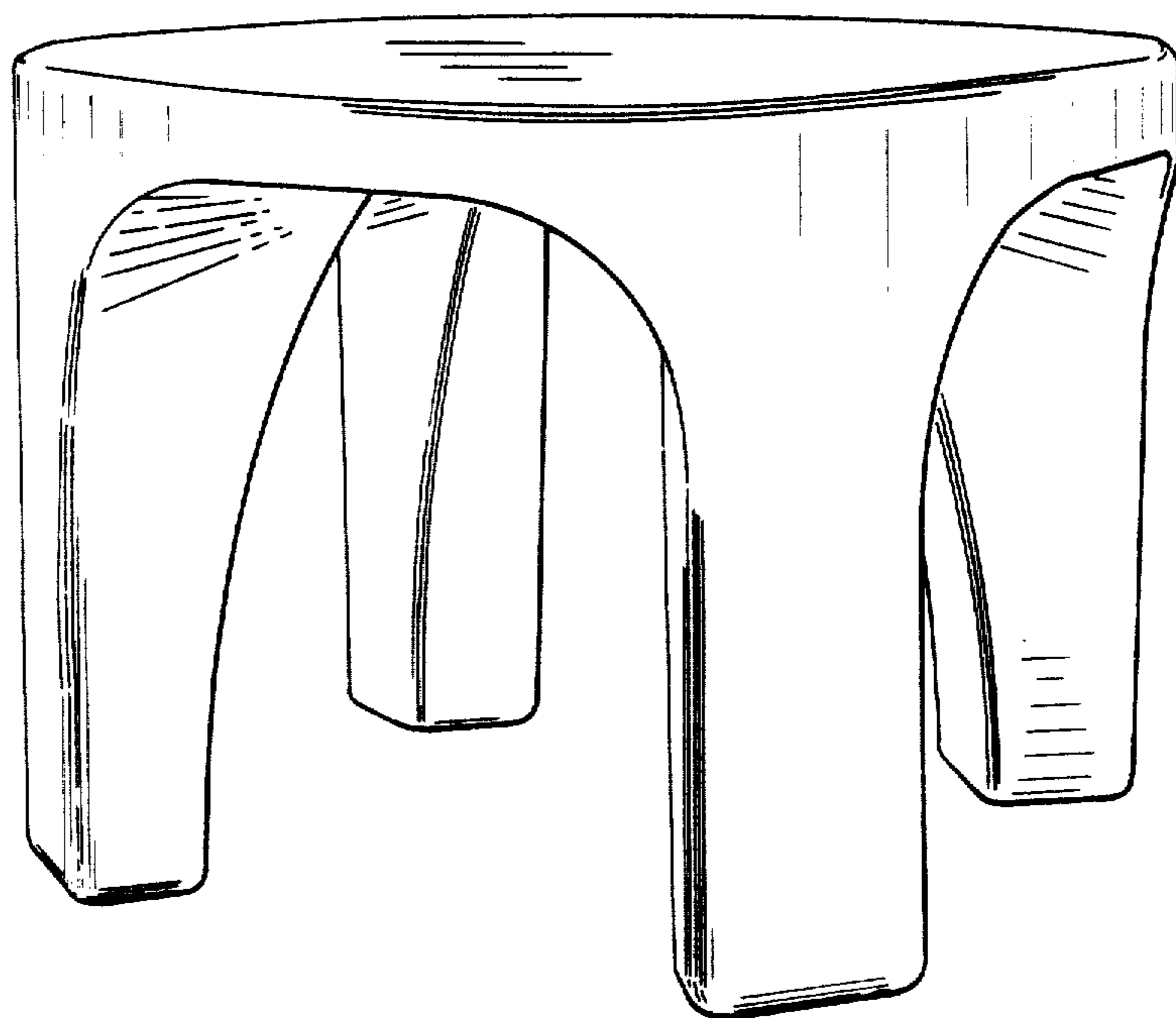
**DESCRIPTION**

FIG. 1 is a perspective view of a table embodying the new design;

FIG. 2 is a perspective view of the table of FIG. 1 facing the aperture between adjacent legs;

FIG. 3 is a perspective view of the table of FIG. 1 when directly facing one leg of the table, and;

FIG. 4 is a top view of the table.



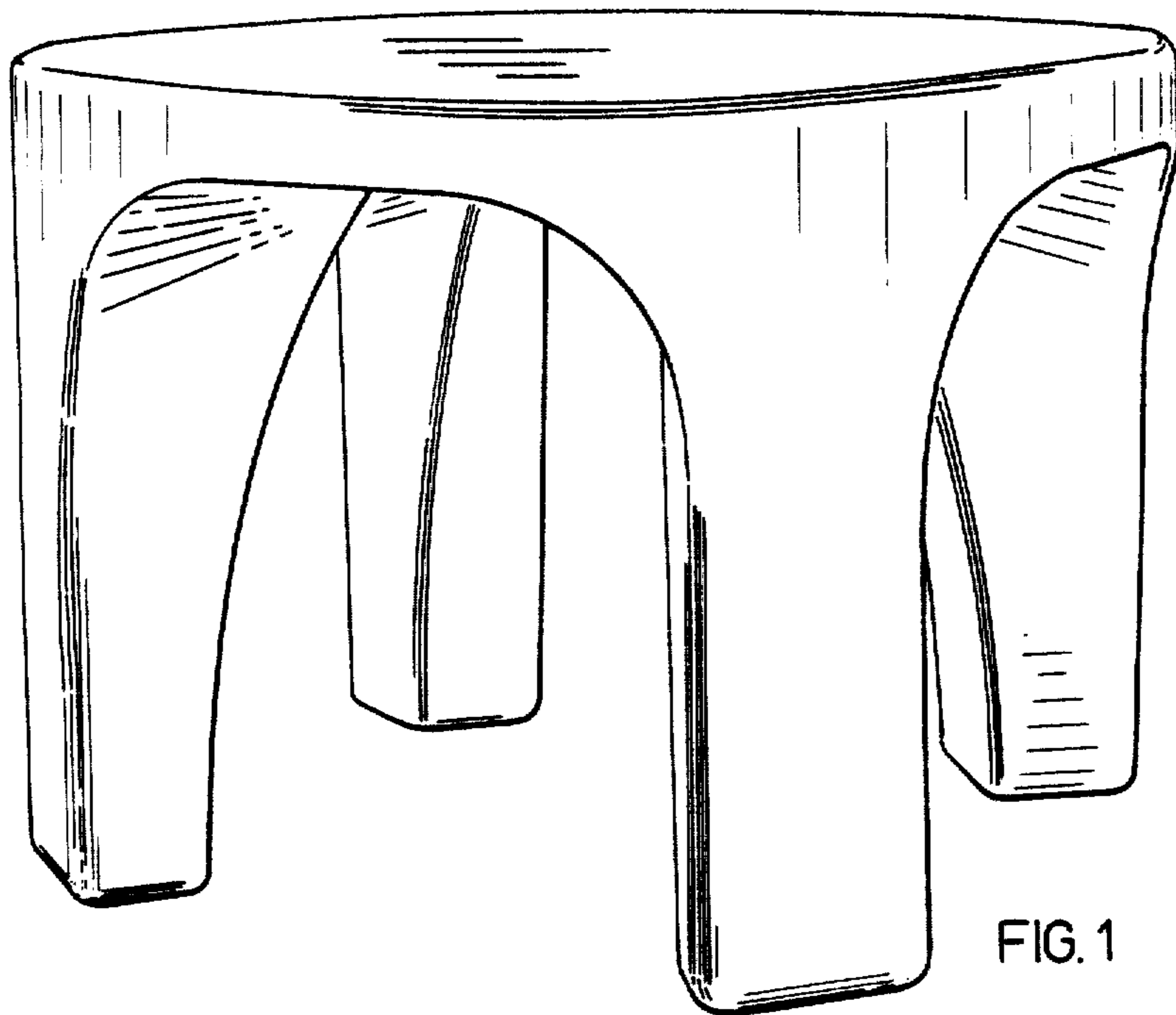


FIG. 1

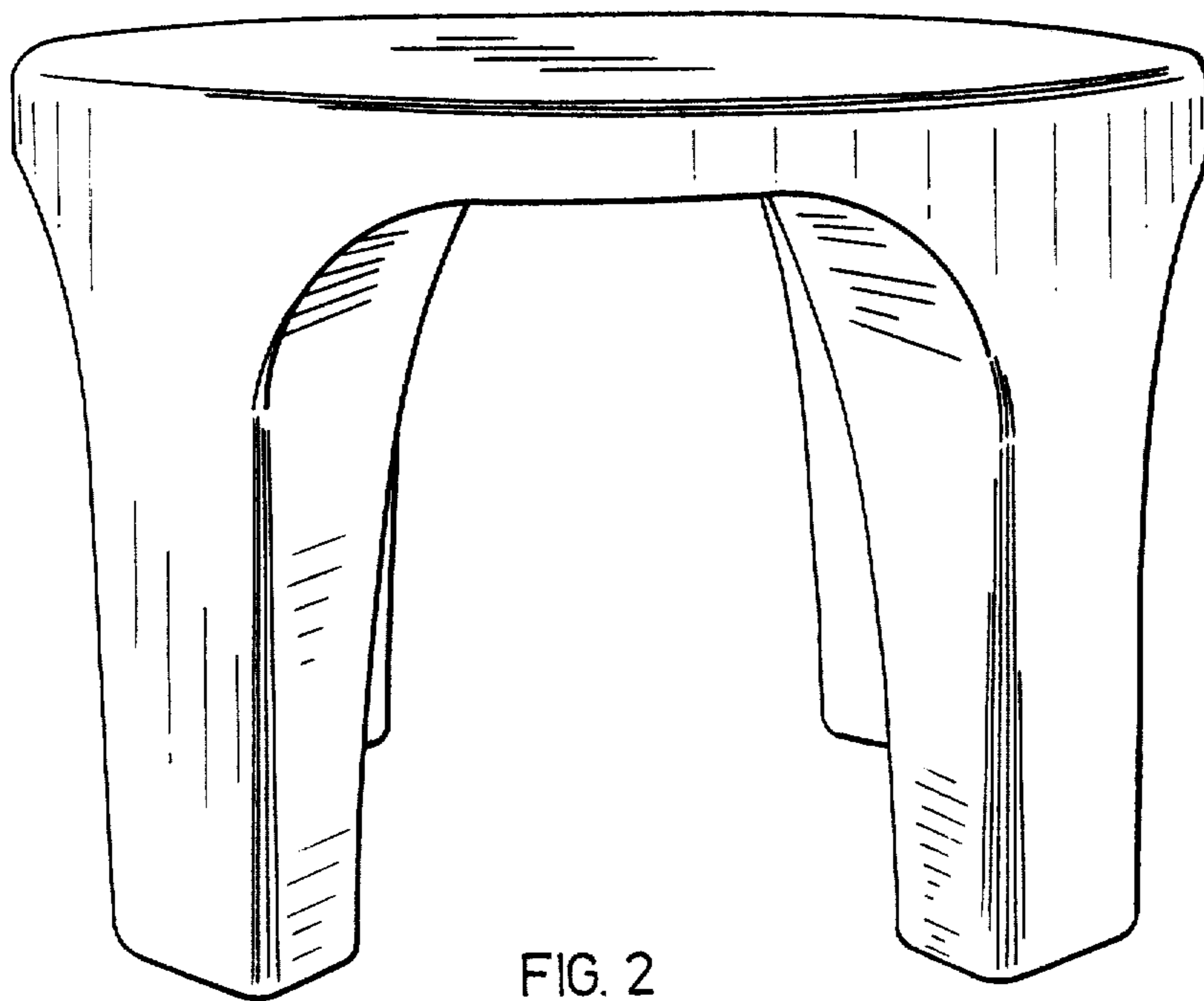


FIG. 2

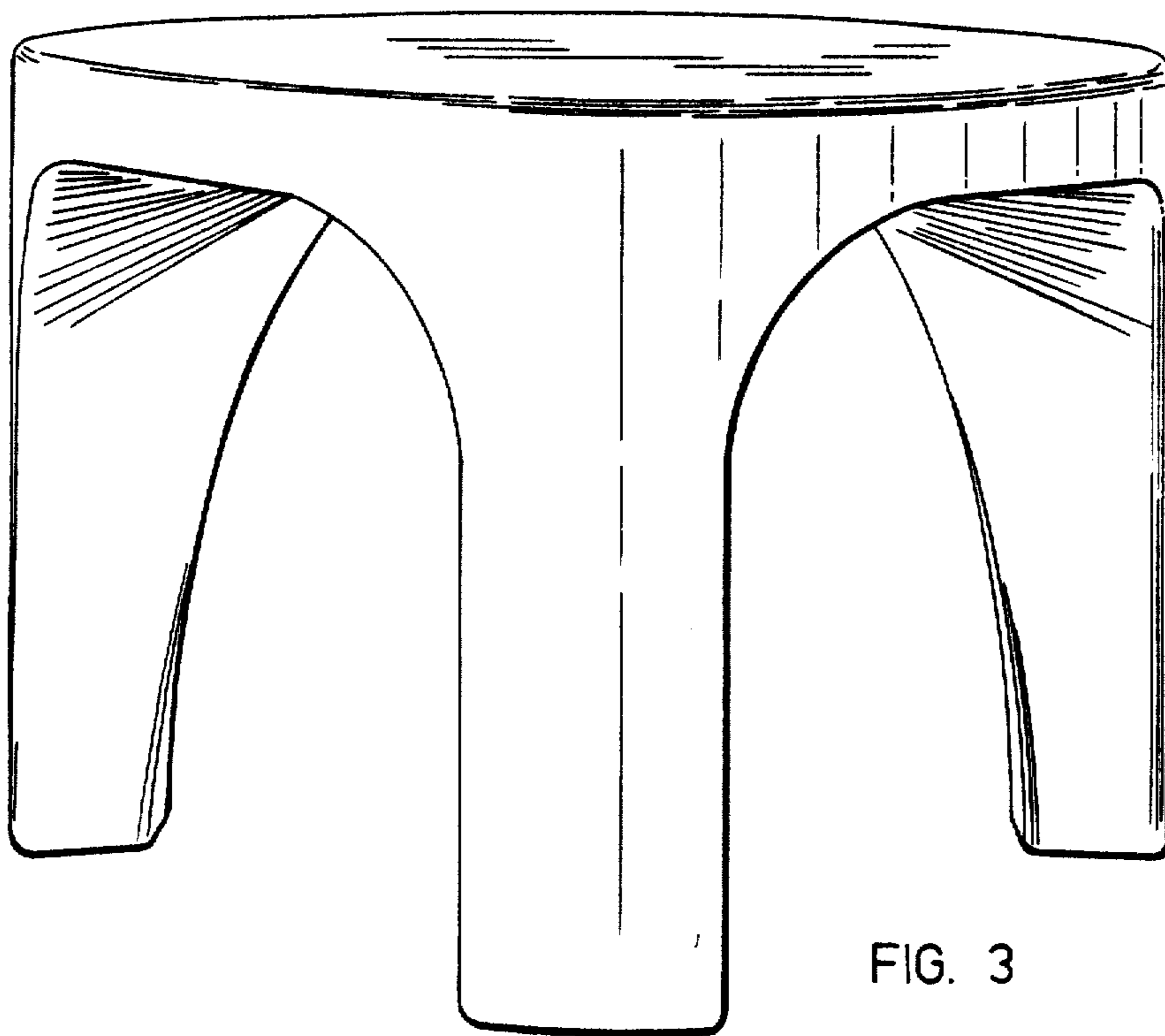


FIG. 3

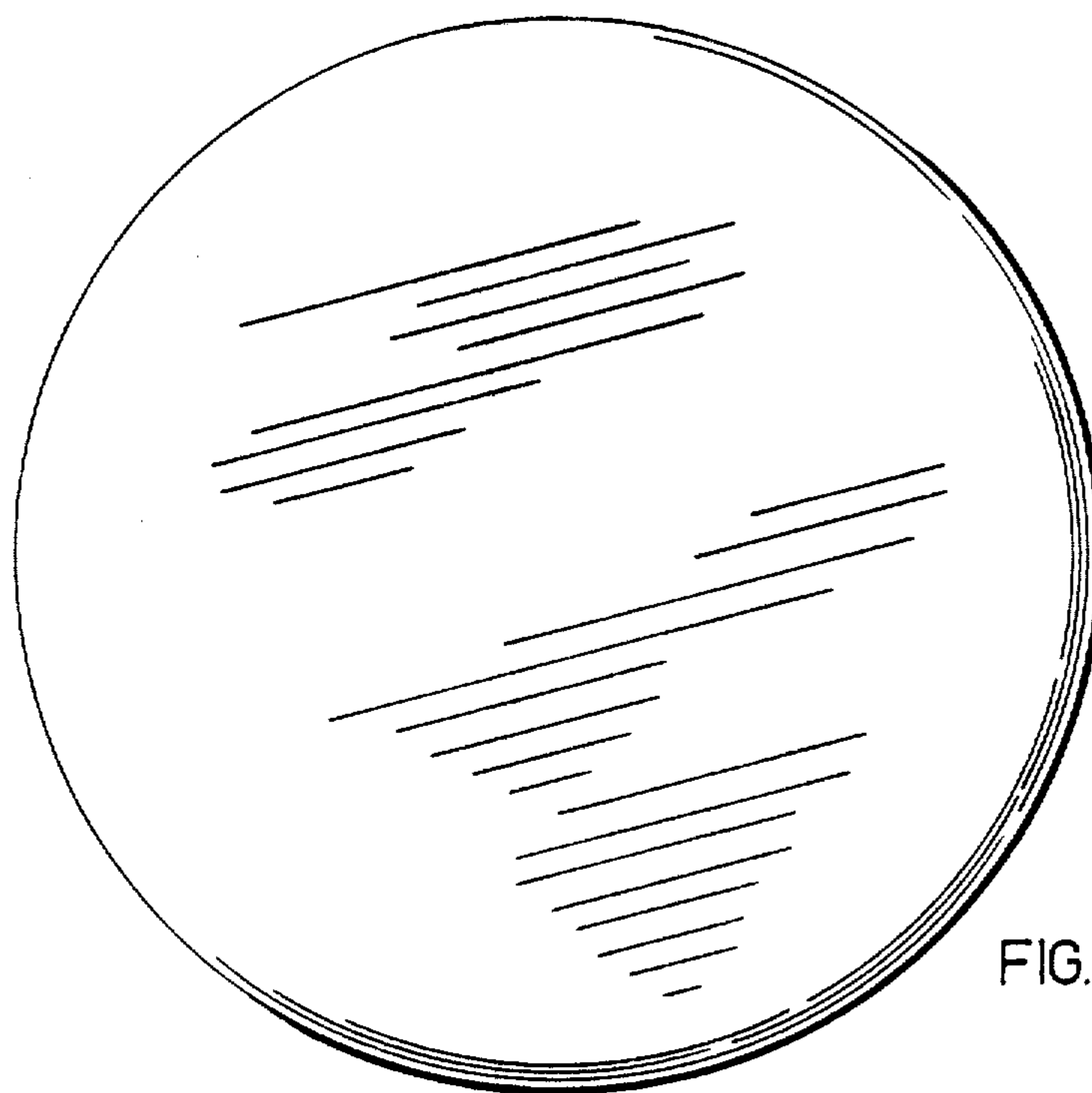


FIG. 4