

- [54] SEAT
- [76] Inventor: **Barry Bruhoff**, 201 Valley Rd., Sausalito, Calif. 94965
- [\*\*] Term: **14 Years**
- [21] Appl. No.: **157,557**
- [22] Filed: **Jun. 9, 1980**
- [51] Int. Cl. .... **D6-01**
- [52] U.S. Cl. .... **D6/71; D6/63**
- [58] Field of Search ..... **D6/37-39, D6/47-78; 297/432, 433**

- [56] **References Cited**  
**U.S. PATENT DOCUMENTS**  
D. 257,300 10/1980 Fisher ..... D6/63

**OTHER PUBLICATIONS**  
Interiors, 8-1971, p. 114, Sofa by ICF.  
Schweiger brochure, "Laguna" GP., Sofa No. 2745-1178.

Schweiger brochure, "Antigua"GP., Sofa No. 2761-1585.

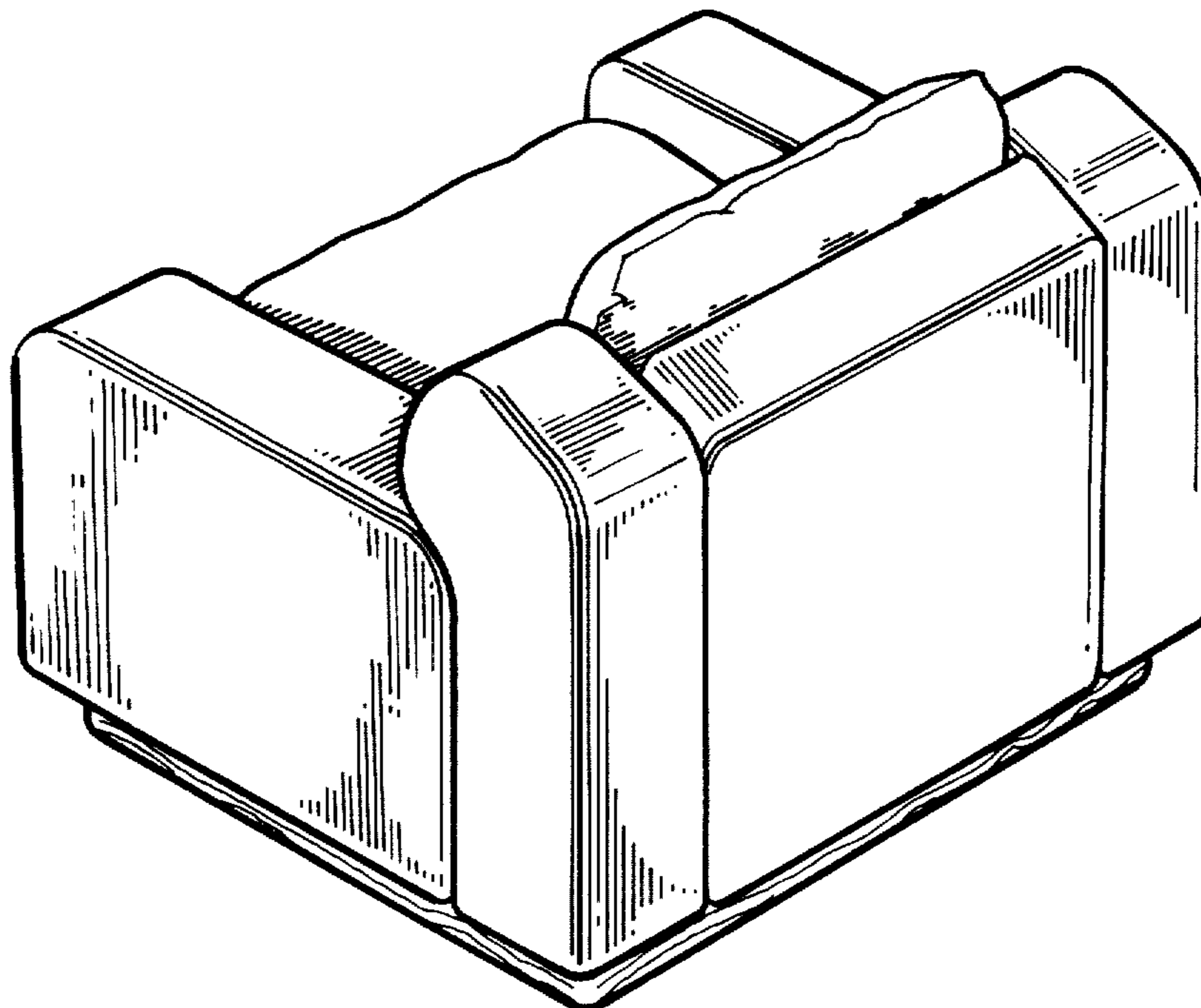
*Primary Examiner*—Bruce W. Dunkins  
*Attorney, Agent, or Firm*—Phillips, Moore, Lempio & Majestic

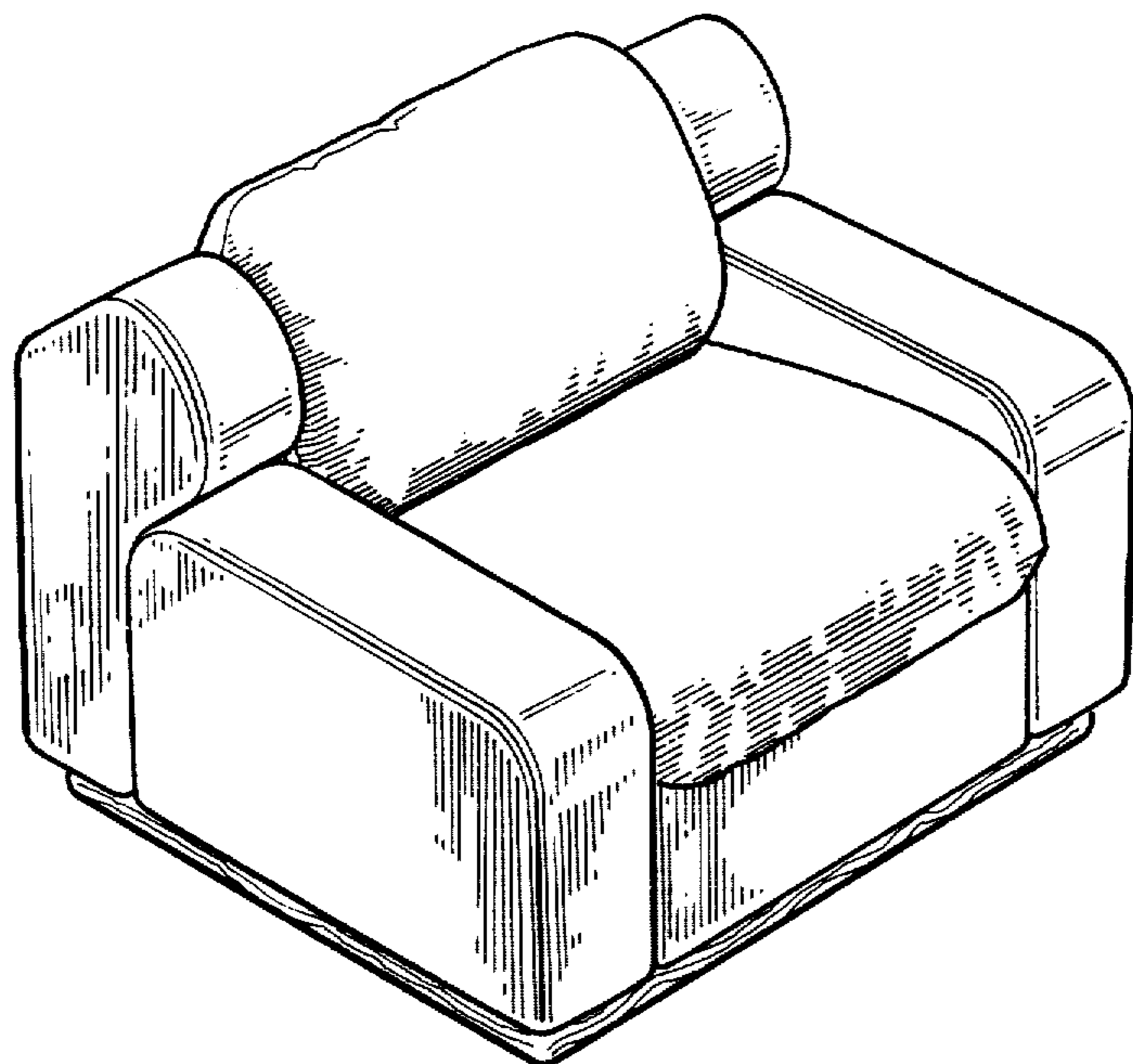
[57] **CLAIM**

The ornamental design for a seat, substantially as shown and described.

**DESCRIPTION**

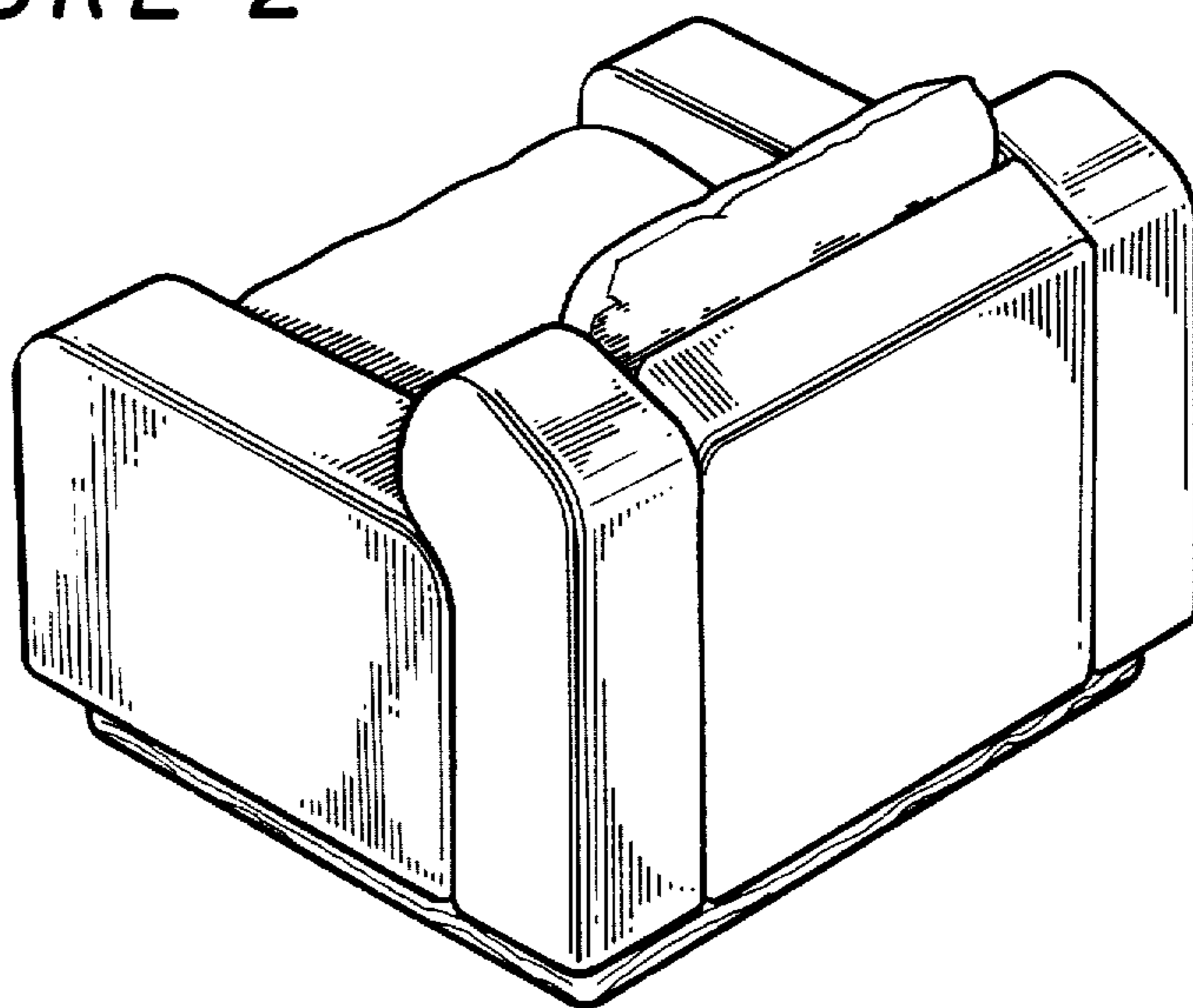
FIG. 1 is a front perspective view of a seat embodying my new design, shown in the form of a chair; FIG. 2 is a rear perspective view thereof; FIG. 3 is a front perspective view of a seat embodying my new design, shown in the form of a sofa; FIG. 4 is a rear perspective view thereof; and FIG. 5 is a front perspective view of a seat showing my design in the form of a sectional sofa. The end and rear surfaces not shown in FIG. 5 are substantially the same in appearance as the end and rear surfaces disclosed in FIG. 4.

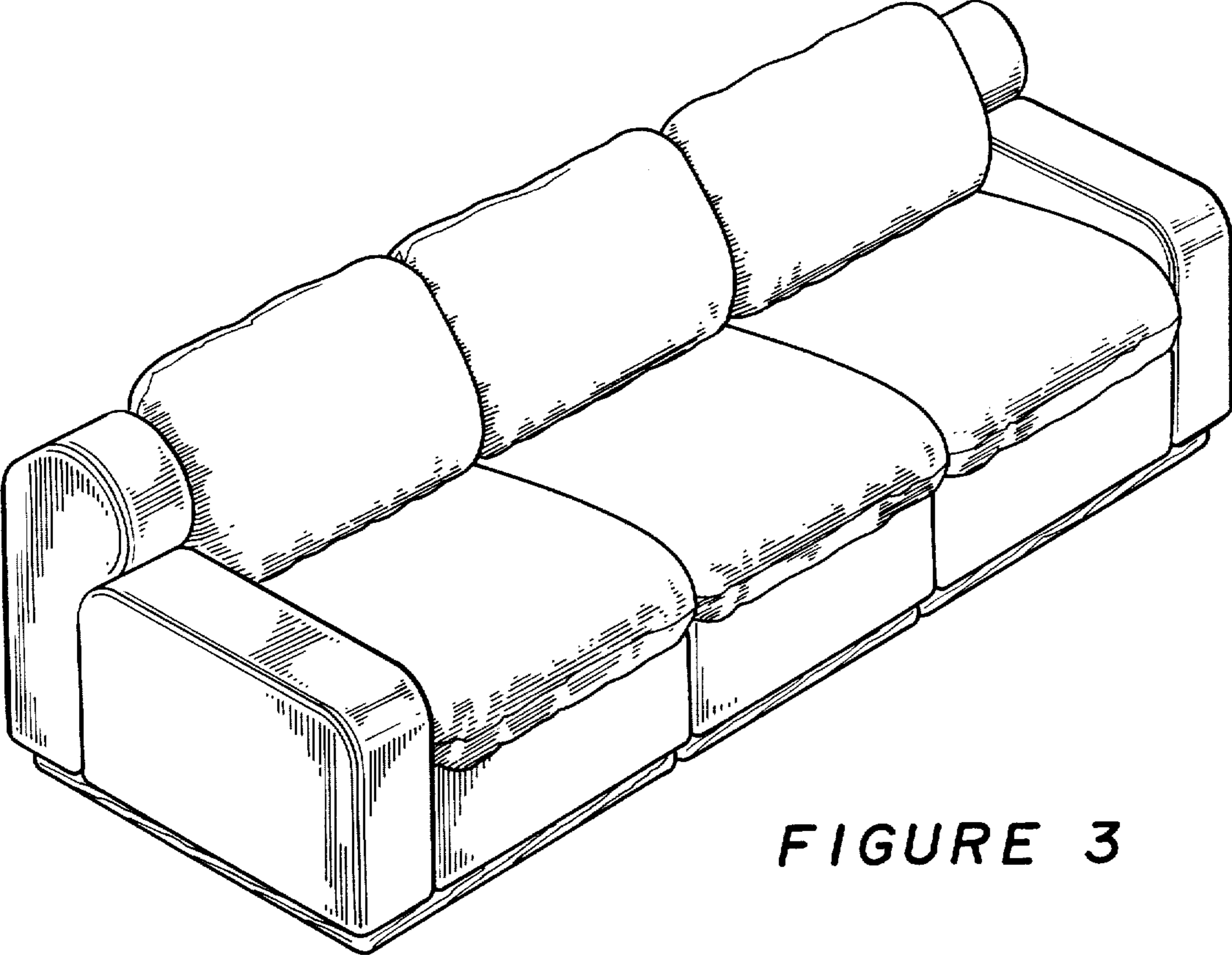




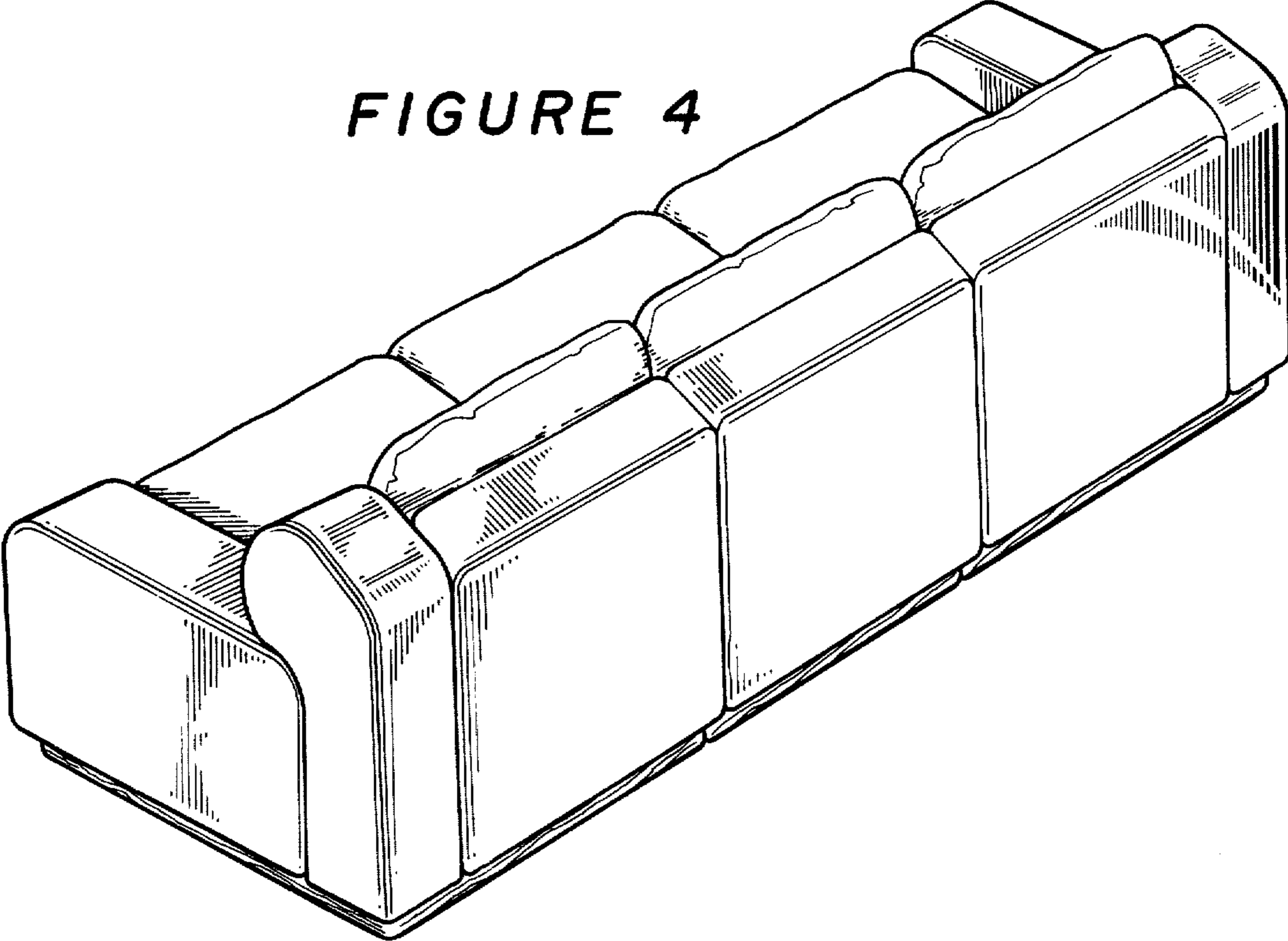
*FIGURE 1*

*FIGURE 2*





**FIGURE 3**



**FIGURE 4**

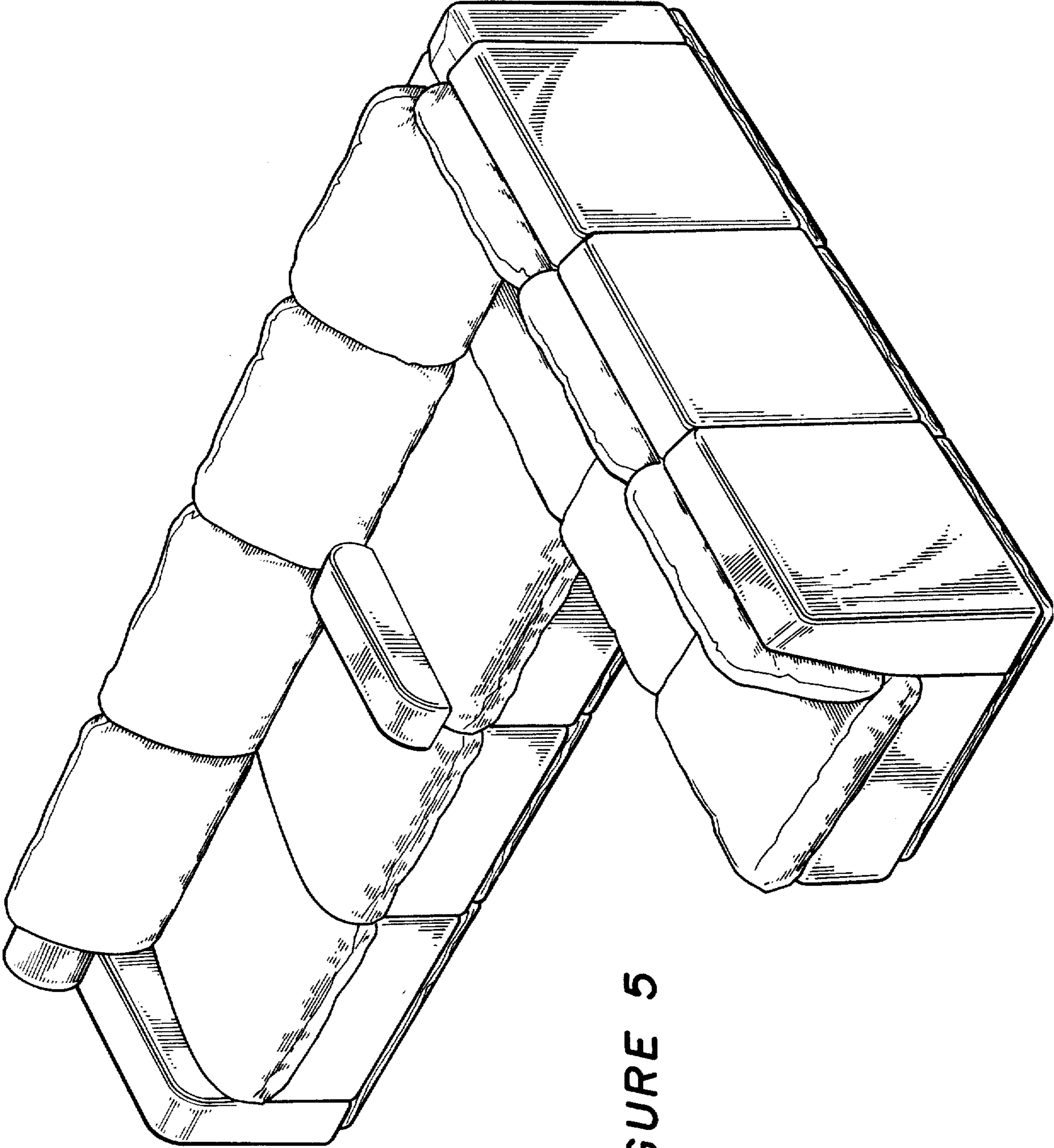


FIGURE 5