

[54] VIDEO CASSETTE STORAGE CONTAINER

[75] Inventors: Robert A. Basili, Waldwick; William B. Wilson, Middlesex, both of N.J.

[73] Assignee: Plastic Reel Corp. of America, Wood Ridge, N.J.

[\*\*] Term: 14 Years

[21] Appl. No.: 182,063

[22] Filed: Aug. 28, 1980

[51] Int. Cl. .... D3-02

[52] U.S. Cl. .... D3/35; D3/78; D14/11

[58] Field of Search ..... D3/33, 35, 78; D14/6, D14/11; 206/387, 493

[56] References Cited

U.S. PATENT DOCUMENTS

D. 239,736	4/1976	Dudley et al. ....	D14/11
D. 257,649	12/1980	Belgin .....	D3/35
D. 262,414	12/1981	Long et al. ....	D3/35
4,011,940	3/1977	Neal .....	206/387

4,184,594 1/1980 Hehn ..... 206/387

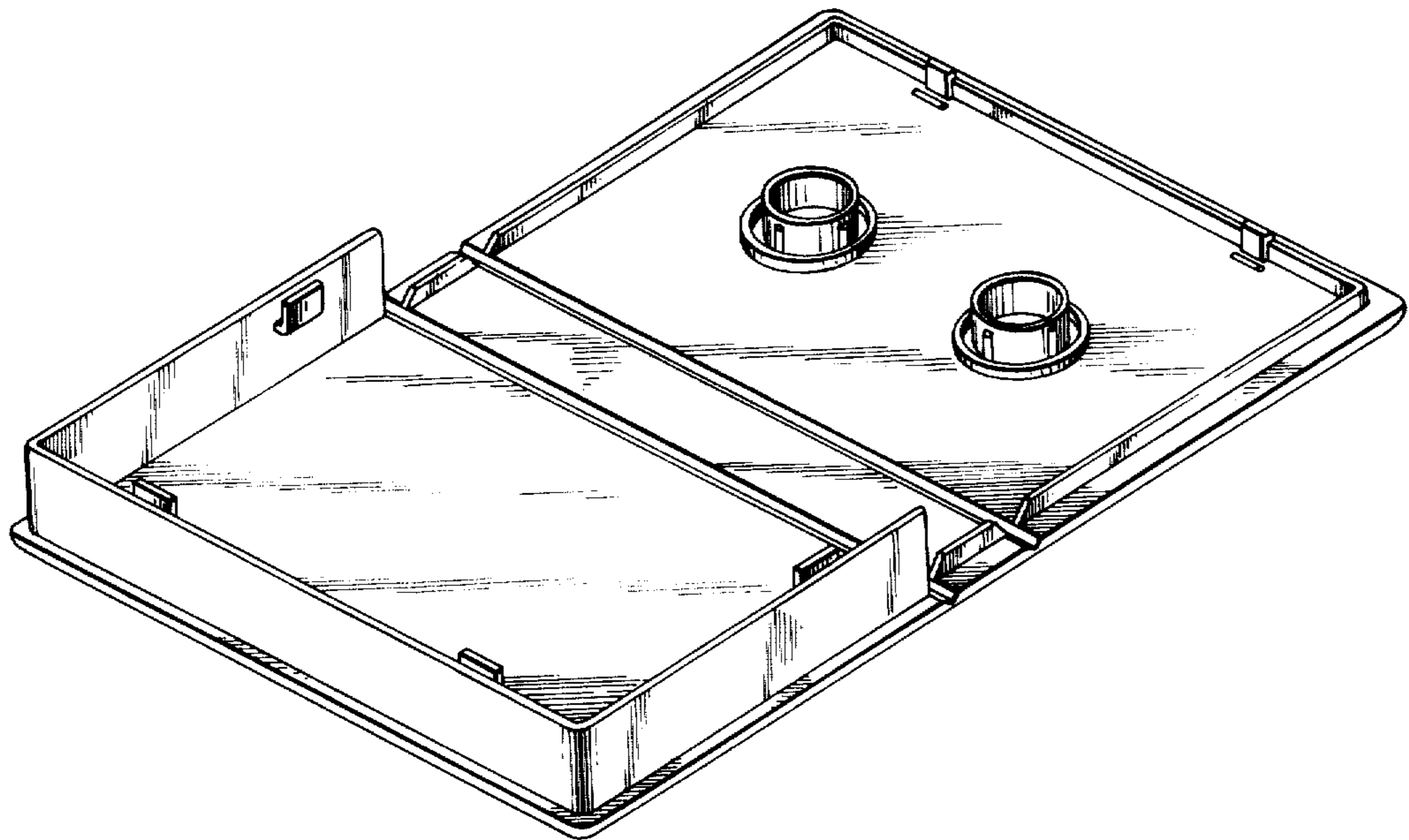
Primary Examiner—George P. Word  
Attorney, Agent, or Firm—Hedman, Casella, Gibson & Costigan

[57] CLAIM

The ornamental design for a video cassette storage container, as shown and described.

DESCRIPTION

FIG. 1 is a perspective view of a video cassette storage container showing my new design;  
 FIG. 2 is a top plan view thereof;  
 FIG. 3 is an end elevational view taken from the bottom of FIG. 2;  
 FIG. 4 is a side elevational view taken from the left of FIG. 2;  
 FIG. 5 is a side elevational view taken from the right of FIG. 2;  
 FIG. 6 is a bottom plan view thereof;  
 FIG. 7 is a cross sectional view taken along line 7—7 in FIG. 2; and  
 FIG. 8 is a fragmentary cross sectional view taken along line 8—8 in FIG. 2.



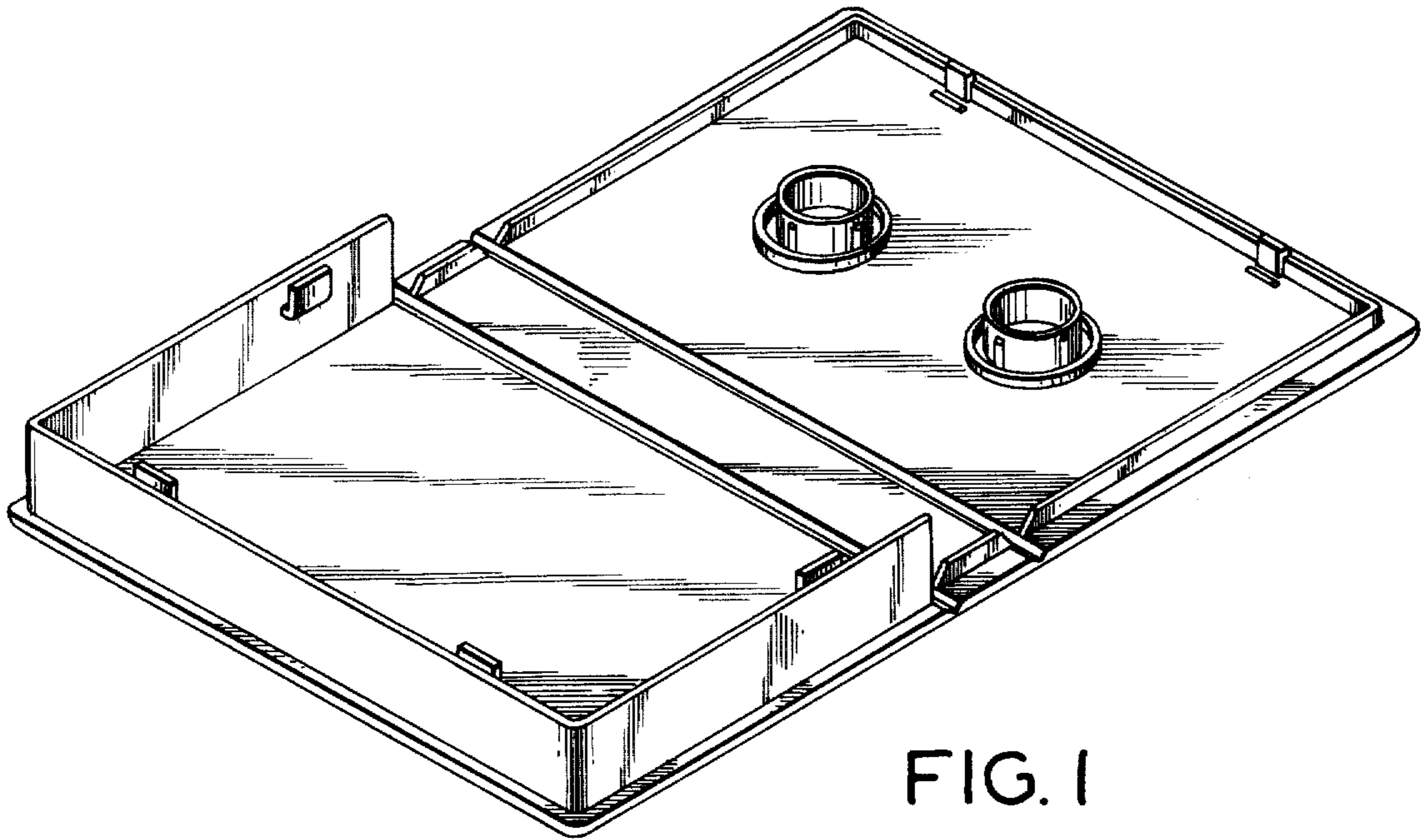


FIG. 1

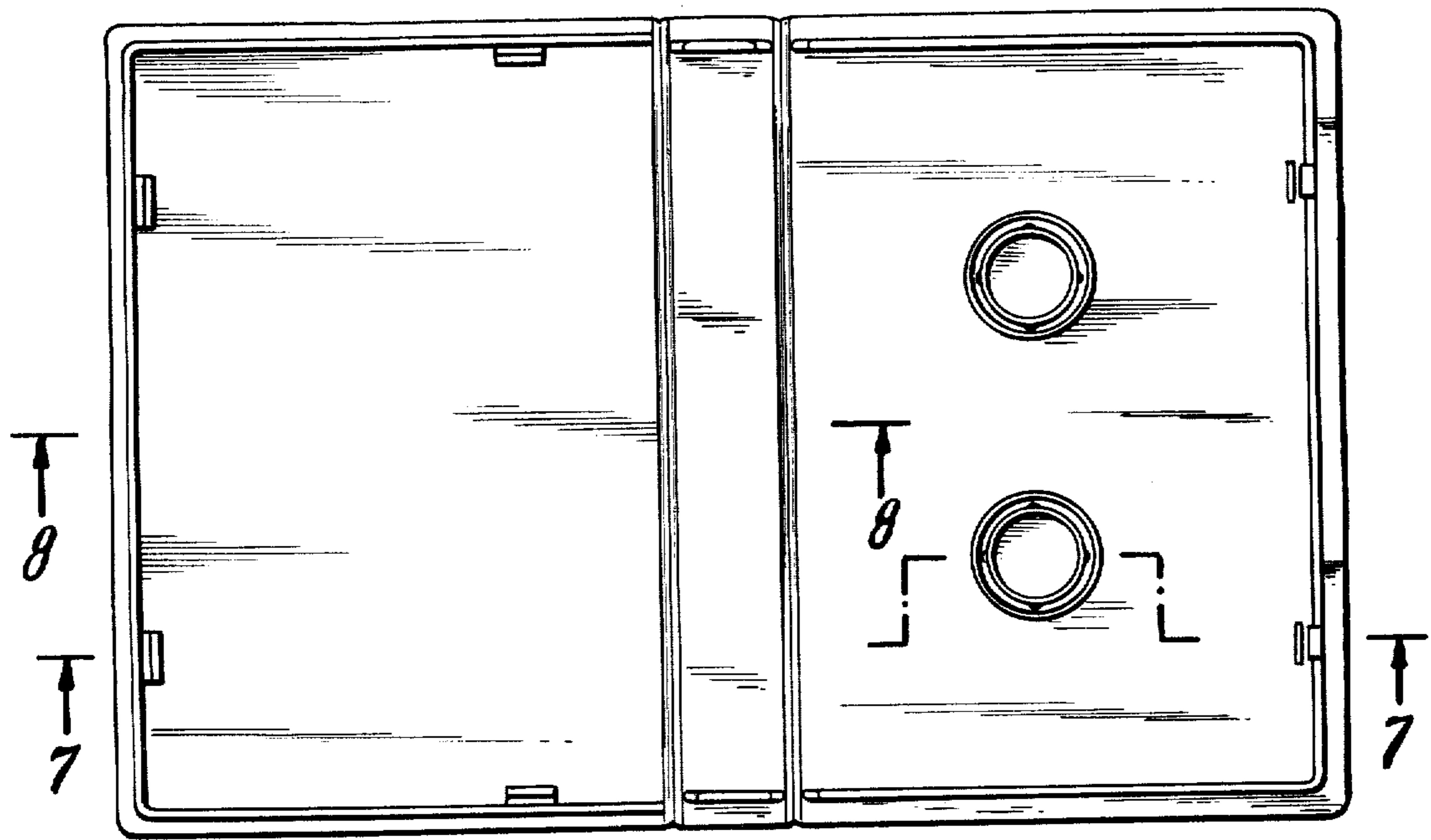


FIG. 2

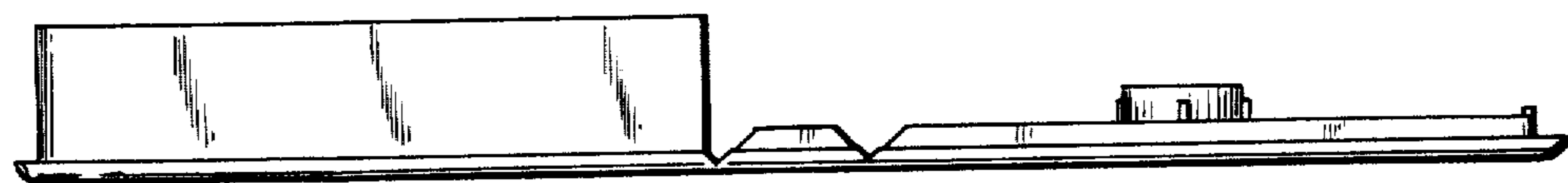


FIG. 3

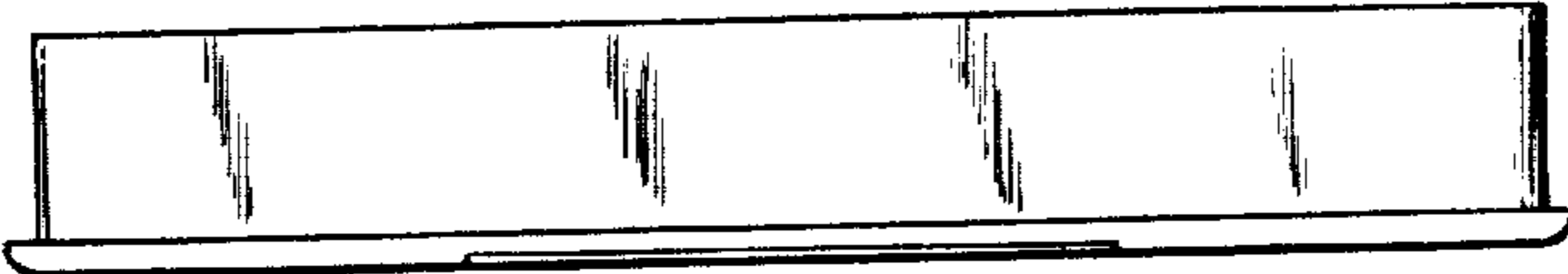


FIG. 4



FIG. 5

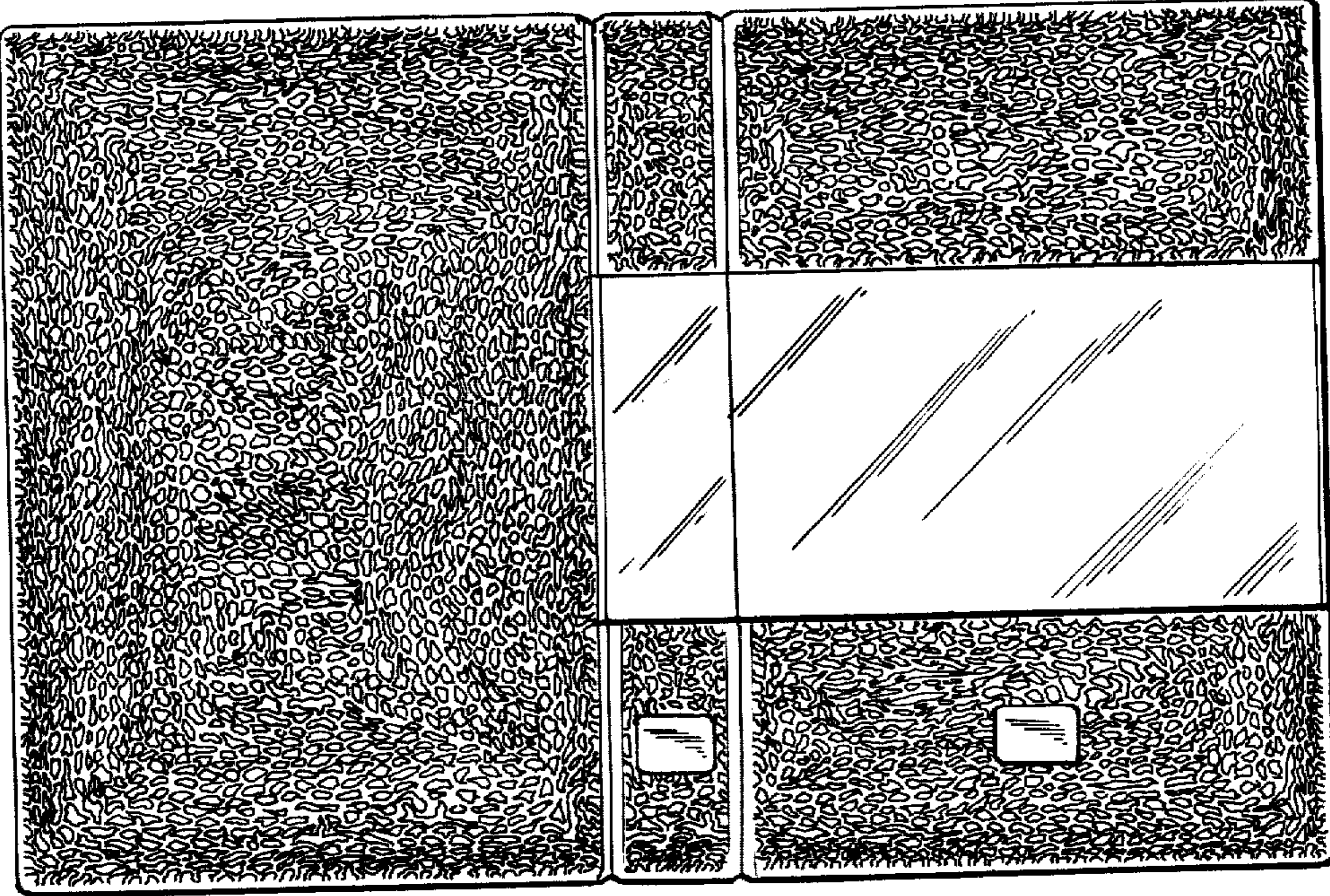


FIG. 6

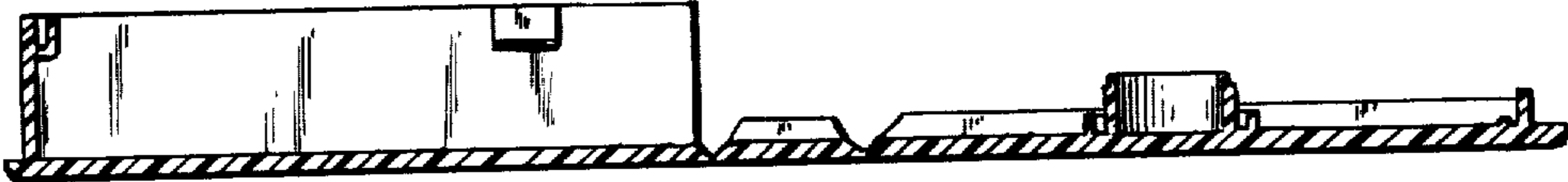


FIG. 7

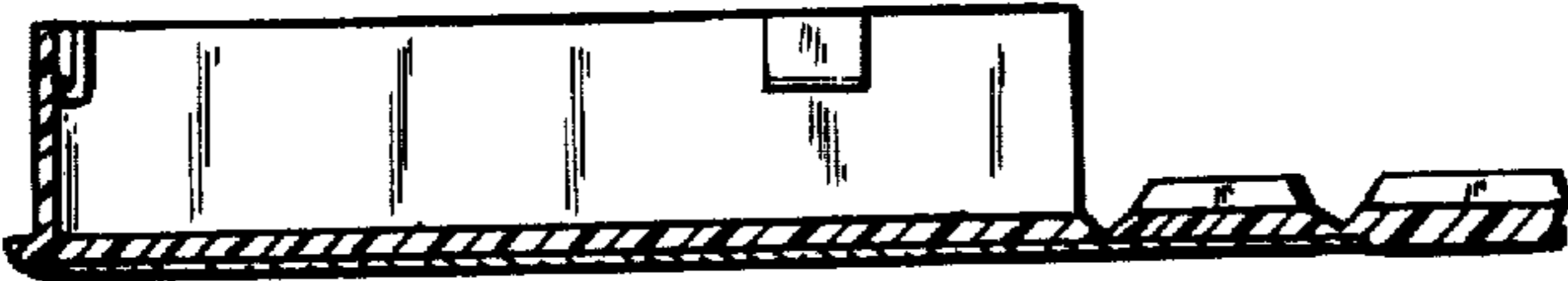


FIG. 8