

[54] STORAGE-PREVENTING BASE FOR SHOPPING CART

[75] Inventor: Daniel Berlin, Rydal, Pa.

[73] Assignee: Roblin Industries, Inc., Battle Creek, Mich.

[**] Term: 14 Years

[21] Appl. No.: 146,539

[22] Filed: May 2, 1980

[51] Int. Cl. D12-02

[52] U.S. Cl. D34/17

[58] Field of Search D12/25, 29; 280/33.99 R, 33.99 F, 33.99 S; D34/17

[56] References Cited

U.S. PATENT DOCUMENTS

D. 190,279	5/1961	Hummer	D12/25
3,078,102	2/1963	Sides	280/33.99 R
4,084,832	4/1978	Upshaw	280/33.99 S

OTHER PUBLICATIONS

United Model 1295, Form No. 13-676, Model 1295 Shopping Cart.

United Model 695, Form No. 40-8-77, Model 695 Shopping Cart.

United Model 1976, Form No. 36-8-77, Model 1976 Shopping Cart.

Primary Examiner—James M. Gandy
Attorney, Agent, or Firm—Blanchard, Flynn, Thiel, Boutell & Tanis

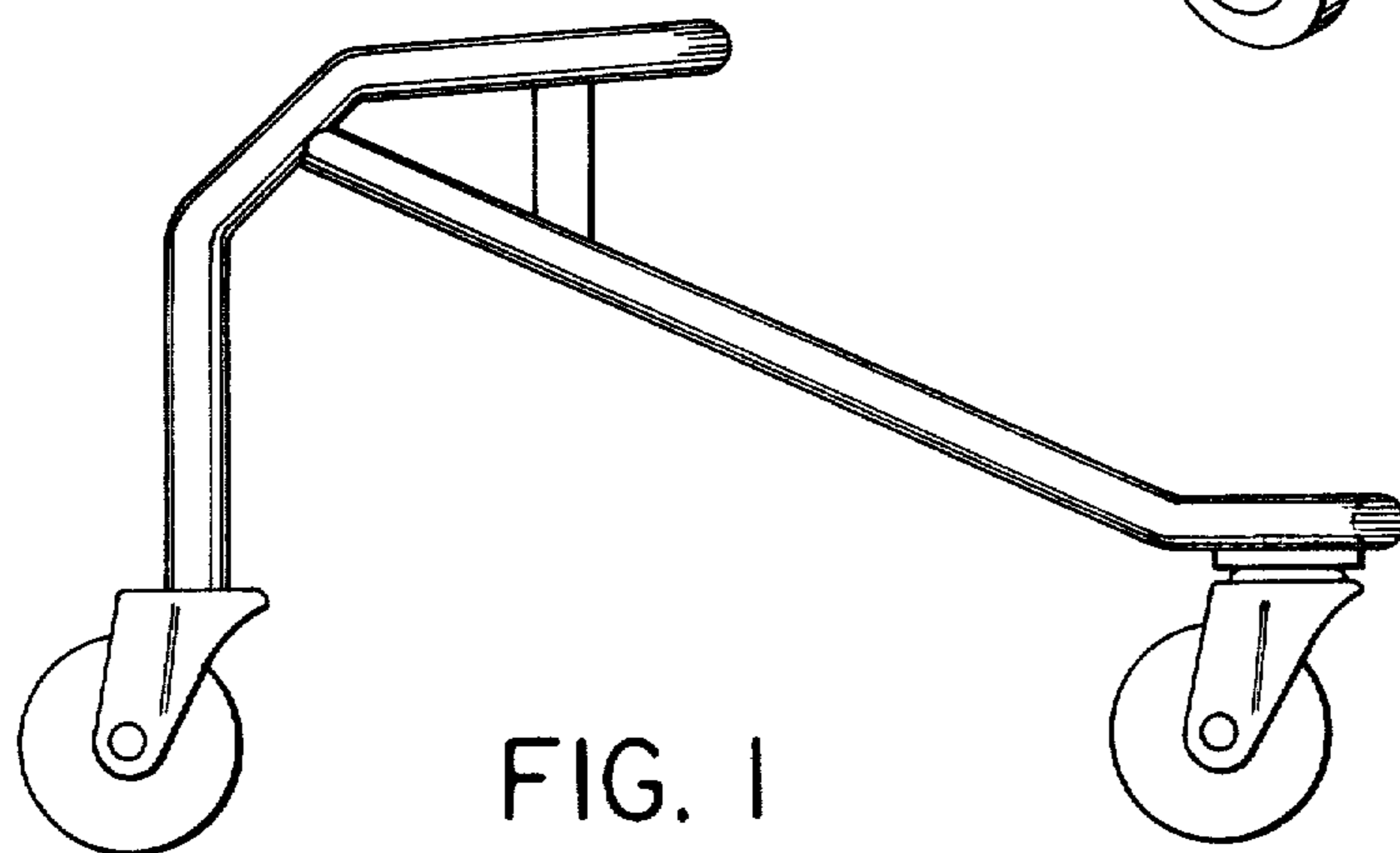
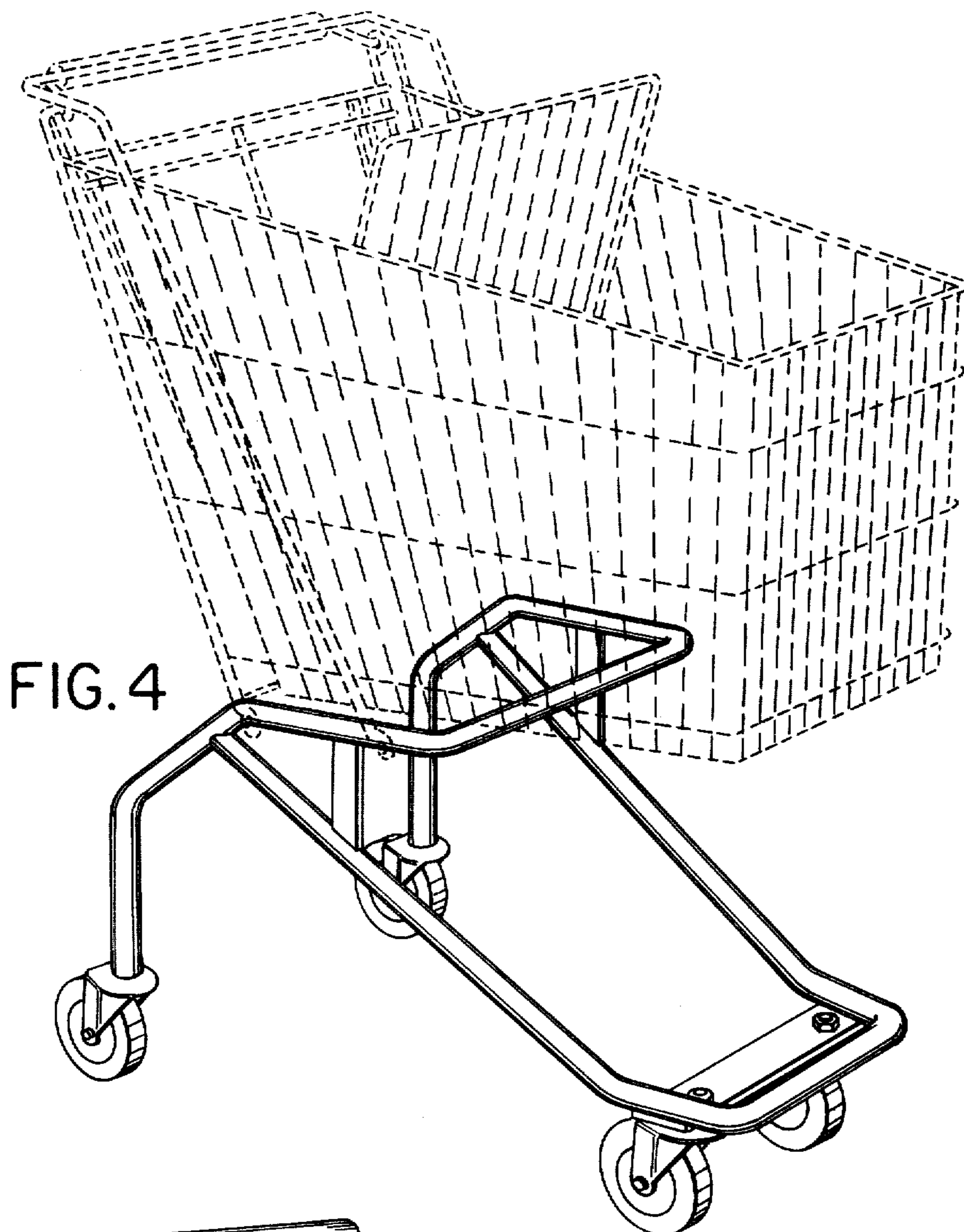
[57] CLAIM

The ornamental design for a storage-preventing base for shopping cart, as shown and described.

DESCRIPTION

FIG. 1 is a side elevational view of a storage-preventing base for shopping cart showing my new design; FIG. 2 is a top plan view thereof; FIG. 3 is a front elevational view thereof; and FIG. 4 is a perspective view thereof it being understood that the broken lines are for illustrative purposes only.





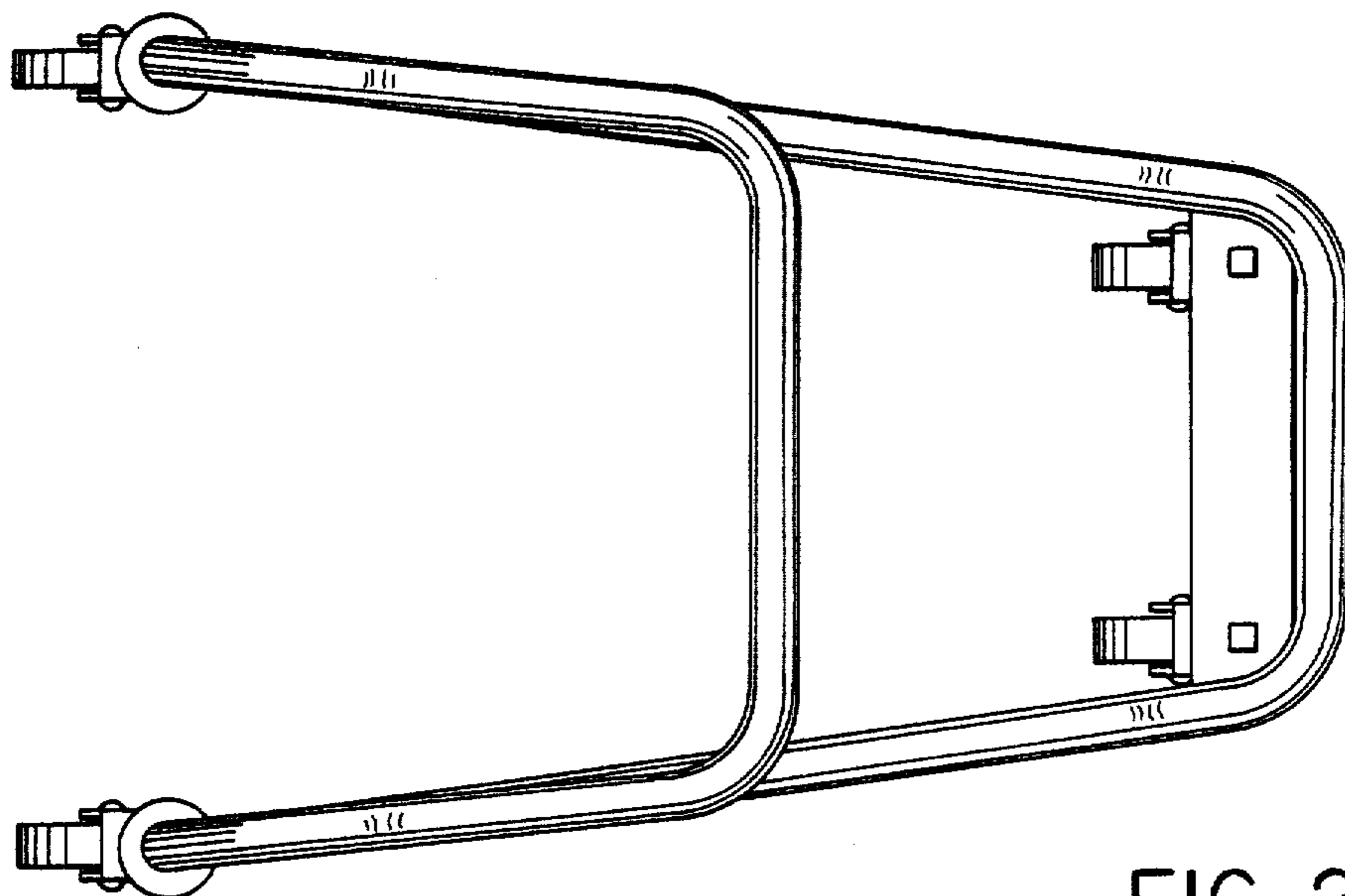


FIG 2

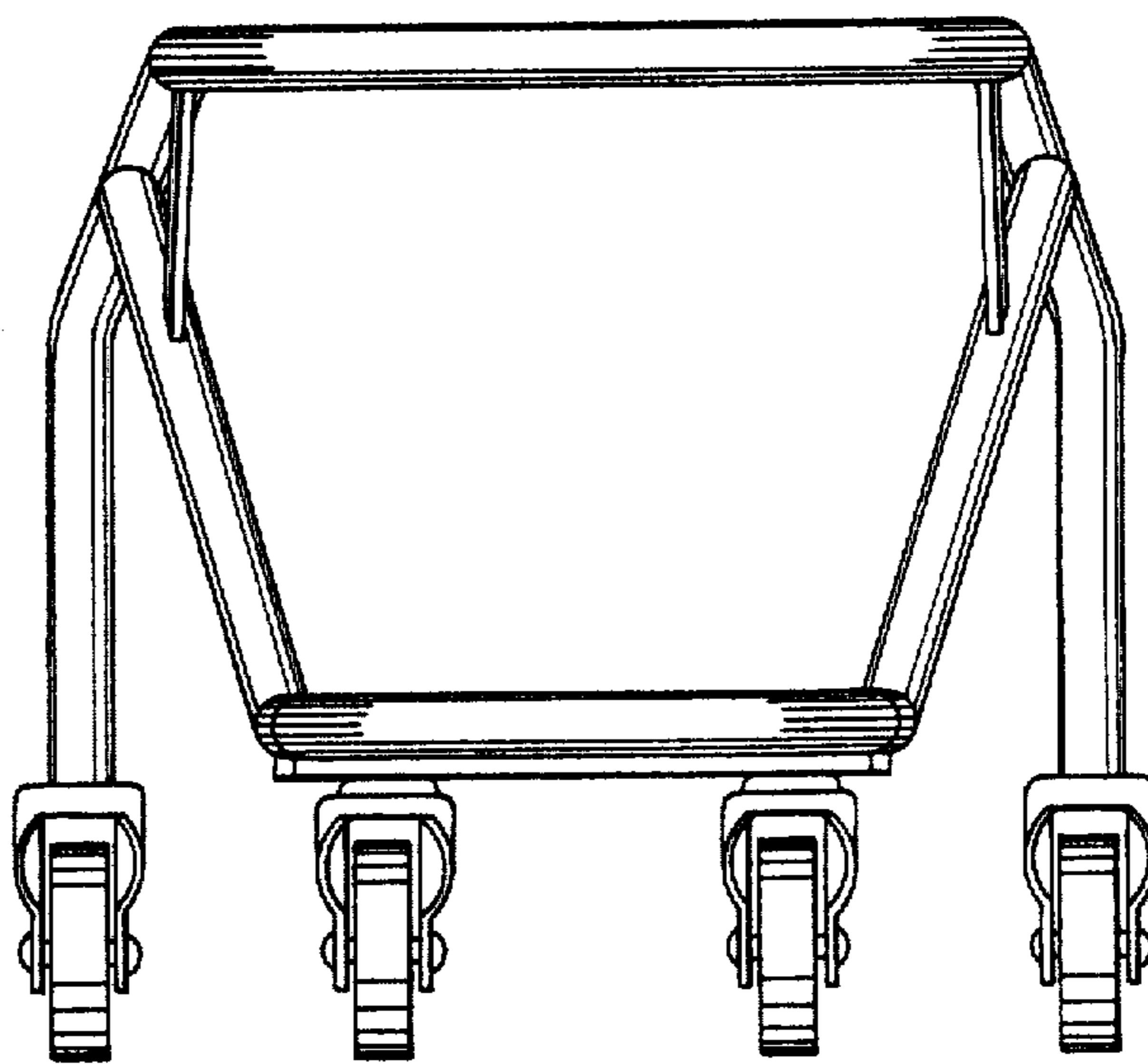


FIG. 3