

[54] STORAGE CART
 [75] Inventor: Richard S. Dunchock, Farmington Hills, Mich.
 [73] Assignee: SL Container Corporation, Southfield, Mich.
 [**] Term: 14 Years
 [21] Appl. No.: 145,891
 [22] Filed: May 2, 1980
 [51] Int. Cl. D12-02
 [52] U.S. Cl. D34/17
 [58] Field of Search D6/85; D34/17; 280/79, 280/79.1 R, 79.2, 79.3; 211/60 R

3,946,876 3/1976 Jay 211/60 R
 3,953,047 4/1976 Morgan D34/17

FOREIGN PATENT DOCUMENTS

1142007 2/1969 United Kingdom 280/79.3

Primary Examiner—B. J. Bullock
 Attorney, Agent, or Firm—Basile, Weintraub & Hanlon

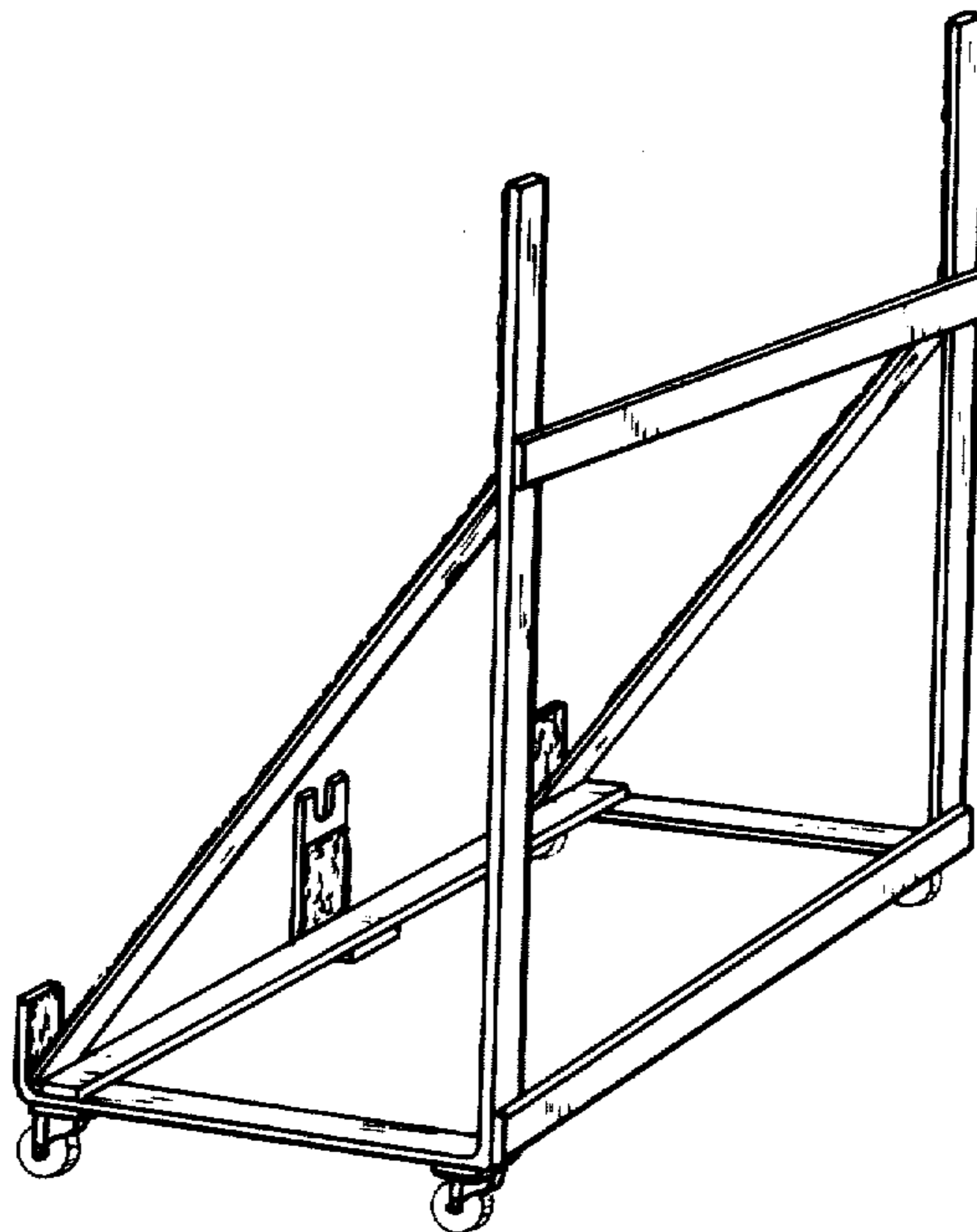
[57] CLAIM

The ornamental design for a storage cart, as shown.

DESCRIPTION

FIG. 1 is a rear perspective view illustrating a storage cart showing my new design;
 FIG. 2 is a front elevational view thereof;
 FIG. 3 is a rear elevational view thereof;
 FIG. 4 is a side elevational view taken from the right of FIG. 2;
 FIG. 5 is a side elevational view taken from the left of FIG. 2;
 FIG. 6 is a top plan view thereof;
 FIG. 7 is a bottom plan view thereof.

[56] References Cited
 U.S. PATENT DOCUMENTS
 D. 232,625 9/1974 Shiflet D34/17
 D. 237,597 11/1975 Clarke D34/17
 3,746,358 7/1973 Swick et al. 280/79.3



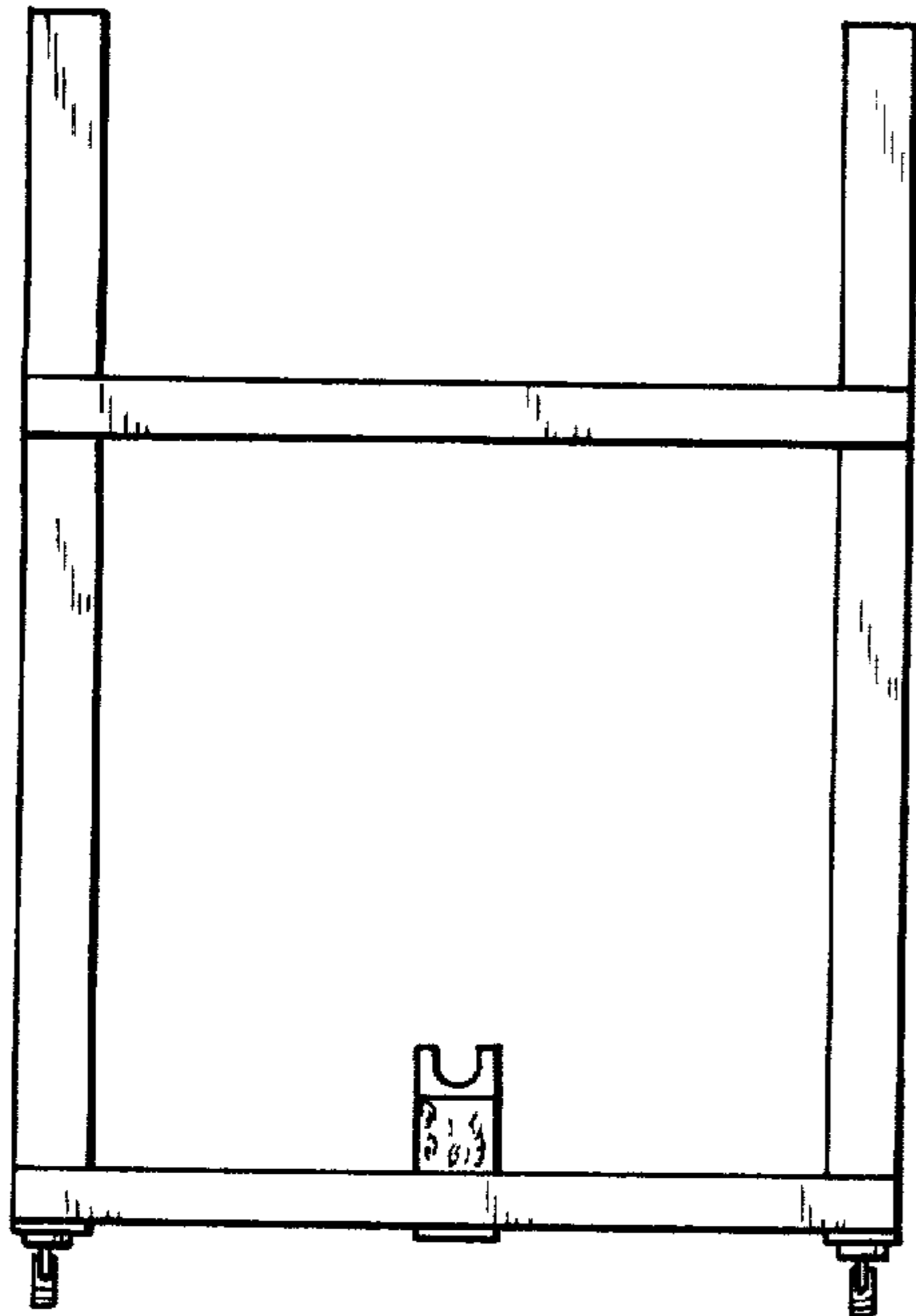


Fig-3

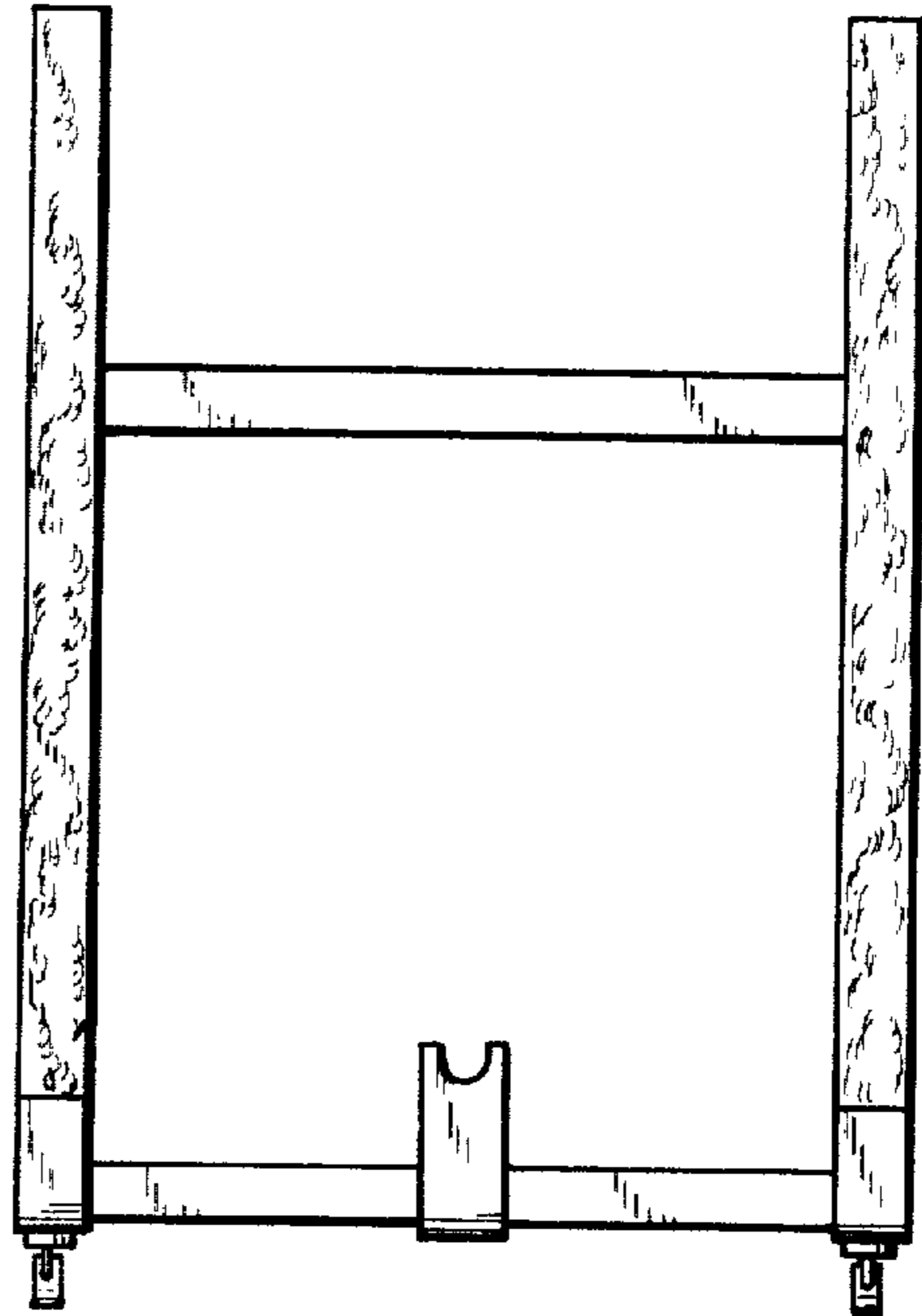


Fig-2

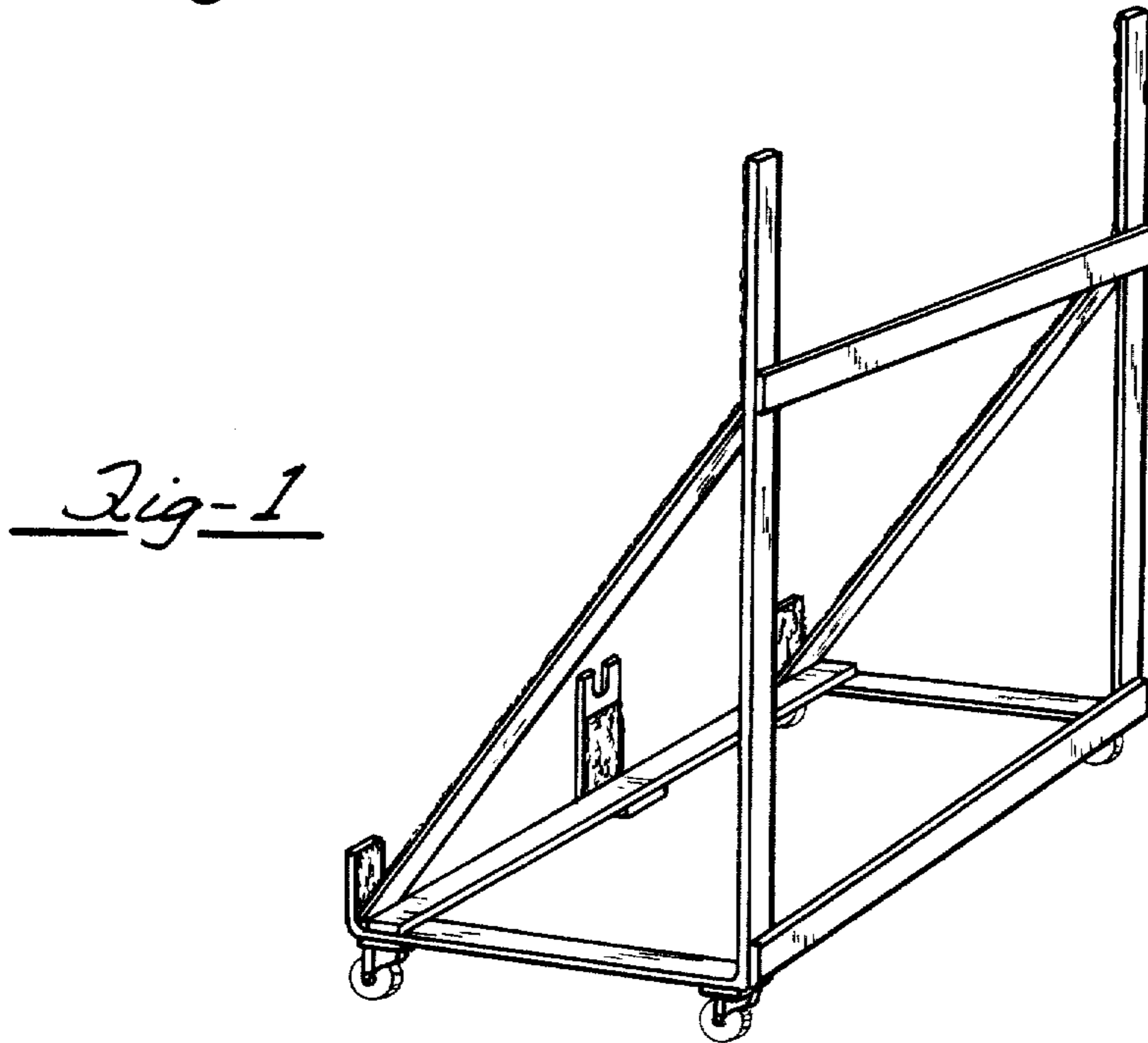


Fig-1

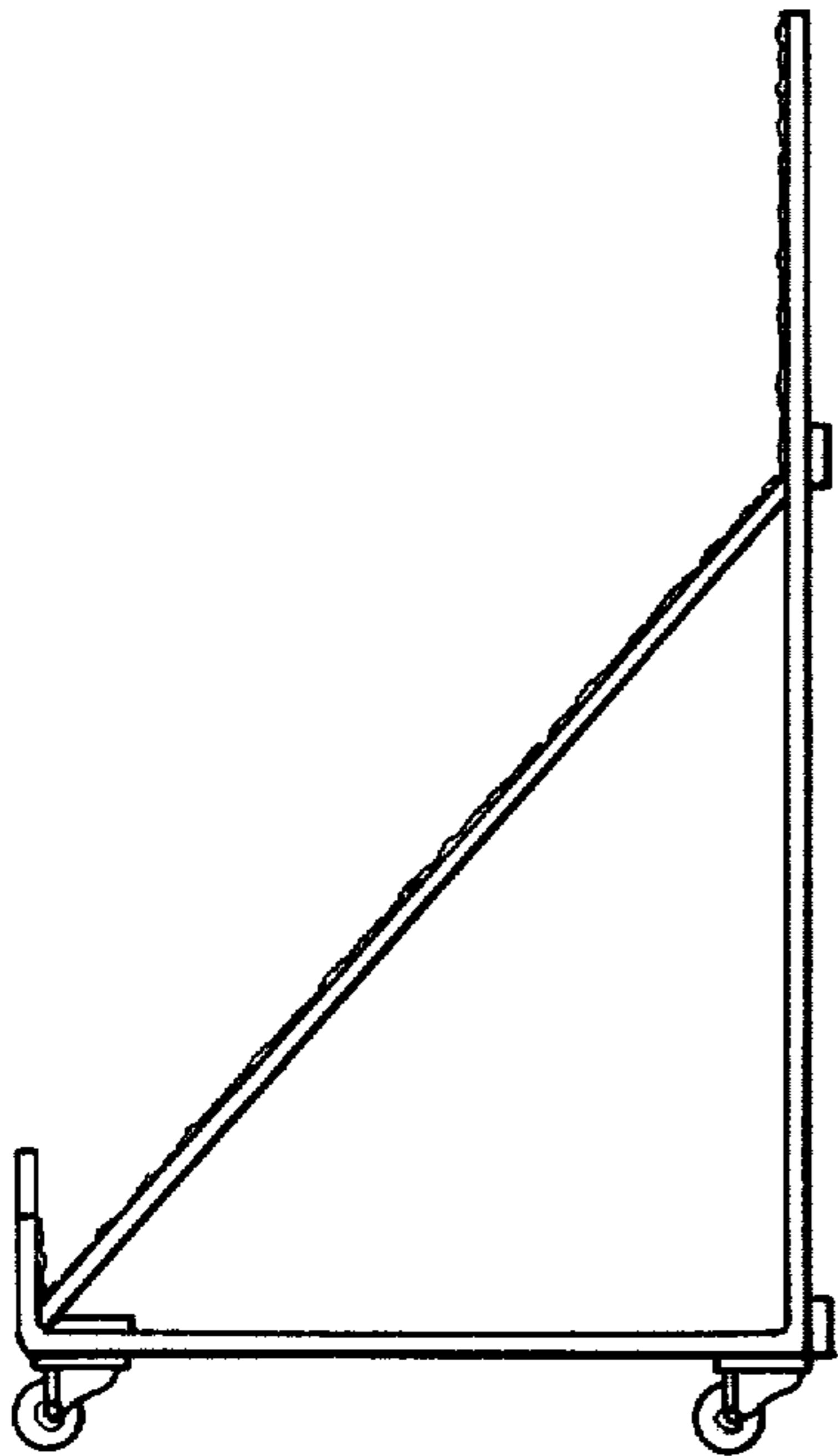


Fig-4

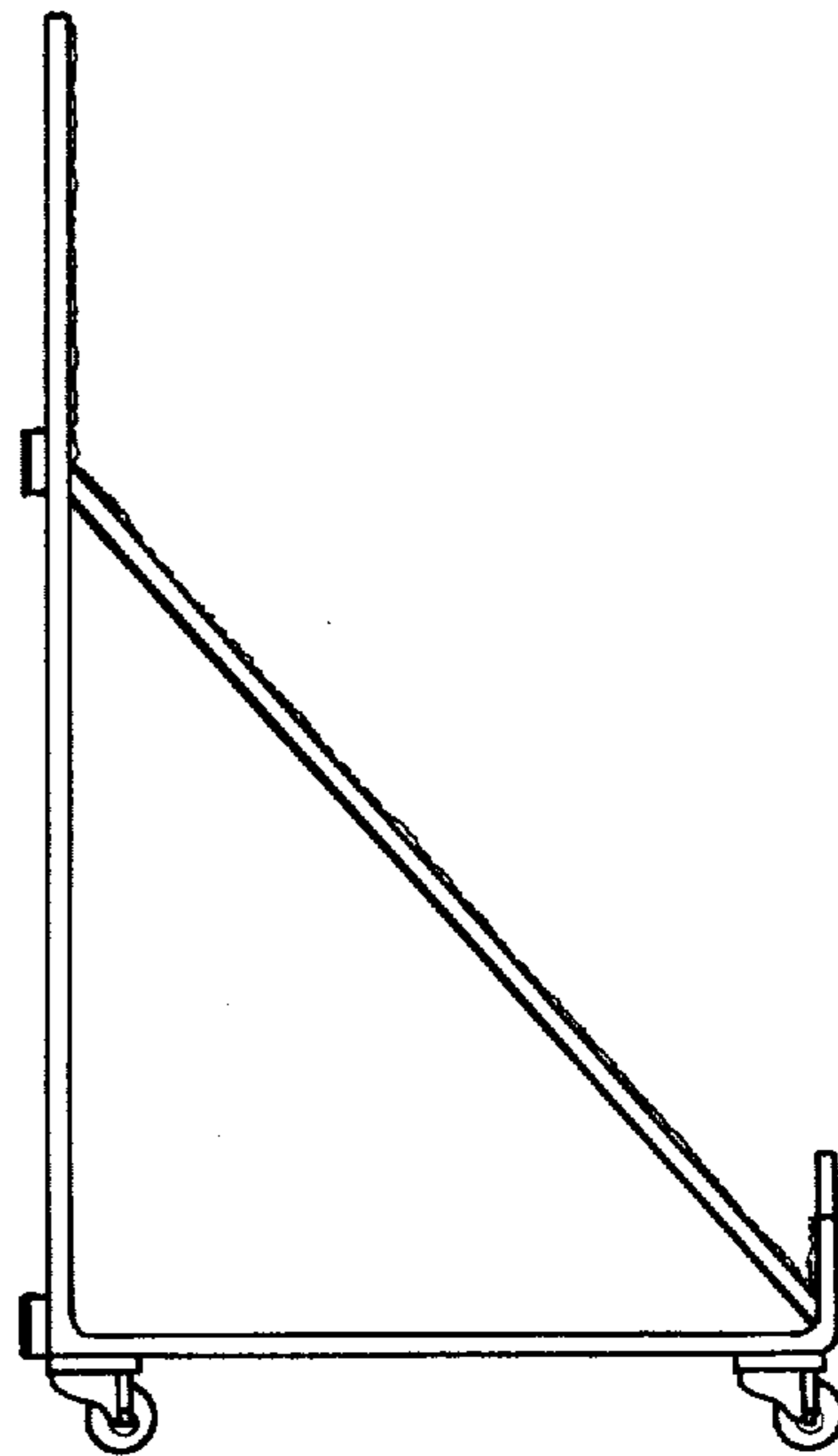


Fig-5

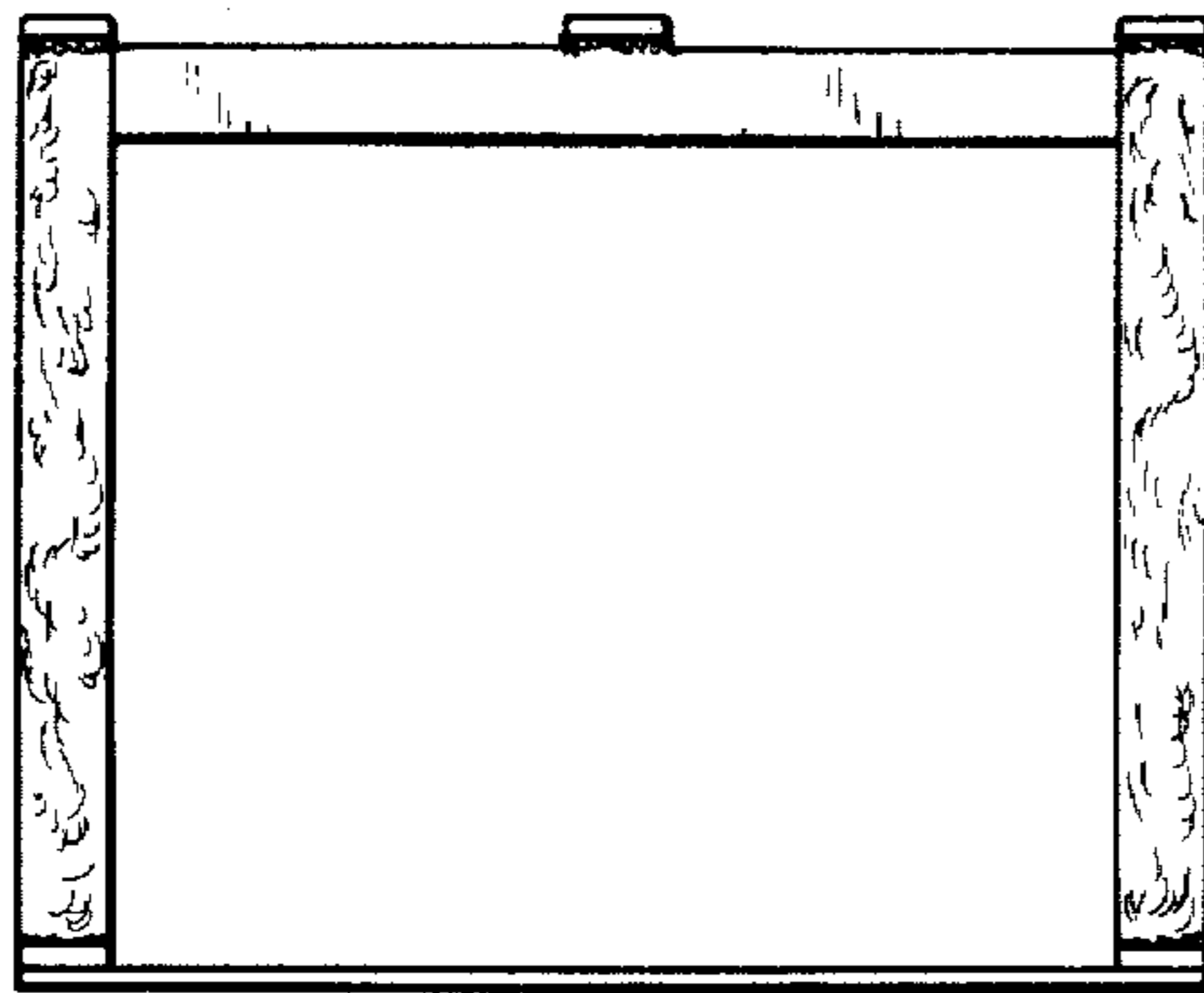


Fig-6

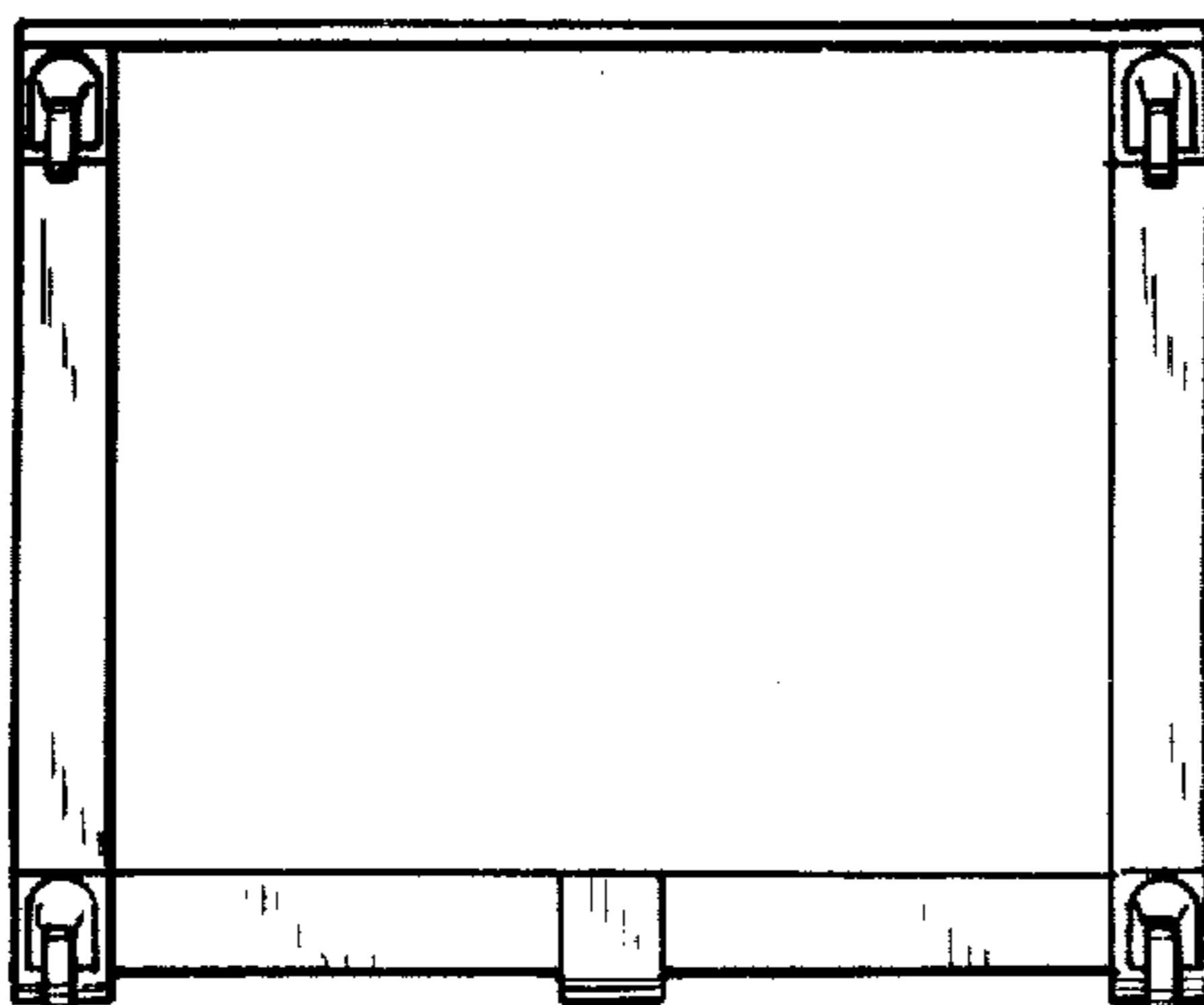


Fig-7

REEXAMINATION CERTIFICATE (393rd)
United States Patent [19] [11] **B1 Des. 265,517**
Dunchock [45] Certificate Issued **Oct. 1, 1985**

[54] **STORAGE CART**
[75] Inventor: **Richard S. Dunchock**, Farmington Hills, Mich.
[73] Assignee: **SL Container Corporation**, Southfield, Mich.

Reexamination Request:
No. 90/000,712, Jan. 23, 1985

Reexamination Certificate for:
Patent No.: **Des. 265,517**
Issued: **Jul. 20, 1982**
Appl. No.: **145,891**
Filed: **May 2, 1980**

[52] U.S. Cl. **D34/17**
[58] Field of Search 280/79.1 A, 47.34;
206/335; 211/13, 182; 248/176

[56] **References Cited**

U.S. PATENT DOCUMENTS

2,377,023	5/1945	Milburn	248/119
2,466,149	4/1949	Burg	280/57
2,681,233	6/1954	Smith	280/79.3
4,085,844	4/1978	Dunchock	206/335

OTHER PUBLICATIONS

The Star, (Mercedes Benz Club of America), 5/6/1979;
back page.

Primary Examiner—B. J. Bullock

**REEXAMINATION CERTIFICATE
ISSUED UNDER 35 U.S.C. 307**

NO AMENDMENTS HAVE BEEN MADE TO
THE PATENT

AS A RESULT OF REEXAMINATION, IT HAS
BEEN DETERMINED THAT:

5 The patentability of the claim is confirmed.

* * * * *

10

15

20

25

30

35

40

45

50

55

60

65