

[54] HAIR DRYER

[75] Inventors: Noboru Abe; Akio Goto, both of Kadoma, Japan; Florian Seiffert, Grunwald, Fed. Rep. of Germany

[73] Assignee: Matsushita Electric Works, Ltd., Osaka, Japan

[**] Term: 14 Years

[21] Appl. No.: 196,979

[22] Filed: Oct. 14, 1980

[30] Foreign Application Priority Data

Apr. 14, 1980 [JP] Japan 55-14867

[51] Int. Cl. D28-03

[52] U.S. Cl. D28/12

[58] Field of Search D28/10-19, D28/25; 34/96-98; 132/7, 9; 219/222

[56] References Cited

U.S. PATENT DOCUMENTS

D. 218,543	8/1970	Rams	D28/13
D. 248,575	7/1978	Janssens	D28/12
3,986,272	10/1976	Feierabend	34/97

Primary Examiner—Louis S. Zarfes
Attorney, Agent, or Firm—Sughrue, Mion, Zinn, Macpeak & Seas

[57] CLAIM

The ornamental design for a hair dryer, as shown.

DESCRIPTION

FIG. 1 is a front, top and right side perspective view of a hair dryer showing our new design;

FIG. 2 is a left side elevational view thereof;

FIG. 3 is a top plan view thereof;

FIG. 4 is a bottom plan view thereof;

FIG. 5 is a front elevational view thereof; and

FIG. 6 is a rear elevational view thereof.

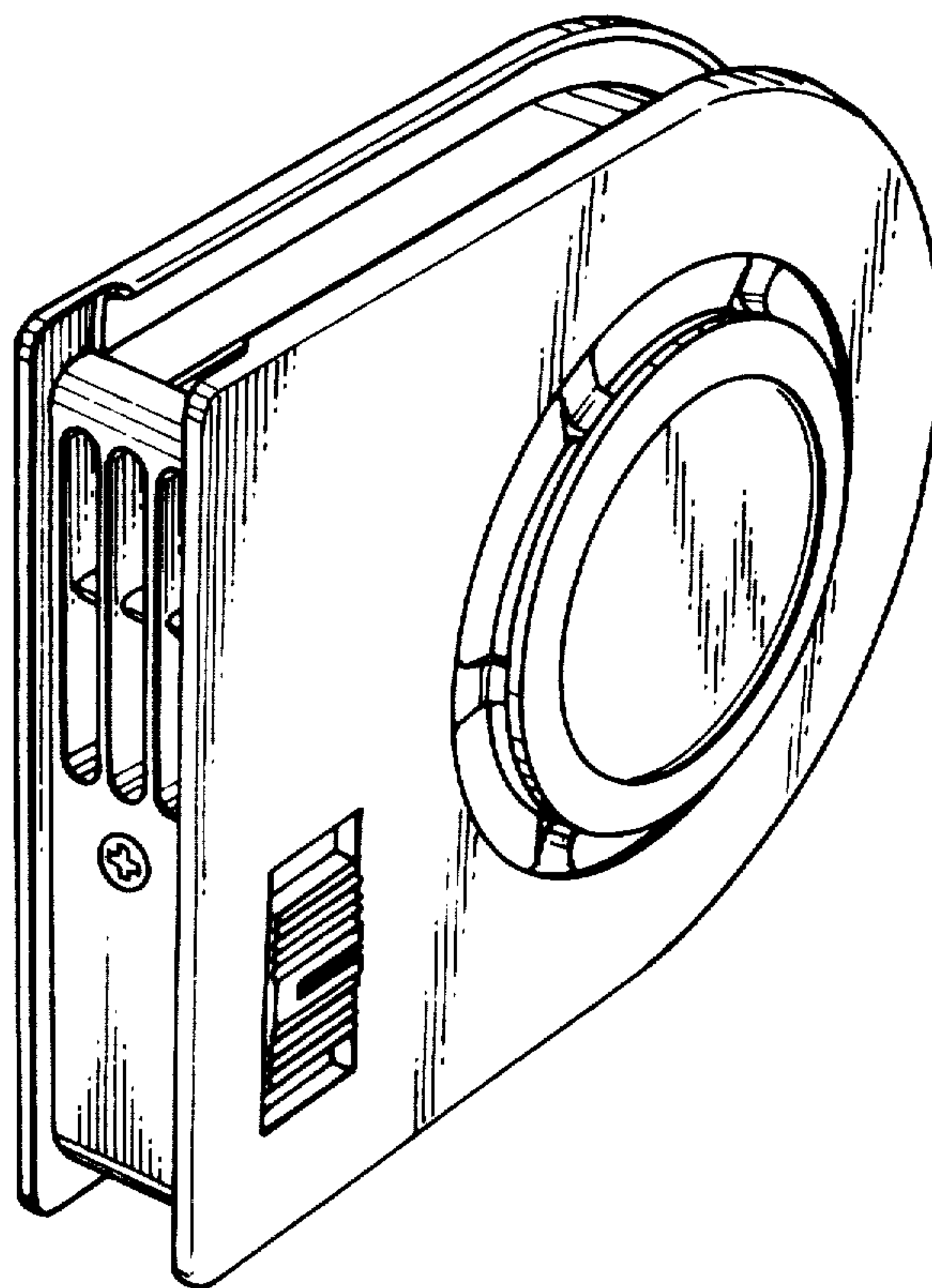


Fig. 1

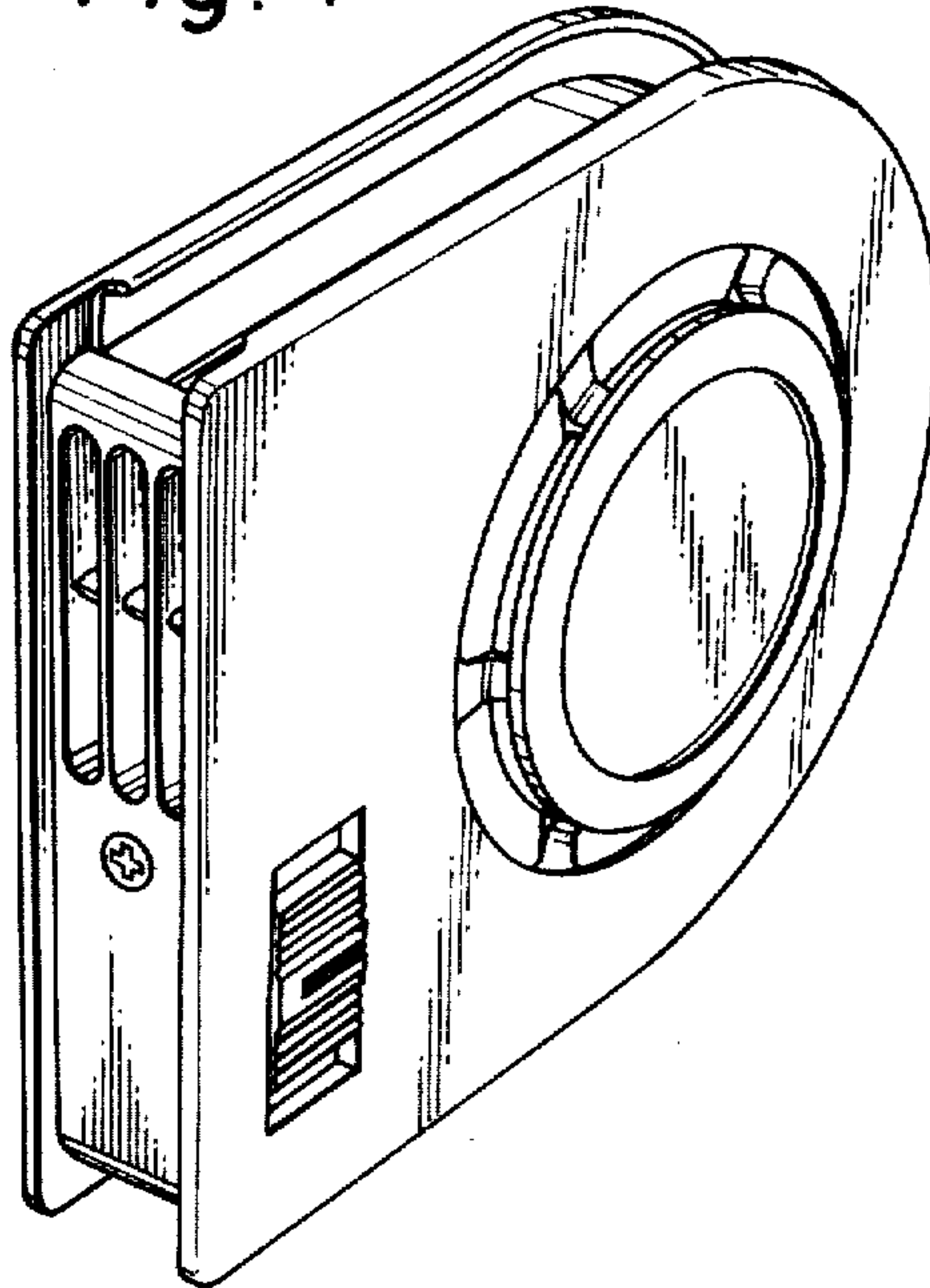


Fig. 2

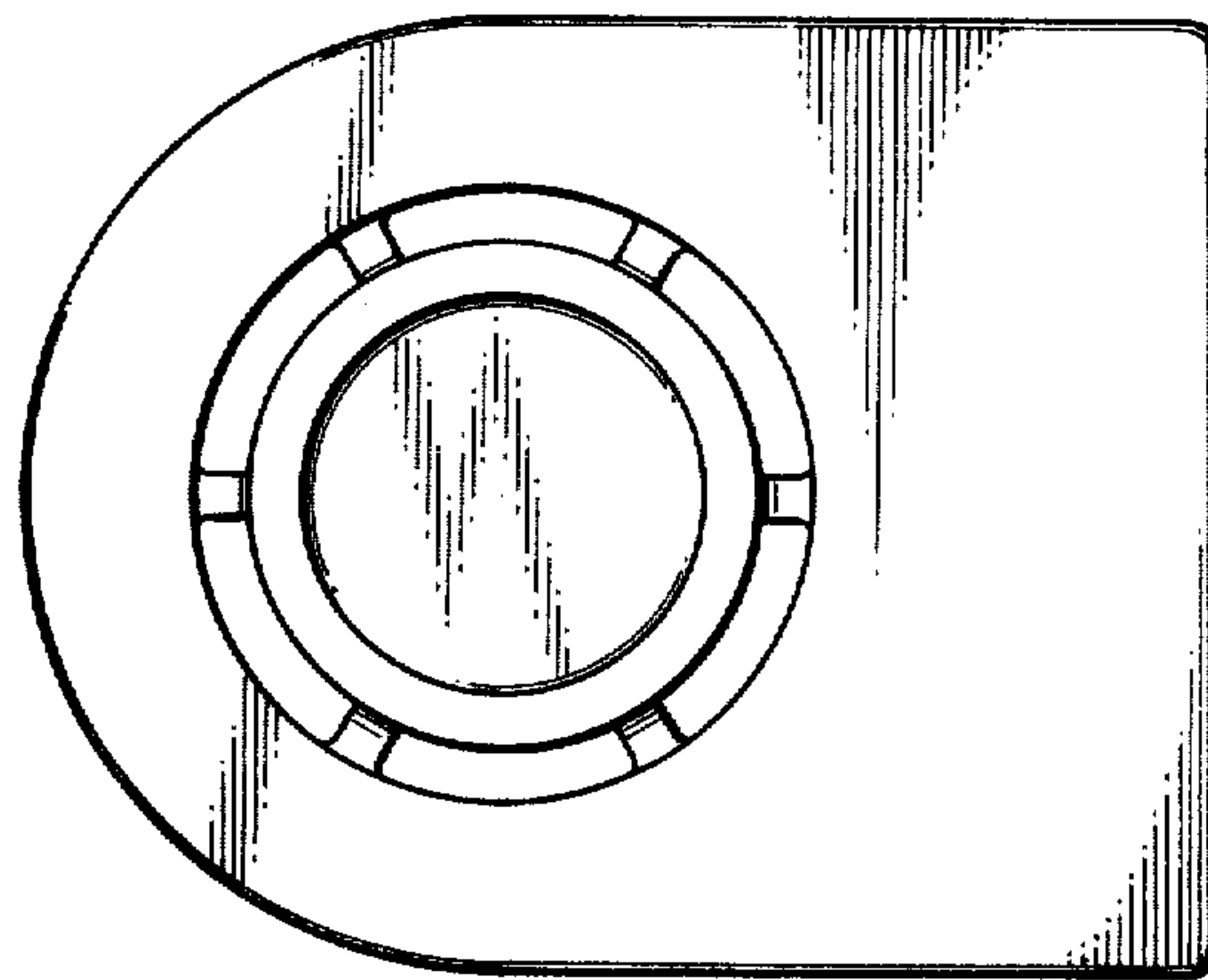


Fig. 3

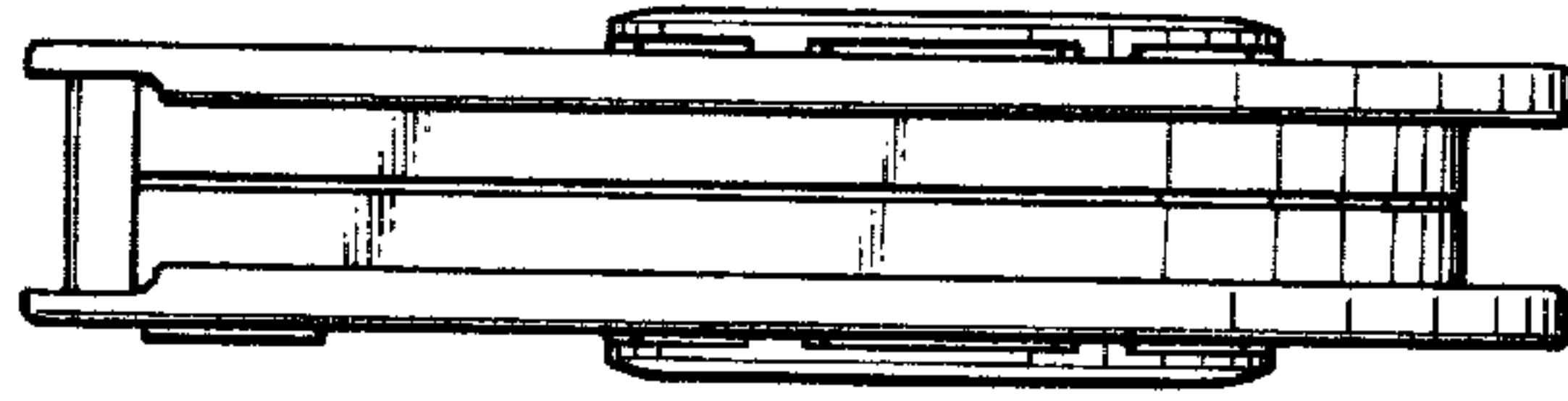


Fig. 4

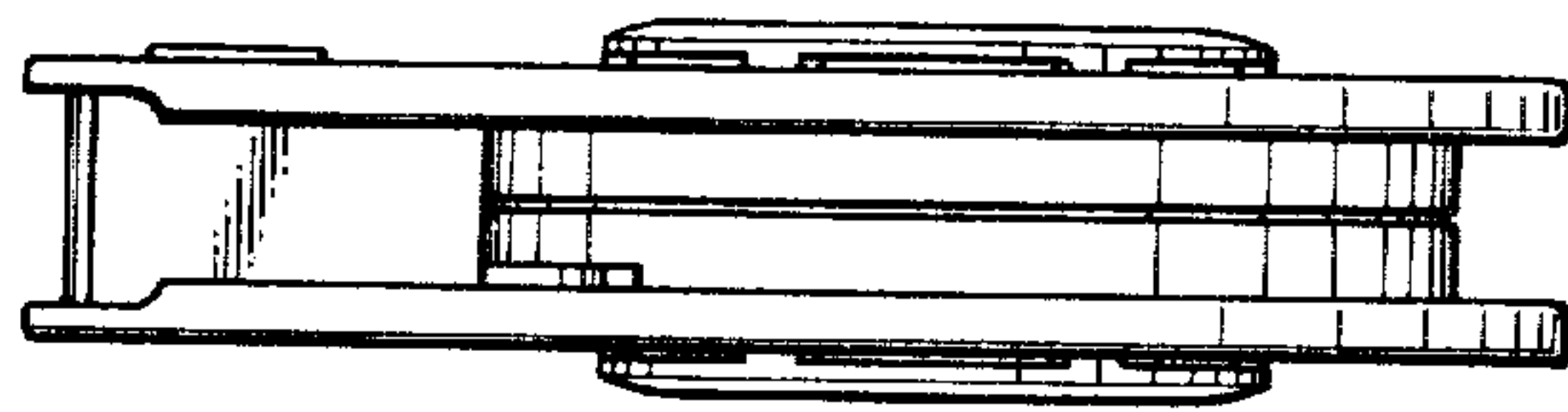


Fig. 5

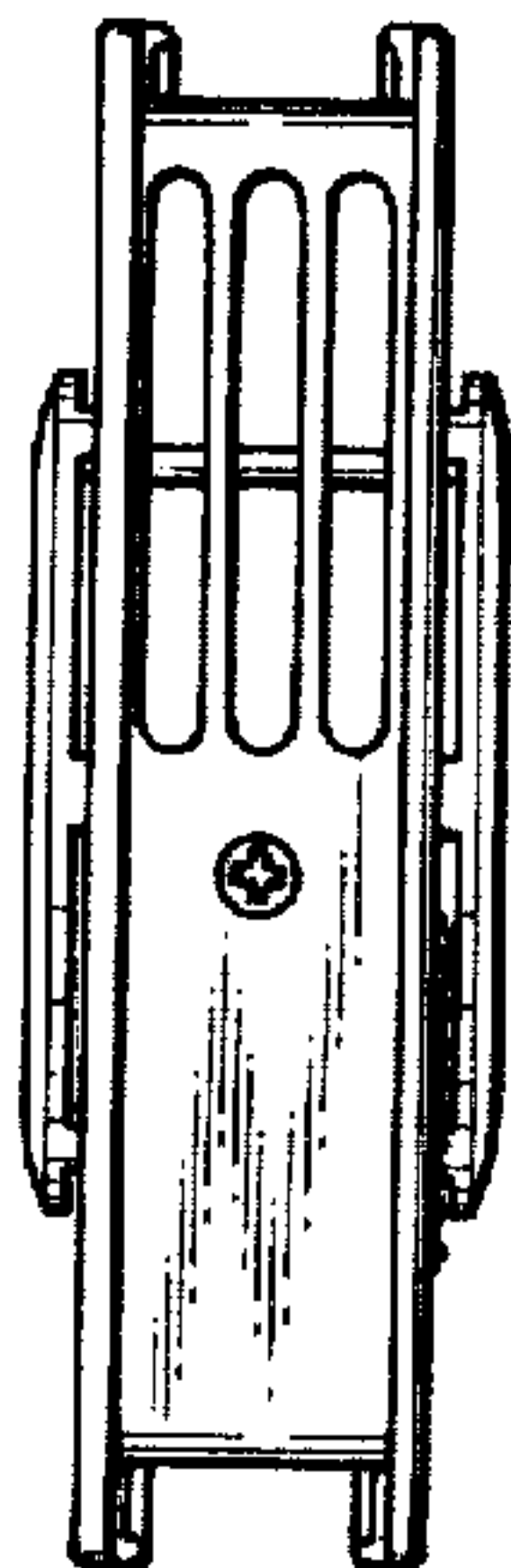


Fig. 6

