

[54] ELONGATED CEILING PANEL OR SIMILAR ARTICLE

[75] Inventor: Stephen Popek, Warren, Ohio

[73] Assignee: Alcan Aluminum Corporation, Cleveland, Ohio

[\*\*] Term: 14 Years

[21] Appl. No.: 36,900

[22] Filed: May 7, 1979

[51] Int. Cl. .... D25-01

[52] U.S. Cl. .... D25/74

[58] Field of Search ..... D25/73, 74, 75, 76, D25/80, 87, 22; 52/489, 520, 473, 222, 483, 484

[56] References Cited

U.S. PATENT DOCUMENTS

D. 234,566 3/1975 Watts ..... D25/75 X  
3,313,075 4/1967 Buchmeier ..... 52/489

OTHER PUBLICATIONS

Van Huffel Catalog L-56, Published Jan. 1953, p. 18, Item No. 2727/.042.

Alcan Aluminum Ceiling Systems, 13.5/Al, Form 31-109/9-77/20MF, ©1977, Alcan Aluminum Corp.

Alcan Aluminum Ceiling Systems, 9.1/ALc, Form 31-109A/9-77/10MF, ©1977, Alcan Aluminum Corp.

The Alcan Aluminum Ceiling System, 13.5/AL, Form 31-109, Alcan Aluminum, 1976.

The Alcan Aluminum Ceiling, 9.1/ALc, Alcan Aluminum, 1976.

The Alcan Aluminum Ceiling Systems, 13p Integrated Ceilings, Form 31-109, Alcan Aluminum, 1975.

The Alcan Aluminum Ceiling Systems, 9 Accoustical Treatment, Form PCS-109, Alcan Aluminum, 1974.

Simplex Ceiling Corporation brochure, dated Jan. 1978, 9.1/Si, Accoustical Treatment, Accoustical Ceilings and Walls.

Primary Examiner—A. Hugo Word  
Attorney, Agent, or Firm—Cooper, Dunham, Clark, Griffin & Moran

[57] CLAIM

The ornamental design for an elongated ceiling panel or similar article, as shown.

DESCRIPTION

FIG. 1 is a perspective view, from below, of an elongated ceiling panel embodying the design;

FIG. 2 is a plan view to an enlarged scale, from above, of the panel of FIG. 1;

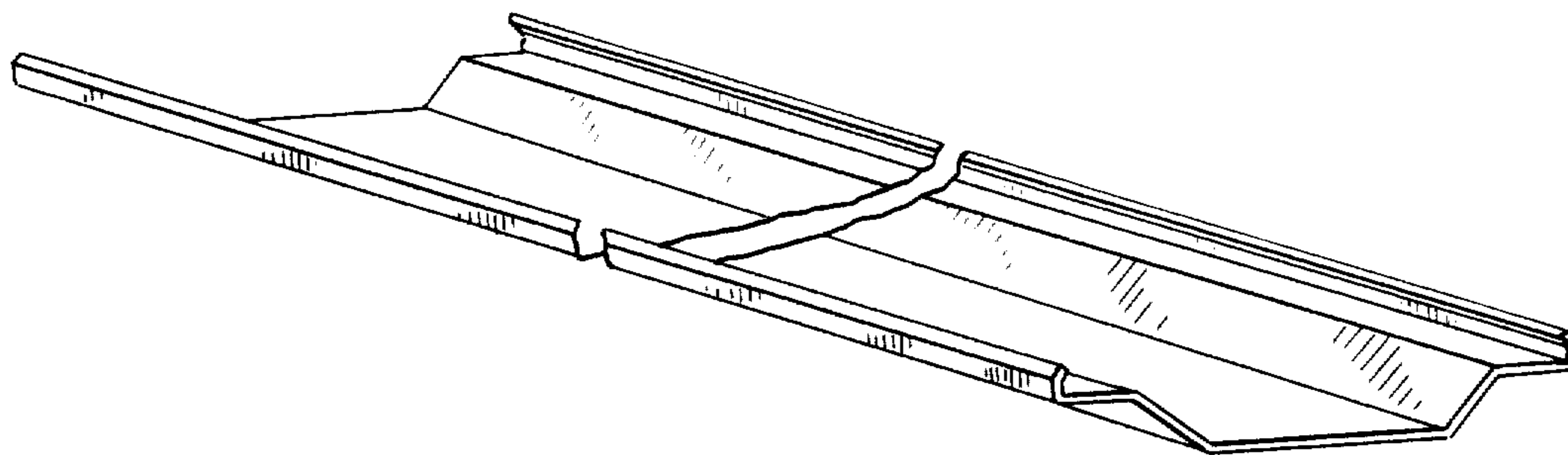
FIG. 3 is a plan view of the FIG. 1 panel from below, to the same scale as FIG. 2;

FIG. 4 is a perspective view of the FIG. 1 panel from above, to the same scale as FIG. 2;

FIG. 5 is a side elevational view of the panel of FIG. 1, to the same scale as FIG. 2;

FIG. 6 is a cross-sectional view of the FIG. 1 panel to the same scale as FIG. 5, taken along the line 6-6 of FIG. 5; and

FIG. 7 is a longitudinal sectional view of the FIG. 1 panel to the same scale as FIG. 5, taken along the line 7-7 of FIG. 6.



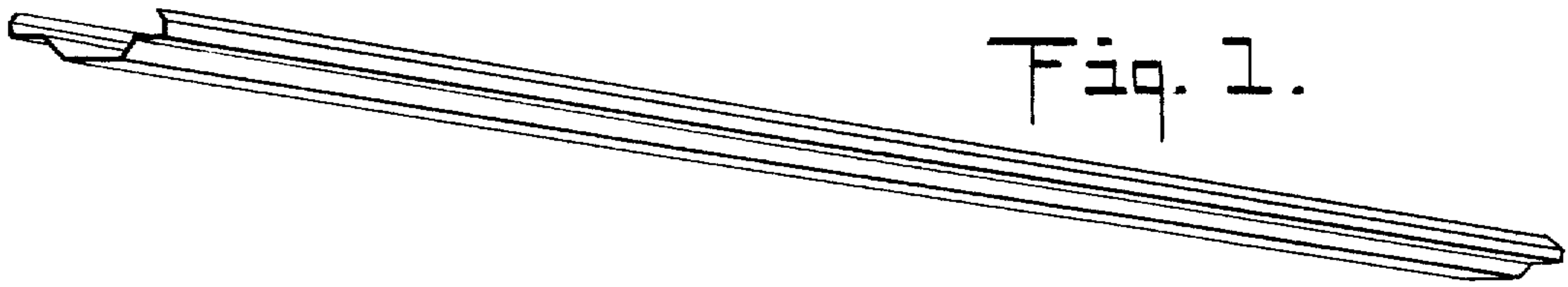


Fig. 1.

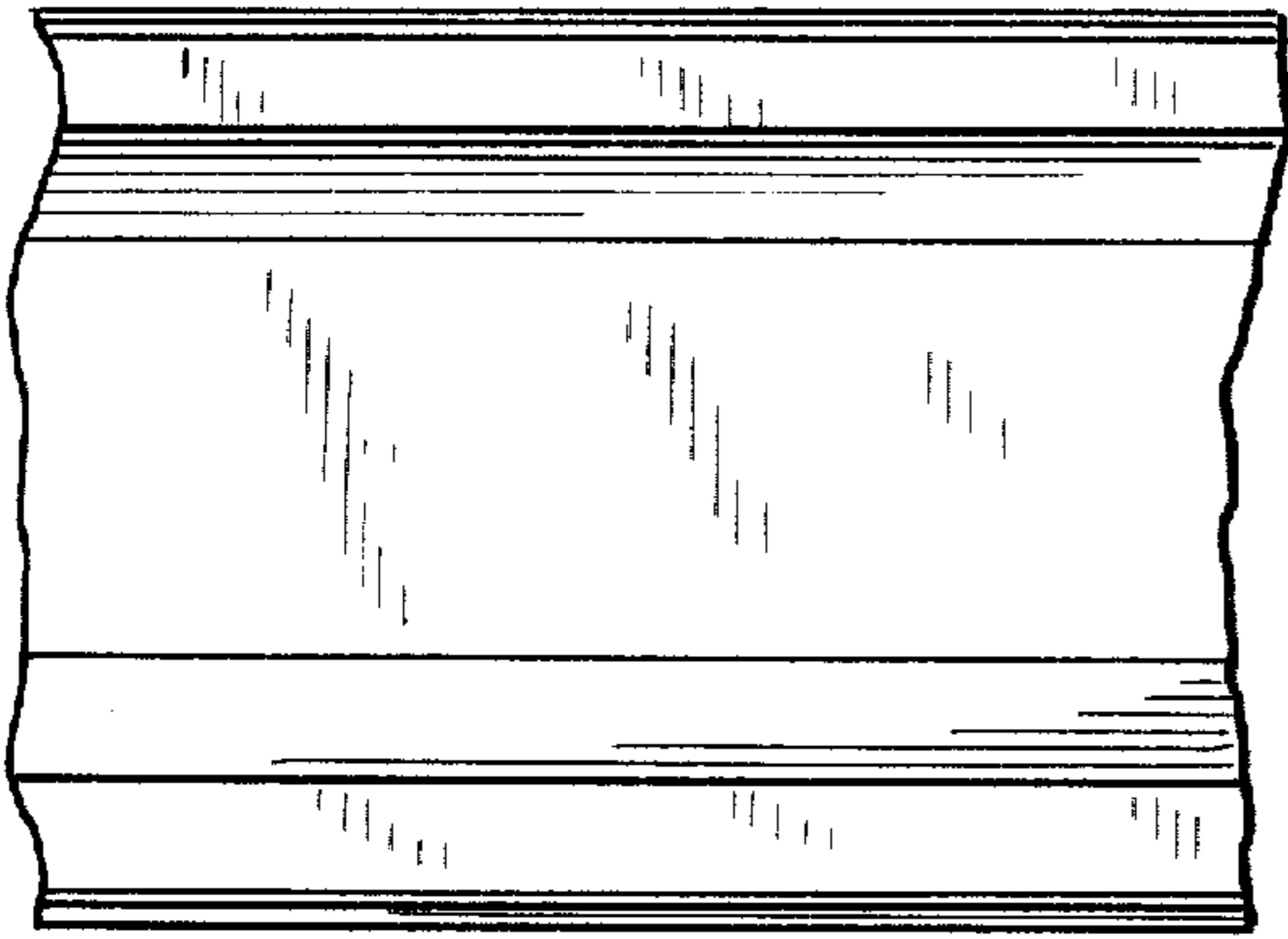


Fig. 2.

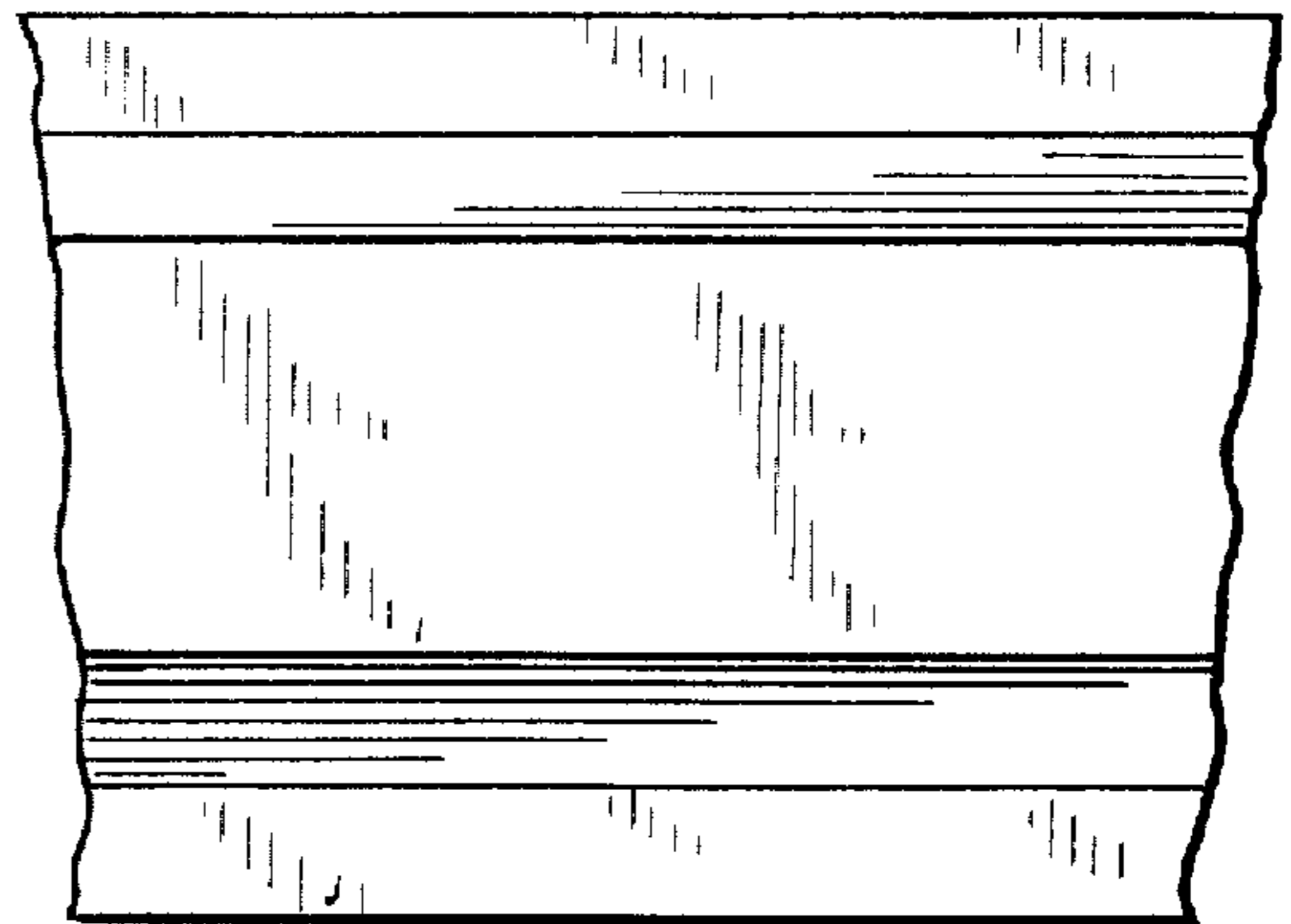


Fig. 3.

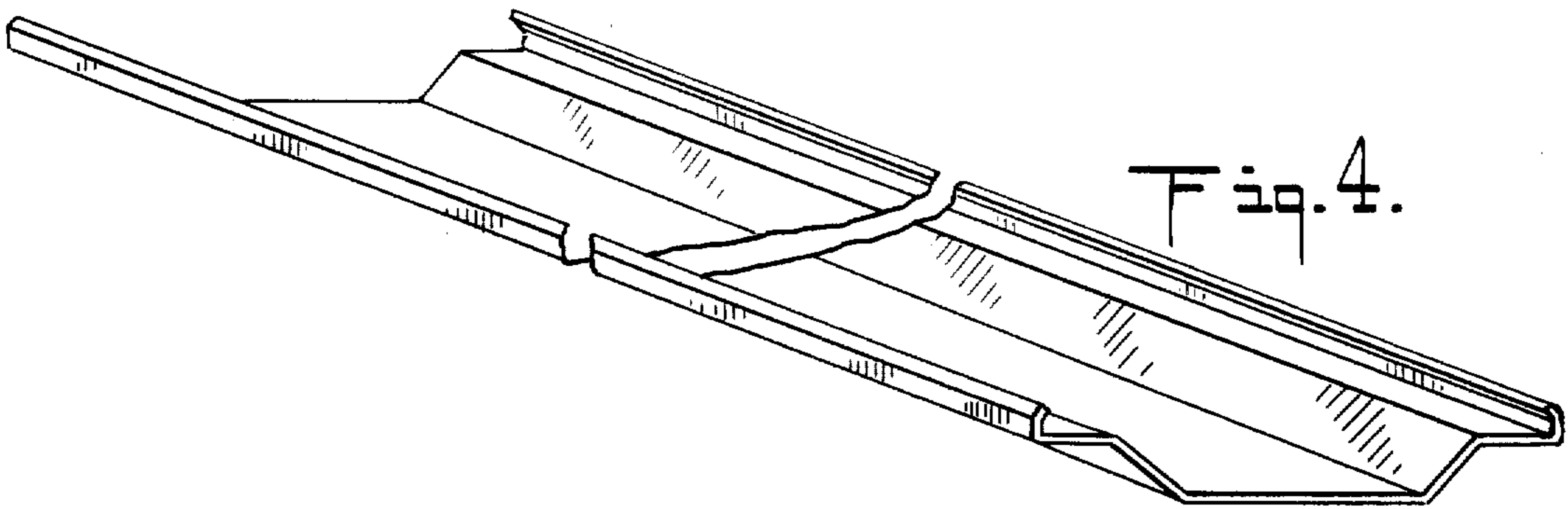
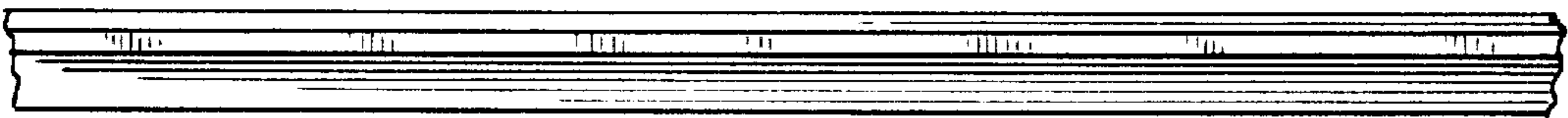


Fig. 4.

← 6 Fig. 5.



← 6

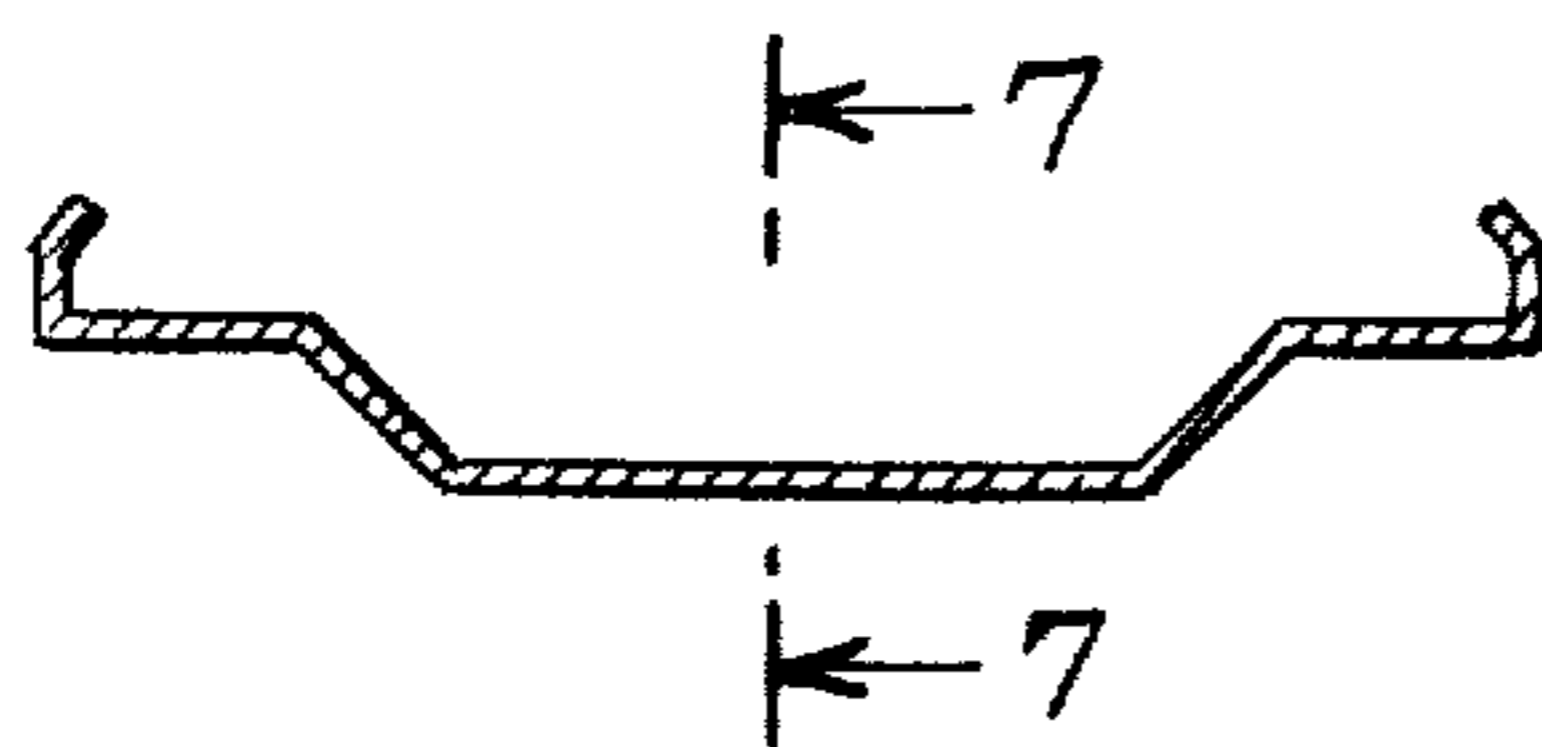


Fig. 6.

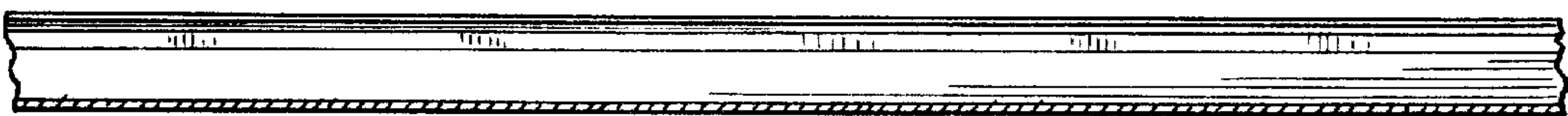


Fig. 7.