

[54] **COMBINED BOTTLE NECK CLAMP AND TUBE HOLDER**

[75] **Inventor: Robert K. Rusteberg, Barrington Hills, Ill.**

[73] **Assignee: Panlmatic Company, Elk Grove Village, Ill.**

[**] **Term: 14 Years**

[21] **Appl. No.: 153,549**

[22] **Filed: May 27, 1980**

[51] **Int. Cl. D24-02**

[52] **U.S. Cl. D24/52; D7/70; D24/61; D24/99**

[58] **Field of Search D6/87, 93; 248/311.2, 248/312, 313, 145.6, 346.1; D8/394, 395, 396, 71, 72, 73; D7/70, 130; 220/85 H; 294/27 H; 16/114 A; 215/100 A, 101; 128/214.2; D24/48, 52, 61, 99**

[56] **References Cited**

U.S. PATENT DOCUMENTS

D. 28,652	5/1898	Dettelbach	D8/394
D. 252,310	7/1979	Shannon	D7/70
1,810,836	6/1931	Laubenstein	248/311.2
2,041,755	5/1936	Gordon	248/312
2,616,647	11/1952	Murchison	248/312 X
3,548,827	12/1970	Abel	248/312 X
3,872,868	3/1975	Kline	248/312 X

Primary Examiner—Winifred E. Herrmann
Attorney, Agent, or Firm—Robert E. Wagner; Ralph R. Rath

[57] **CLAIM**

The ornamental design for a combined bottle neck clamp and tube holder, as shown and described.

DESCRIPTION

FIG. 1 is a perspective view of a combined bottle neck clamp and tube holder showing my new design; FIG. 2 is a top plan view thereof; FIG. 3 is a bottom view thereof; FIG. 4 is a right side elevational view thereof, the opposite side being substantially identical; FIG. 5 is a front elevational view thereof; and, FIG. 6 is a rear elevational view thereof.

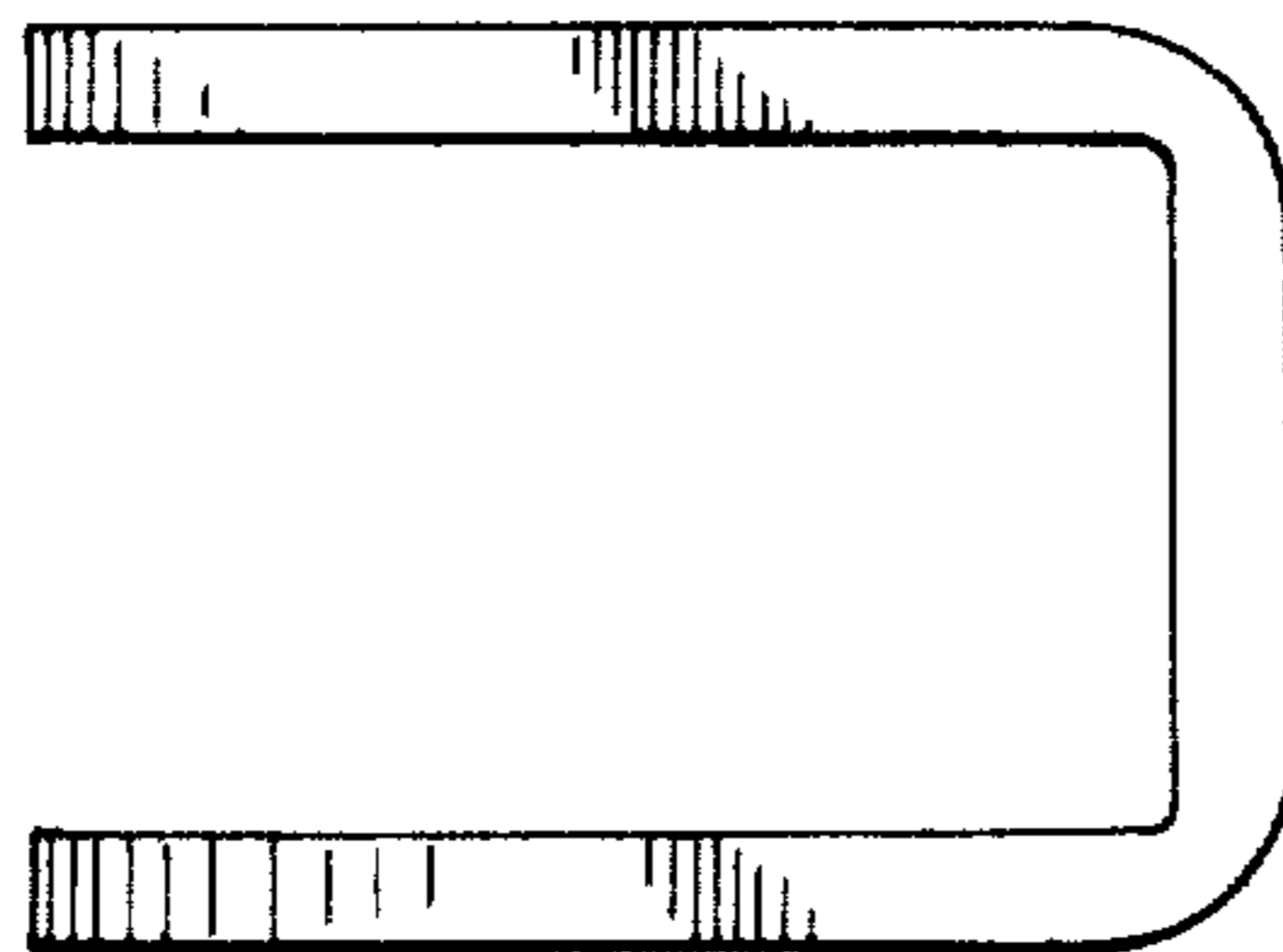
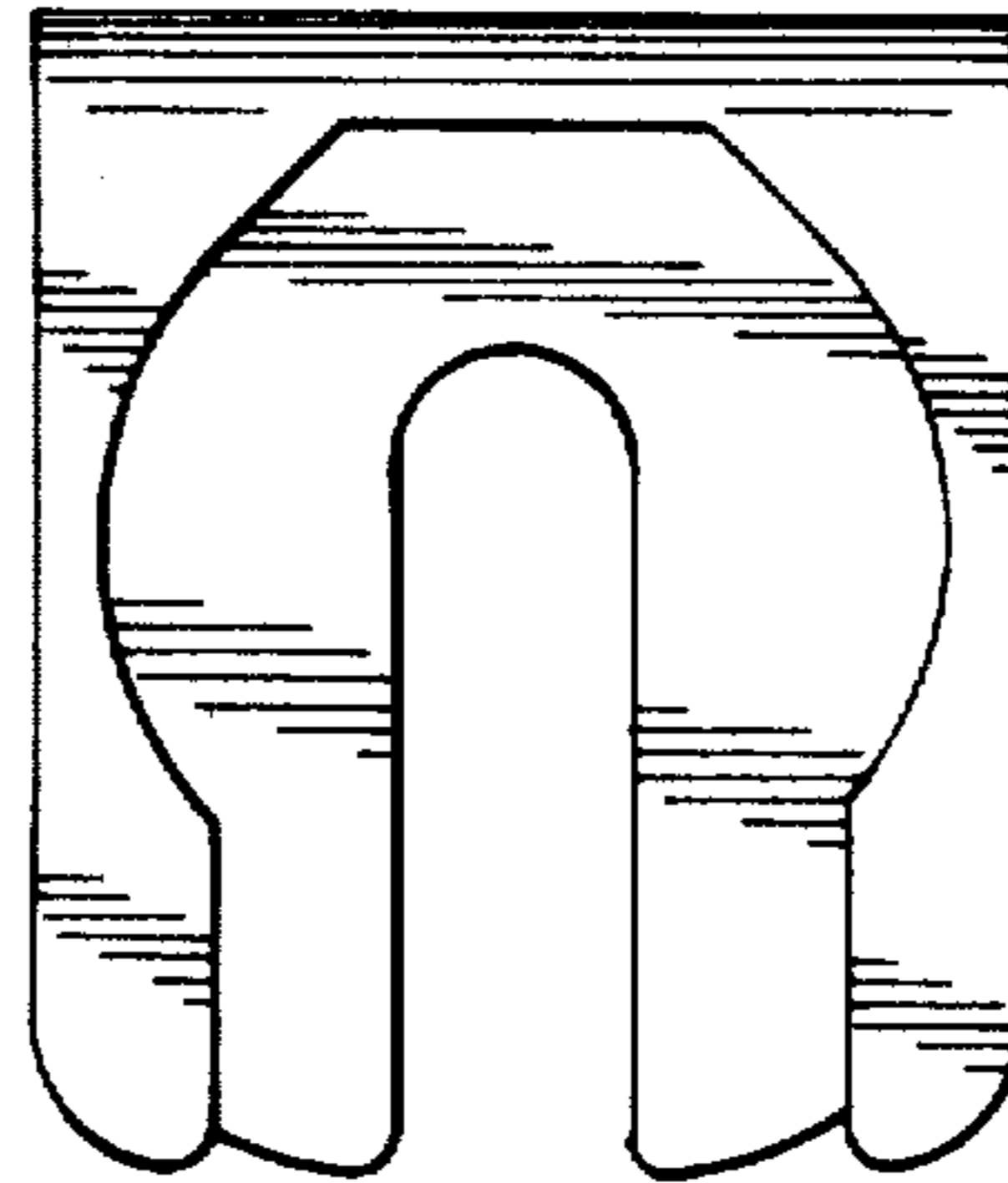
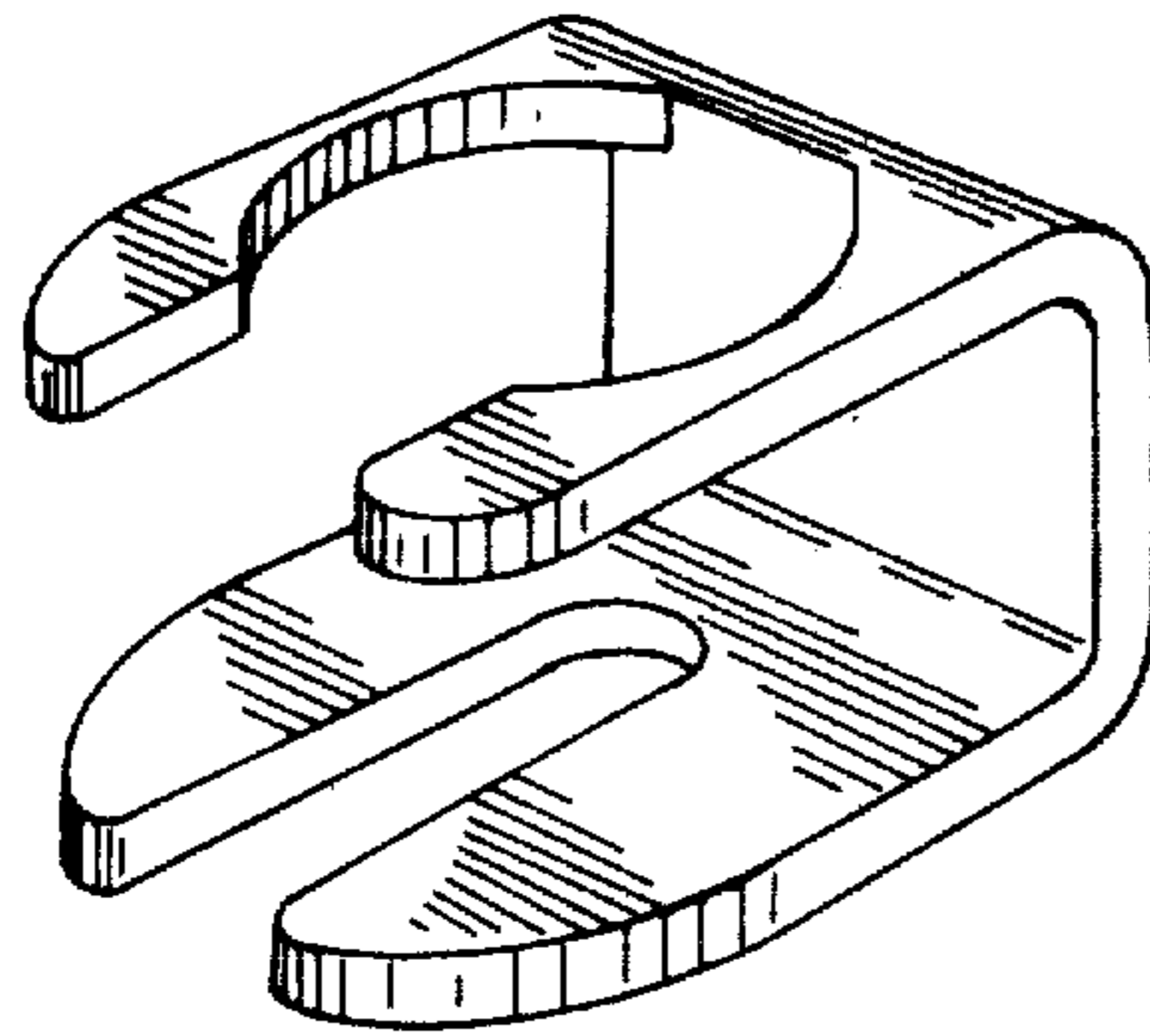


FIG. 1

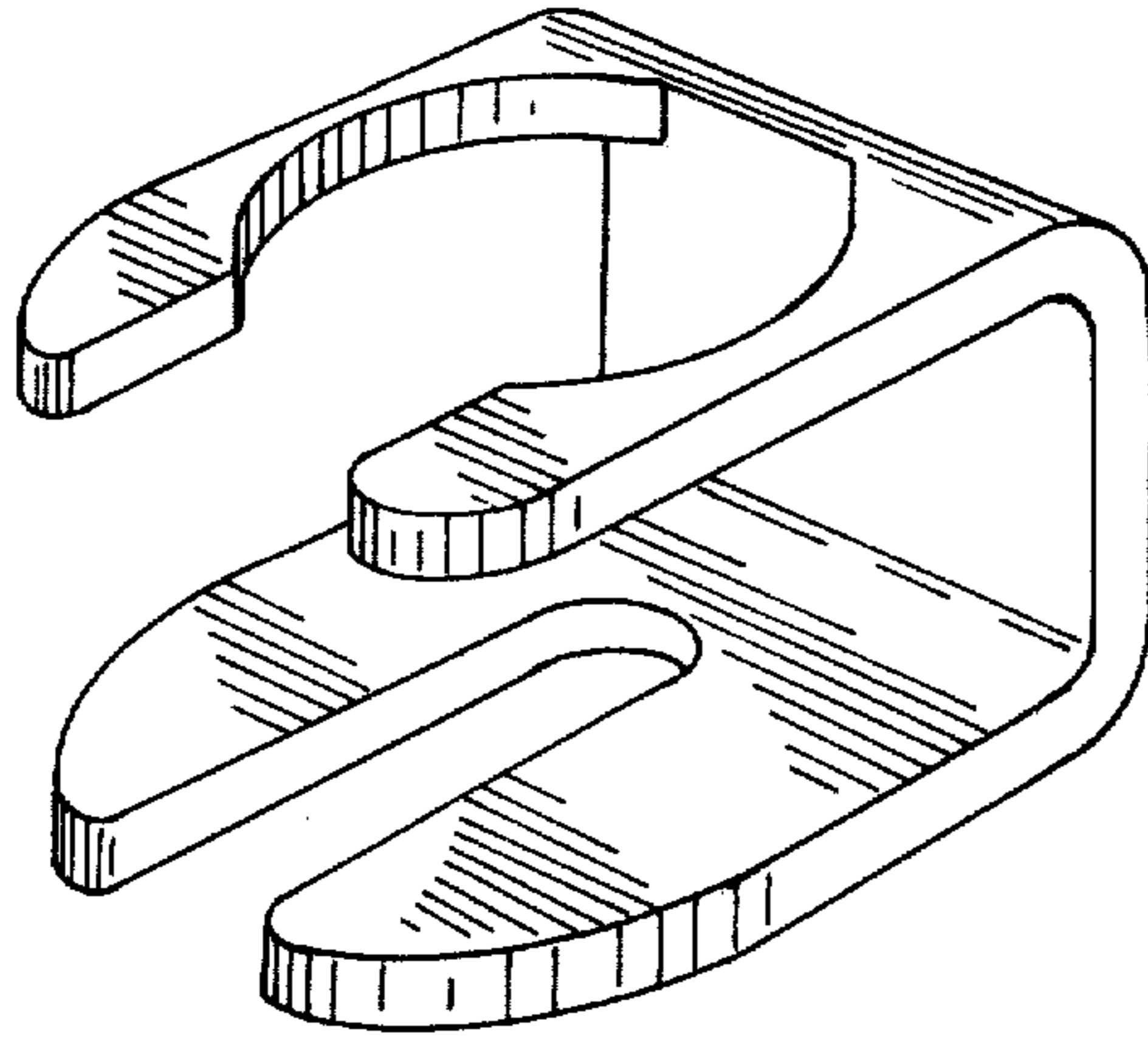


FIG. 2

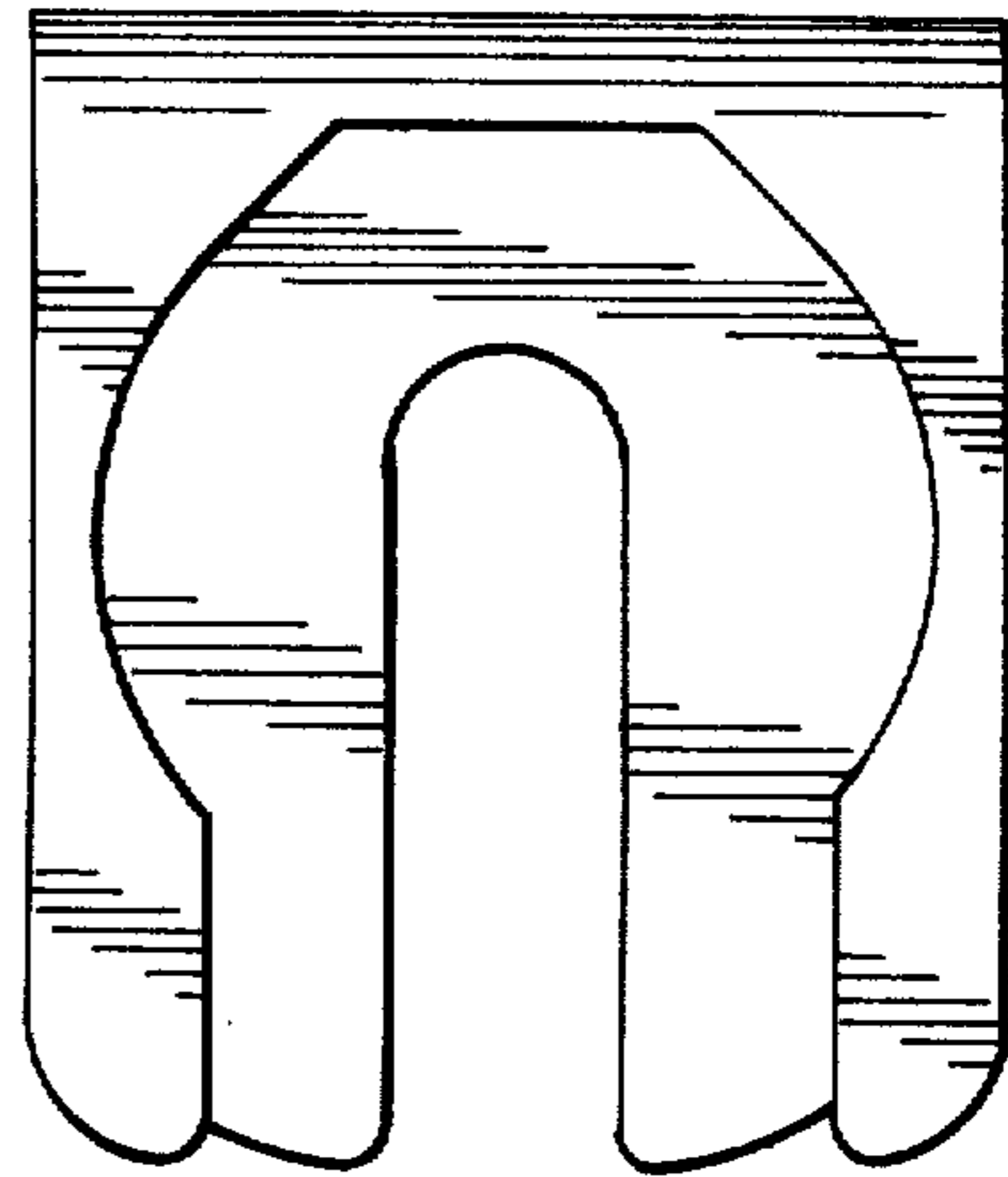


FIG. 3

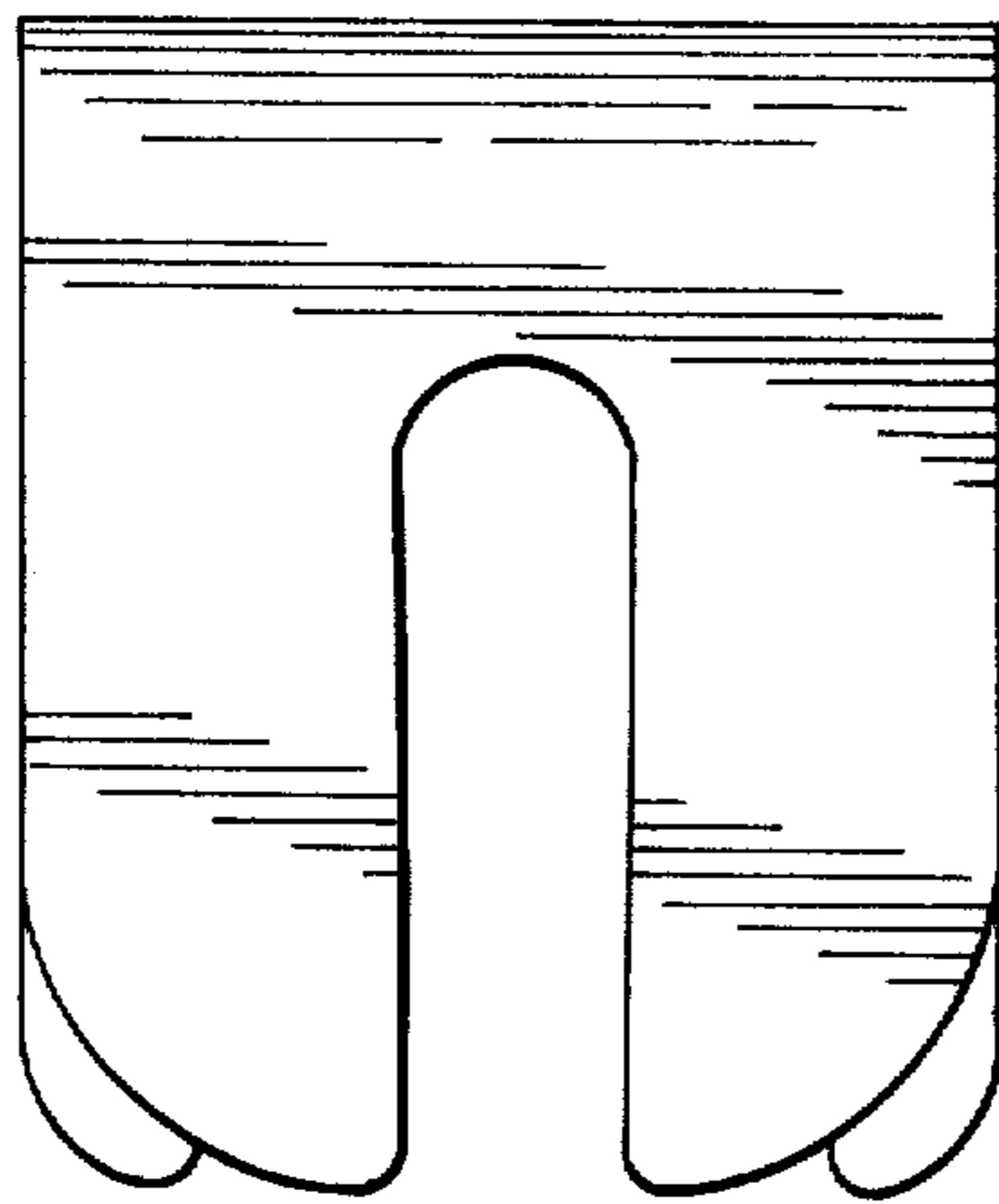


FIG. 4

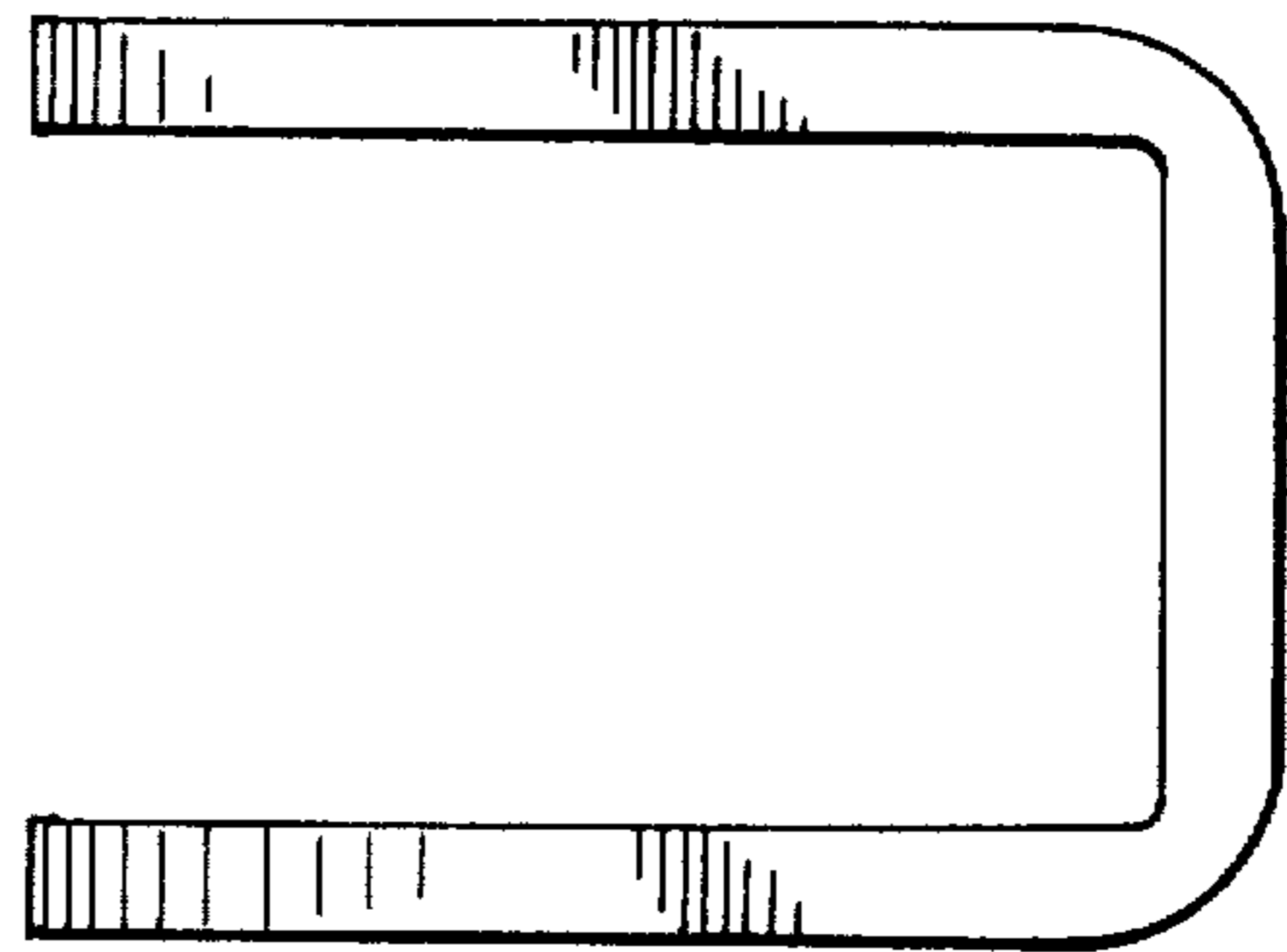


FIG. 5

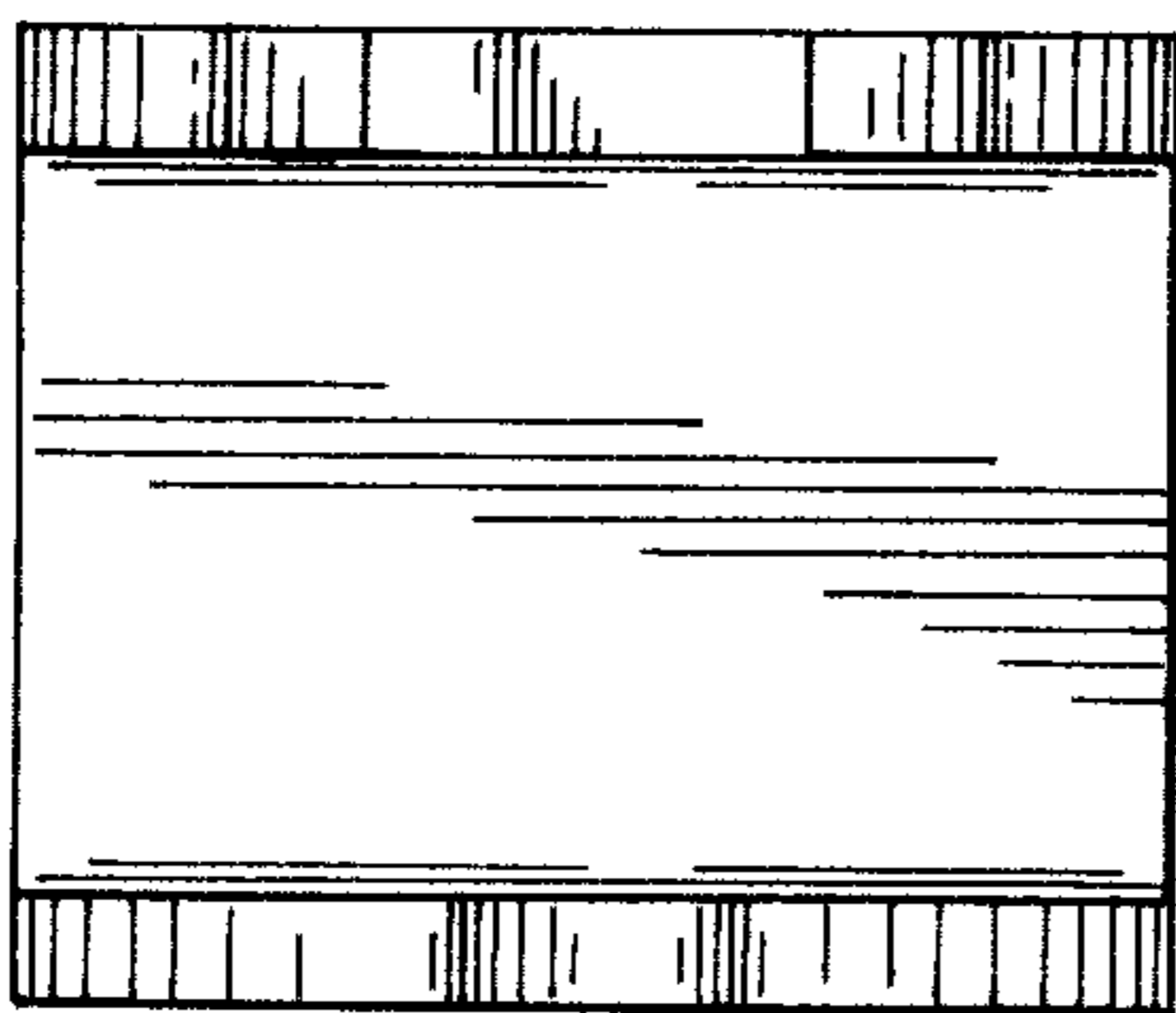


FIG. 6

