

[54] PROSTHETIC NAIL

[76] Inventor: E. Olayinka Ogunro, 625 Ray Ave.,
DeSota, Tex. 75115

[**] Term: 14 Years

[21] Appl. No.: 155,436

[22] Filed: Jun. 2, 1980

[51] Int. Cl. D28-03

[52] U.S. Cl. D24/33; D28/56

[58] Field of Search D28/56; D24/33;
128/132; 132/73

[56] References Cited

U.S. PATENT DOCUMENTS

D. 259,444	6/1981	Wood	D28/56
3,487,831	1/1970	Jaume et al.	132/73 X
3,552,401	1/1971	Michaelson	132/73
3,750,684	8/1973	Russell	128/132 R X

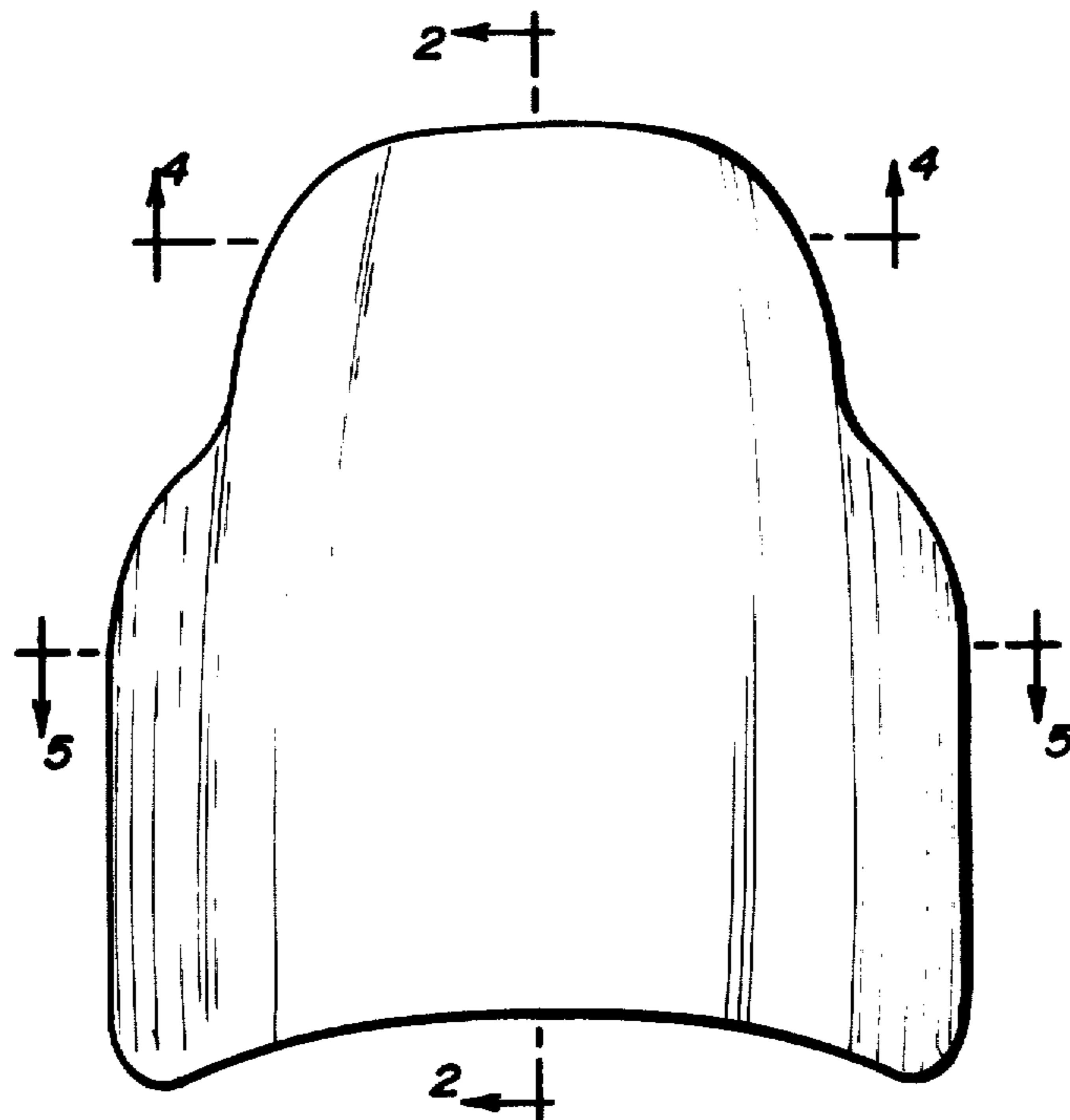
Primary Examiner—Bernard Ansher
Attorney, Agent, or Firm—Charles W. McHugh

[57] CLAIM

The ornamental design for a prosthetic nail, as shown and described.

DESCRIPTION

FIG. 1 is a top plan view of a prosthetic nail showing my new design;
FIG. 2 is a side elevation thereof;
FIG. 3 is a front elevation thereof;
FIG. 4 is a cross-section taken on line 4—4 of FIG. 1;
FIG. 5 is a cross-section taken on line 5—5 of FIG. 1;
FIG. 6 is a bottom plan view thereof;
FIG. 7 is a front elevation of a second embodiment of the nail illustrated in FIGS. 1 and 3;
FIG. 8 is a cross-section taken on line 8—8 of FIG. 9;
and
FIG. 9 is a bottom plan view thereof.



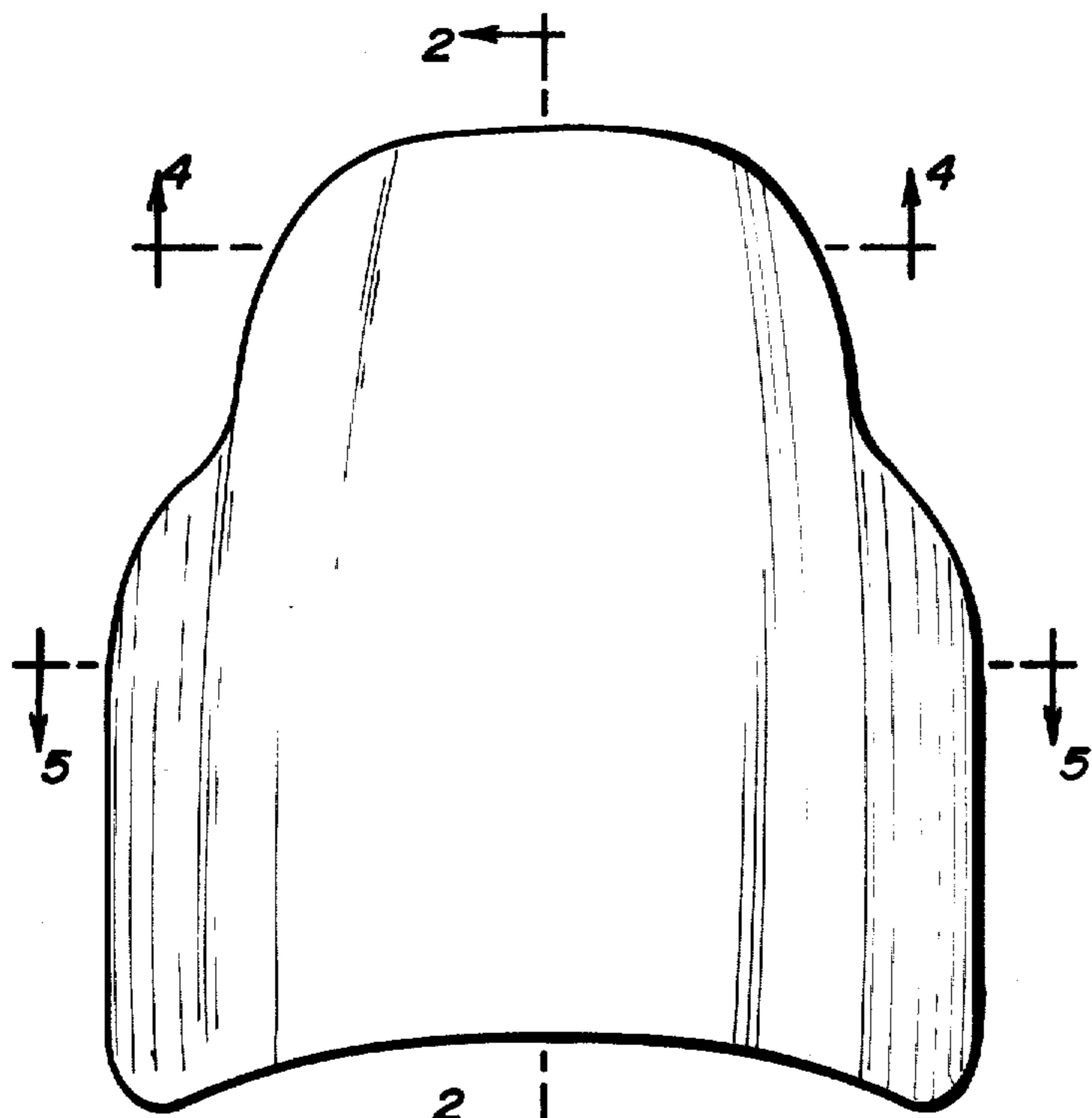


FIG. 1

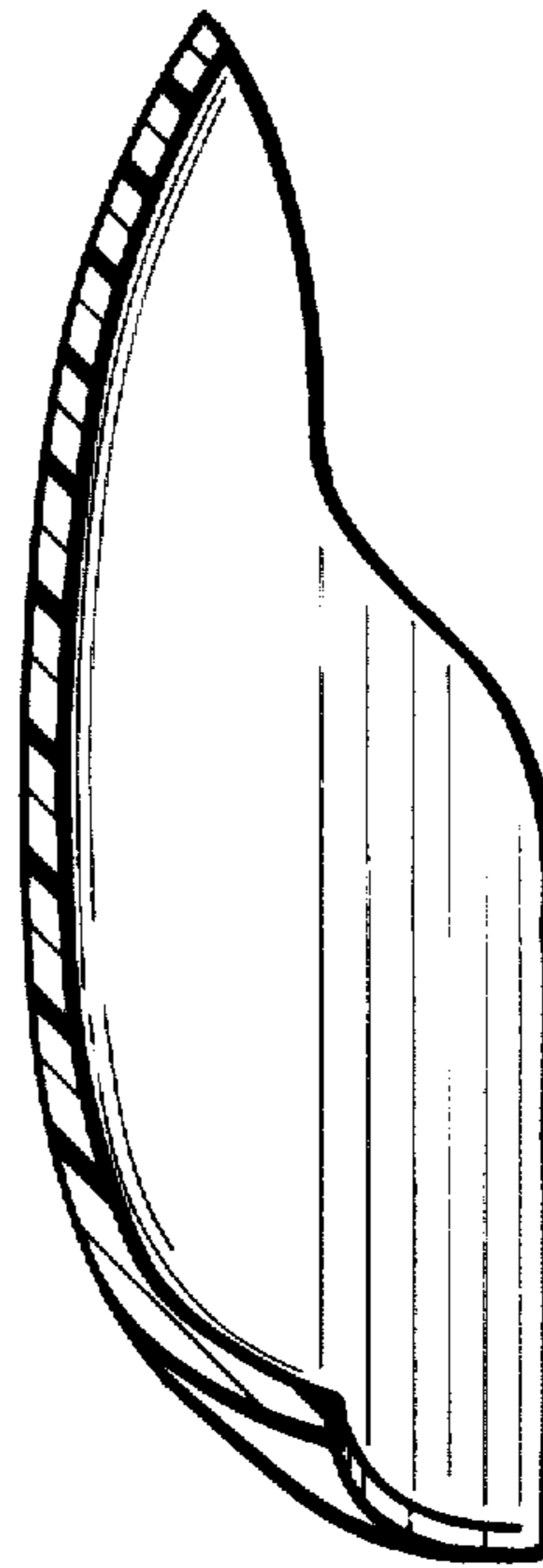


FIG. 2

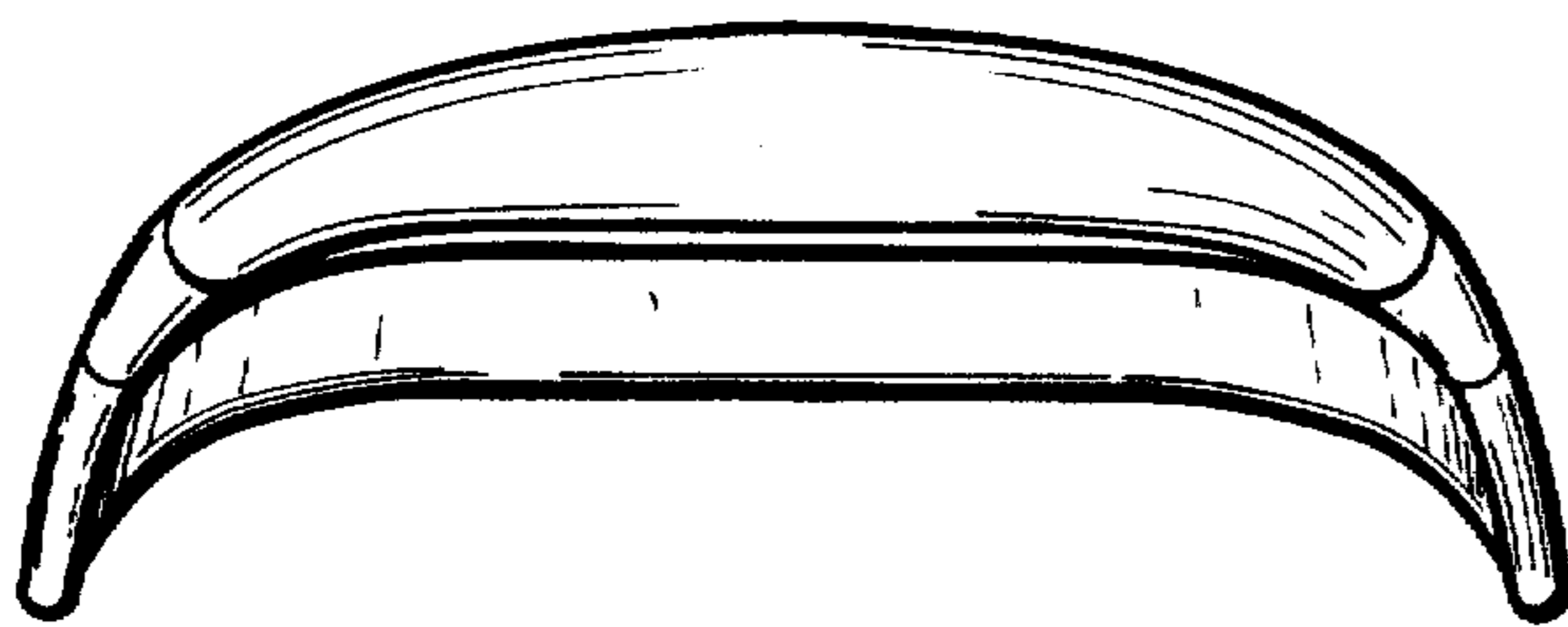


FIG. 3



FIG. 4

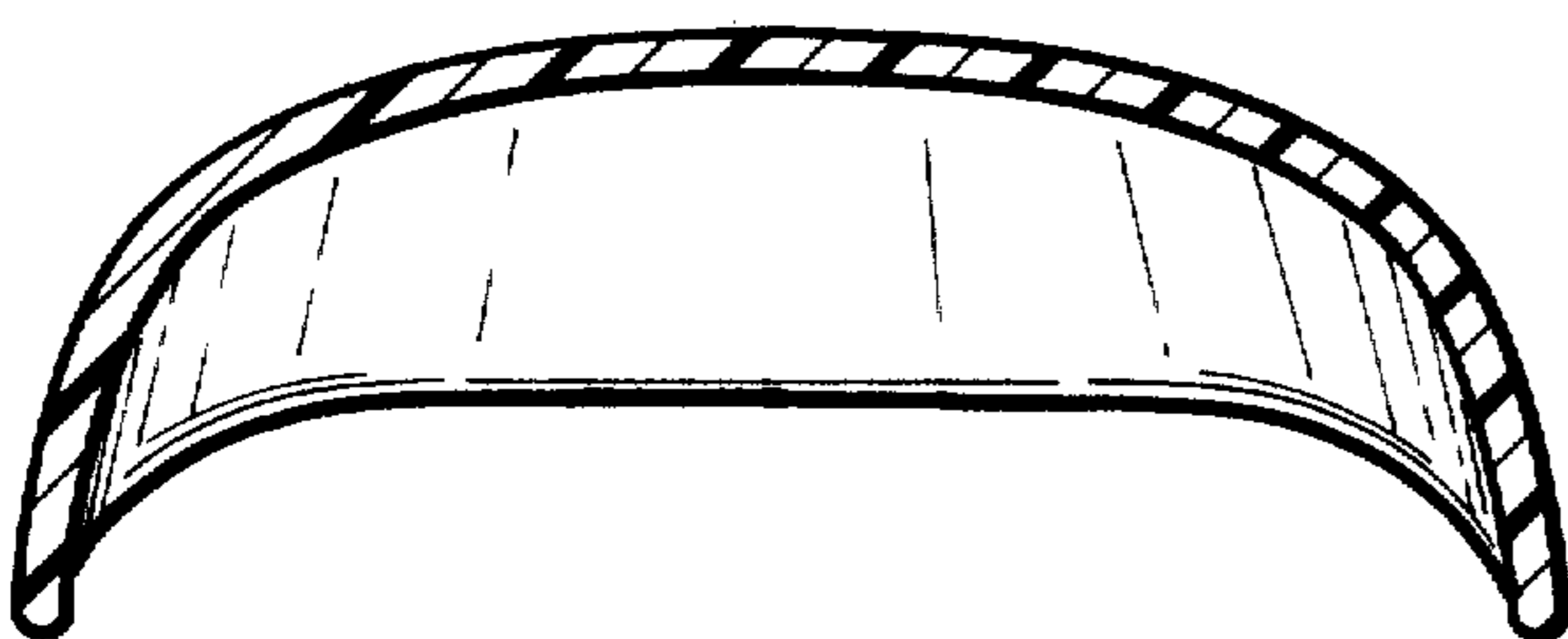


FIG. 5

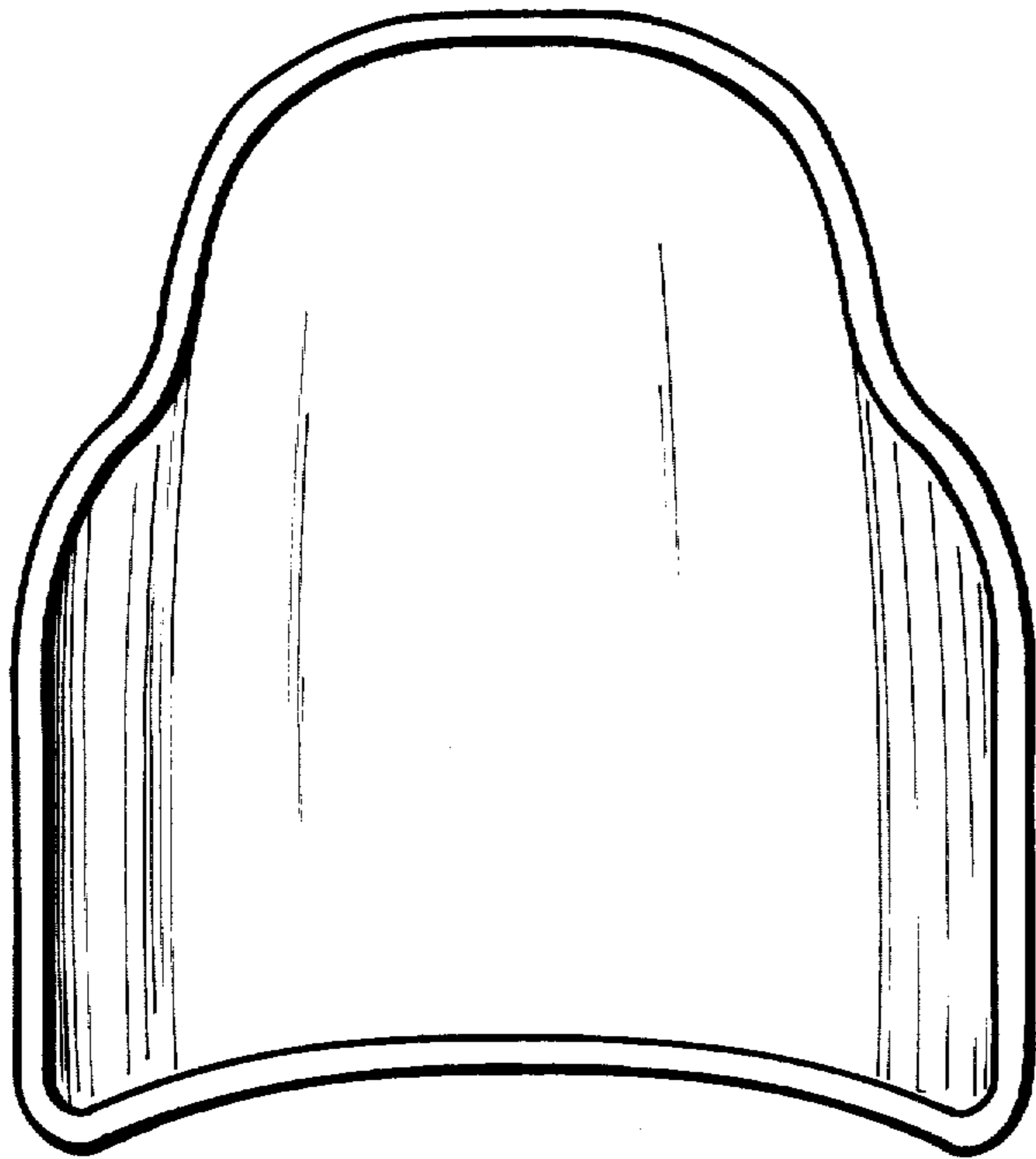


FIG. 6

FIG. 7

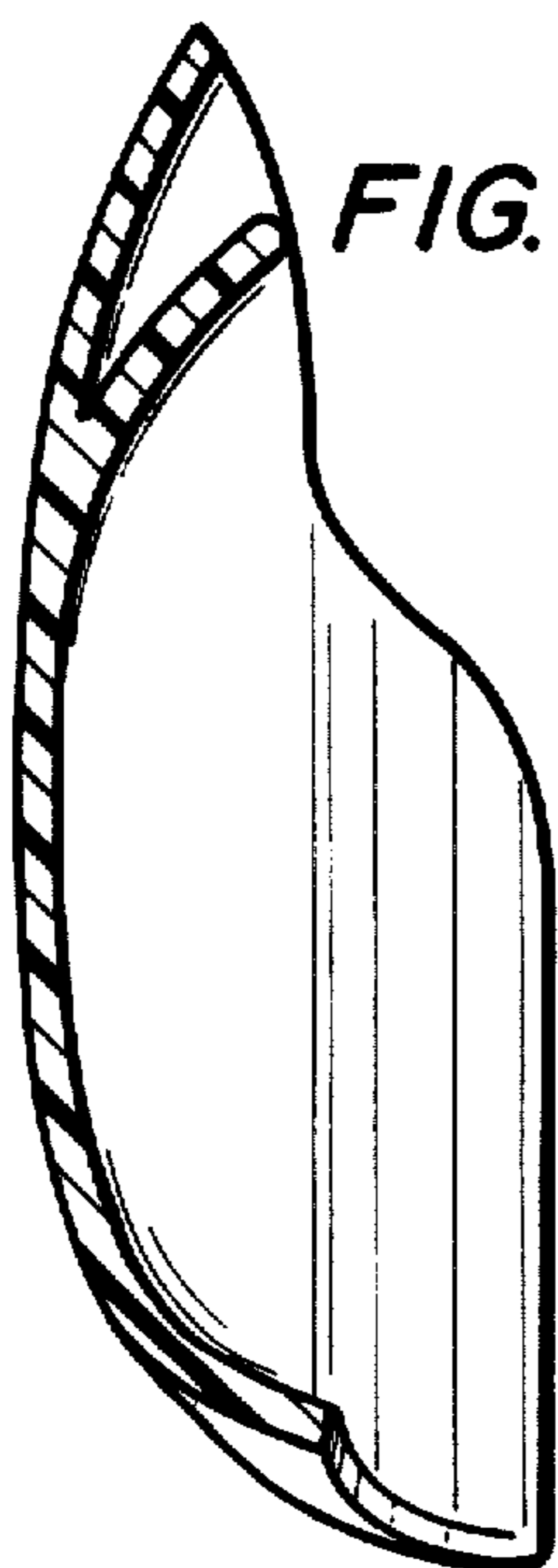
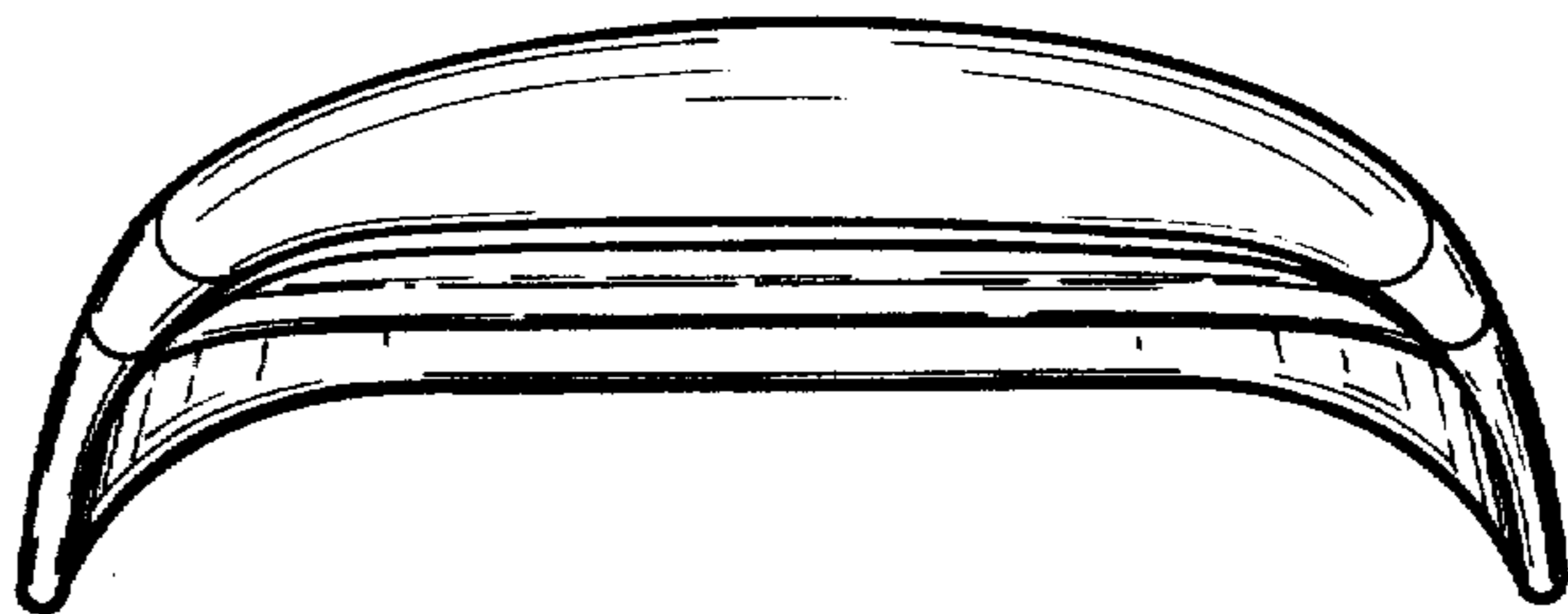


FIG. 8

FIG. 9

