

[54] OTOSCOPE

[76] Inventor: Lewis H. Nash, P.O. Box 300, Ferndale, Calif. 95536

[**] Term: 14 Years

[21] Appl. No.: 150,196

[22] Filed: May 16, 1980

[51] Int. Cl. D24-02

[52] U.S. Cl. D24/9

[58] Field of Search D24/17, 8; 128/9, 6, 128/4

[56] References Cited

U.S. PATENT DOCUMENTS

- D. 170,744 11/1953 Burrett D24/17
- D. 207,372 4/1967 Pulos D24/17
- 3,698,387 10/1972 Moore et al. 128/9
- 3,840,004 10/1974 Heine 128/9

- 3,934,578 1/1976 Heine 128/9
- 3,978,850 9/1976 Moore et al. 128/9

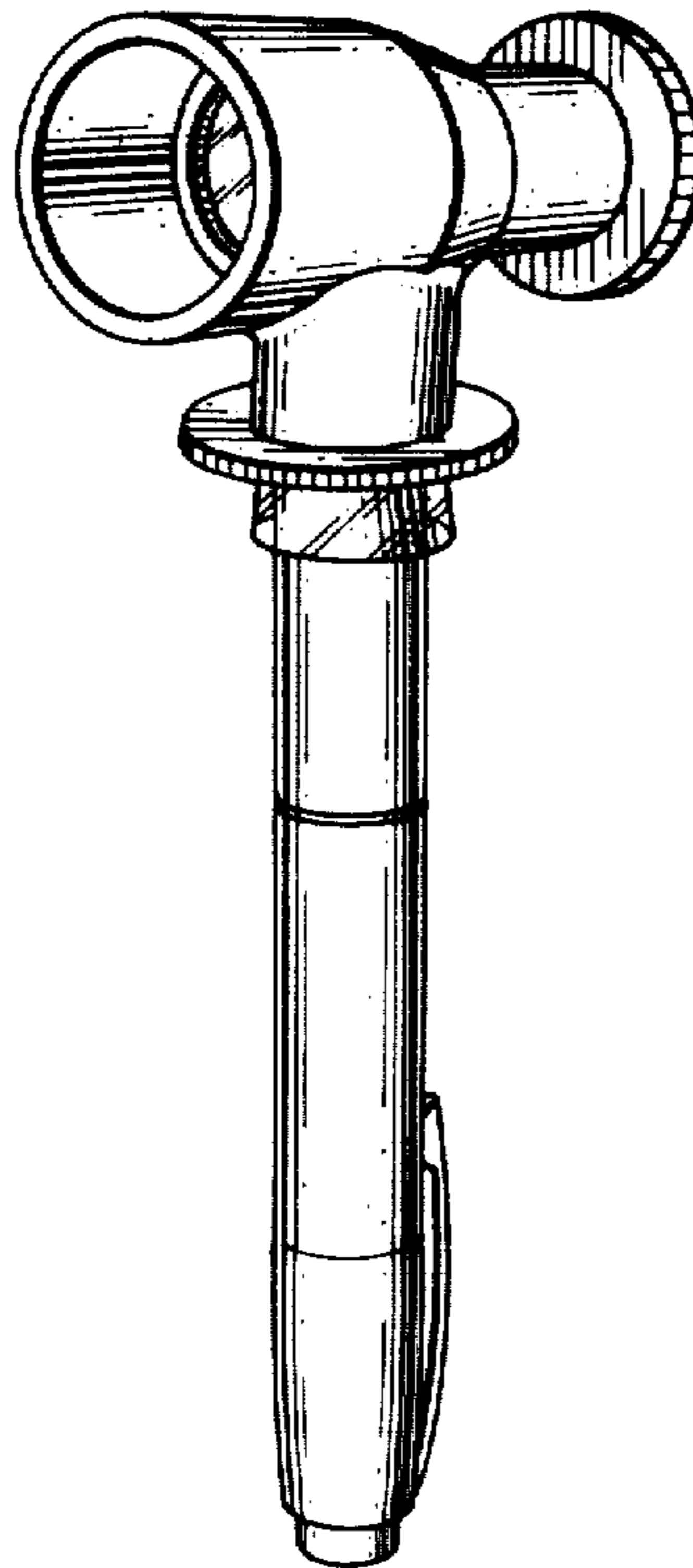
Primary Examiner—Bernard Ansher
Attorney, Agent, or Firm—Flehr, Hohbach, Test, Albritton & Herbert

[57] CLAIM

The ornamental design for an otoscope, as shown and described.

DESCRIPTION

FIG. 1 is a view in perspective from the rear and side of an otoscope embodying my new design;
FIG. 2 is a rear view thereof;
FIG. 3 is a side elevational view thereof;
FIG. 4 is a front view thereof;
FIG. 5 is a view in top plan of the otoscope of FIG. 1; and
FIG. 6 is a view in bottom plan of the otoscope of FIG. 1.



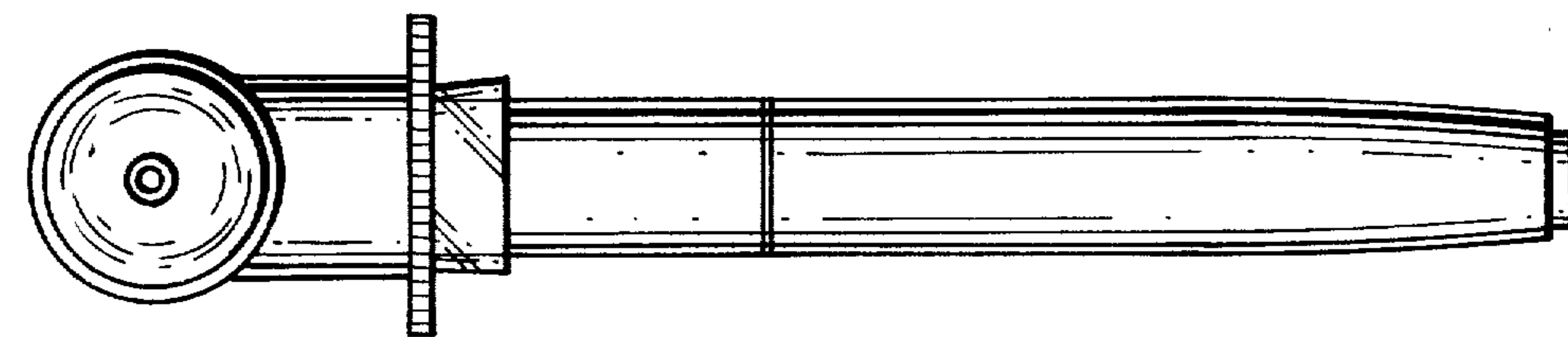


FIG. 4

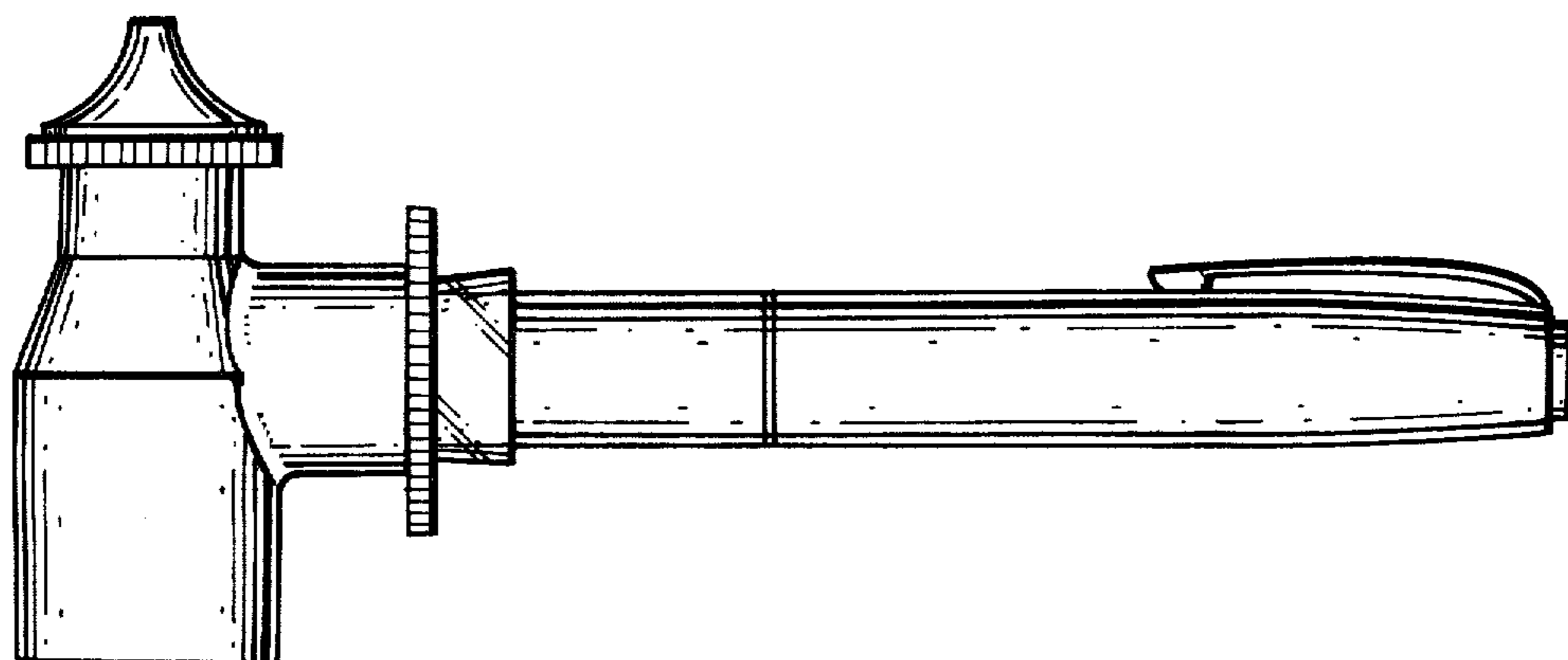


FIG. 3

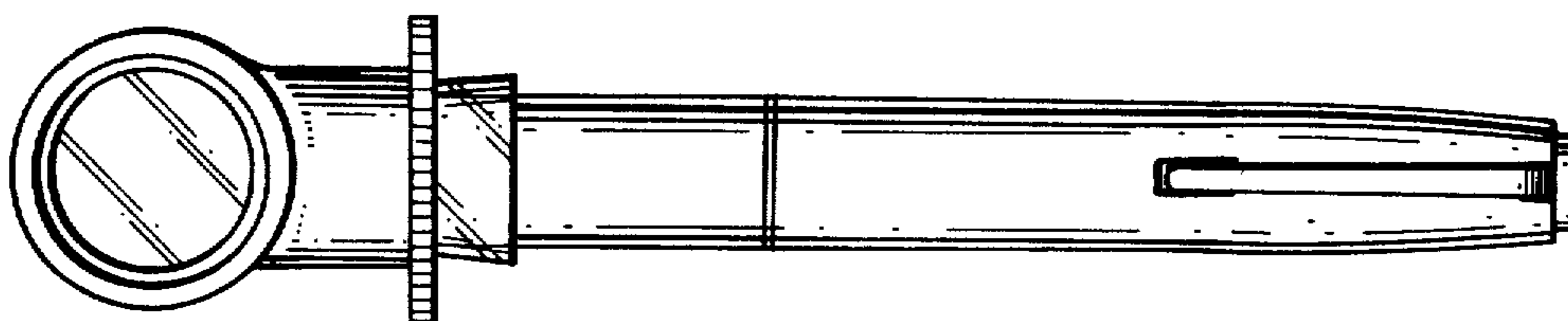


FIG. 2

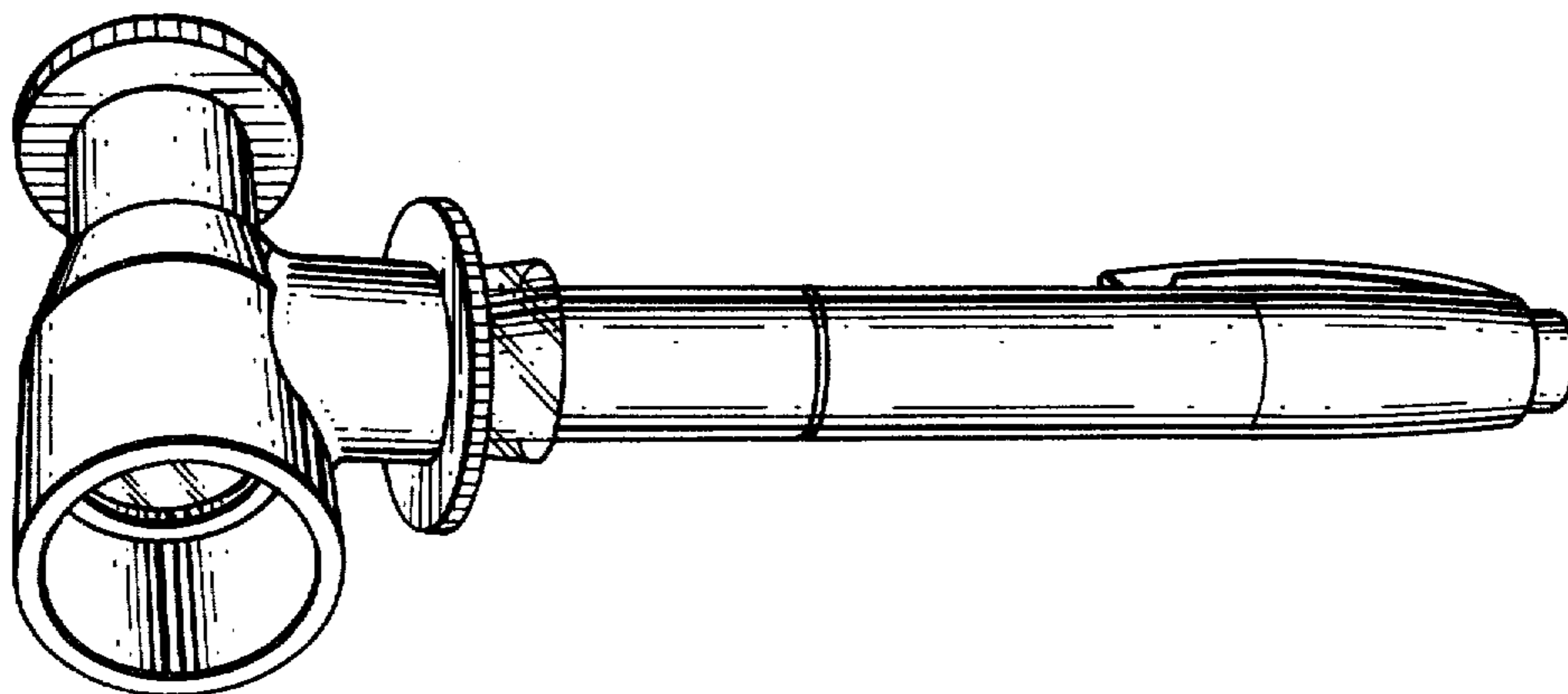


FIG. 1

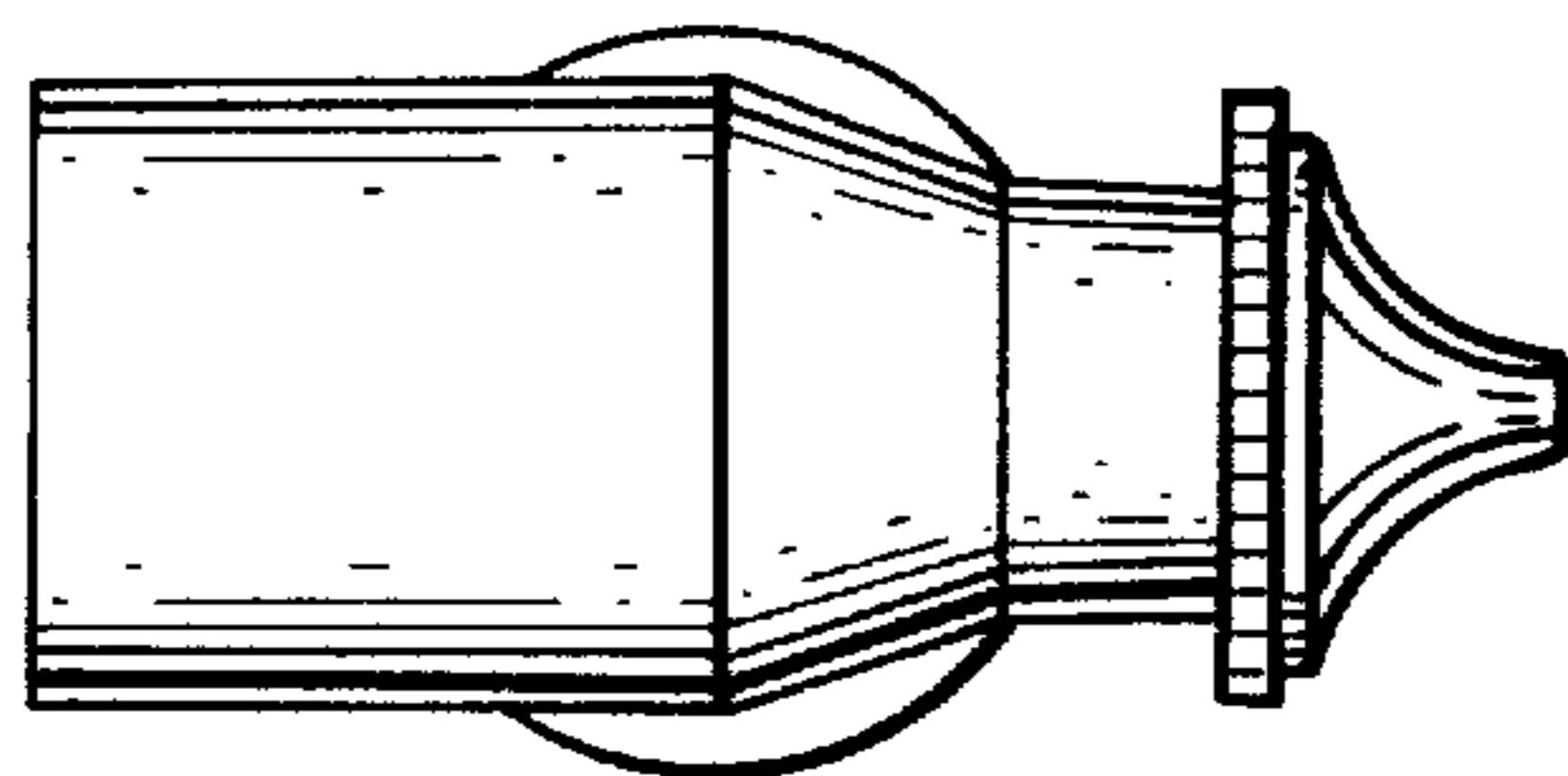


FIG. 5

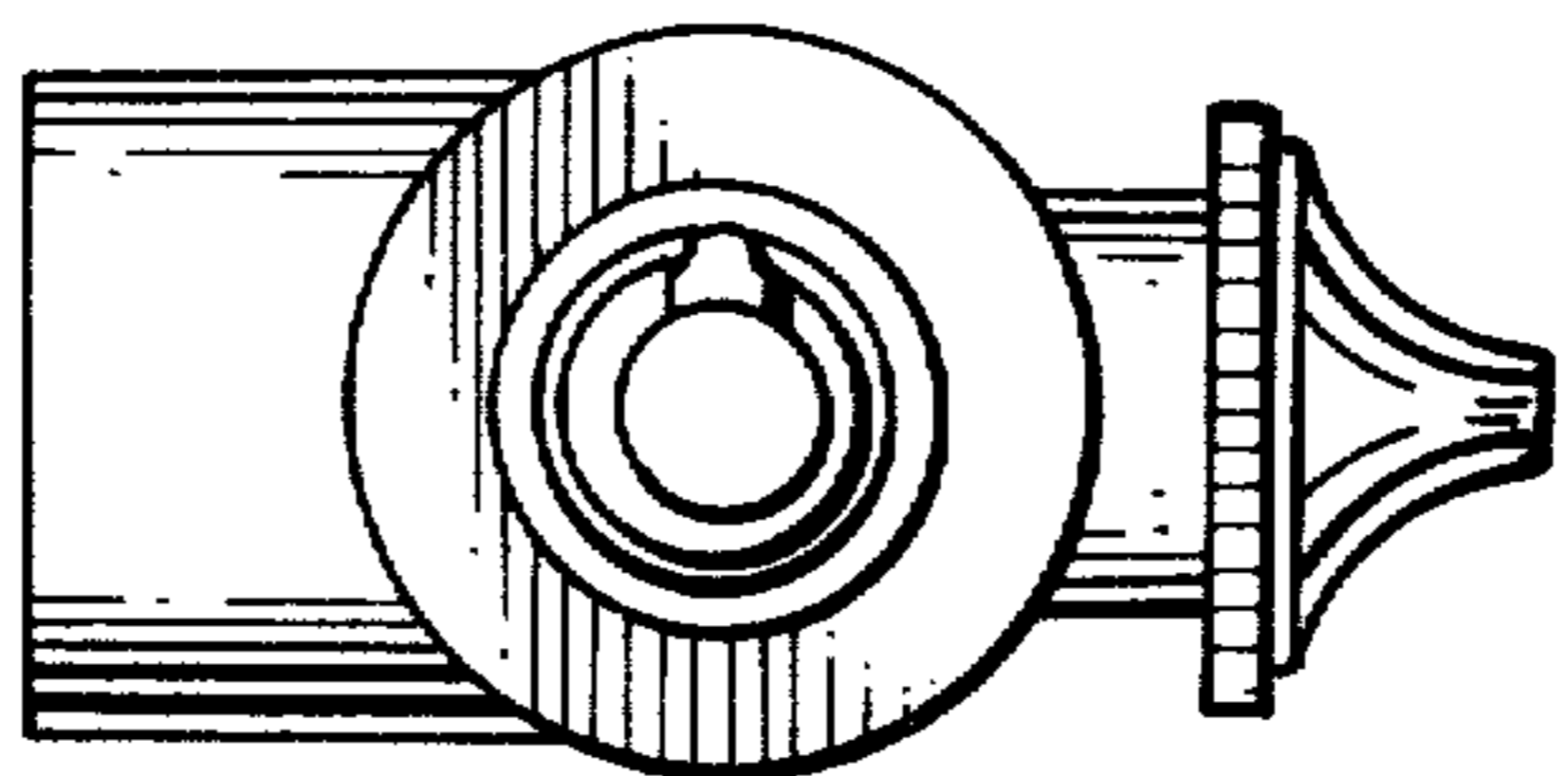


FIG. 6