

[54] HOUSING FOR POWER BLOWER  
 [75] Inventor: Charles C. Krug, Saginaw, Tex.  
 [73] Assignee: K & S Industries, Inc., Fort Worth, Tex.  
 [\*\*] Term: 14 Years  
 [21] Appl. No.: 173,793  
 [22] Filed: Jul. 30, 1980  
 [51] Int. Cl. .... D23-04  
 [52] U.S. Cl. .... D23/163; D23/155  
 [58] Field of Search .... D23/139-167; 415/121 R, 182; 417/234; 239/154, 375

3,900,165 8/1975 Parke et al. .... 239/375  
 4,089,441 5/1978 Cole et al. .... 239/154 X  
 4,132,507 1/1979 Akiyama et al. .... 417/234  
 4,237,576 12/1980 Stakes .... 417/234 X  
 4,269,571 5/1981 Shikutani et al. .... 417/234

Primary Examiner—James R. Largen  
 Attorney, Agent, or Firm—Robert A. Felsman

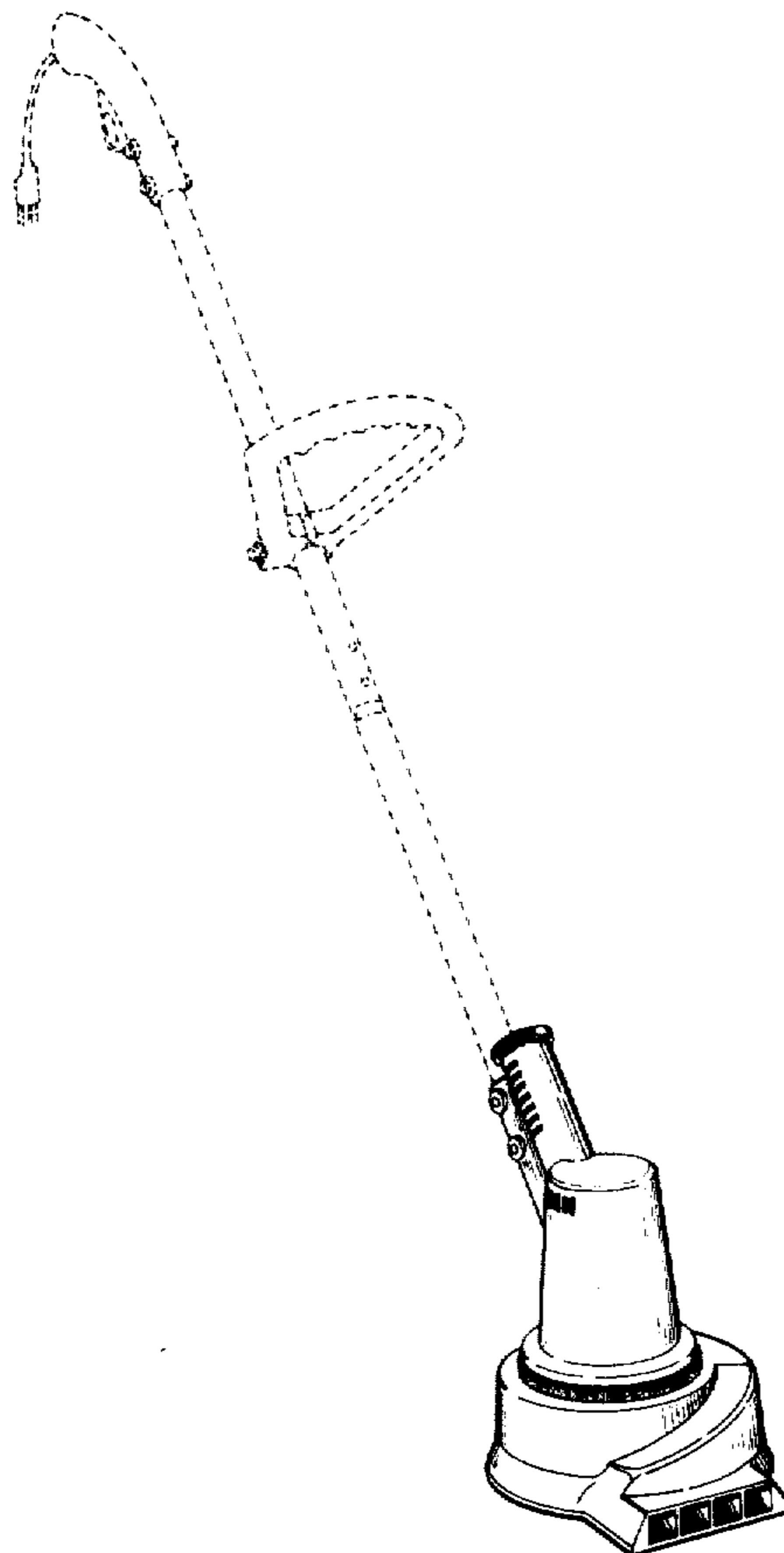
[57] CLAIM

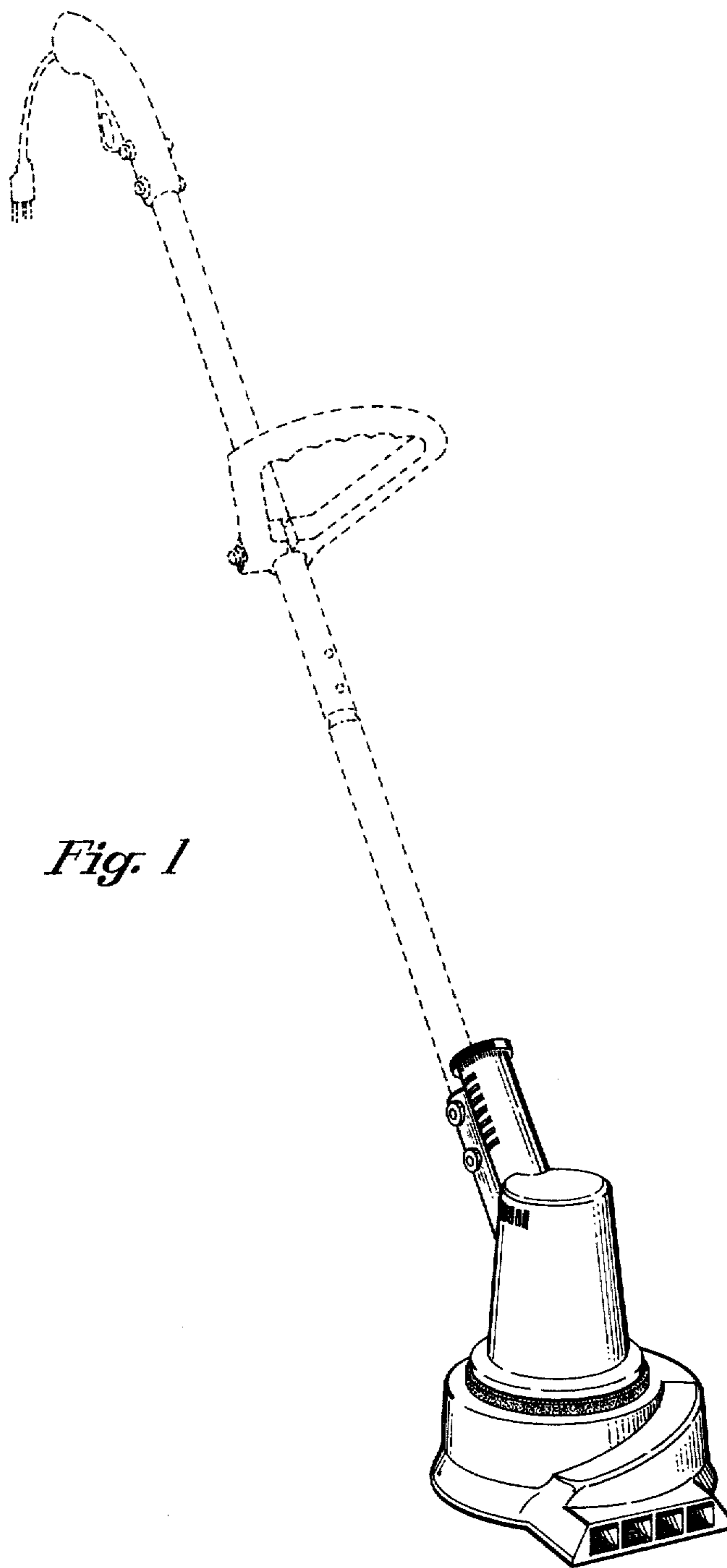
The ornamental design for a housing for power blower, as shown and described.

DESCRIPTION

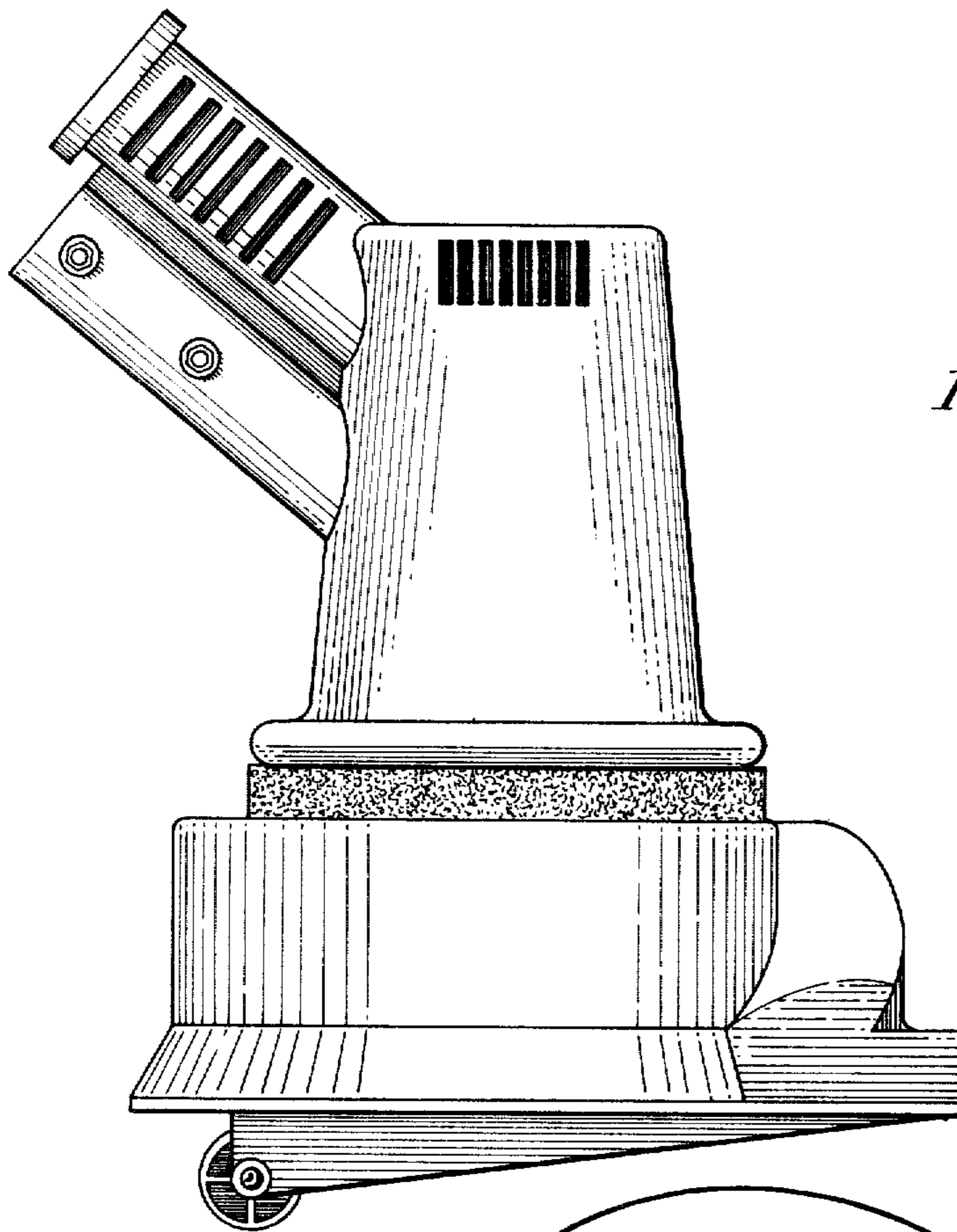
FIG. 1 is a perspective view of a housing for power blower showing my new design;  
 FIG. 2 is a left side elevational view thereof;  
 FIG. 3 is a top plan view thereof;  
 FIG. 4 is a bottom plan view thereof;  
 FIG. 5 is a right side elevational view thereof; and  
 FIG. 6 is a bottom plan view thereof.  
 The broken line representation of a handle in FIG. 1 is for purposes of illustration only.

[56] References Cited  
 U.S. PATENT DOCUMENTS  
 D. 227,987 7/1973 La Goree .... D23/162  
 D. 258,908 4/1981 Satoh .... D23/155  
 2,850,228 9/1958 Rowley .... 417/234 X  
 3,883,271 5/1975 Mertes .... 417/234



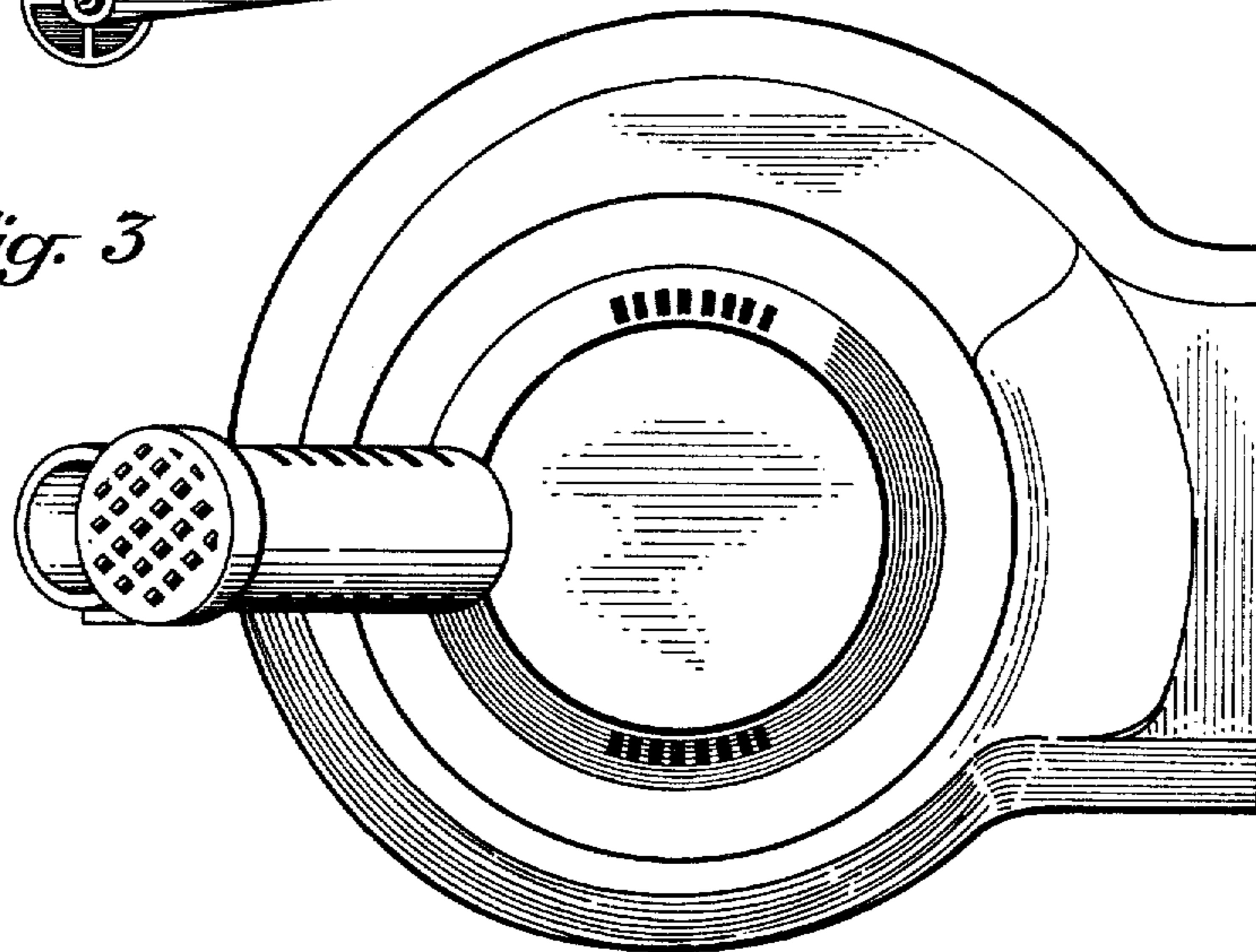


*Fig. 1*

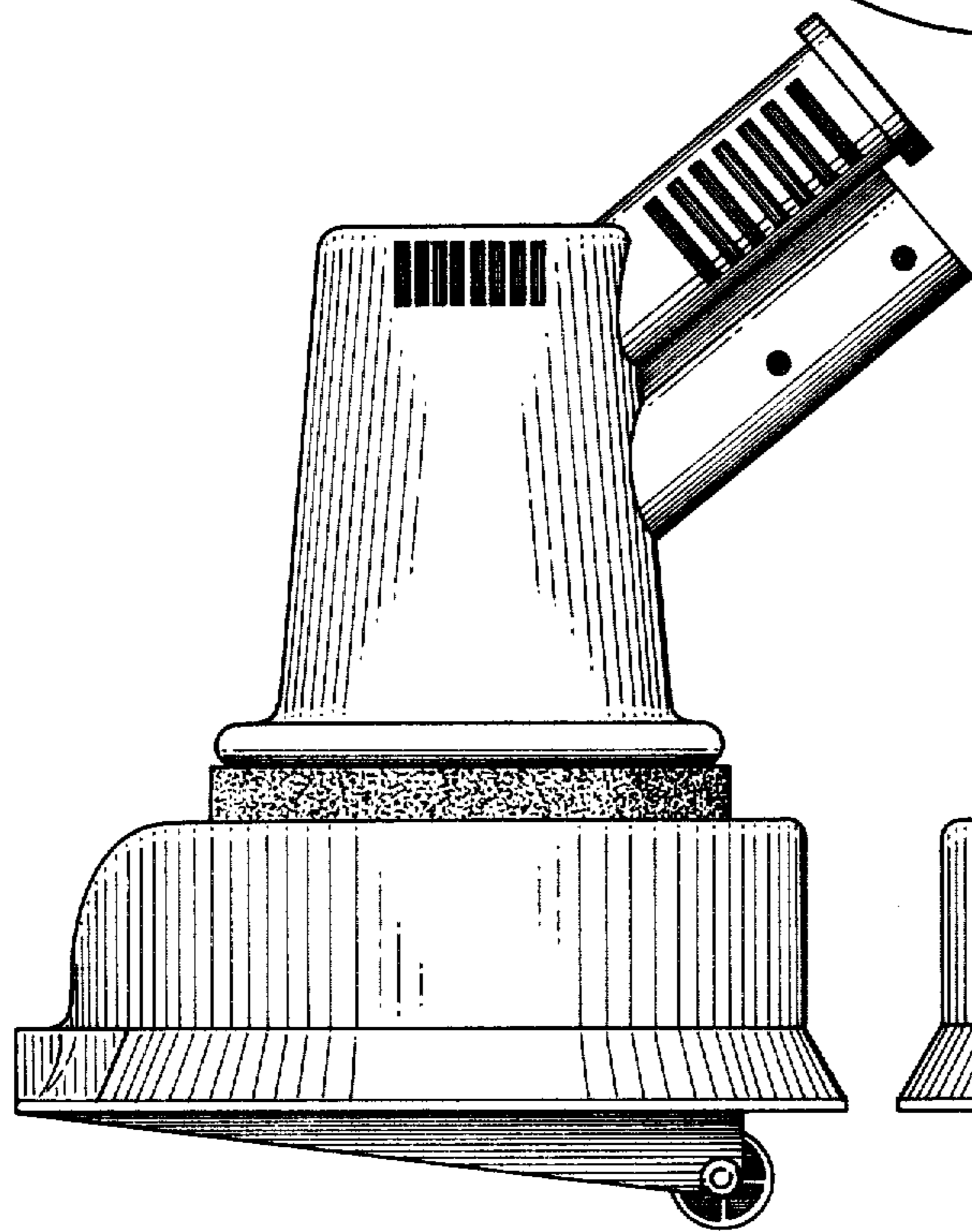
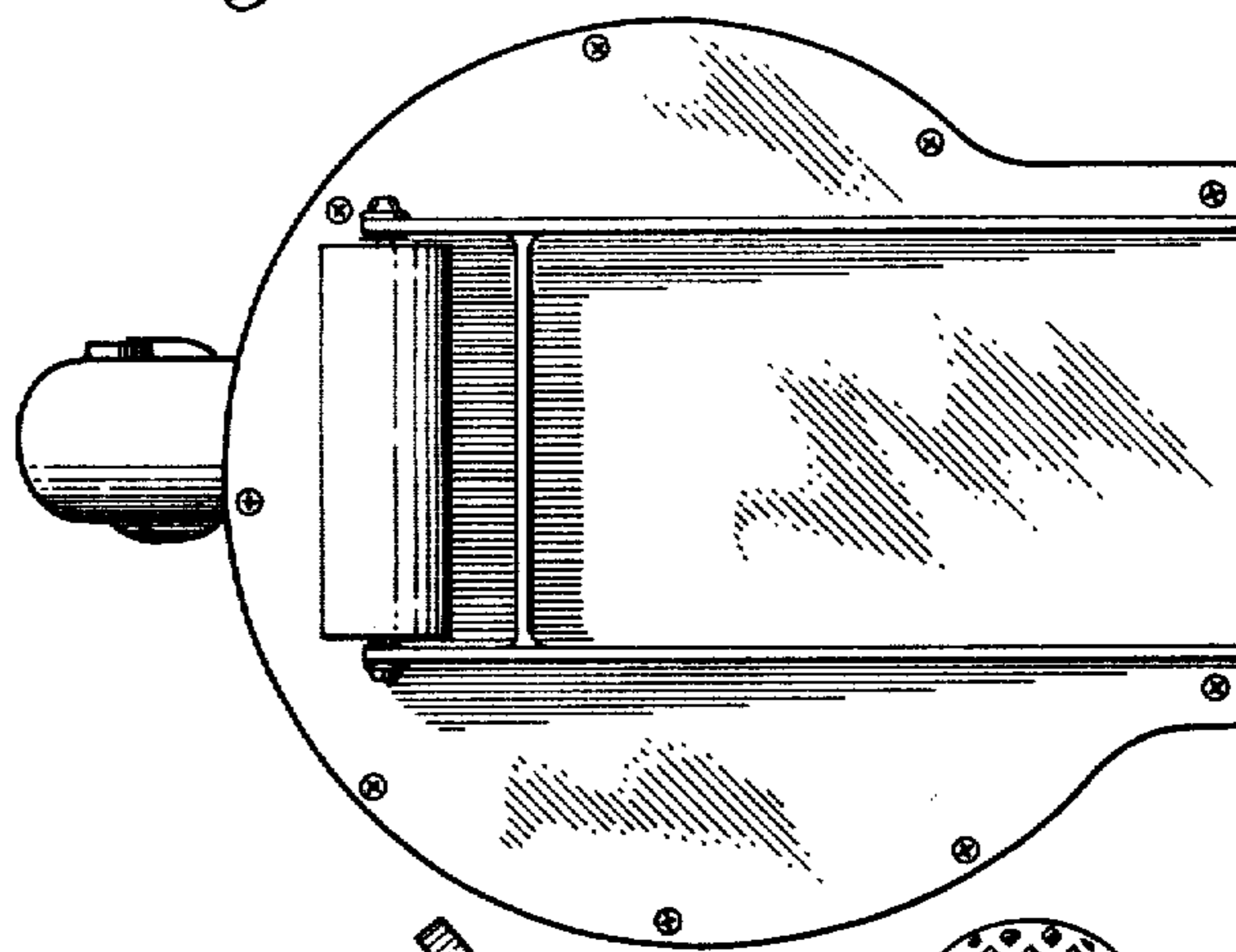


*Fig. 2*

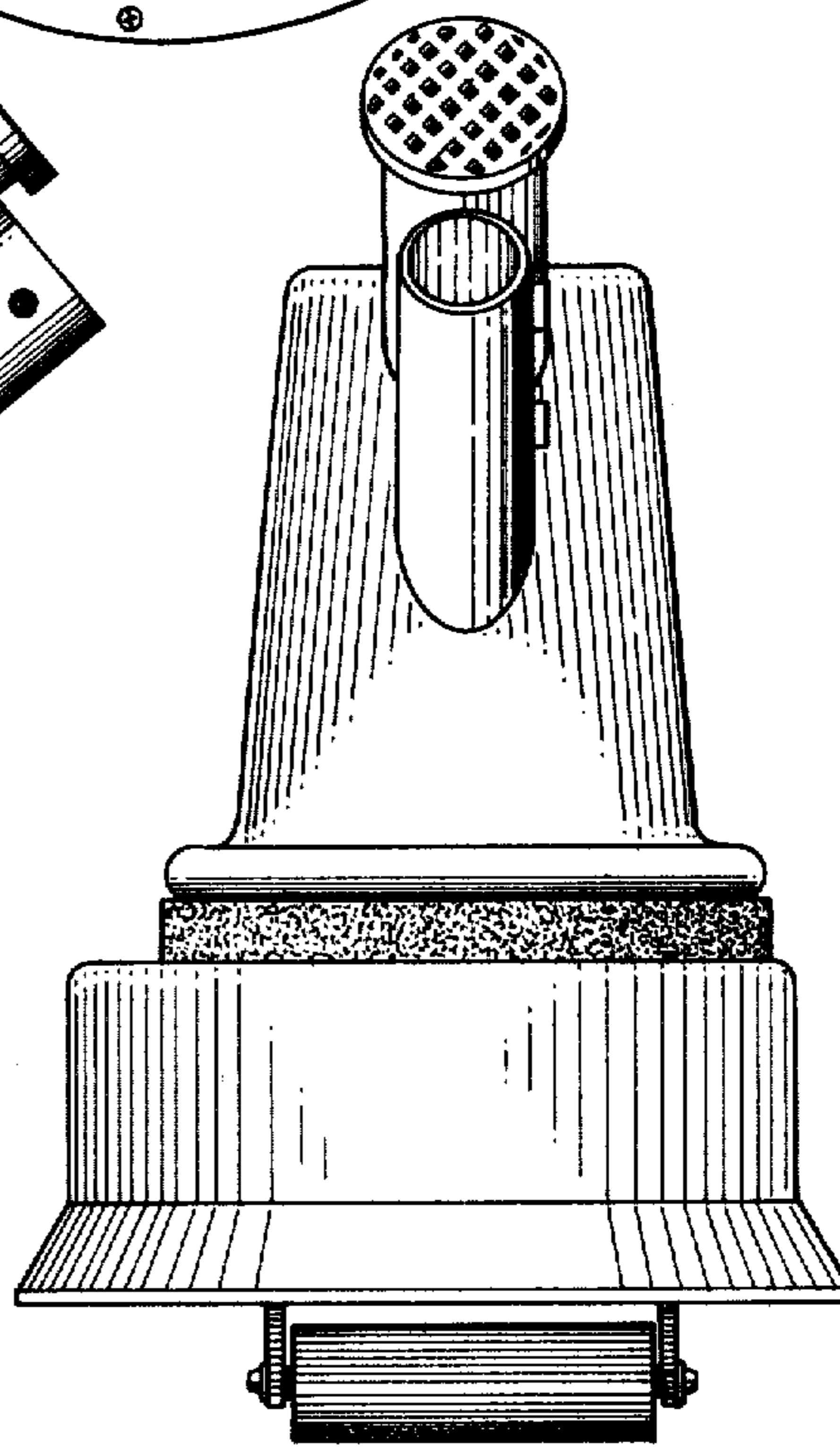
*Fig. 3*



*Fig. 4*



*Fig. 5*



*Fig. 6*