

[54] DEODORANT DISPENSER FOR A TOILET TANK OR THE LIKE

[76] Inventor: John P. Cotes, 2300 S. Lewis, Space 64, Anaheim, Calif. 92802

[\*\*] Term: 14 Years

[21] Appl. No.: 173,483

[22] Filed: Jul. 30, 1980

[51] Int. Cl. .... D23-04

[52] U.S. Cl. .... D23/150; 4/228

[58] Field of Search .... D23/139-150; 4/227, 228; 239/274

[56] References Cited

U.S. PATENT DOCUMENTS

- D. 177,170 3/1956 Edelstein et al. .... D23/150
- D. 245,705 9/1977 Fukada .... D23/150

1,291,428	1/1919	Currie	4/224
3,023,427	3/1962	Behringer	4/228
3,068,492	12/1962	Price	4/222
3,093,835	6/1963	Kaplan	4/228
3,402,861	9/1968	Cotes	222/402.2
4,056,228	11/1977	Rosenkrantz et al.	239/274
4,064,573	12/1977	Calderone	4/228

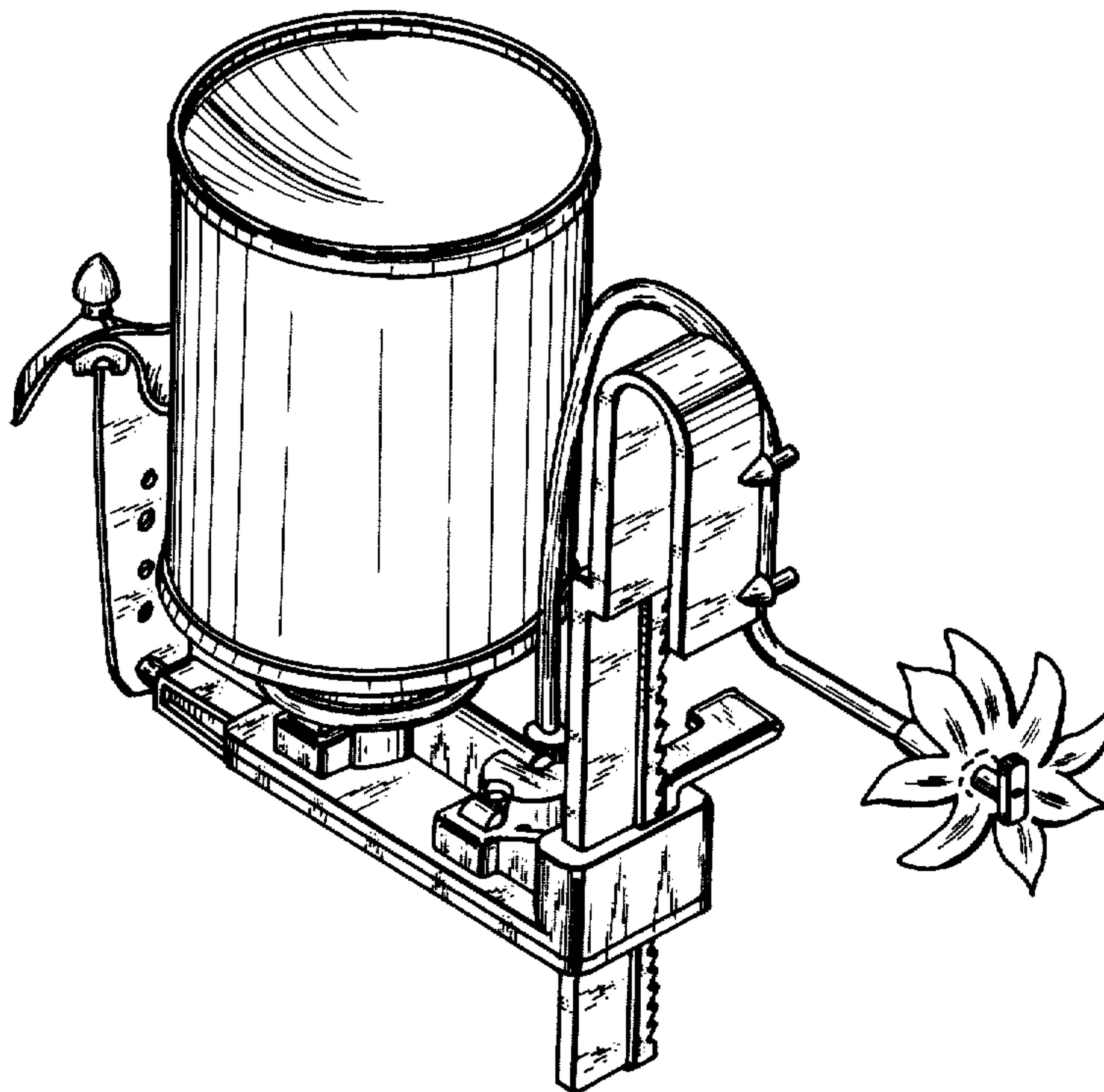
Primary Examiner—James R. Lergen  
Attorney, Agent, or Firm—Duane C. Bowen

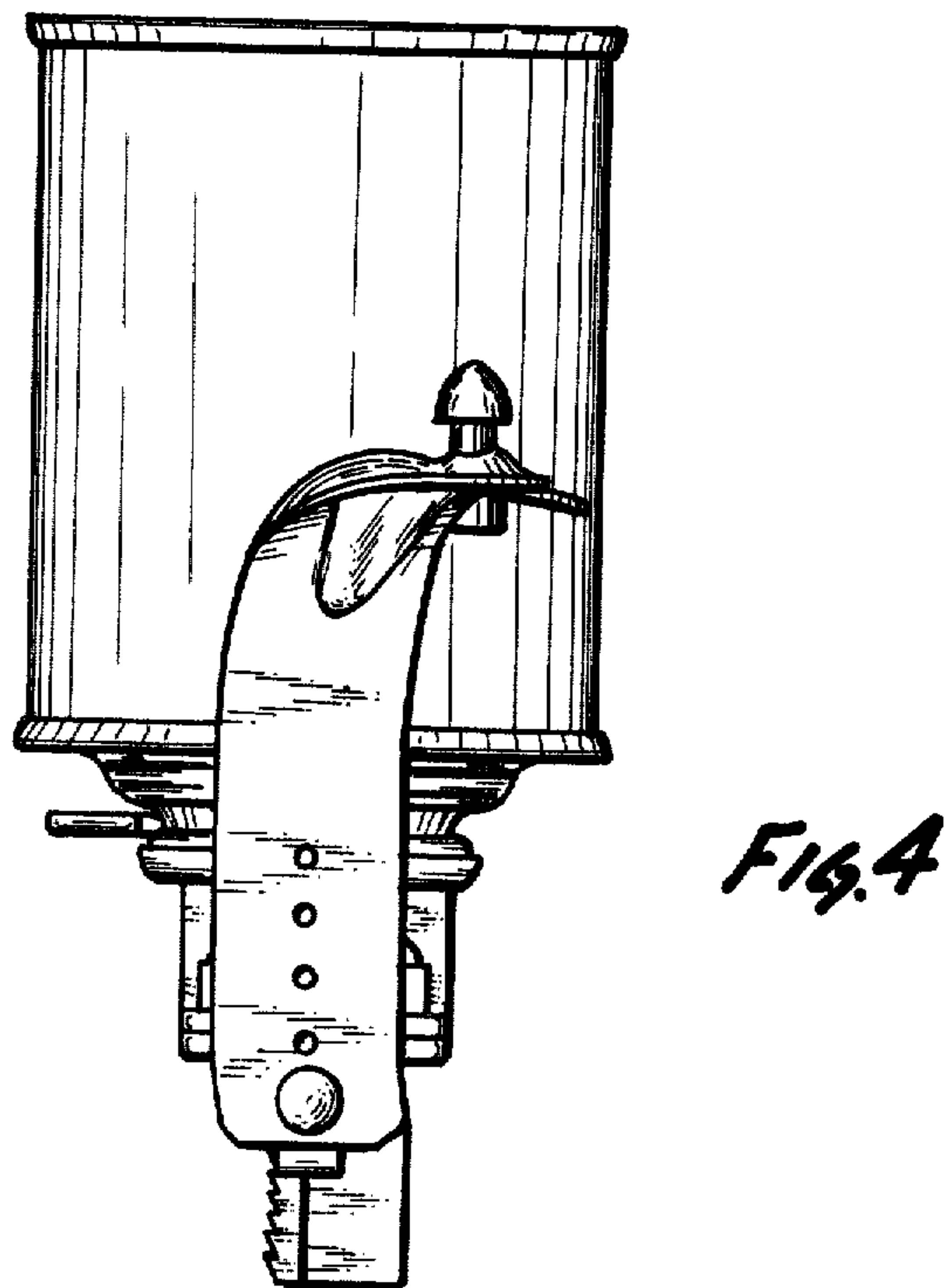
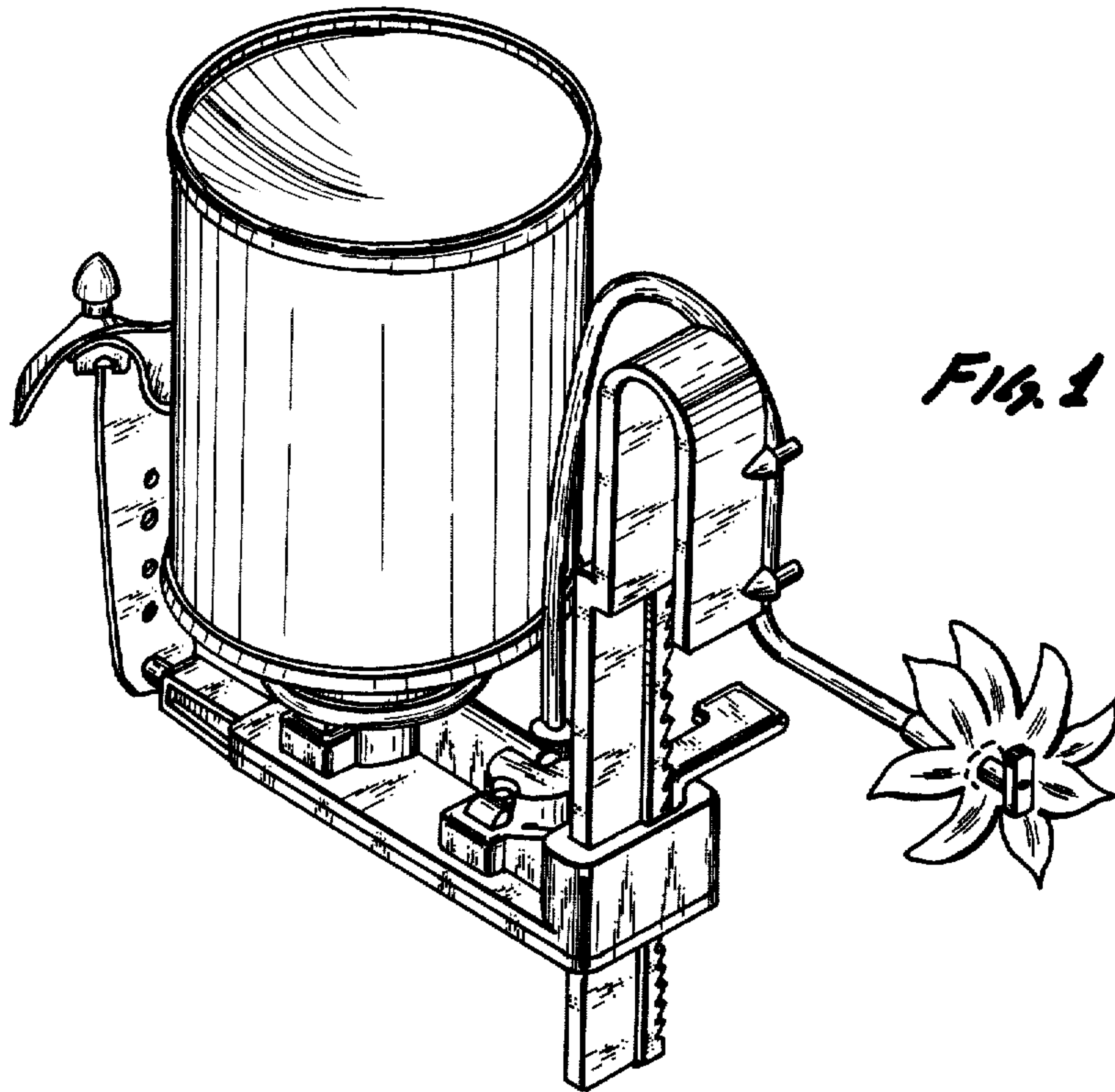
[57] CLAIM

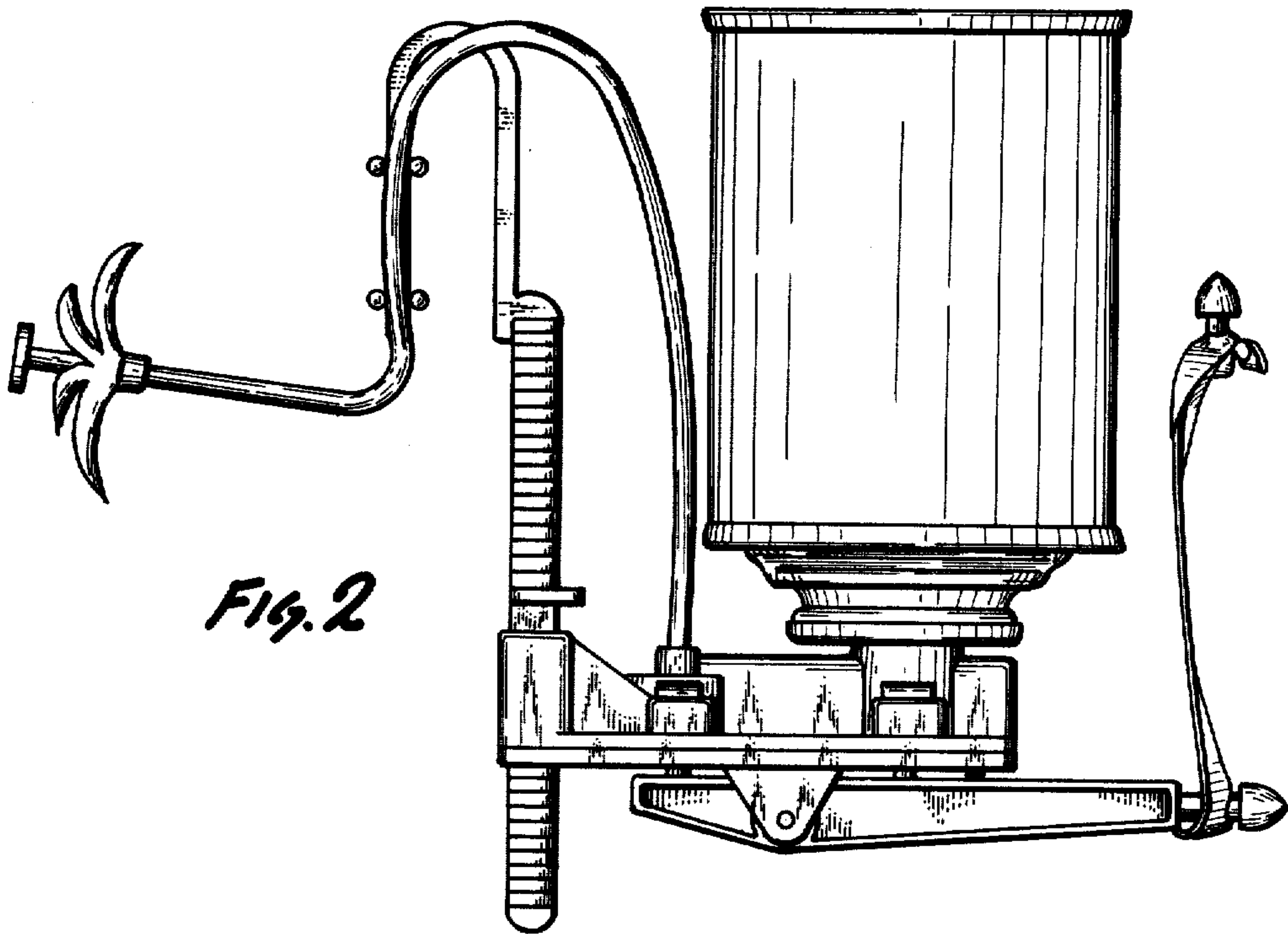
The ornamental design for a deodorant dispenser for a toilet tank or the like, as shown.

DESCRIPTION

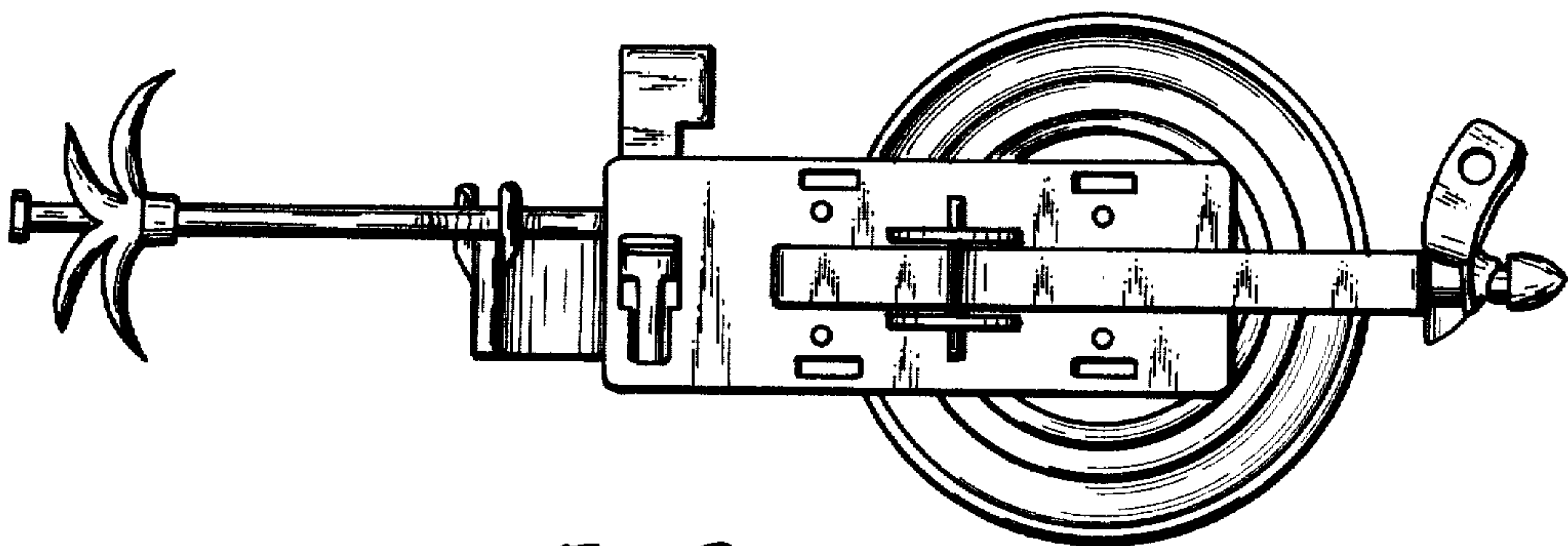
FIG. 1 is a perspective view of a deodorant dispenser for a toilet tank or the like showing my new design; FIG. 2 is a side elevational view thereof; FIG. 3 is a bottom view thereof; and FIG. 4 is an end elevational view thereof.







*Fig. 2*



*Fig. 3*