

[54] **COMBINED SPOUT AND WATER CONTROL HANDLES**

[75] Inventor: **Stanley M. Paul**, Rye, N.Y.

[73] Assignee: **American Standard Inc.**, New York, N.Y.

[**] Term: **14 Years**

[21] Appl. No.: **198,388**

[22] Filed: **Oct. 20, 1980**

[51] Int. Cl. **D23-01**

[52] U.S. Cl. **D23/25; D8/307**

[58] Field of Search **D23/23-32; D8/300, 307, 308, 310-312; 137/801**

[56] **References Cited**

U.S. PATENT DOCUMENTS

- D. 5,963 6/1872 Young D8/310 X
- D. 224,225 7/1972 Doman D23/28
- D. 237,613 11/1975 Saporito et al. D23/25

OTHER PUBLICATIONS

- Industrial Design, Jun. 1954, p. 107, top left item.
- House & Garden, Feb. 1961, p. 17, "Hexagen Basin Set".
- Artistic Brass, Inc. Brochure, pp. 2 and 3.

Domestic Engineering, May 1979, p. 47, bottom left & center items.

Primary Examiner—James R. Largen
Attorney, Agent, or Firm—James J. Salerno, Jr.; Robert G. Crooks; John P. Sinnott

[57] **CLAIM**

The ornamental design for a combined spout and water control handles, substantially as shown and described.

DESCRIPTION

FIG. 1 is a perspective view taken from the top, front and one side of a combined spout and water control handles showing my new design;

FIG. 2 is a rear elevational view thereof;

FIG. 3 is a perspective view taken from the top, front and one side of a modified form of the combined spout and water control handles shown in FIG. 1;

FIG. 4 is a rear elevational view of FIG. 3;

FIG. 5 is a perspective view taken from the top, front and one side of one of the handles shown in FIG. 1;

FIG. 6 is a top plan view of FIG. 5;

FIG. 7 is a side elevational view of FIG. 5;

FIG. 8 is a perspective view taken from the top, front and one side of one of the handles shown in FIG. 3;

FIG. 9 is a top plan view of FIG. 8; and

FIG. 10 is a side elevational view of FIG. 8.

The fragmentary broken line representation of a portion of a lavatory in FIGS. 1 through 4 is for purposes of illustration.

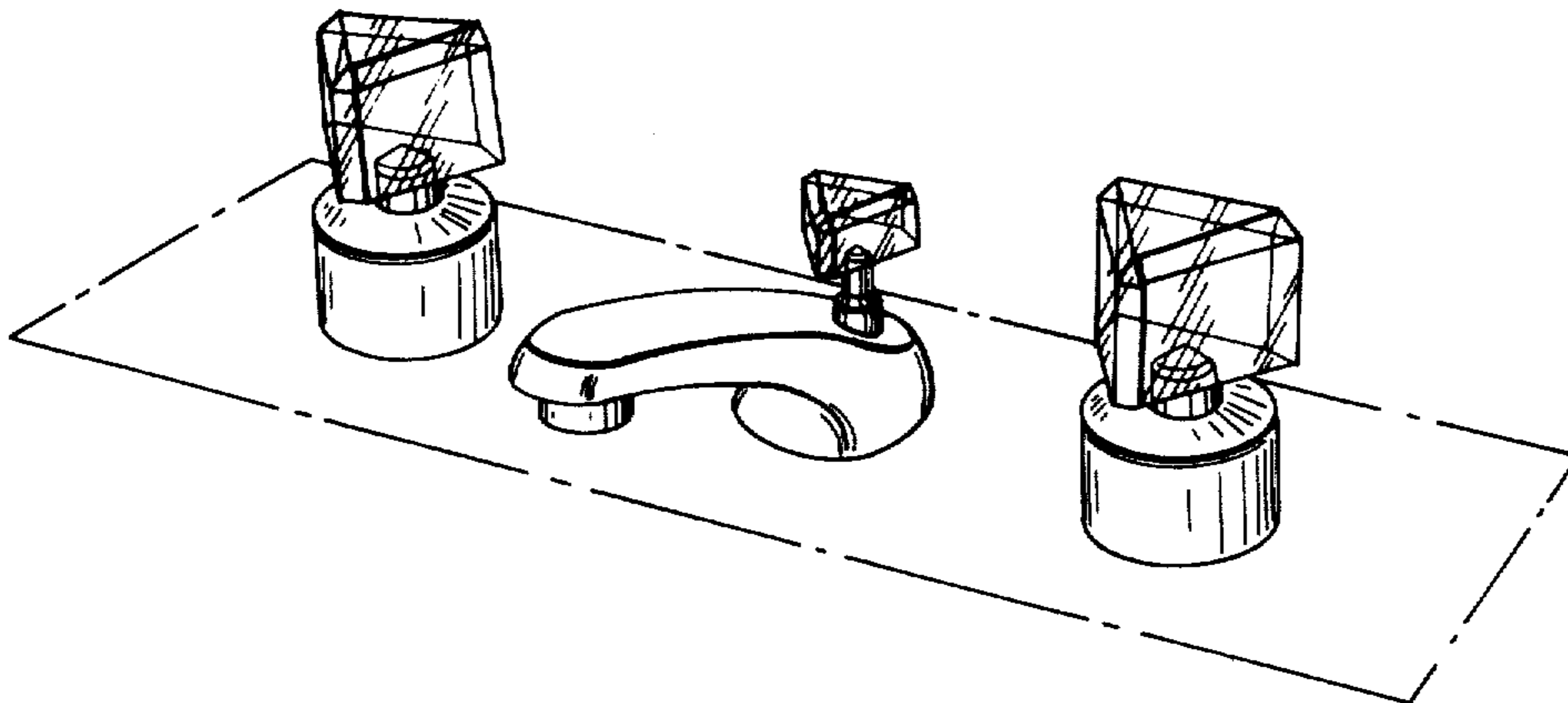


FIG. 1

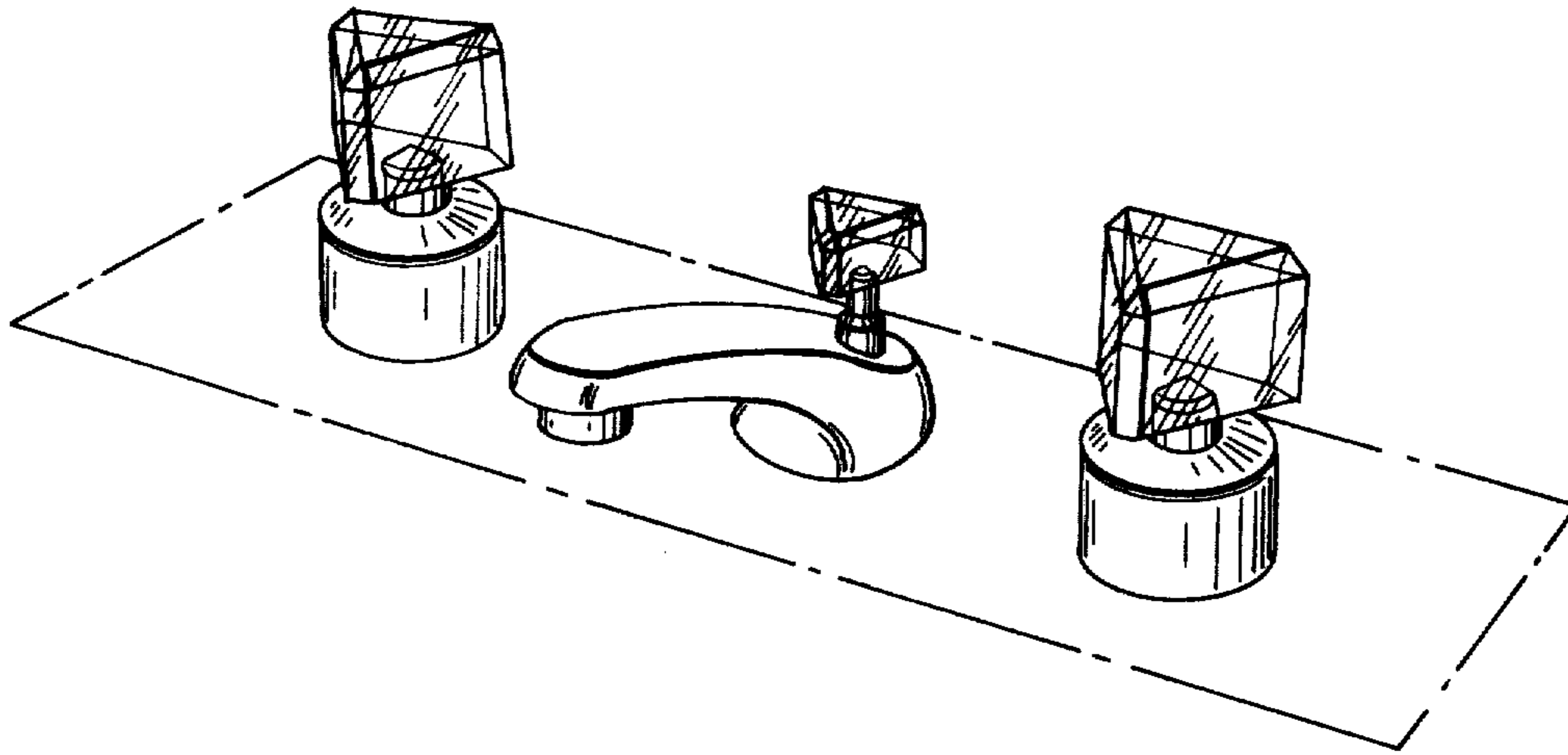


FIG. 2

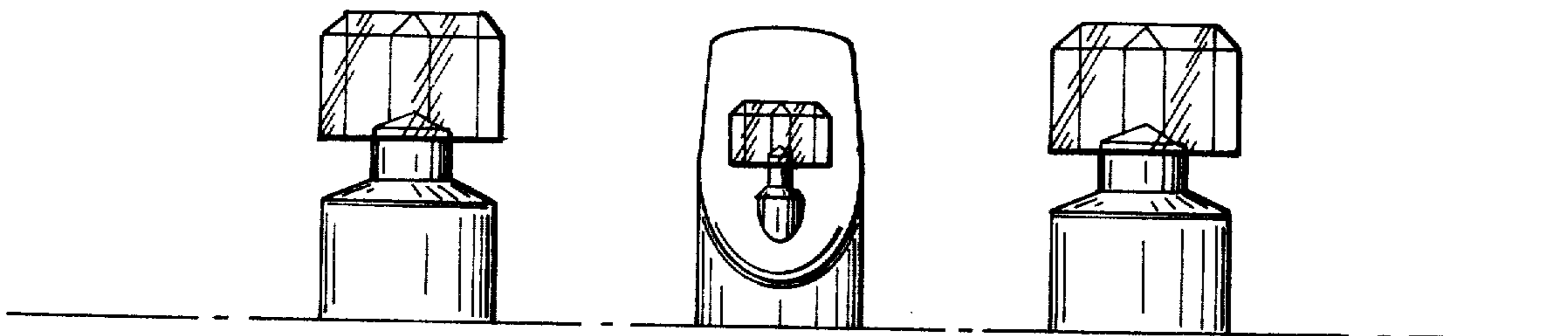


FIG. 3

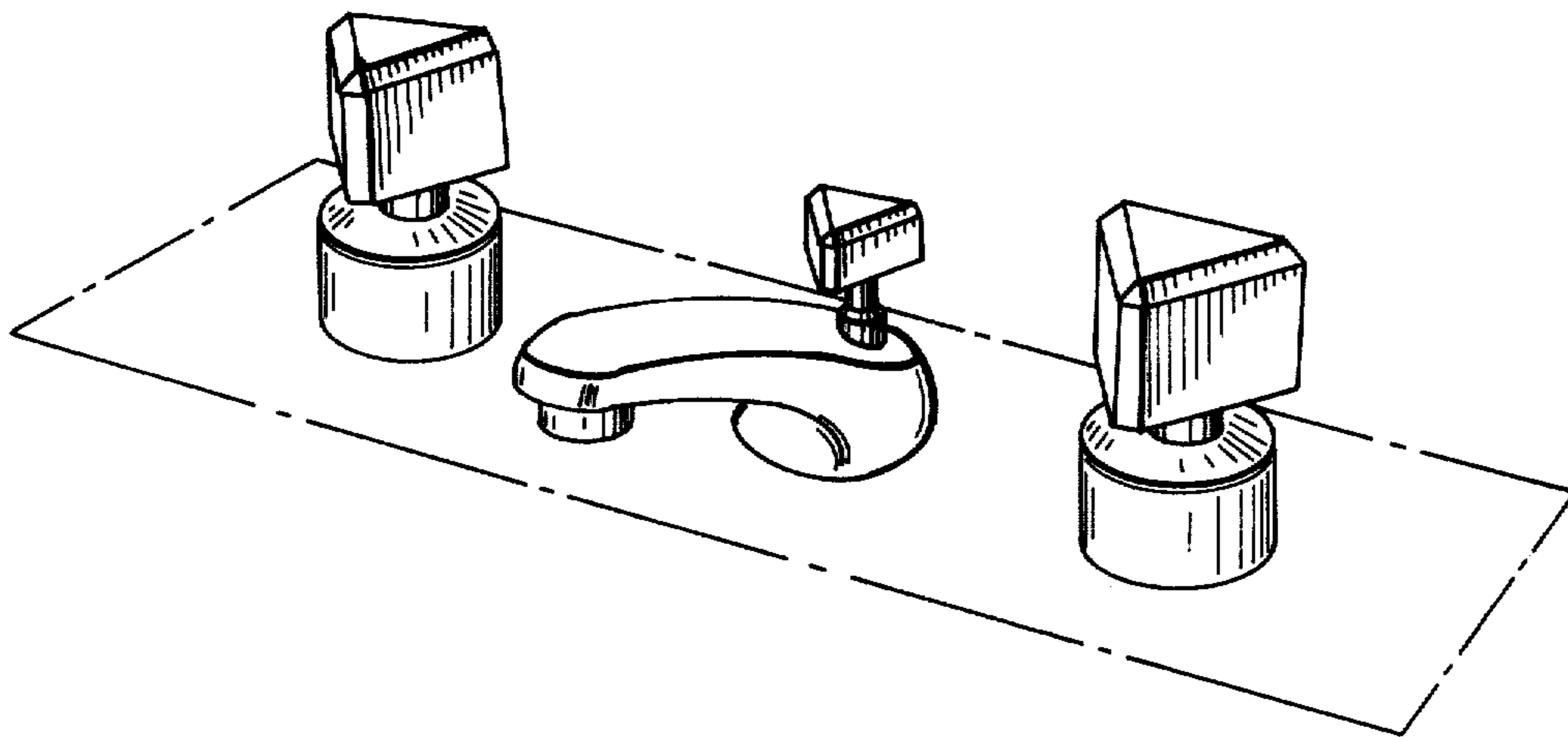


FIG. 4

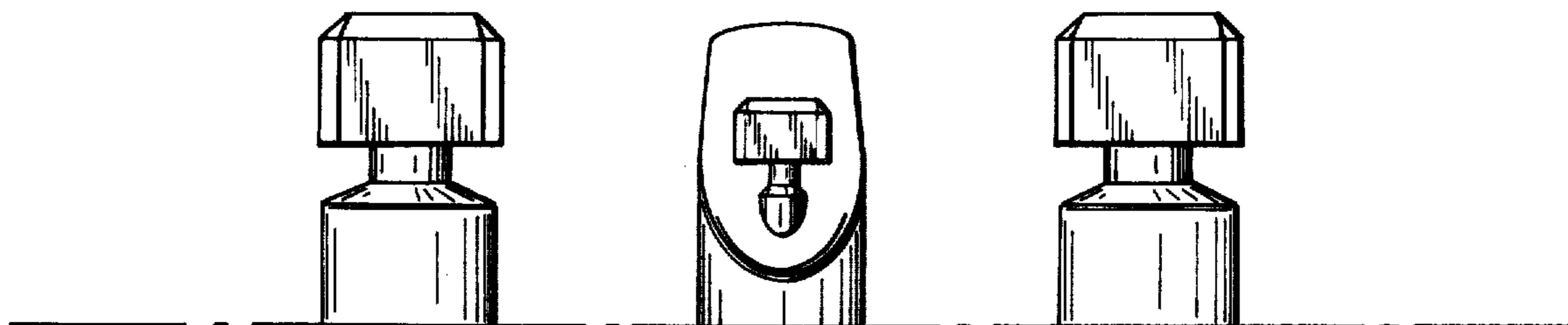


FIG. 5

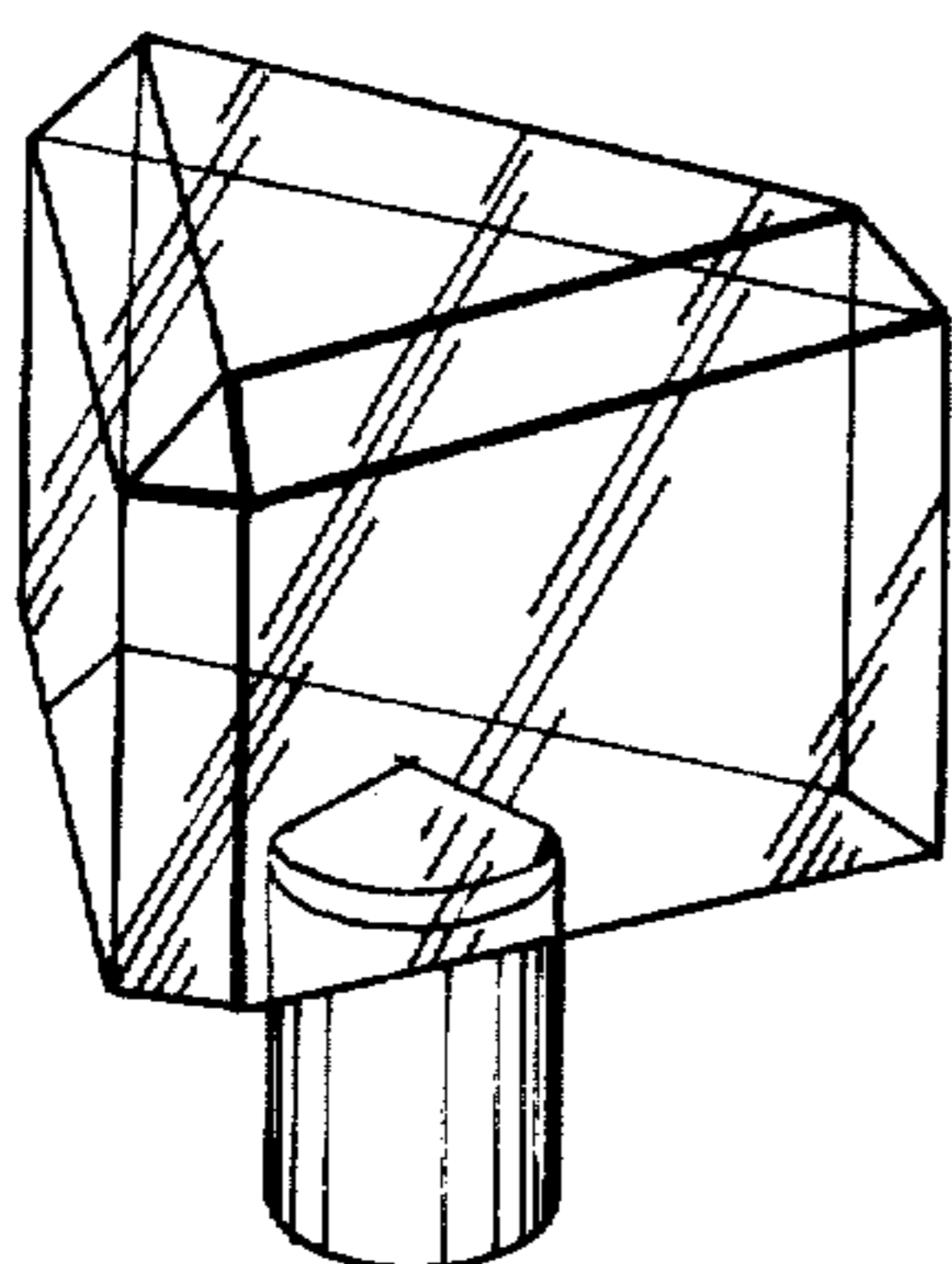


FIG. 8

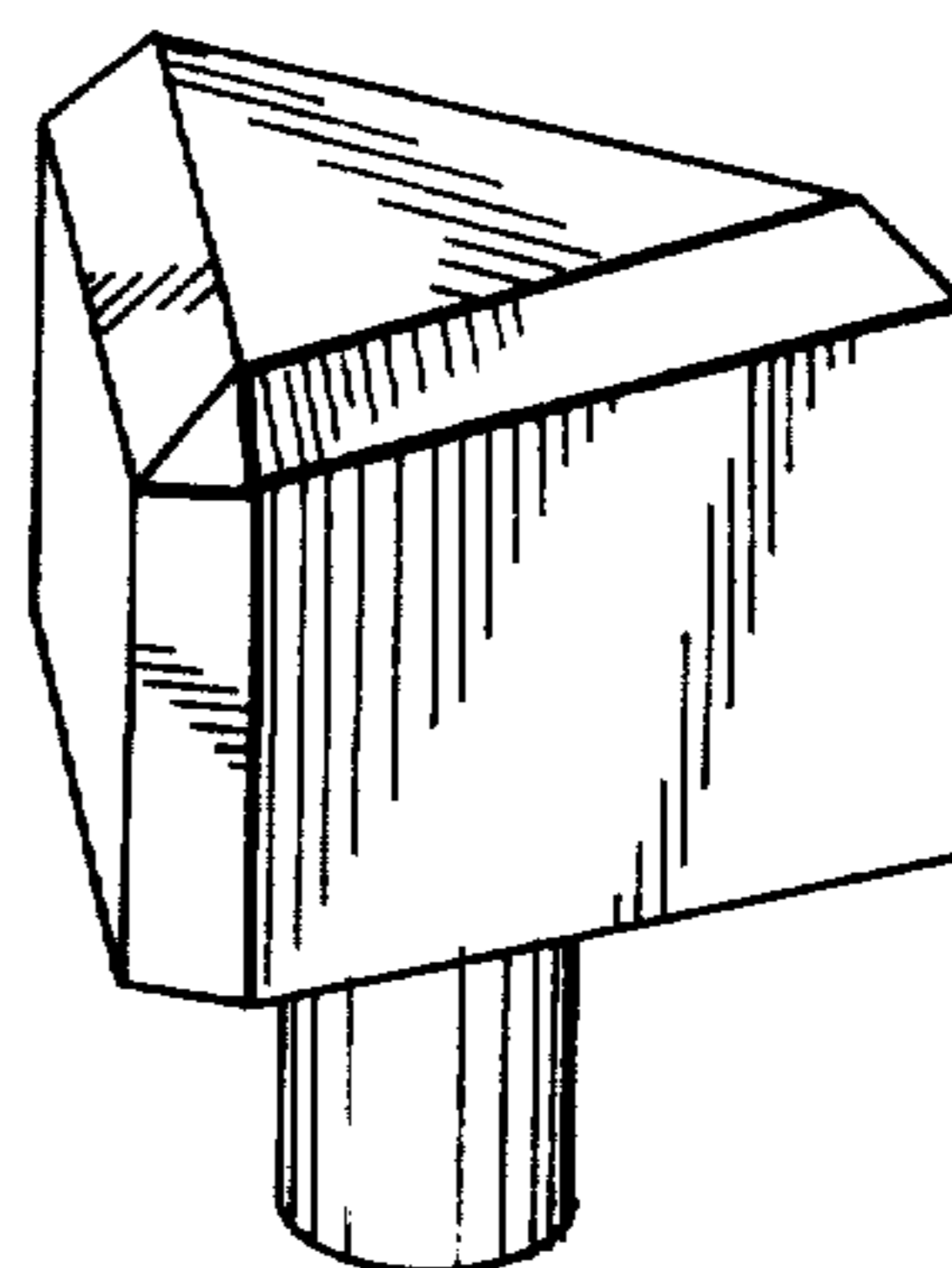


FIG. 6

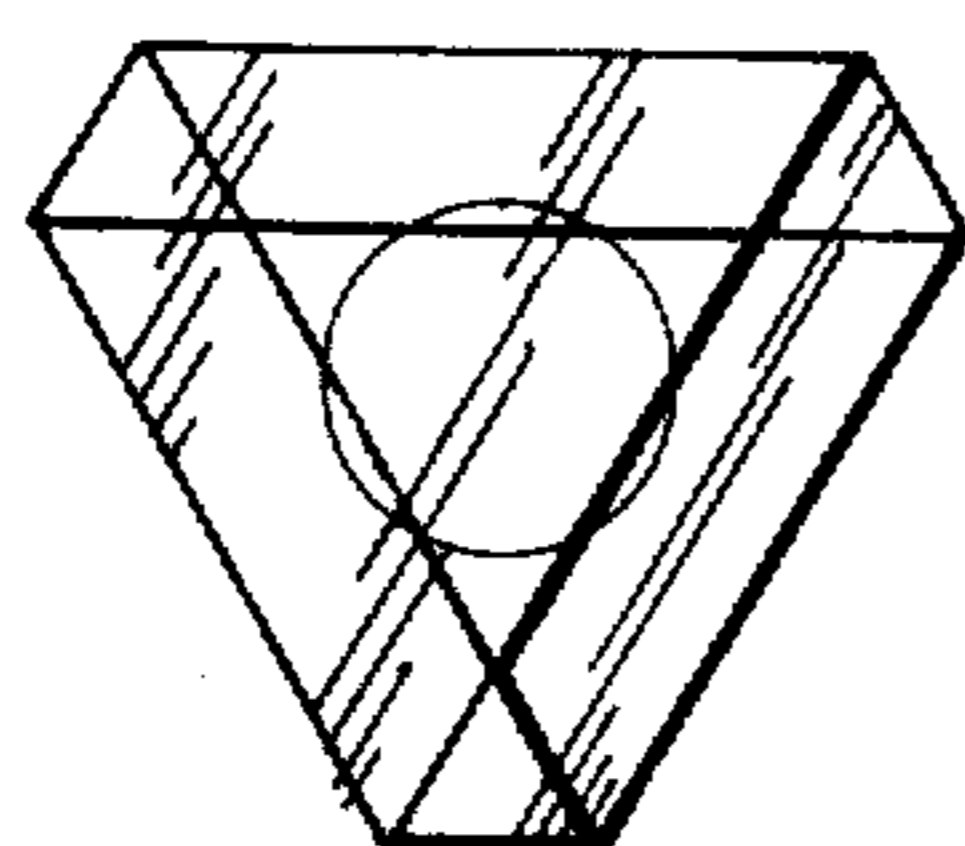


FIG. 9

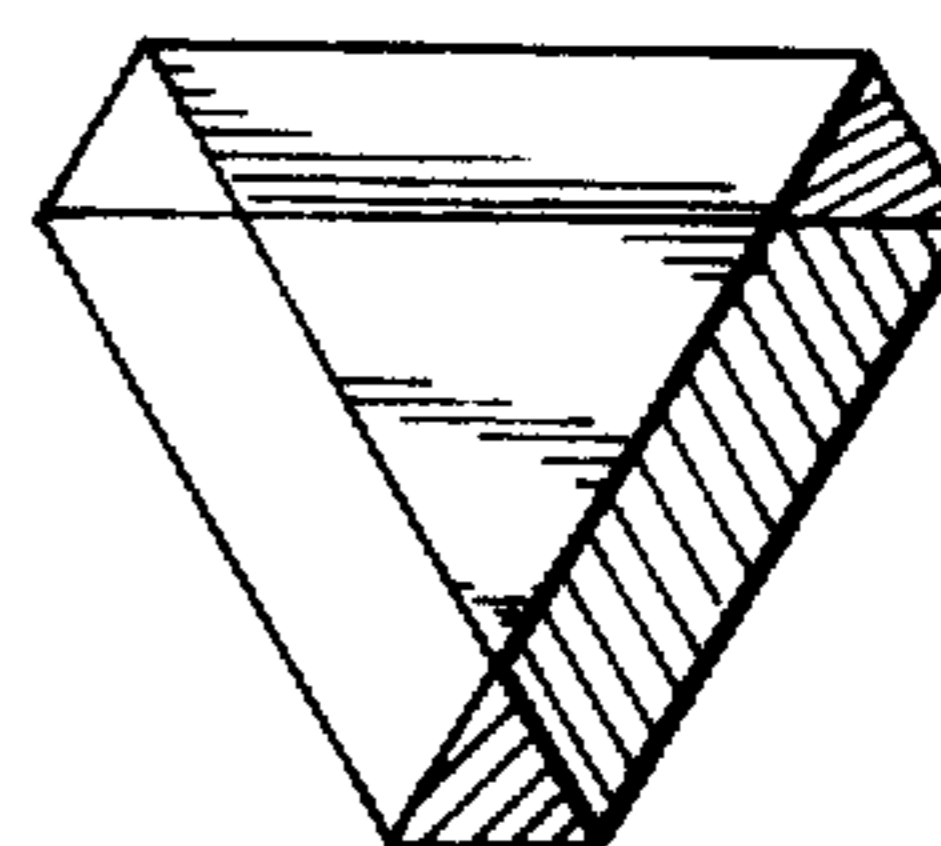


FIG. 7

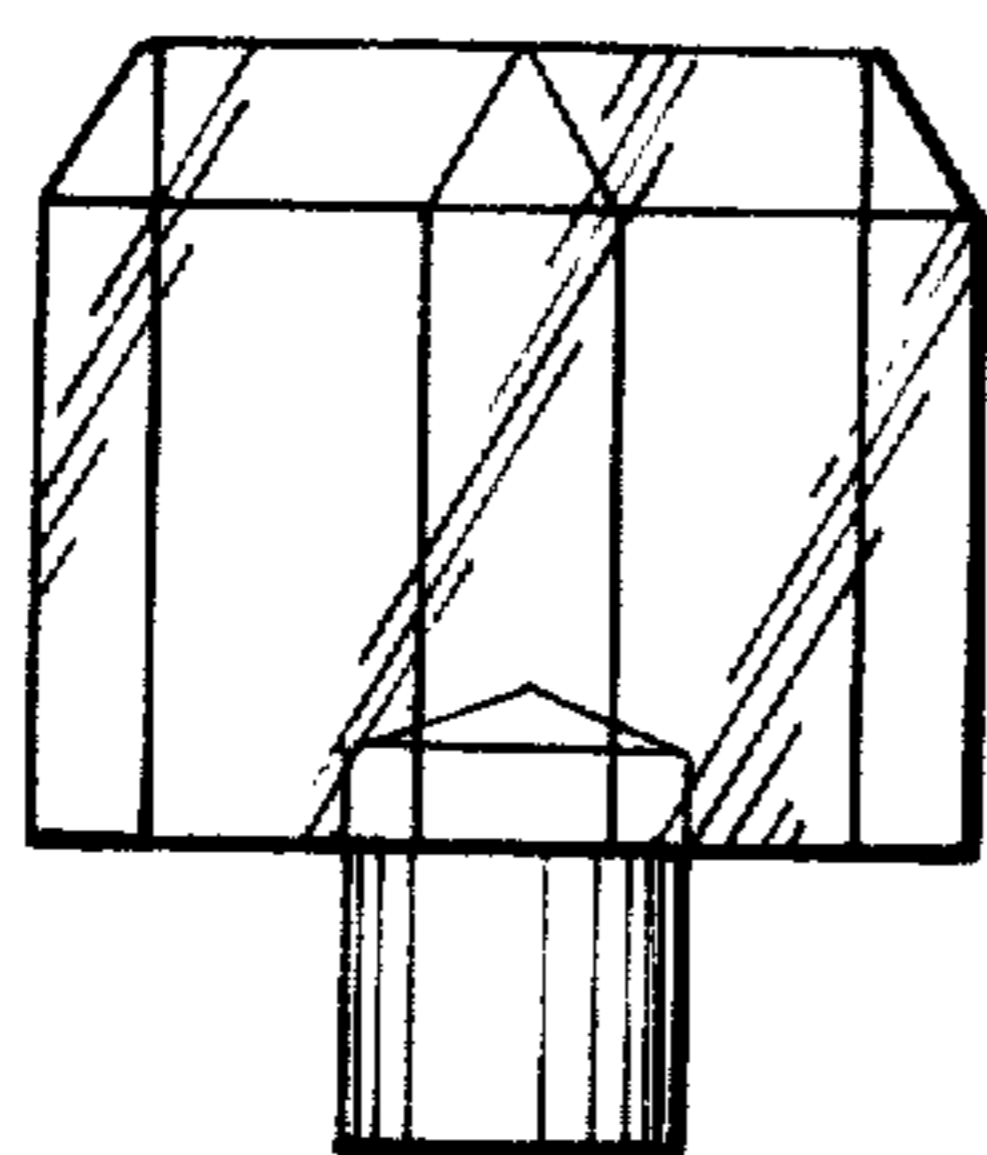


FIG. 10

