

[54] **FISHING REEL**

[75] **Inventors: Masakazu Sakamoto; Takeshi Shohoji, both of Fukuyama, Japan**

[73] **Assignee: Ryobi Ltd., Hiroshima, Japan**

[**] **Term: 14 Years**

[21] **Appl. No.: 169,557**

[22] **Filed: Jul. 17, 1980**

[30] **Foreign Application Priority Data**

Jan. 28, 1980 [JP] Japan 55-2539

[51] **Int. Cl. D22-05**

[52] **U.S. Cl. D22/25**

[58] **Field of Search 242/84.1 R; 43/20, 18 R; D22/25, 26**

[56]

References Cited

U.S. PATENT DOCUMENTS

D. 216,193 12/1969 Bittaker, Jr. et al. D22/25
D. 247,247 2/1978 Okada D22/25
D. 255,702 7/1980 Inuma D22/25
D. 258,904 4/1981 Myojo D22/25

Primary Examiner—A. Hugo Word
Attorney, Agent, or Firm—Sughrue, Mion, Zinn, Macpeak & Seas

[57]

CLAIM

The ornamental design for a fishing reel, as shown.

DESCRIPTION

FIG. 1 is a left side elevational view of a fishing reel showing our new design;

FIG. 2 is a top plan view thereof;

FIG. 3 is a front elevational view thereof;

FIG. 4 is a rear elevational view thereof;

FIG. 5 is a right side elevational view thereof; and

FIG. 6 is a bottom plan view thereof.

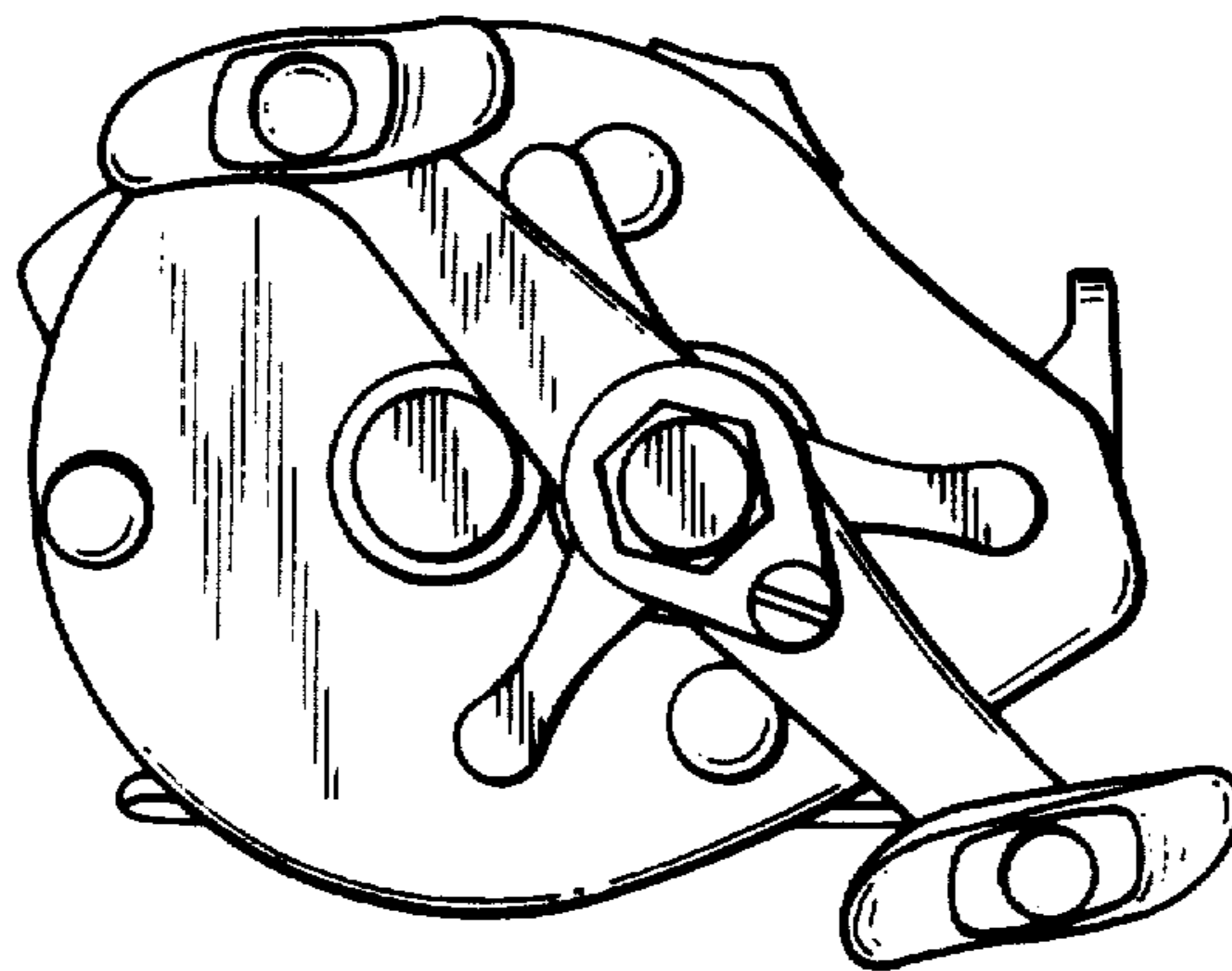


FIG. 1

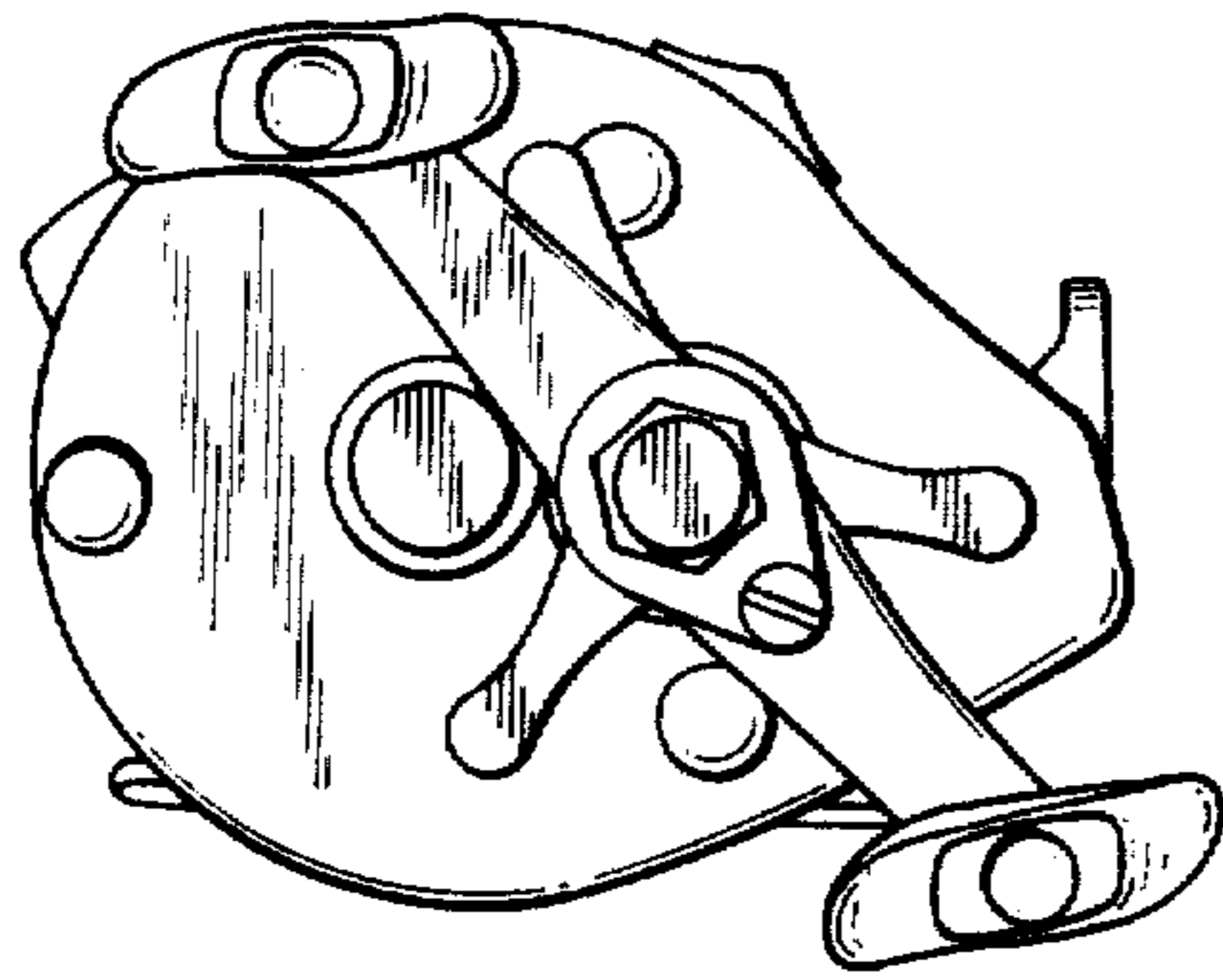


FIG. 3

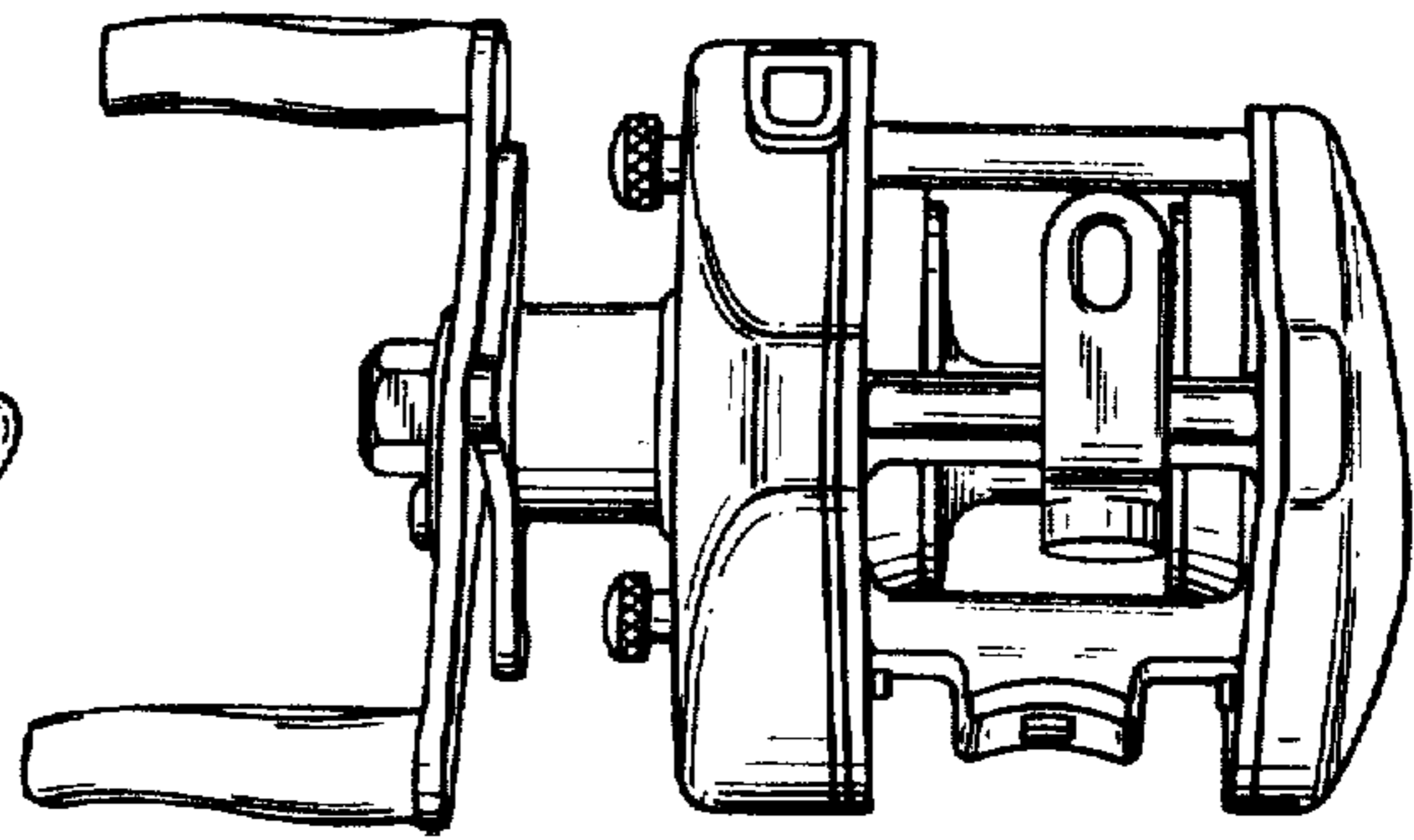


FIG. 2

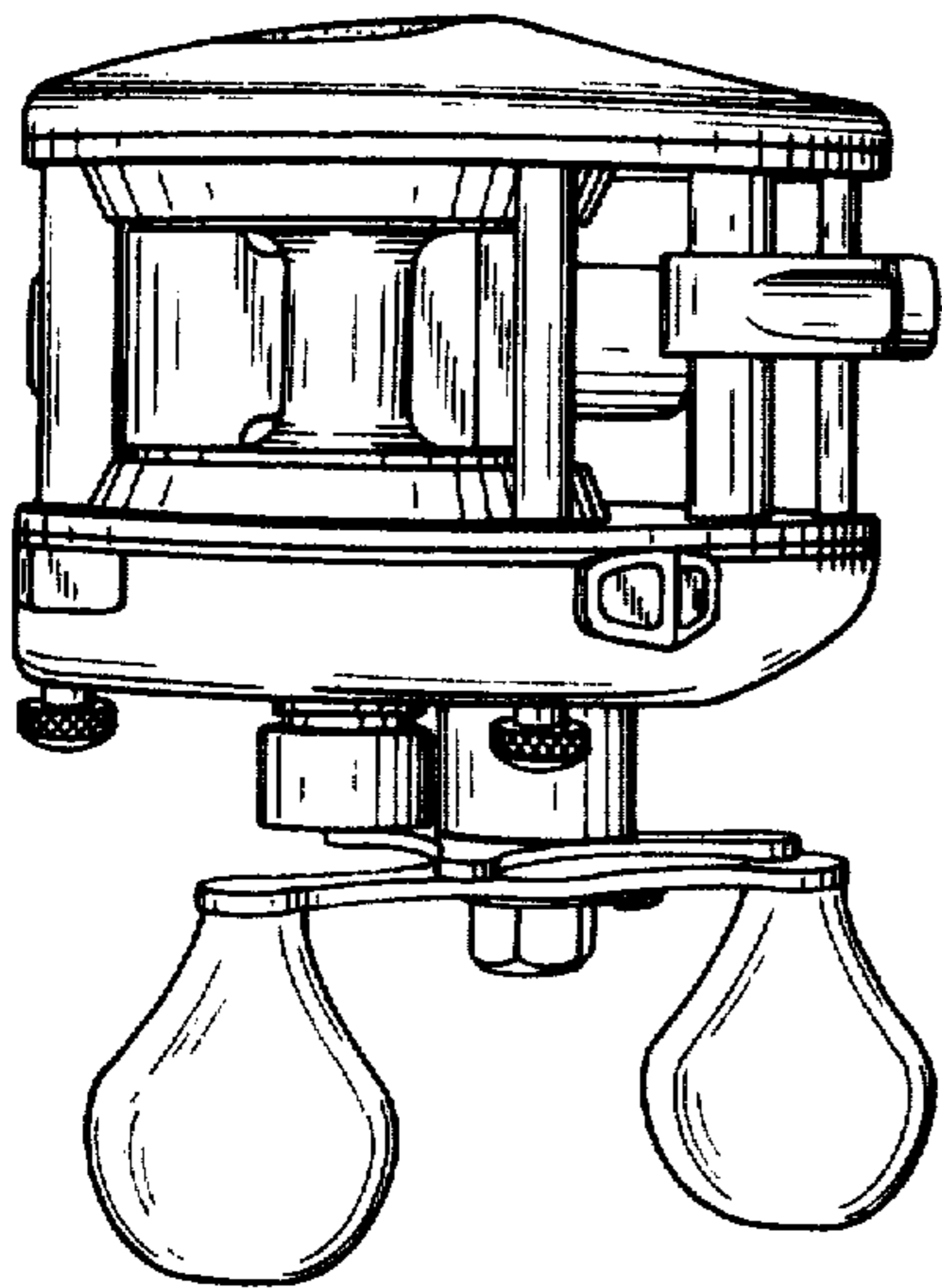


FIG. 4

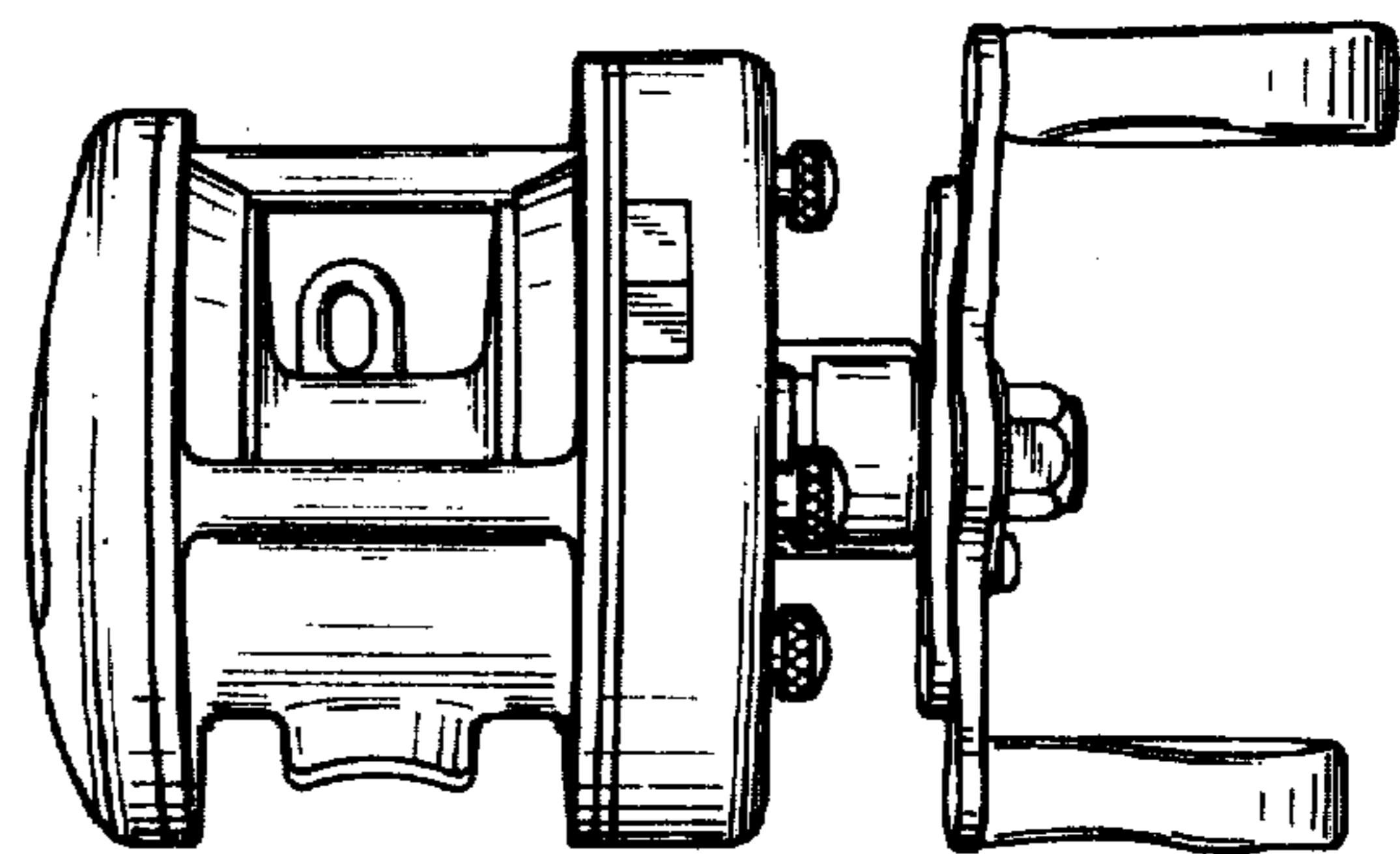


FIG. 5

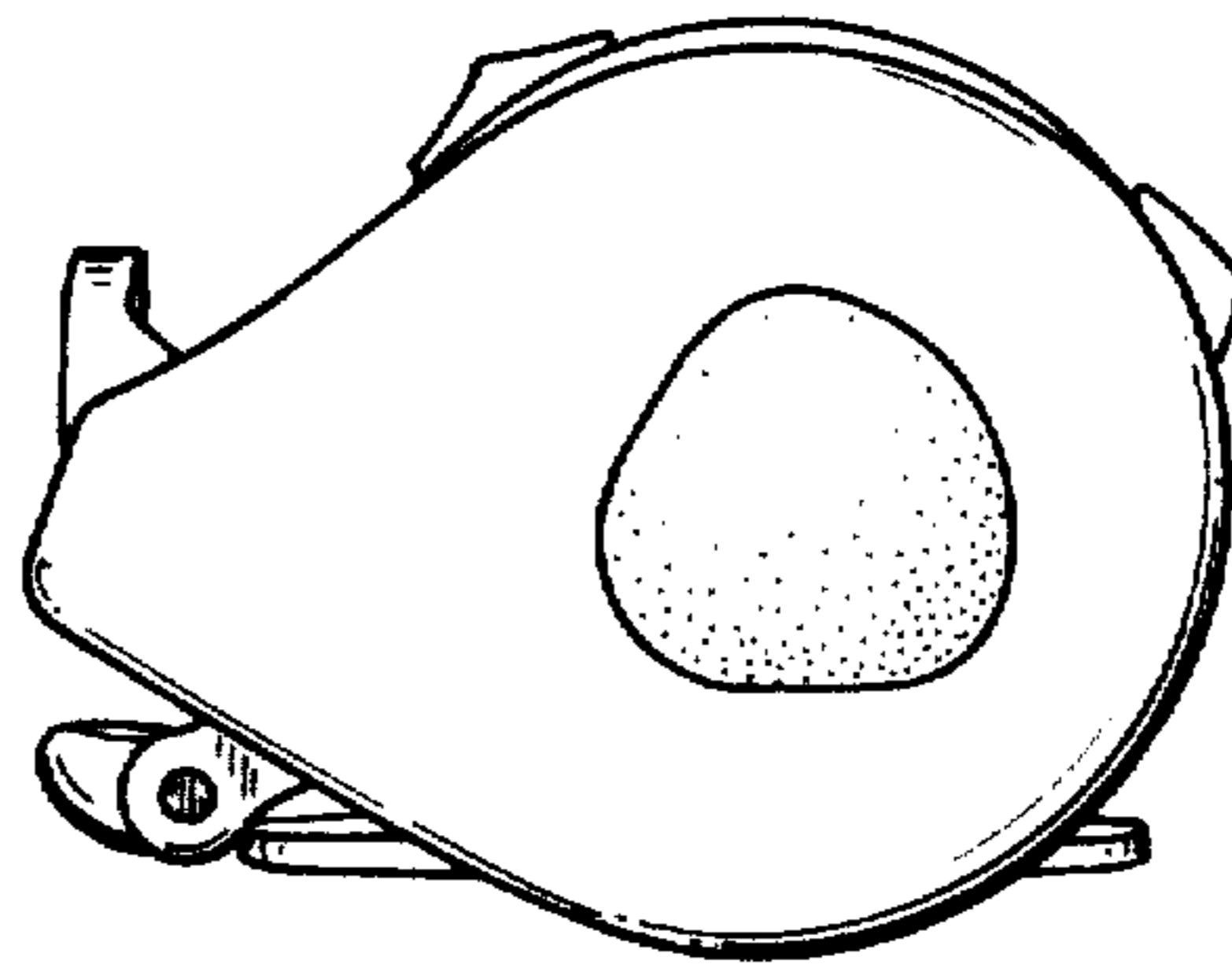


FIG. 6

