

[54] ROLLER SKATE

[75] Inventors: David A. Dominy, Cardiff; Lawrence M. Balma, Leucadia, both of Calif.

[73] Assignee: Tracker Designs, Ltd., Carlsbad, Calif.

[\*\*] Term: 14 Years

[21] Appl. No.: 159,299

[22] Filed: Jun. 13, 1980

[51] Int. Cl. .... D21-02

[52] U.S. Cl. .... D21/226

[58] Field of Search .... D21/224-226; 280/11.2, 11.19, 11.18, 619, 618; D2/311, 265

[56] References Cited

U.S. PATENT DOCUMENTS

131,234 9/1872 Todd ..... 280/619

D. 146,368	2/1947	McCaffrey	.....	D21/226
D. 258,605	3/1981	Sanders	.....	D21/226
1,437,376	11/1922	Young	.....	D2/311
4,043,241	8/1977	Liu	.....	D2/265
4,142,734	3/1979	Bentley	.....	280/619
4,212,479	7/1980	Yoshimoto	.....	280/11.19

FOREIGN PATENT DOCUMENTS

2356052 5/1975 Fed. Rep. of Germany ..... 280/618

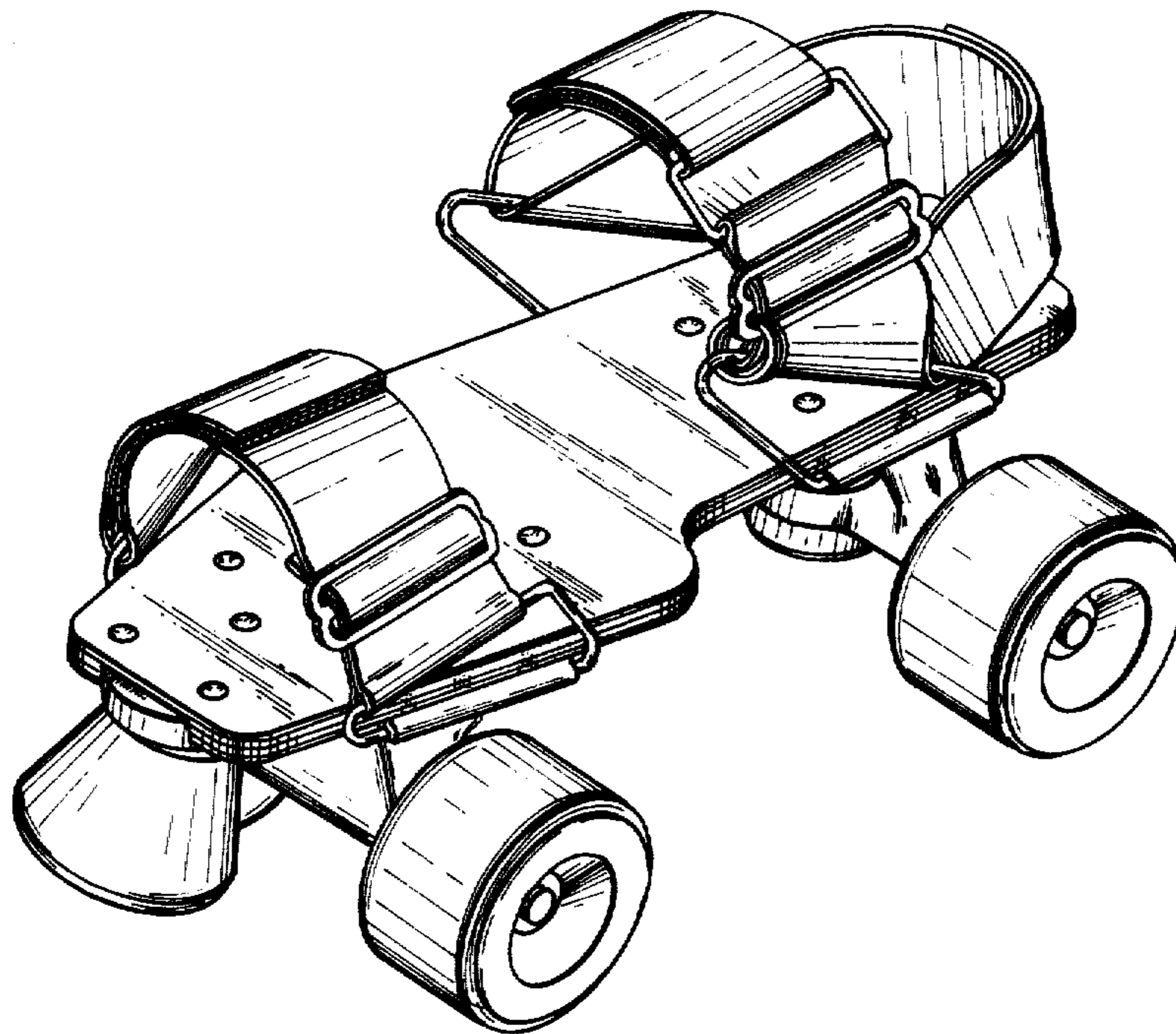
Primary Examiner—Charles A. Rademaker  
Attorney, Agent, or Firm—Duane C. Bowen

[57] CLAIM

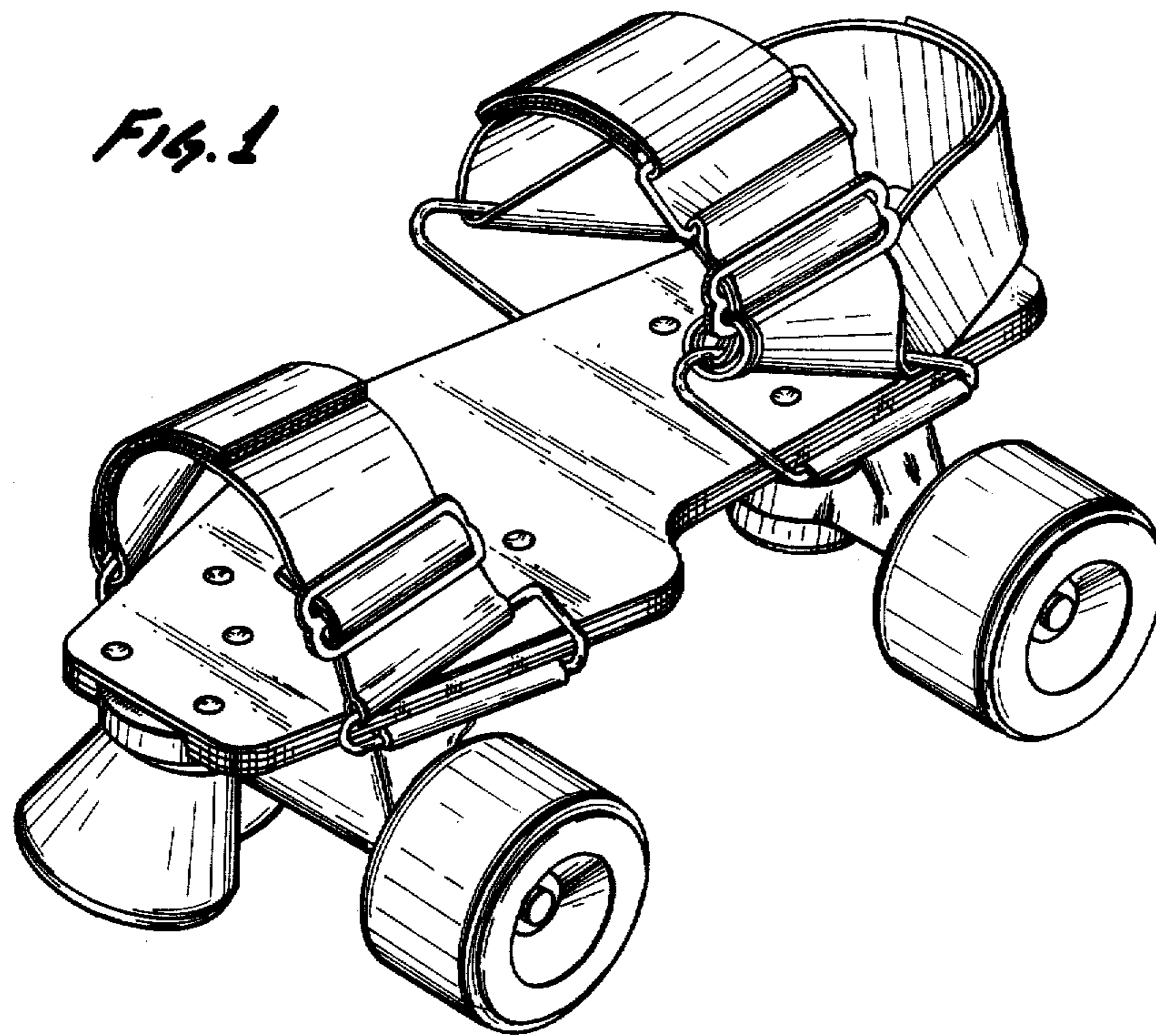
The ornamental design for a roller skate, as shown.

DESCRIPTION

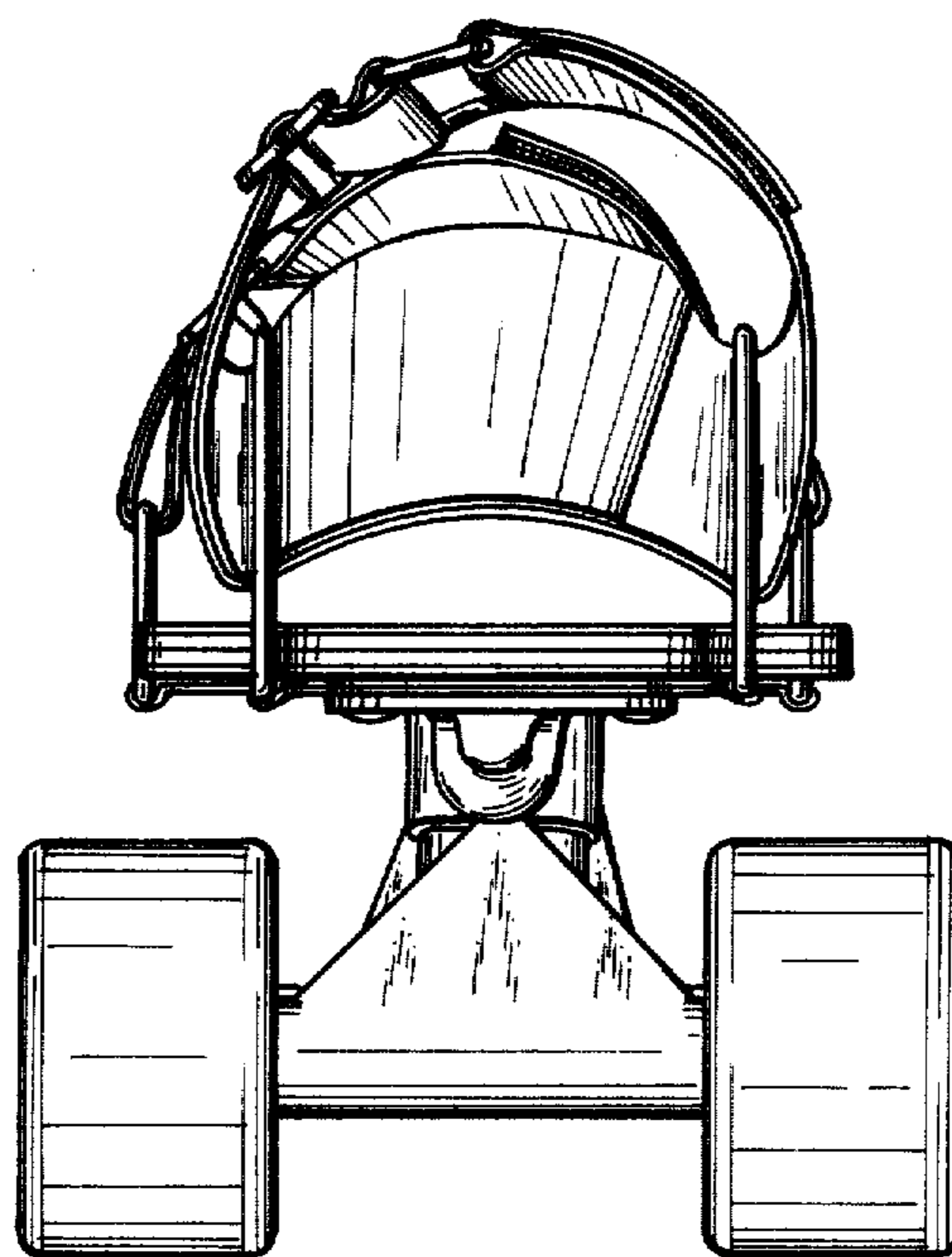
FIG. 1 is a front perspective view of a roller skate showing our new design; FIG. 2 is a left side elevational view thereof; FIG. 3 is a bottom plan view thereof; and, FIG. 4 is a rear elevational view thereof.

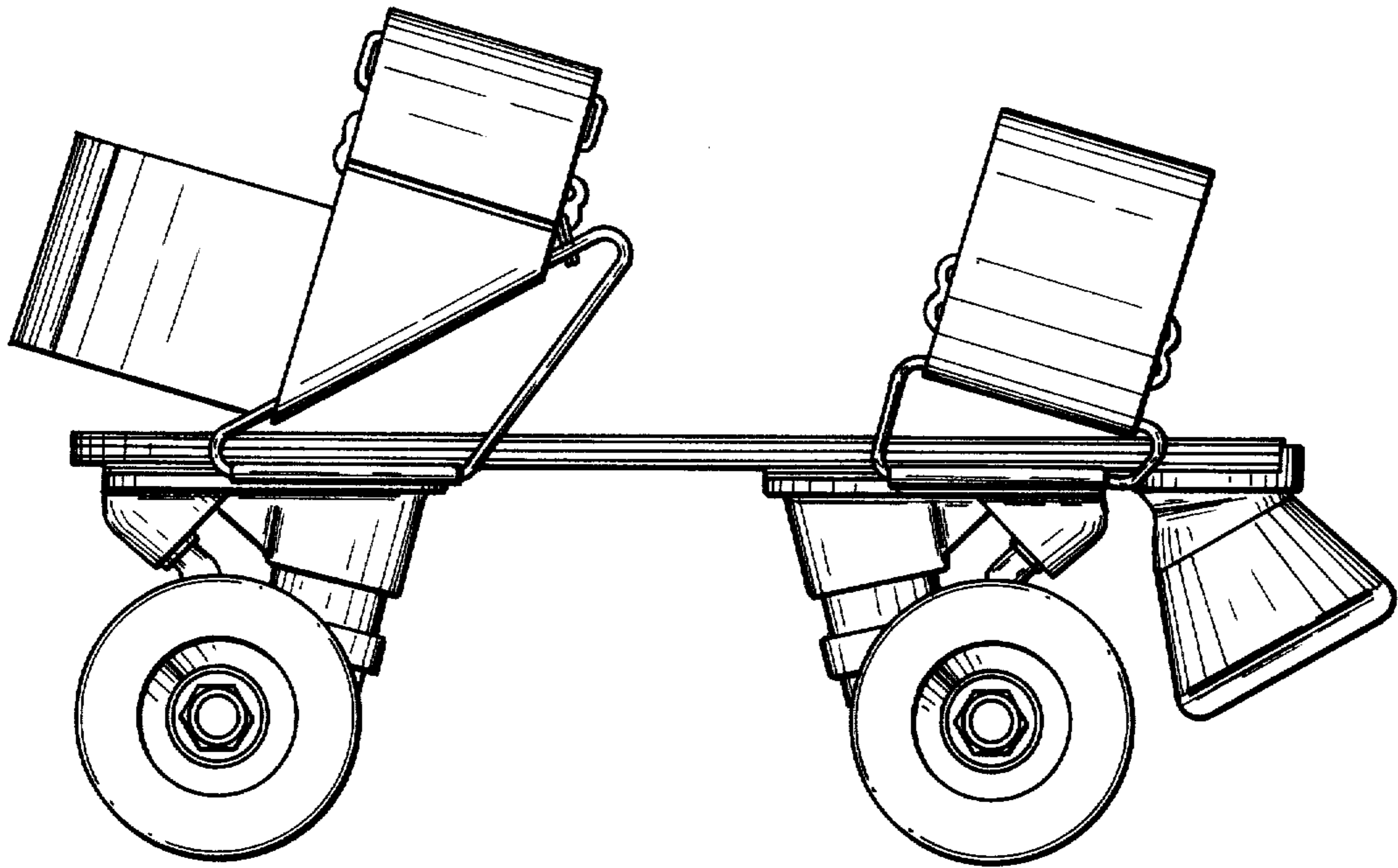


*Fig. 1*



*Fig. 4*





*Fig. 2*

*Fig. 3*

