

[54] **BALL TRANSFERRING GAME BOARD**

[76] **Inventor:** Masaharu Ohki, 13-17-208, Ichikawa
Minami 3-chome, Ichikawa-shi,
Chiba-ken, Japan

[**] **Term:** 14 Years

[21] **Appl. No.:** 156,170

[22] **Filed:** Jun. 3, 1980

[51] **Int. Cl.** D21-01

[52] **U.S. Cl.** D21/19; D21/20;
D21/59

[58] **Field of Search** D21/59, 7, 8, 17, 19,
D21/20, 14; 273/108-110; 46/43

[56] **References Cited**

U.S. PATENT DOCUMENTS

3,300,891	1/1967	Glass et al.	46/43
3,721,036	3/1973	Goldfarb	46/43
4,290,605	9/1981	Matsumoto	46/43

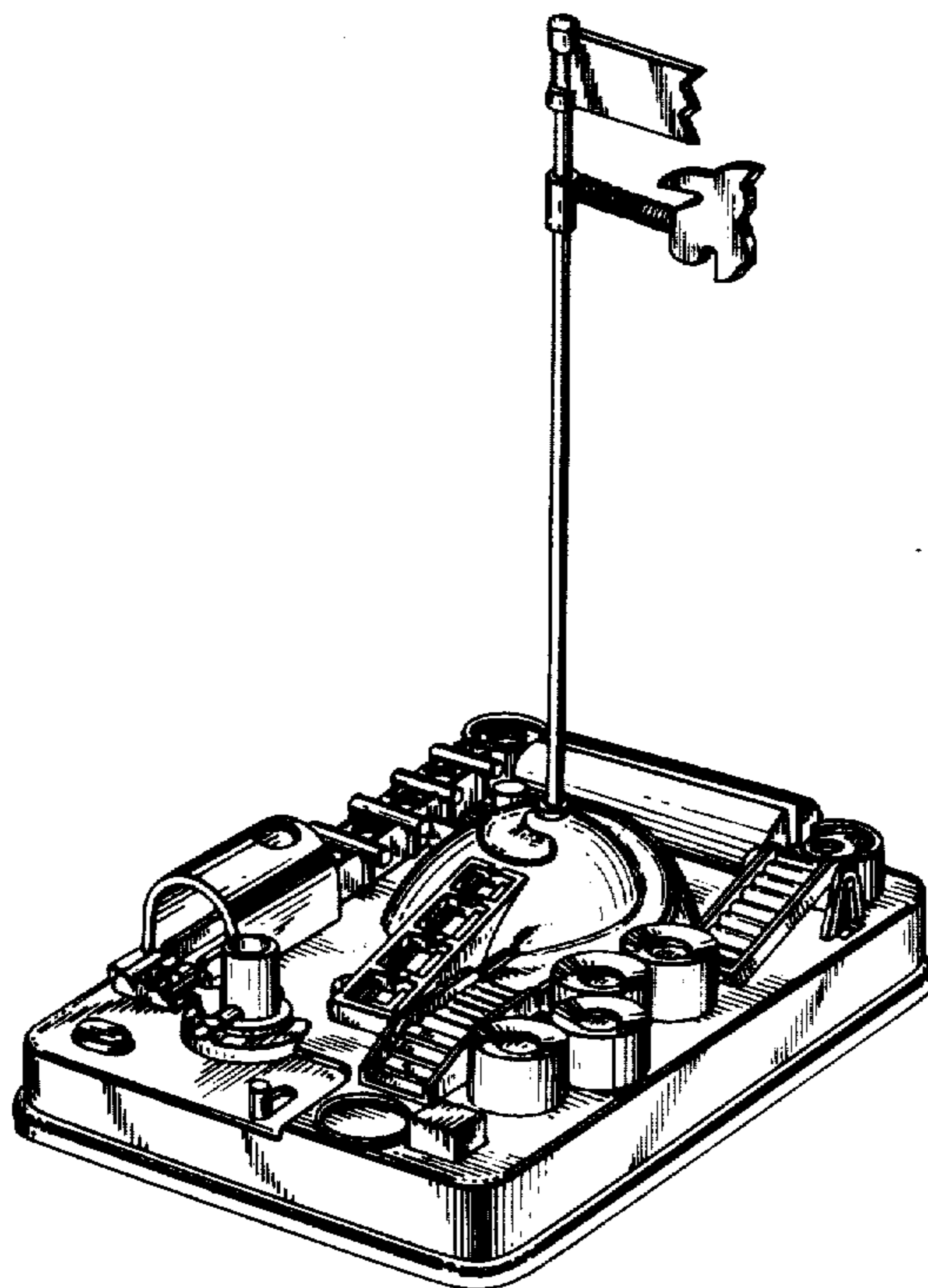
Primary Examiner—Melvin B. Feifer
Attorney, Agent, or Firm—Steinberg & Raskin

[57] **CLAIM**

The ornamental design for a ball transferring game board, as shown.

DESCRIPTION

FIG. 1 is a top perspective view of a ball transferring game board showing my new design;
FIG. 2 is a left side view thereof;
FIG. 3 is a top plan view;
FIG. 4 is a front view thereof;
FIG. 5 is a rear view;
FIG. 6 is a right side view; and
FIG. 7 is a bottom plan view.



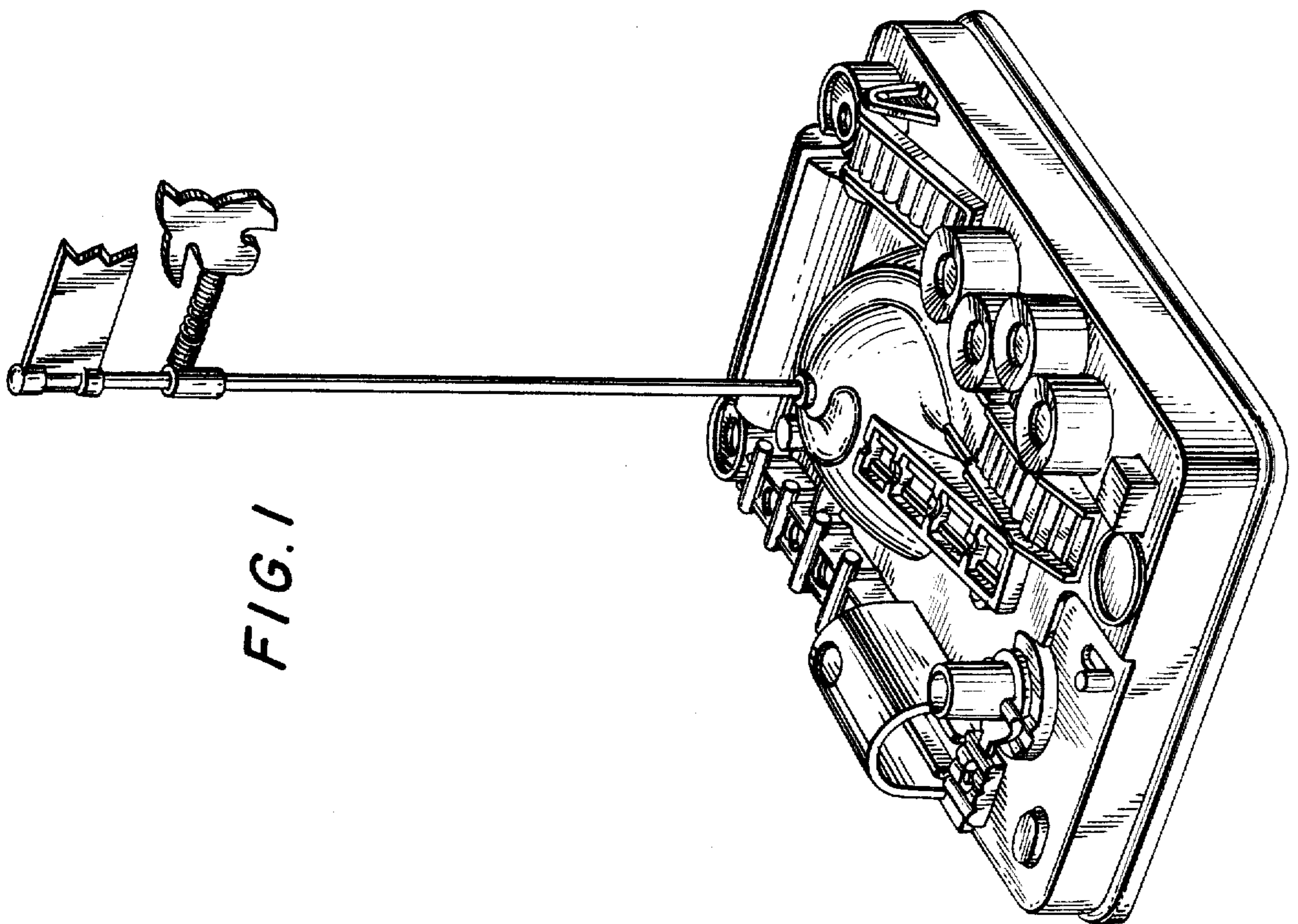


FIG. 1

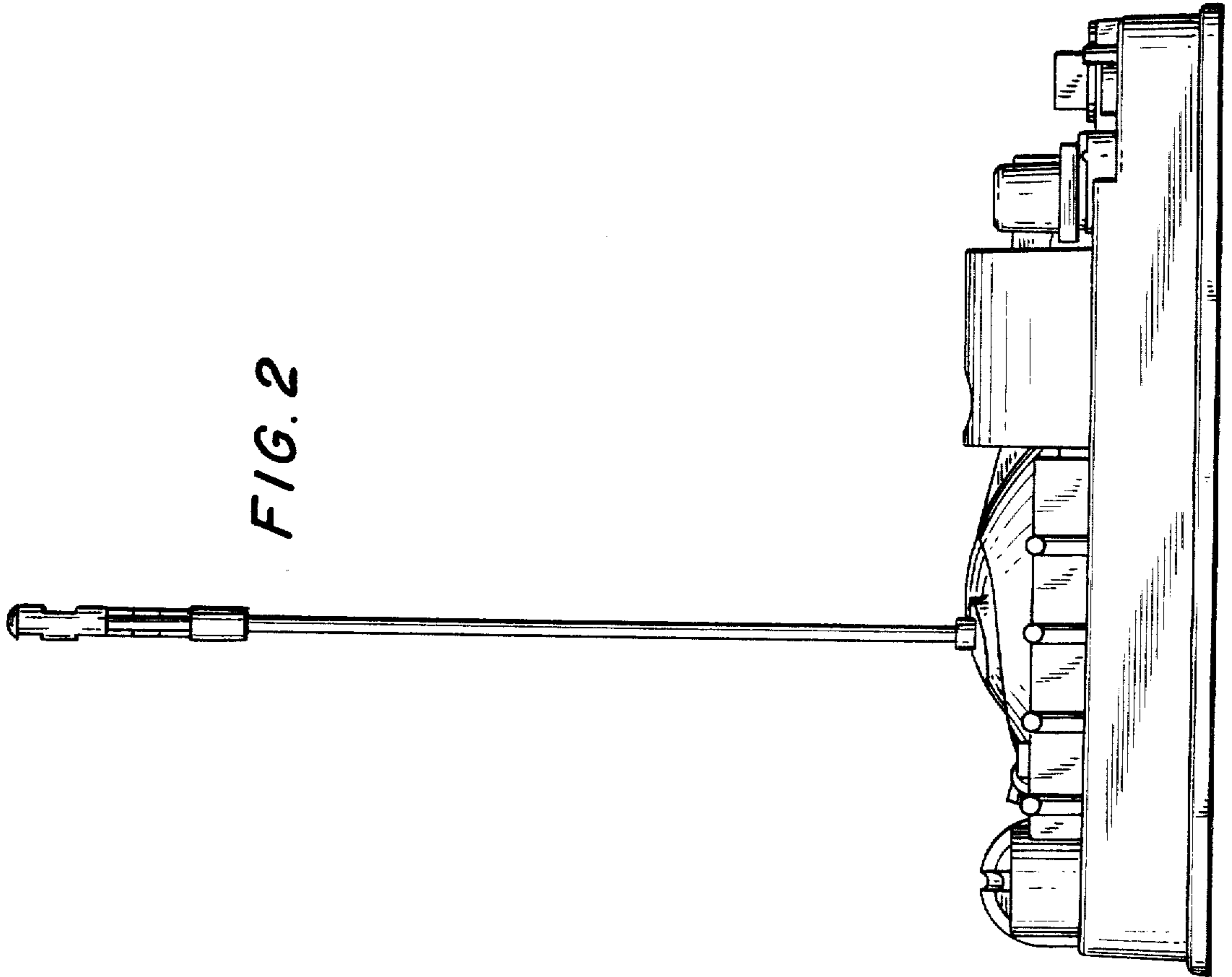


FIG. 2

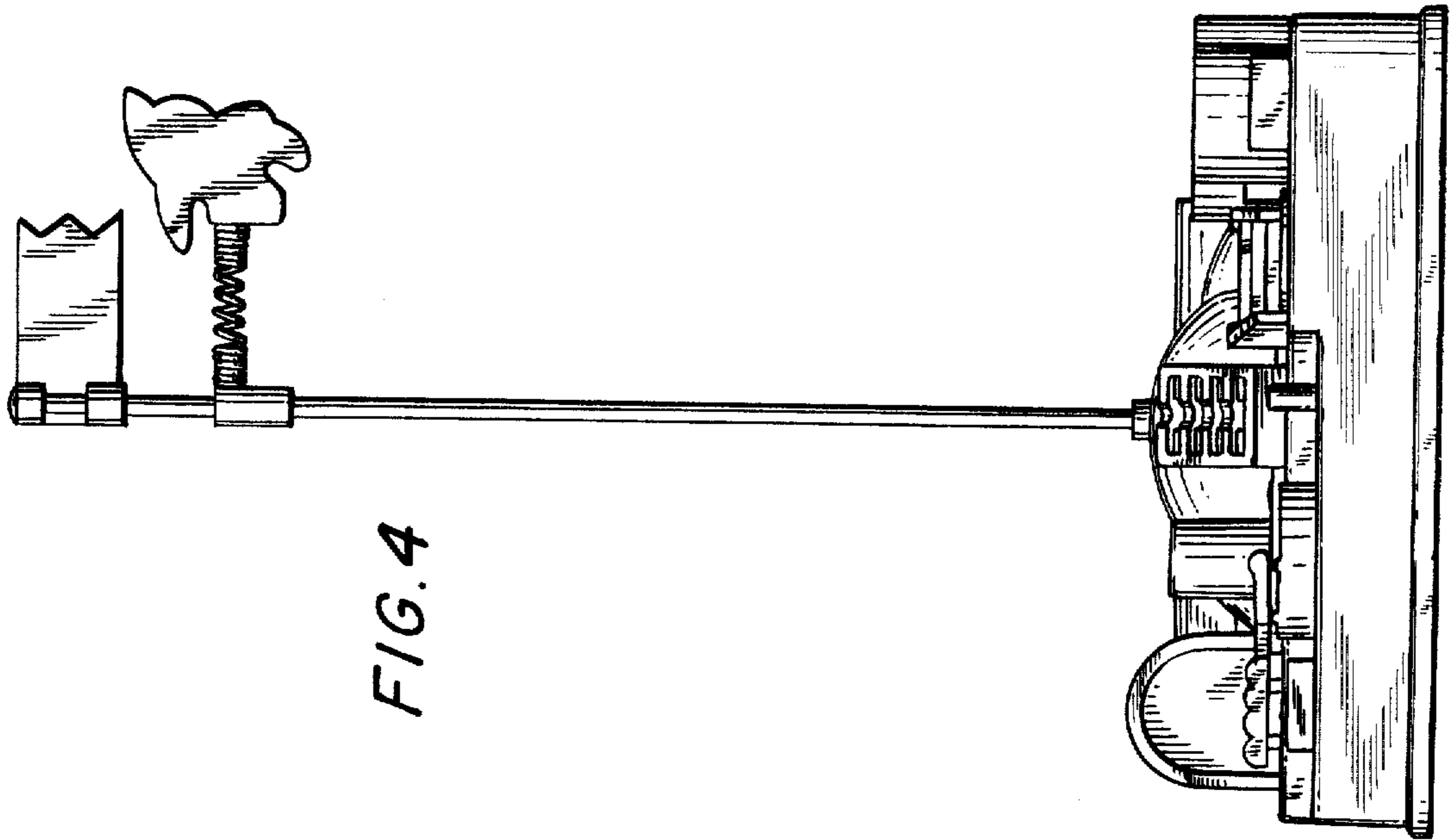


FIG. 4

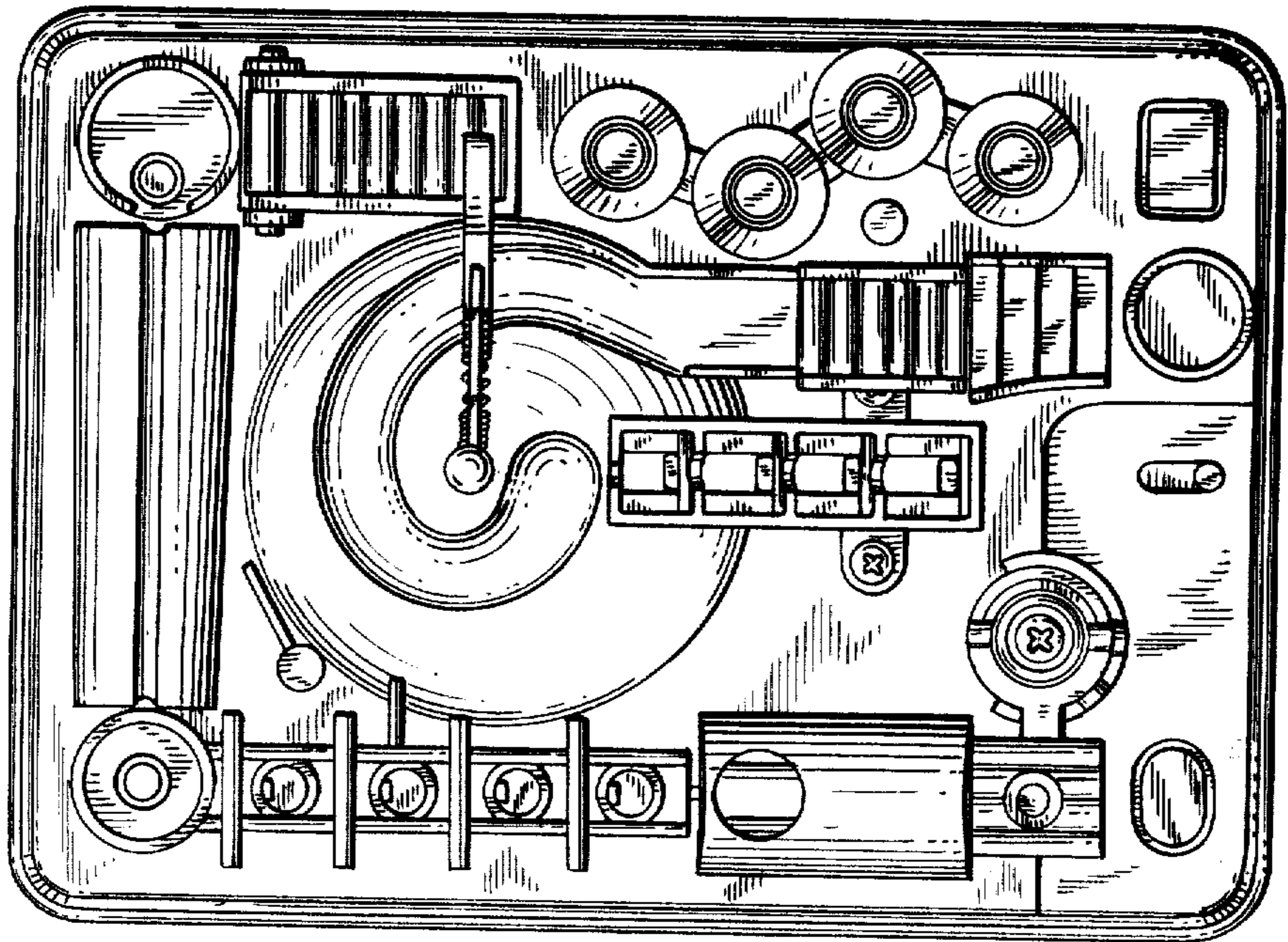


FIG. 3

