

[54] DISPLAY SIGN HOLDER

[75] Inventor: Richard M. Liptak, Parma Heights, Ohio

[73] Assignee: Integral Design, Inc., Cleveland, Ohio

[\*\*] Term: 14 Years

[21] Appl. No.: 137,587

[22] Filed: Apr. 7, 1980

[51] Int. Cl. .... D20-03; D6-07

[52] U.S. Cl. .... D20/10; D6/242; D6/244; D20/43

[58] Field of Search .... D6/242, 244; D20/10, D20/40, 42, 43; 40/10 R, 10 D, 16, 584, 611, 152, 124.1

[56]

References Cited

U.S. PATENT DOCUMENTS

1,065,414	6/1913	Wiesner	40/16
1,219,909	3/1917	Brockway	40/10 R
2,272,479	2/1942	Prew	40/152
2,449,727	9/1948	Sloane	40/16
2,507,578	5/1950	Schilperoort	40/611

Primary Examiner—Catherine E. Kemper  
Attorney, Agent, or Firm—Pearne, Gordon, Sessions, McCoy & Granger

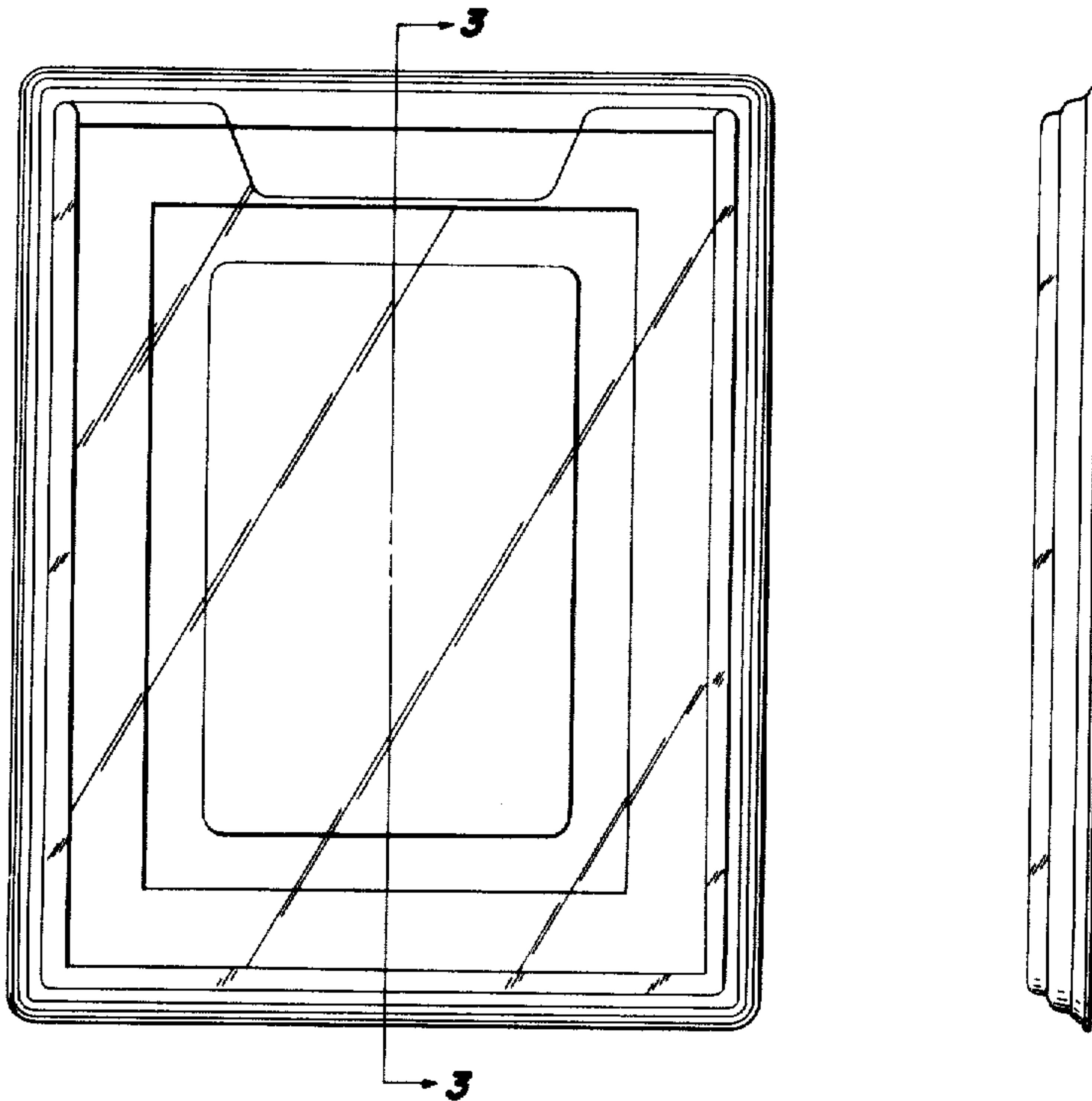
[57]

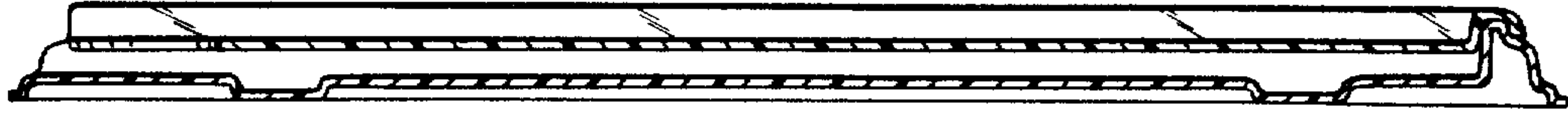
CLAIM

The ornamental design for a display sign holder, as shown and described.

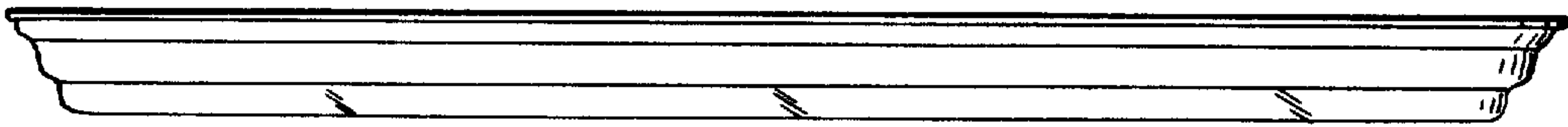
DESCRIPTION

FIG. 1 is a front elevational view of a display sign holder, showing my new design;  
FIG. 2 is a side elevational view thereof;  
FIG. 3 is a sectional view thereof, taken along line 3—3 of FIG. 1.

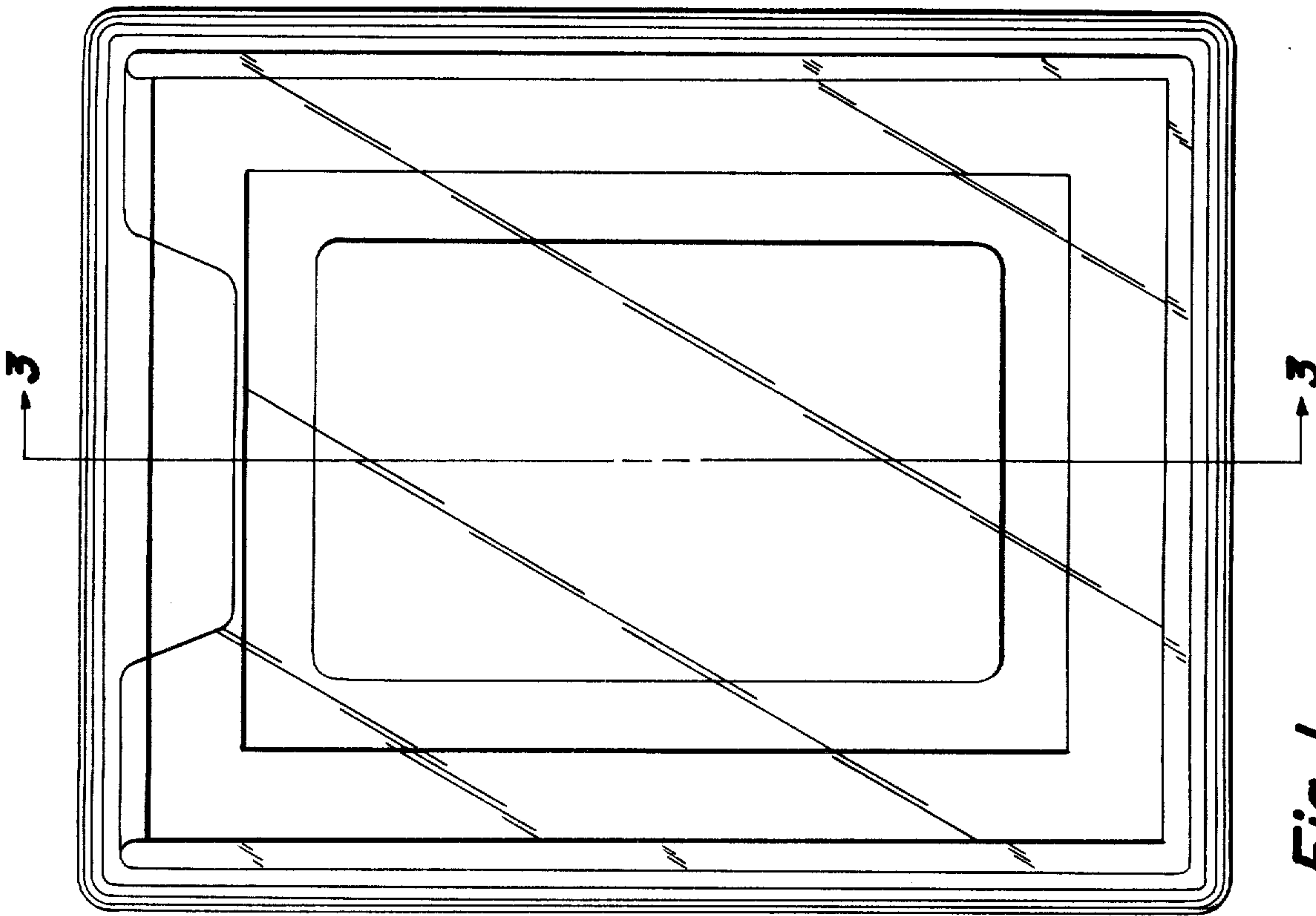




*Fig. 3*



*Fig. 2*



*Fig. 1*