

[54] TELESCOPE
 [75] Inventor: Peter W. Bressler, Philadelphia, Pa.
 [73] Assignee: Edmund Scientific Company, Barrington, N.J.
 [**] Term: 14 Years
 [21] Appl. No.: 137,762
 [22] Filed: Apr. 7, 1980

D. 253,238 10/1979 Drauglis et al. D16/132
 D. 253,598 12/1979 Bressler D16/132

OTHER PUBLICATIONS

Edmund Scientific Cat., Fall/Christmas-1978, p. 8, Edmund 6 inch, F/6 Telescope w/fork mount.

Primary Examiner—Bernard Ansher
 Attorney, Agent, or Firm—Howson and Howson

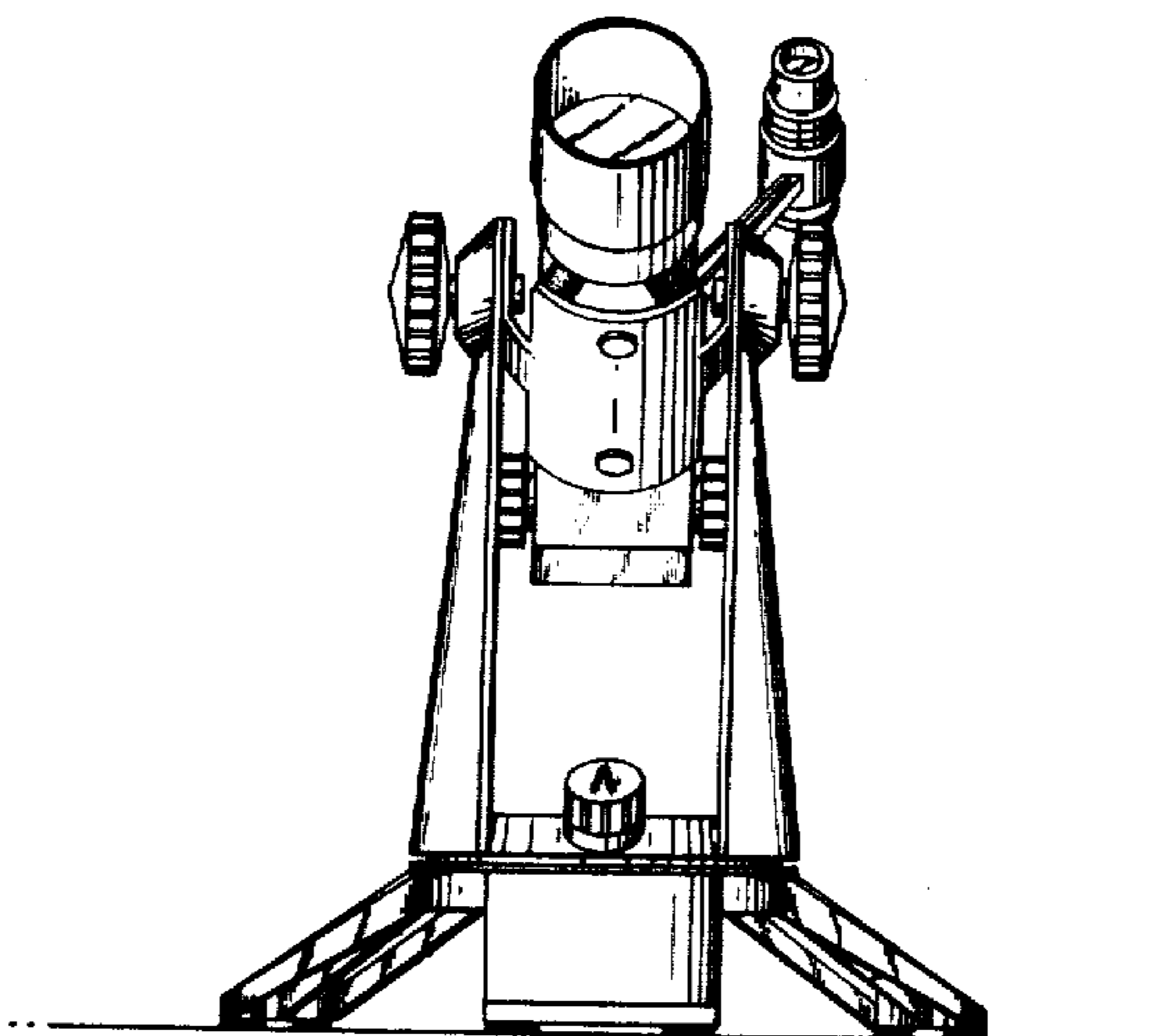
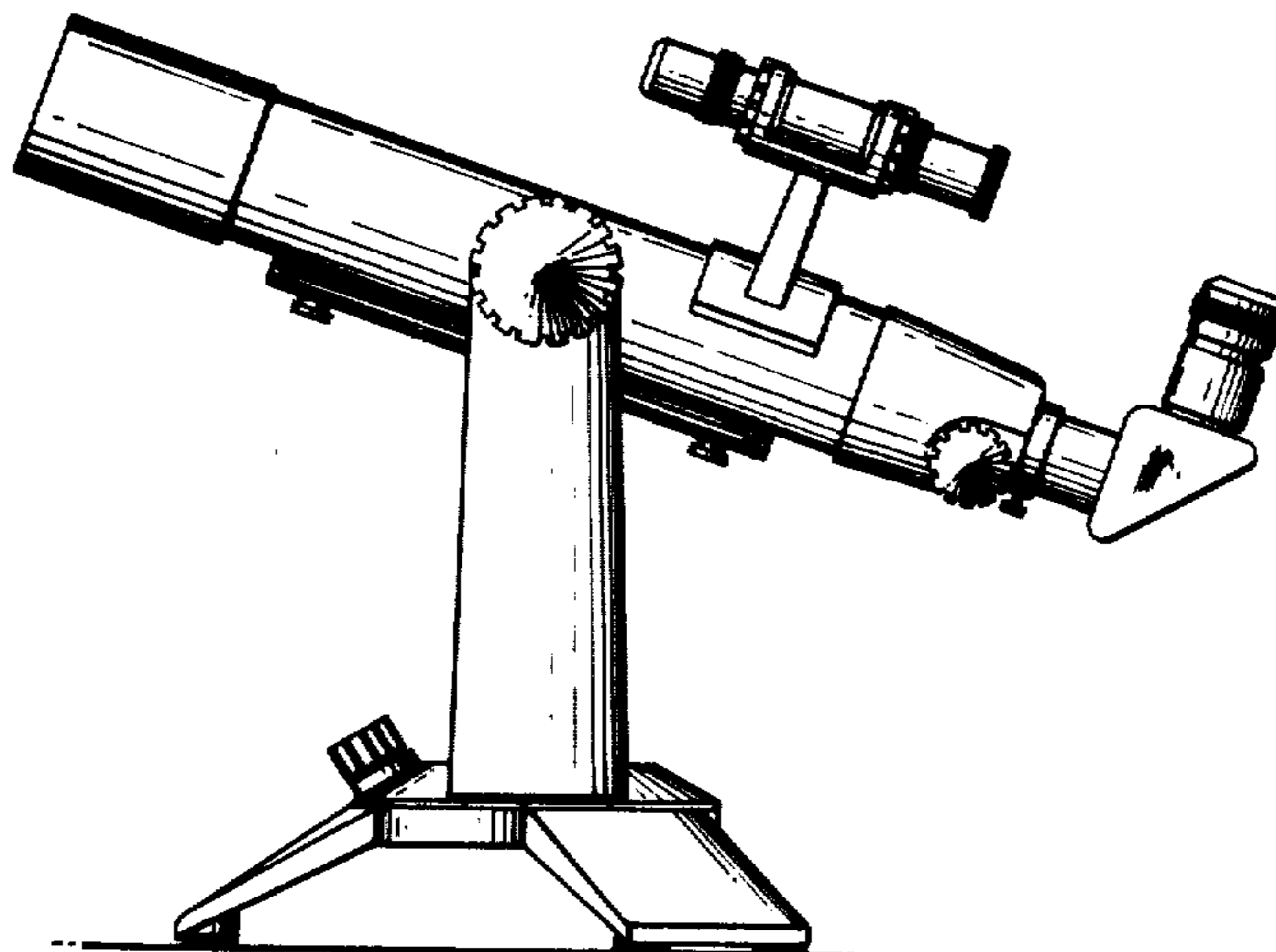
[51] Int. Cl. D16-06
 [52] U.S. Cl. D16/132
 [58] Field of Search D16/132; 350/78, 79, 350/85, 82, 383

[57] CLAIM
 The ornamental design for a telescope, as shown and described.

DESCRIPTION

FIG. 1 is a left side elevation of a telescope showing my new design;
 FIG. 2 is a bottom plan view thereof;
 FIG. 3 is a right side elevation thereof;
 FIG. 4 is a top plan view thereof;
 FIG. 5 is a front elevation thereof; and
 FIG. 6 is a rear elevation thereof.

[56] References Cited
 U.S. PATENT DOCUMENTS
 D. 24,785 5/1978 Simmons D16/132
 D. 199,371 10/1964 Kraus D16/132
 D. 253,113 10/1979 Bressler D16/132



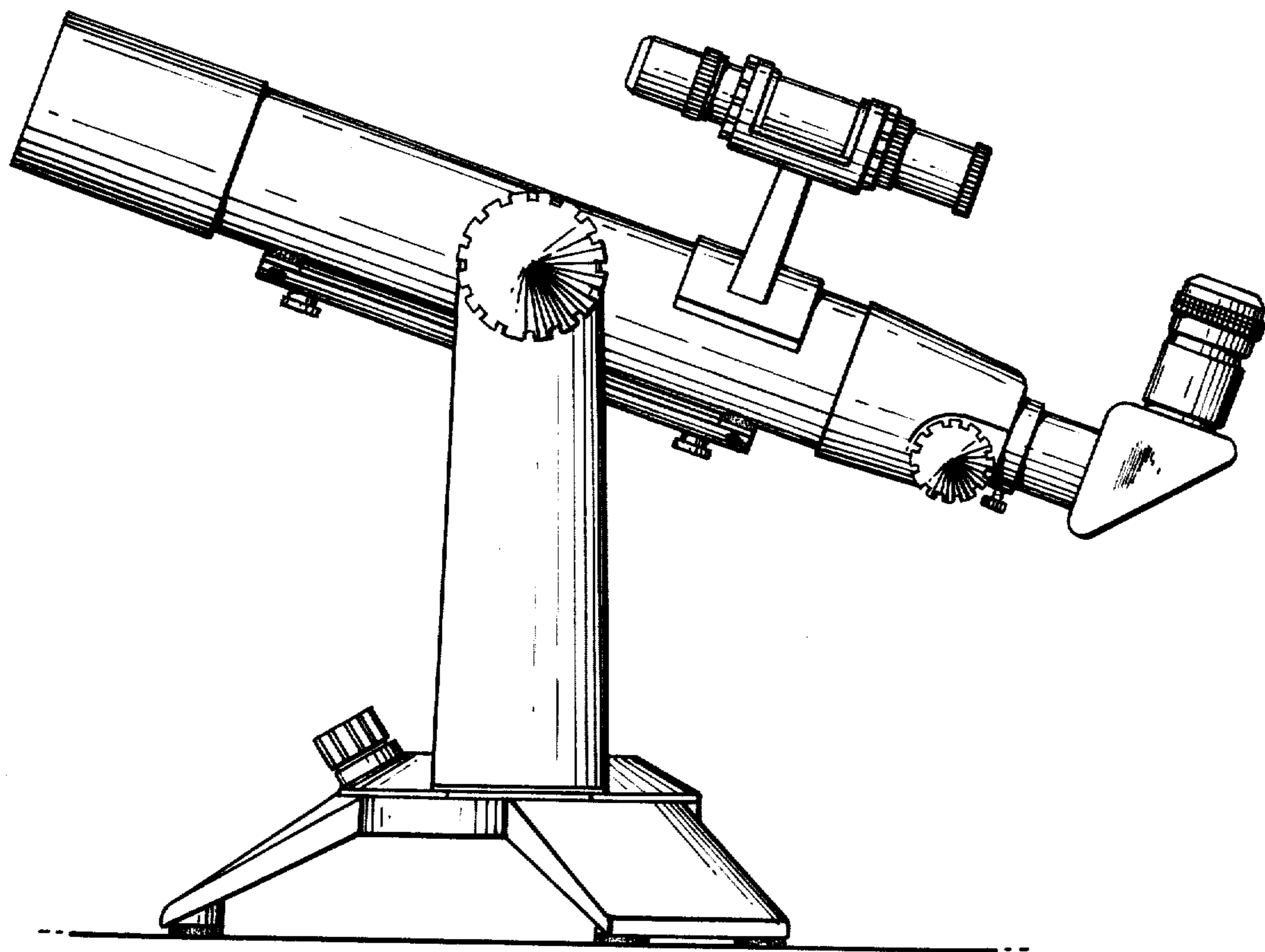


FIG. 1.

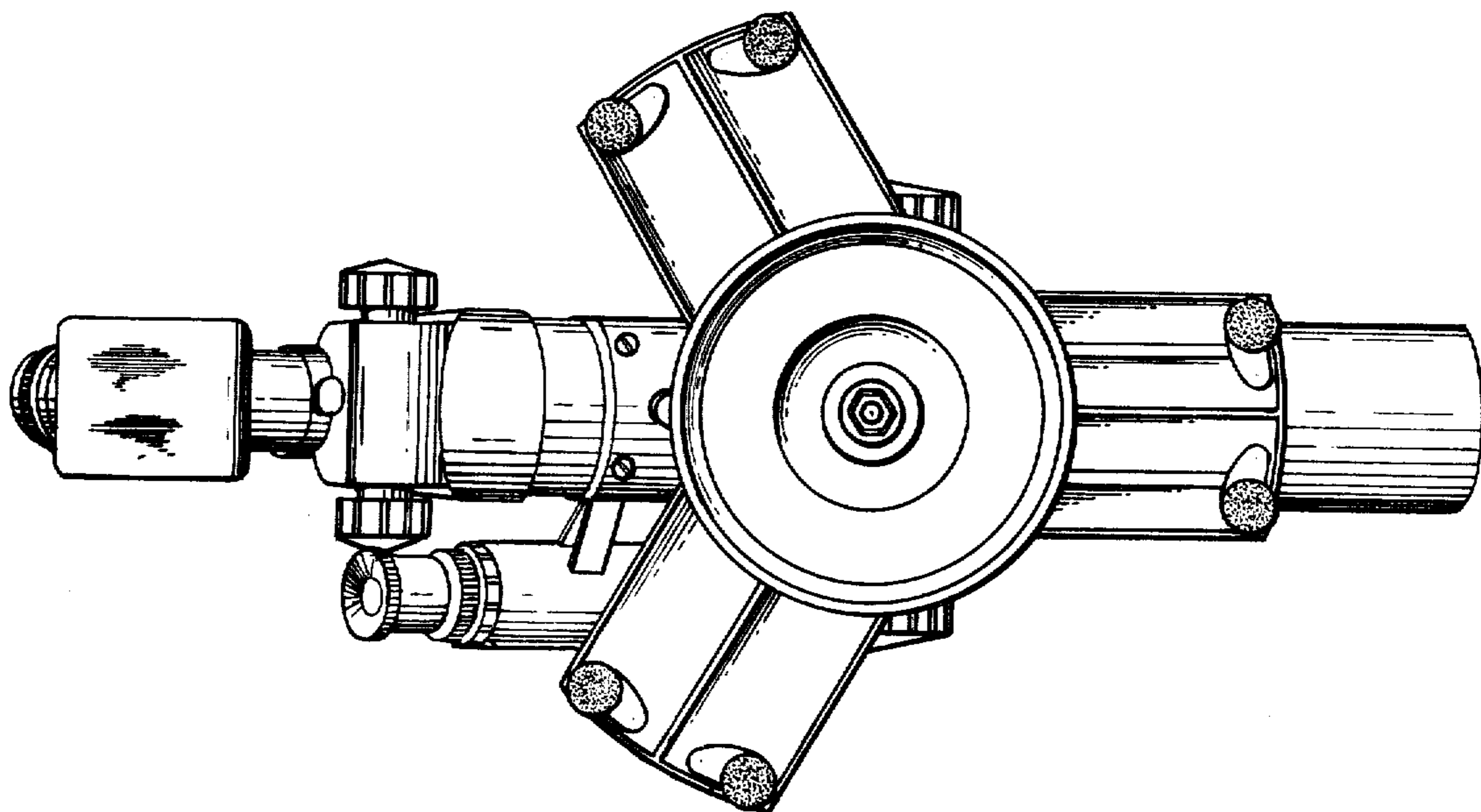


FIG. 2.

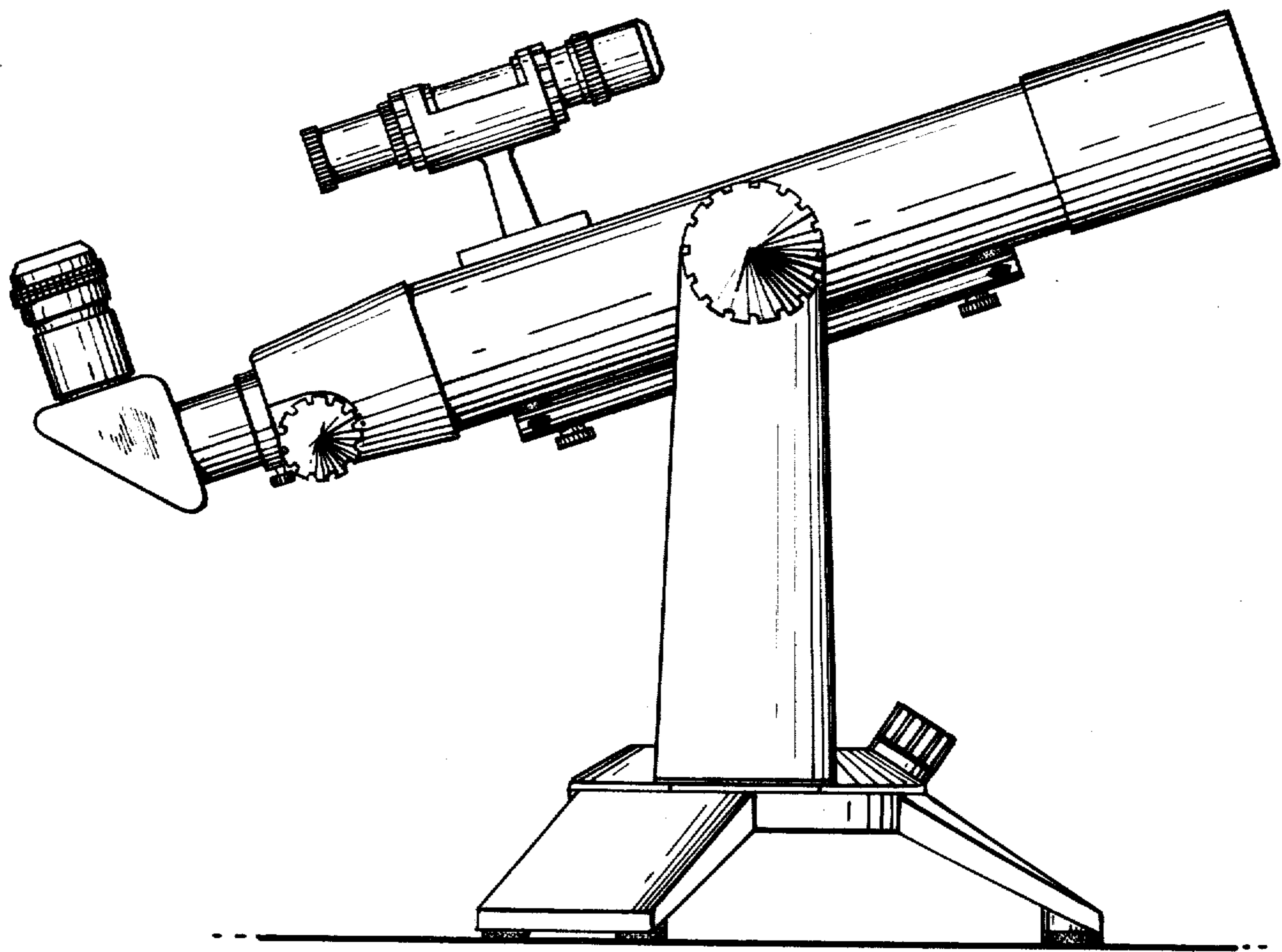


FIG. 3.

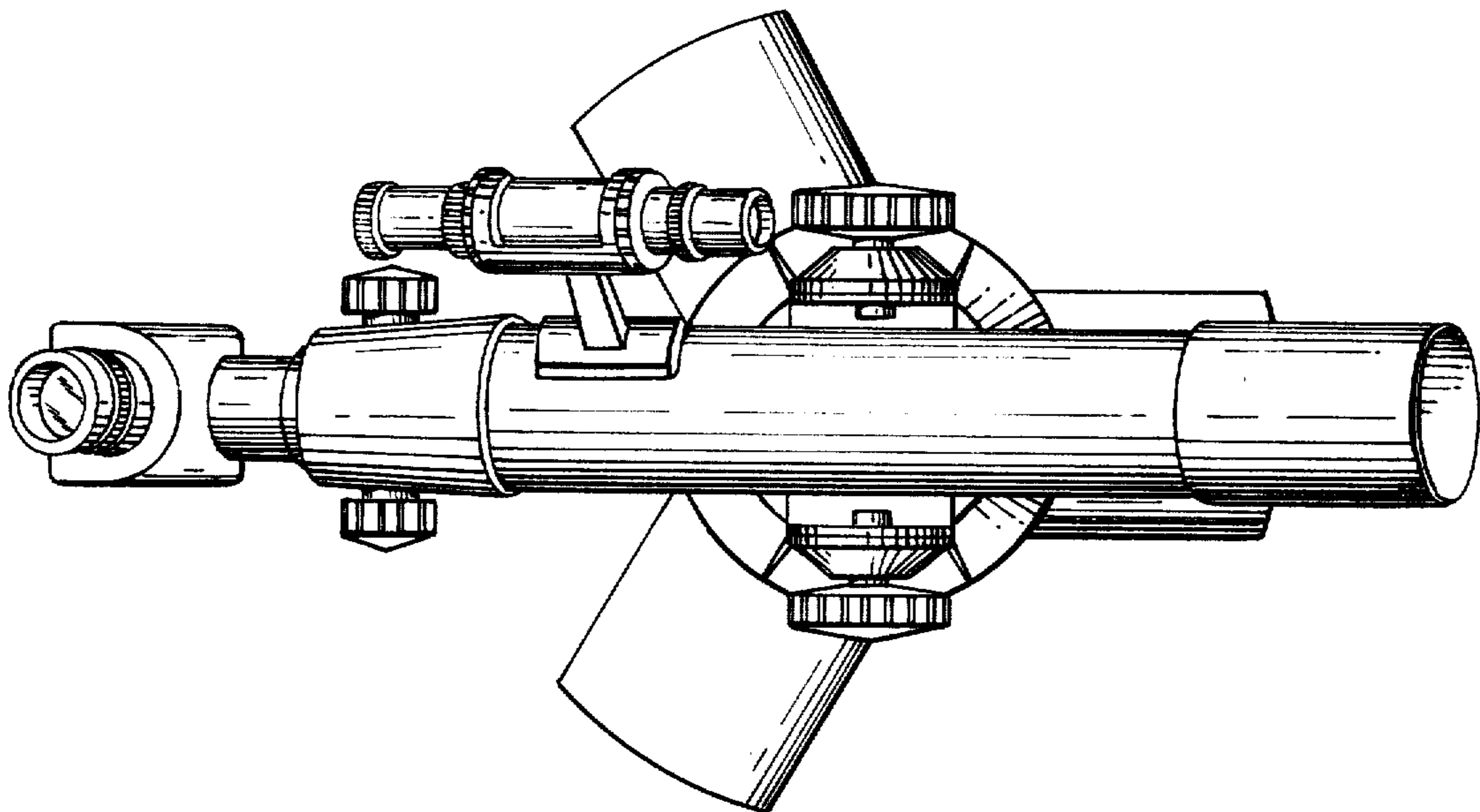


FIG. 4.

