

[54] TRIPOD HEAD

[75] Inventor: Osamu Iwasaki, Tokorozawa, Japan

[73] Assignee: Slik Tripod Co., Ltd., Saitama, Japan

[**] Term: 7 Years

[21] Appl. No.: 170,128

[22] Filed: Jul. 18, 1980

[30] Foreign Application Priority Data

May 22, 1980 [JP] Japan 55-19865

[51] Int. Cl. D16-05

[52] U.S. Cl. D16/46

[58] Field of Search D16/44, 45, 46 R;
354/81-82, 293; 248/176, 177, 179, 183

[56] References Cited

U.S. PATENT DOCUMENTS

D. 152,247 1/1949 Flesch D16/46

D. 155,279 9/1949 Flesch D16/46
D. 257,260 10/1980 Shiraishi D16/45
D. 257,261 10/1980 Shinohara D16/45
D. 258,661 3/1981 Shiraishi D16/45

FOREIGN PATENT DOCUMENTS

1114322 12/1955 France 248/183

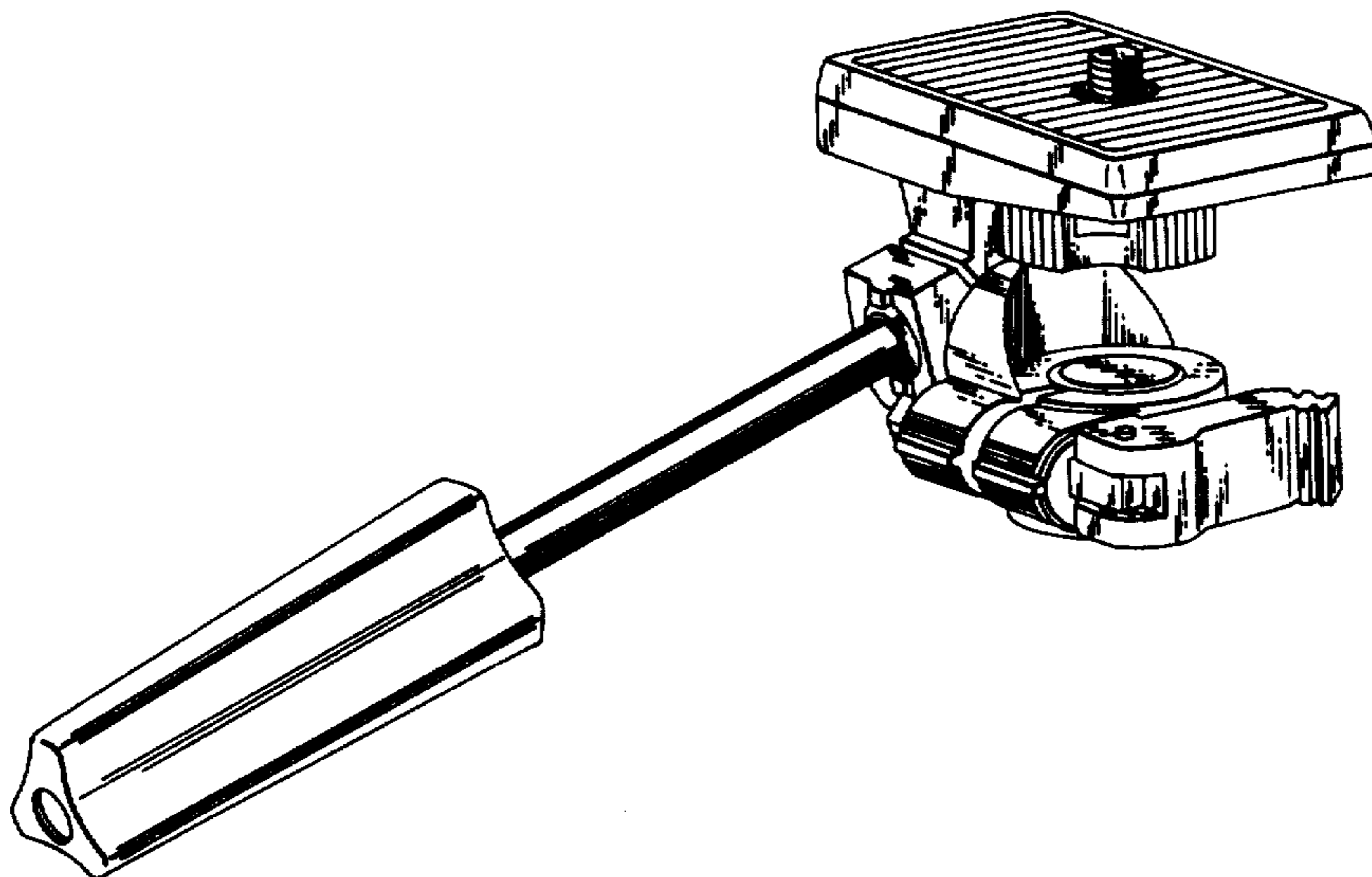
Primary Examiner—Nelson C. Holtje
Attorney, Agent, or Firm—Frishauf, Holtz, Goodman & Woodward

[57] CLAIM

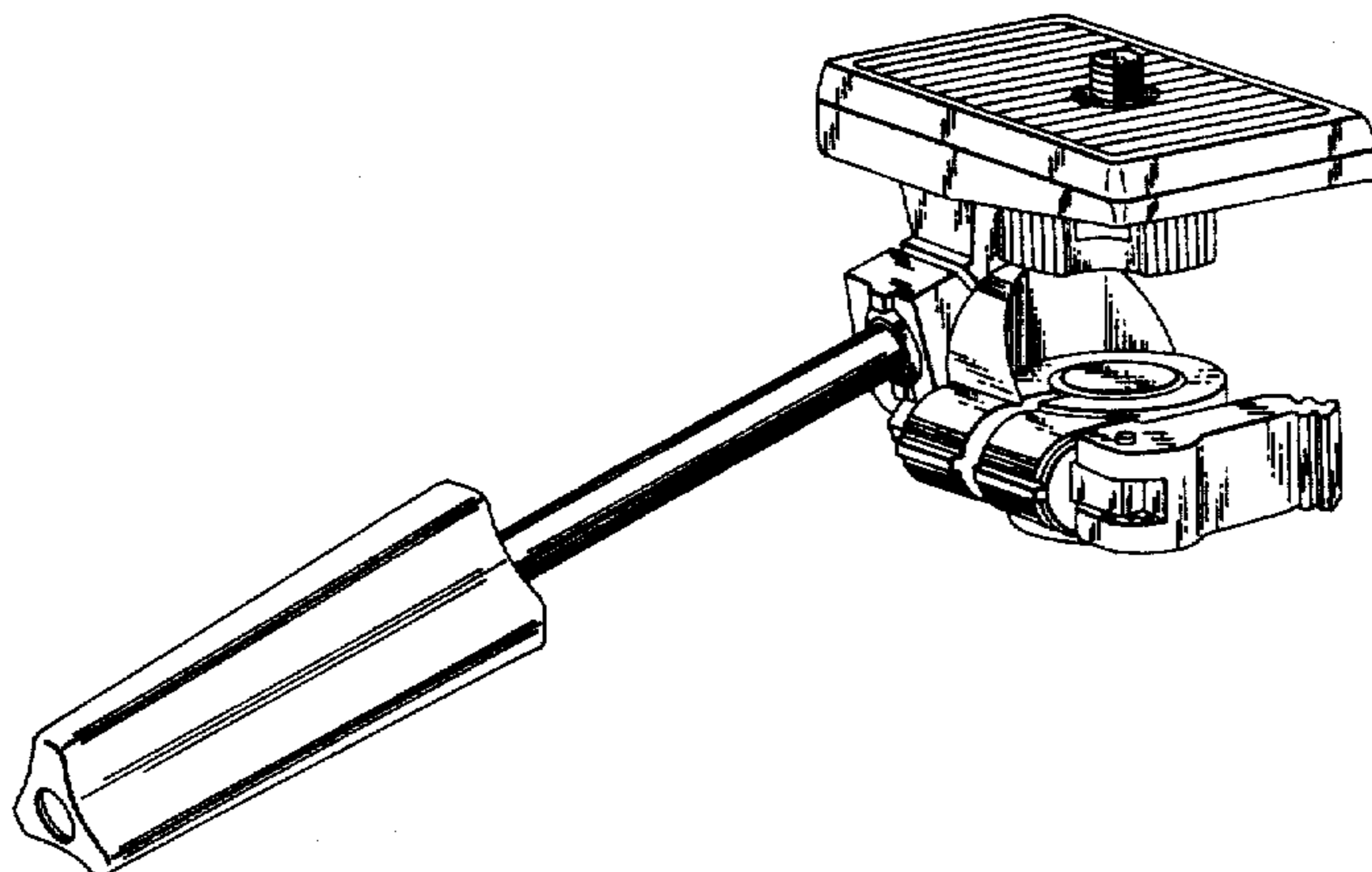
The ornamental design for a tripod head, substantially as shown.

DESCRIPTION

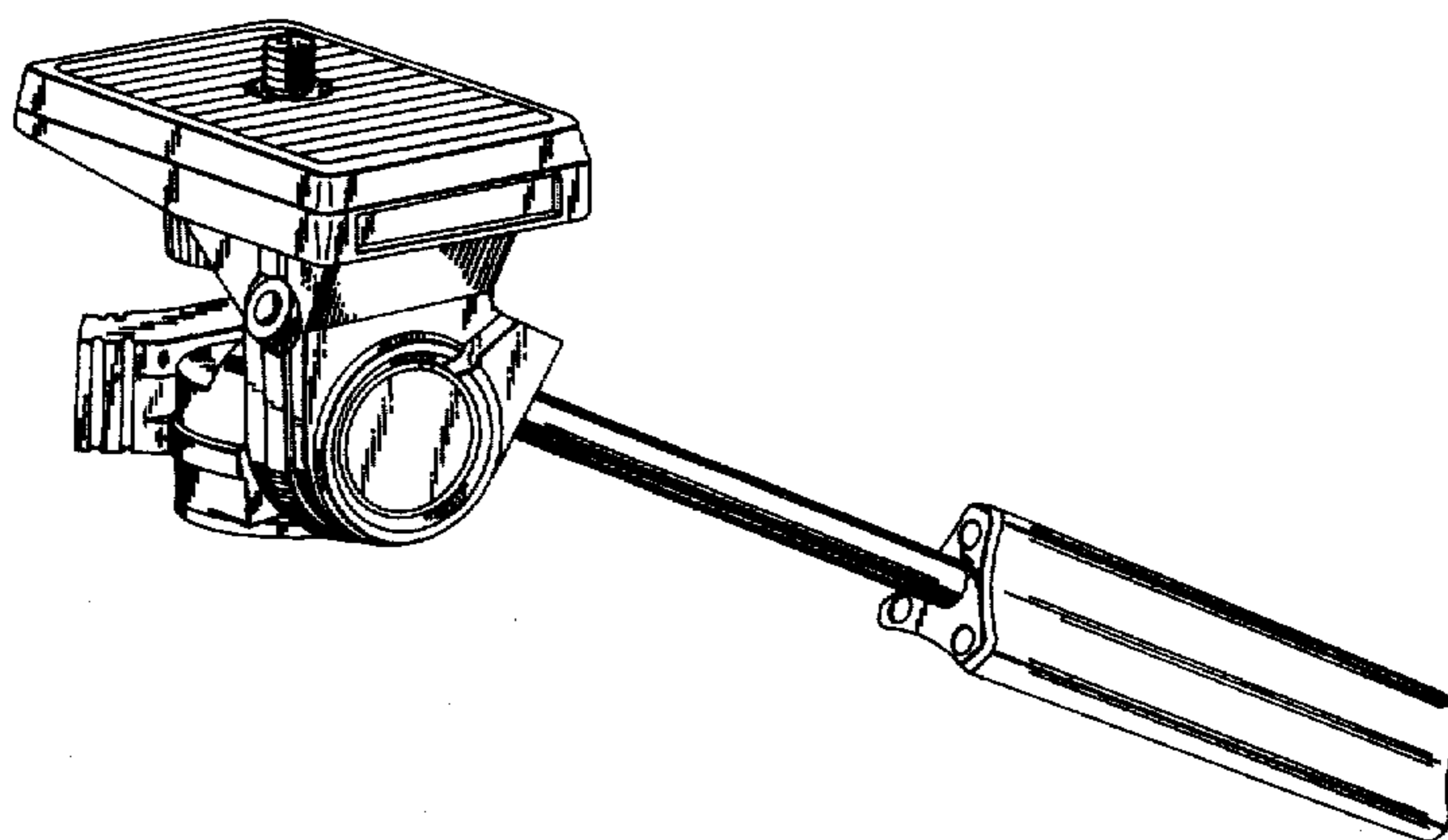
FIG. 1 is a rear perspective view of a tripod head showing my new design;
FIG. 2 is a front perspective view thereof;
FIG. 3 is a top plan view thereof; and
FIG. 4 is a bottom plan view thereof.



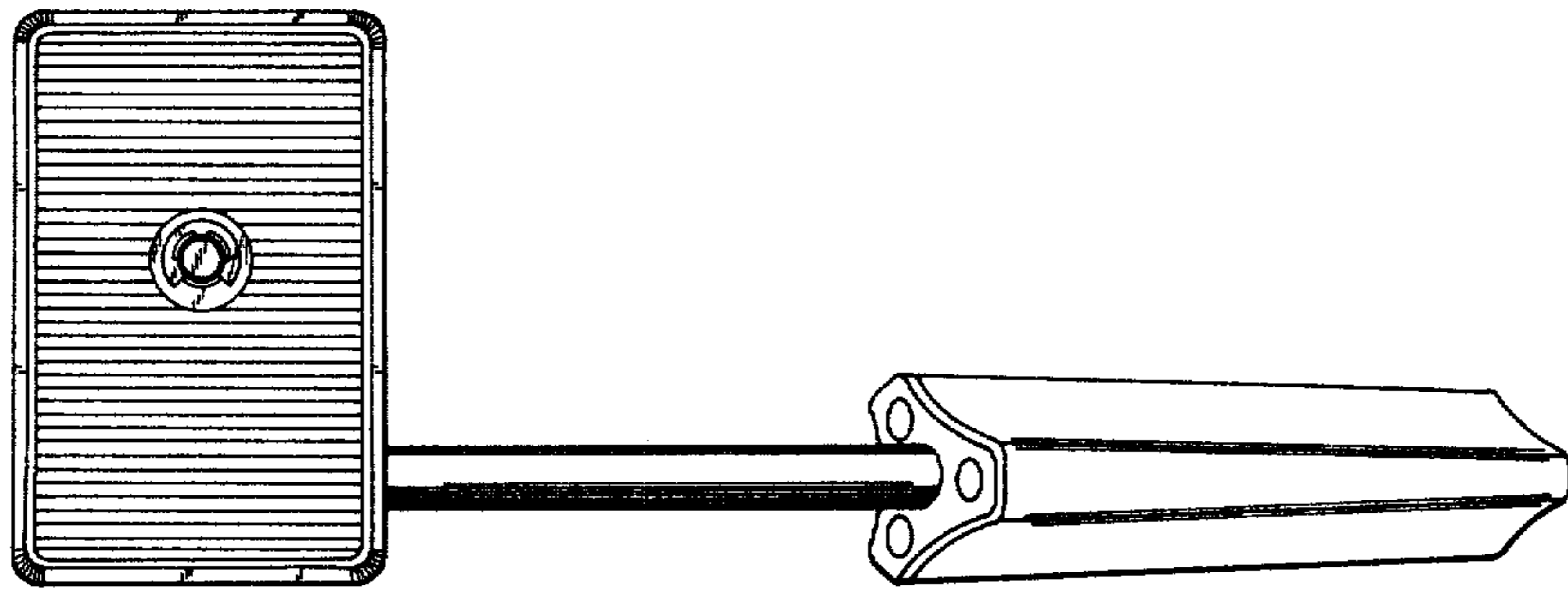
F I G. 1



F I G. 2



F I G. 3



F I G. 4

