

- [54] **COMBINED BINOCULAR AND DETACHABLE CAMERA**
- [75] Inventor: **Shogo Yamazaki, Tokyo, Japan**
- [73] Assignee: **Ajia Amerikan Boueki Kabushiki Kaisha, Tokyo, Japan**
- [**] Term: **14 Years**
- [21] Appl. No.: **41,951**
- [22] Filed: **May 23, 1979**
- [51] Int. Cl. **D16-01**
- [52] U.S. Cl. **D16/6; D16/133**
- [58] Field of Search **354/75, 76, 79, 81, 354/82; D16/2, 6, 59, 63, 133; D14/72, 95; 325/111, 16**

- [56] **References Cited**
- U.S. PATENT DOCUMENTS**
- D. 206,462 12/1966 Petrussek D14/72
- D. 240,458 7/1976 Takahashi et al. D16/63
- D. 252,996 9/1979 Wooley D16/6

- 3,277,303 10/1966 Jensen et al. 325/16 X
- 3,761,815 9/1973 Bower 325/111 X

OTHER PUBLICATIONS

Modern Photography, Oct. 1971, p. 81, Ricoh Teleca 240 Binocular Camera.

Primary Examiner—Bernard Ansher
Attorney, Agent, or Firm—James C. Wray

[57] **CLAIM**

The ornamental design for a combined binocular and detachable camera, as shown.

DESCRIPTION

FIG. 1 is a front elevation of a combined binocular and detachable camera, showing my new design;
 FIG. 2 is a top plan view thereof;
 FIG. 3 is a rear elevation thereof;
 FIG. 4 is a bottom plan view thereof;
 FIG. 5 is a side elevation thereof;
 FIG. 6 is an elevation as seen from the opposite side of FIG. 5; and
 FIG. 7 is a top perspective view thereof.

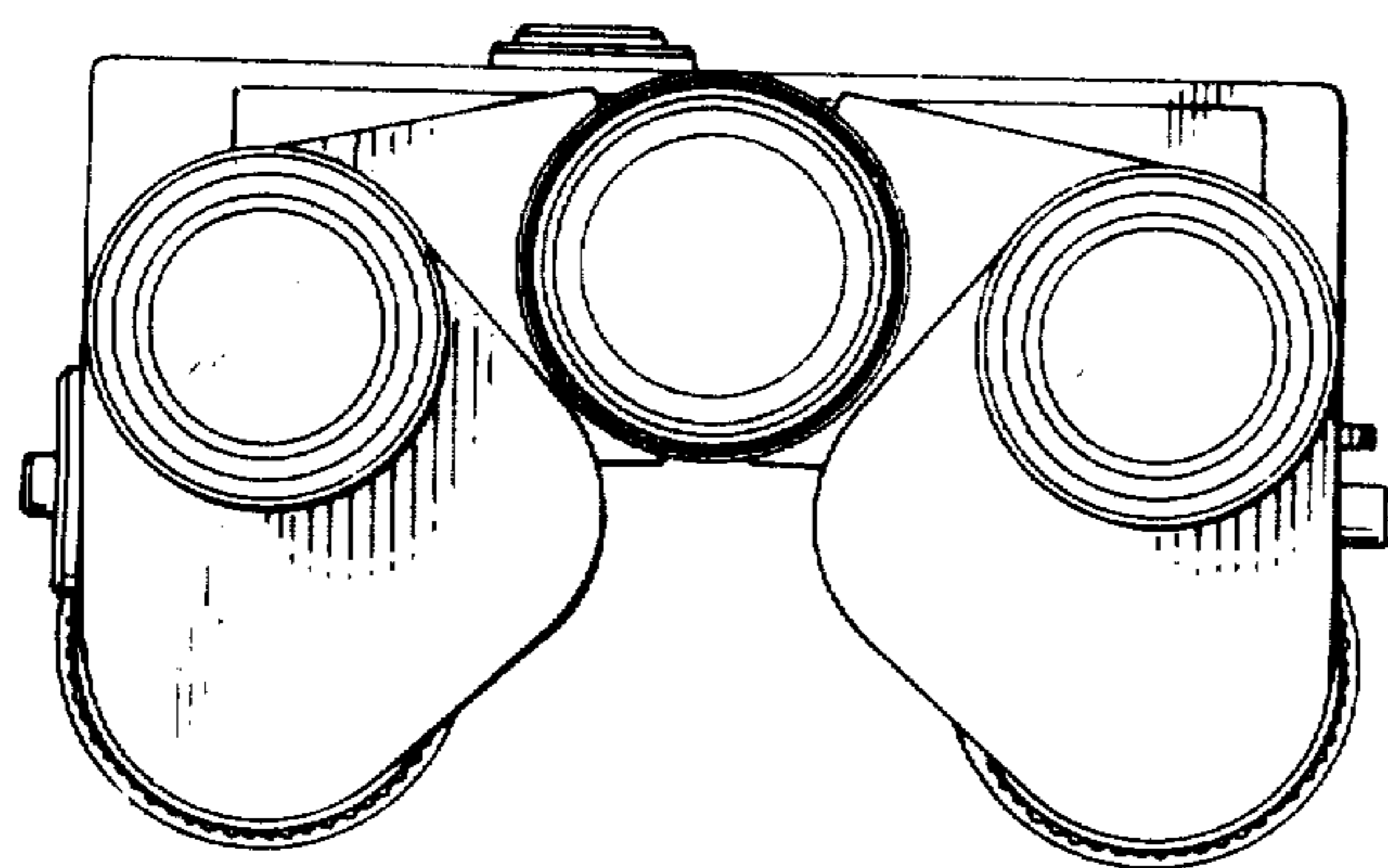


FIG. 1

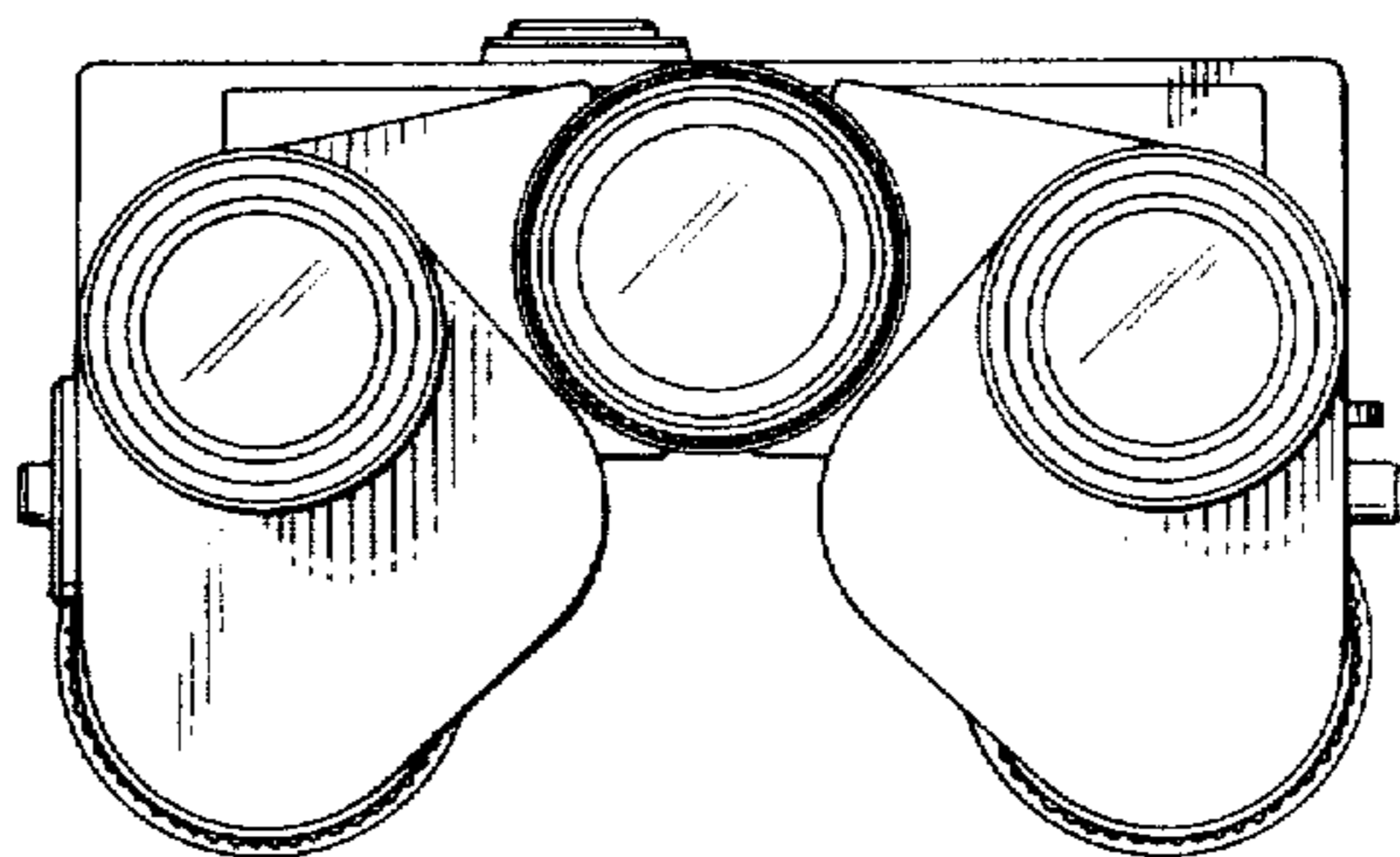


FIG. 2

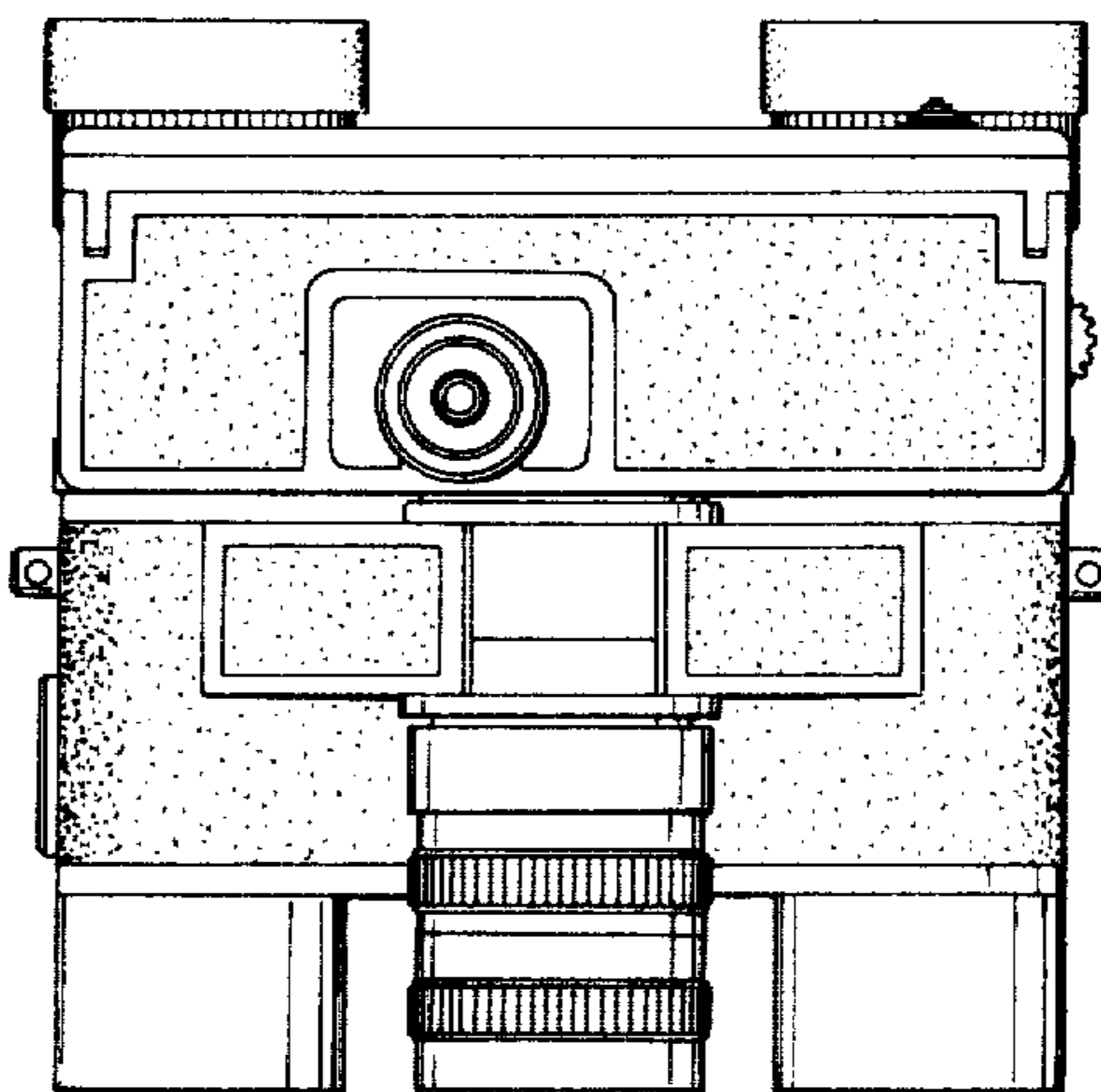


FIG. 3

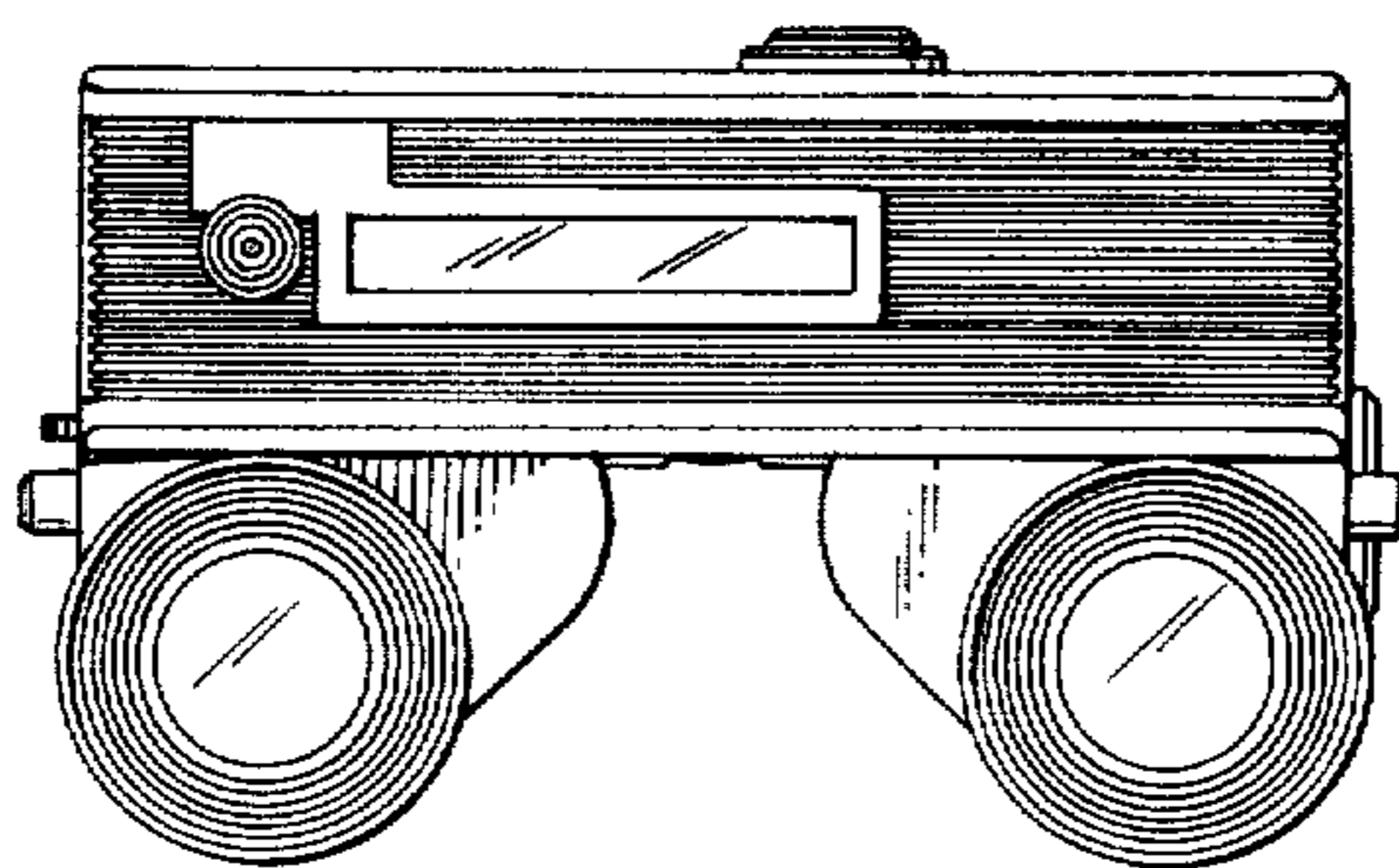


FIG. 4

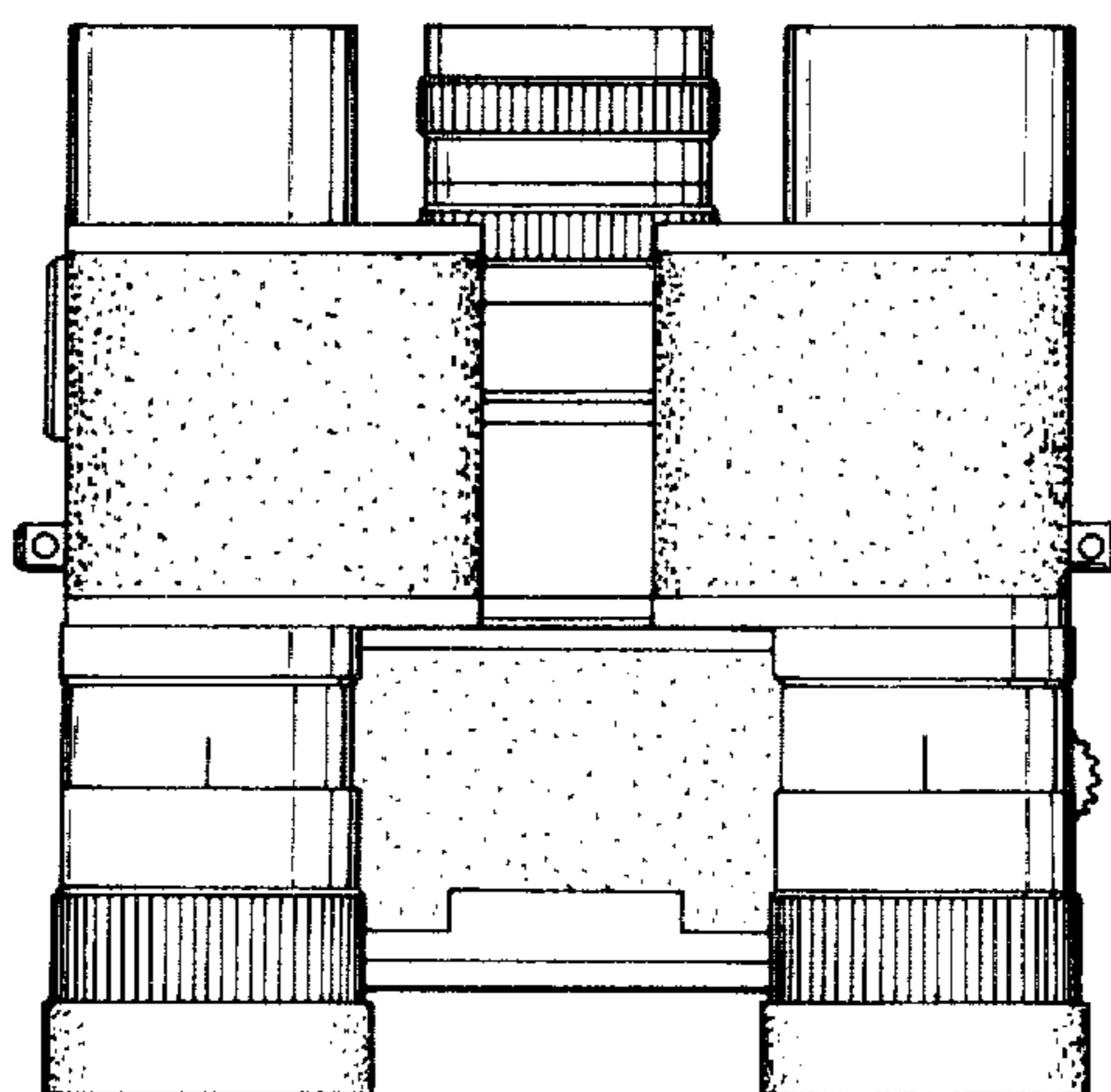


FIG. 5

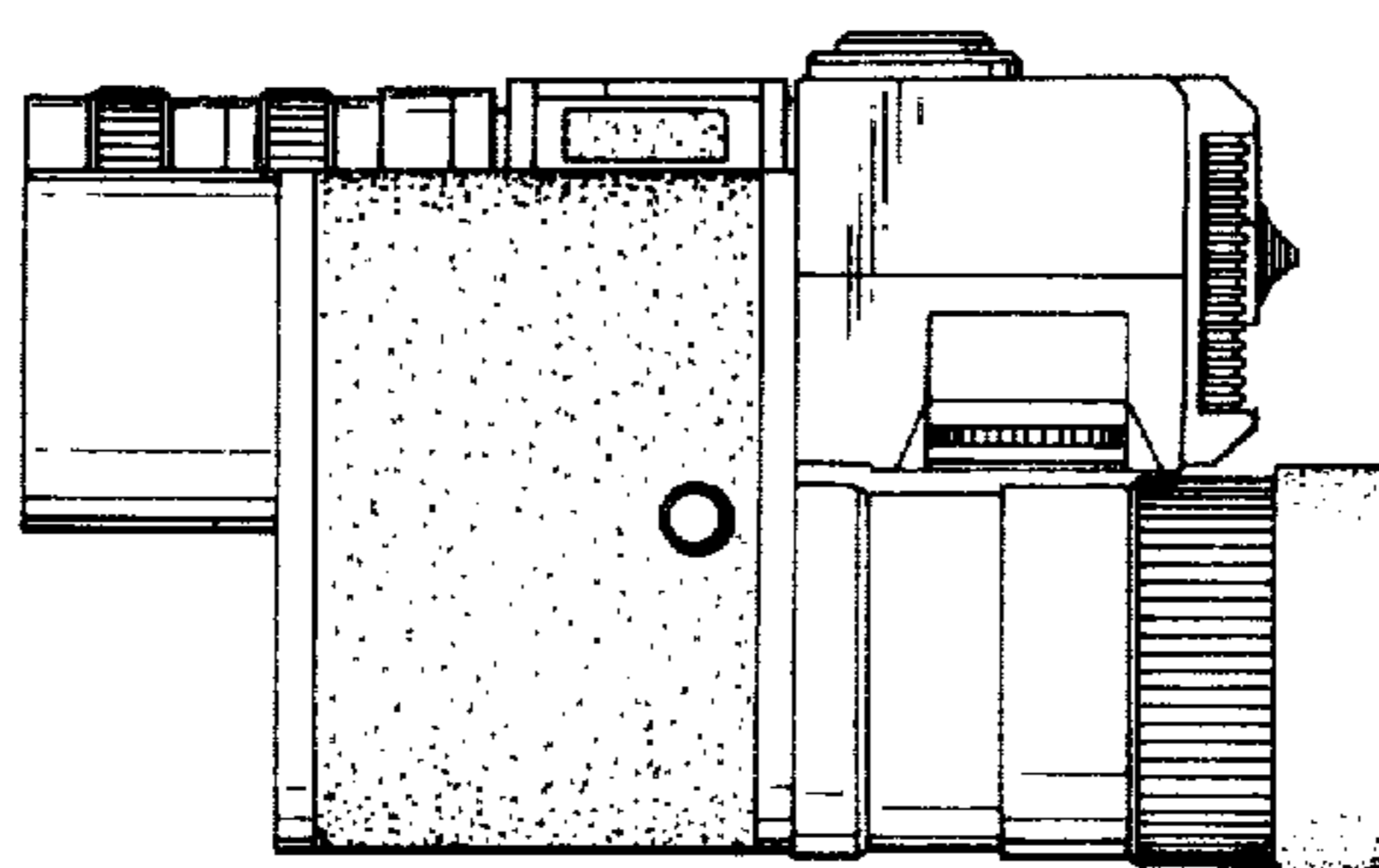


FIG. 6

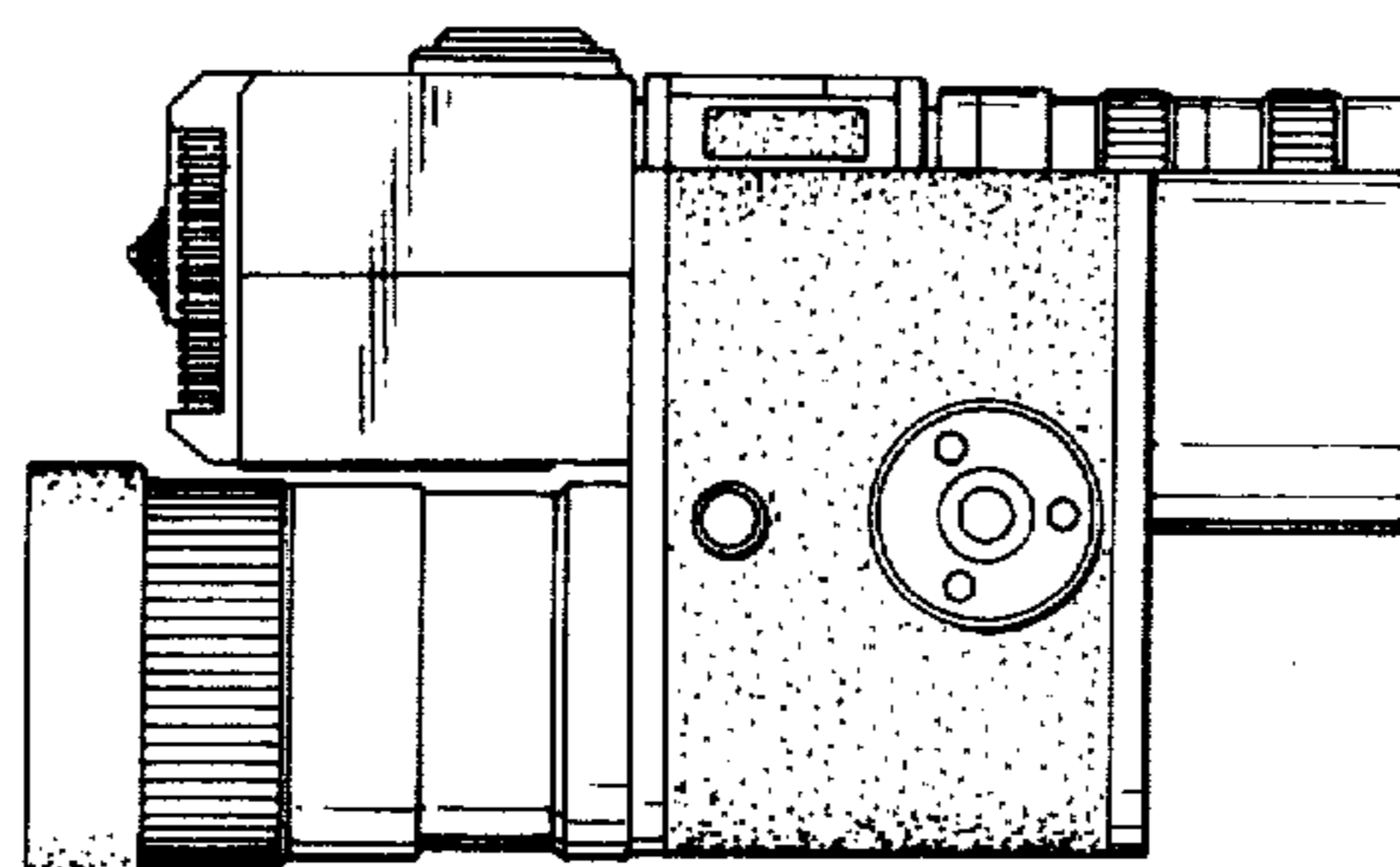


FIG. 7

