

[54] **LOUDSPEAKER**

[75] Inventor: **Takekazu Iijima**, Tokyo, Japan
 [73] Assignee: **Pioneer Kabushiki Kaisha**, Tokyo, Japan
 [**] Term: **14 Years**
 [21] Appl. No.: **165,193**
 [22] Filed: **Jul. 1, 1980**

[30] **Foreign Application Priority Data**

Apr. 9, 1980 [JP] Japan 55-13899

[51] Int. Cl. **D14-01**
 [52] U.S. Cl. **D14/34; D14/33**
 [58] Field of Search **D14/33, 34; 179/1 E, 179/146, 116; 181/146, 147, 148, 156, 155, 199, 152, 195, 144, 145**

[56] **References Cited**

U.S. PATENT DOCUMENTS

D. 248,471 7/1978 Asai D14/34
 D. 254,130 2/1980 Iijima D14/33 X
 D. 254,251 2/1980 Ward D14/34
 D. 254,490 3/1980 Matsubara D14/30 X
 D. 258,208 2/1981 Kawachi D14/34
 2,857,478 10/1958 Harris 179/116
 4,032,725 6/1977 McGee 179/178 X

FOREIGN PATENT DOCUMENTS

25-403775 9/1950 Japan .
 25-403777 9/1950 Japan .
 25-403778 9/1950 Japan .
 25-403780 9/1950 Japan .
 25-404046 9/1950 Japan .
 25-404047 9/1950 Japan .

26-403779 3/1951 Japan .
 28-469544 3/1953 Japan .
 28-481603 8/1953 Japan .
 28-482411 8/1953 Japan .
 28-482729 8/1953 Japan .
 29-515307 10/1954 Japan .
 29-519042 12/1954 Japan .
 29-519050 12/1954 Japan .
 29-519052 12/1954 Japan .
 29-519087 12/1954 Japan .
 29-519088 12/1954 Japan .
 29-519292 12/1954 Japan .
 29-519294 12/1954 Japan .
 30-522177 1/1955 Japan .
 30-522179 1/1955 Japan .
 30-522398 1/1955 Japan .
 30-522400 1/1955 Japan .
 30-522651 1/1955 Japan .
 30-523041 2/1955 Japan .
 30-523042 2/1955 Japan .

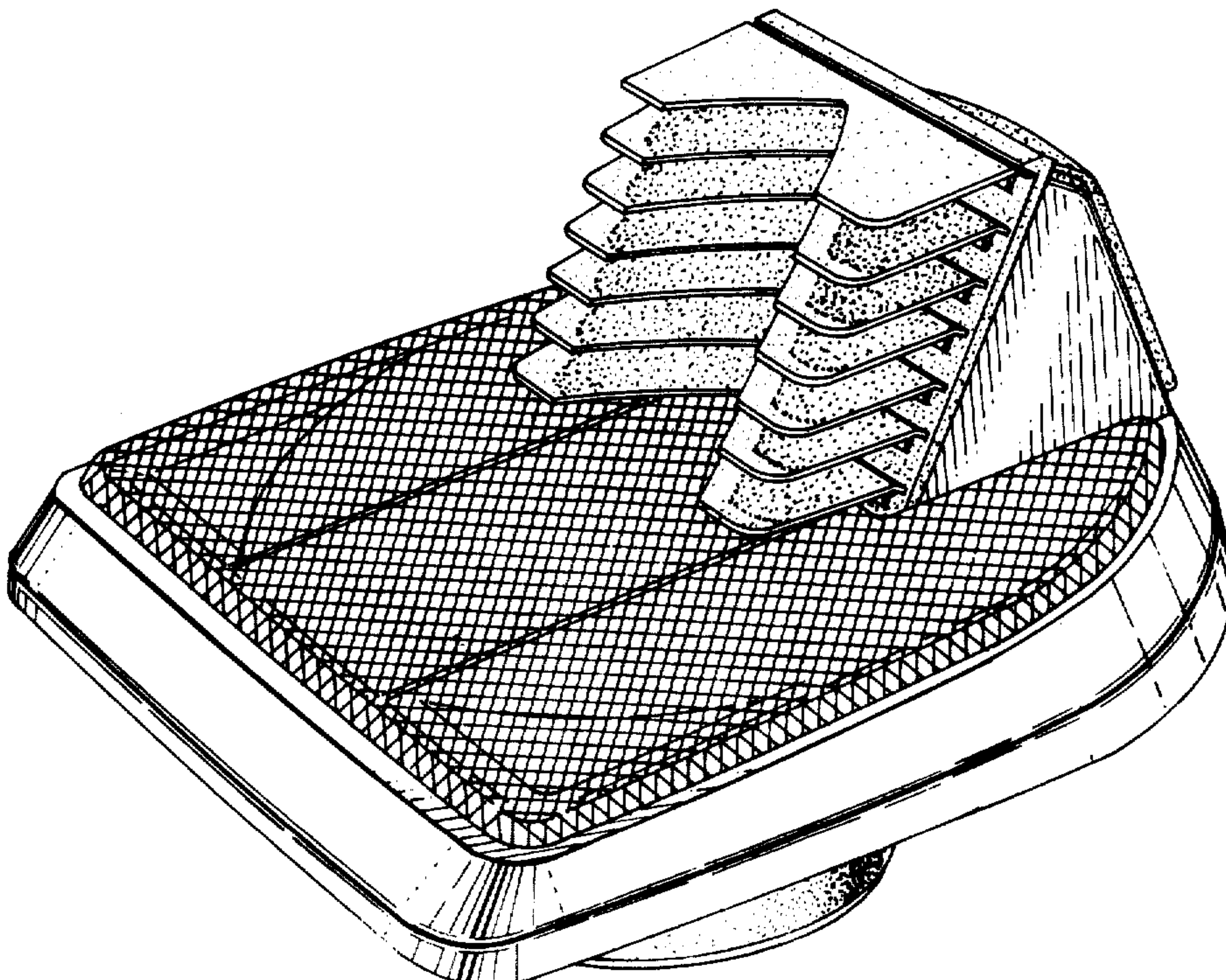
Primary Examiner—Bernard Ansher
Attorney, Agent, or Firm—Armstrong, Nikaido, Marmelstein & Kubovcik

[57] **CLAIM**

The ornamental design for a loudspeaker, as shown and described.

DESCRIPTION

FIG. 1 is a top plan view of a loudspeaker illustrating my new design.
 FIG. 2 is a bottom plan view of the loudspeaker.
 FIG. 3 is a front elevation view of the loudspeaker.
 FIG. 4 is a rear elevation view of the loudspeaker.
 FIG. 5 is a right side view of the loudspeaker.
 FIG. 6 is a left side view of the loudspeaker.
 FIG. 7 is a top-side perspective view of the loudspeaker.



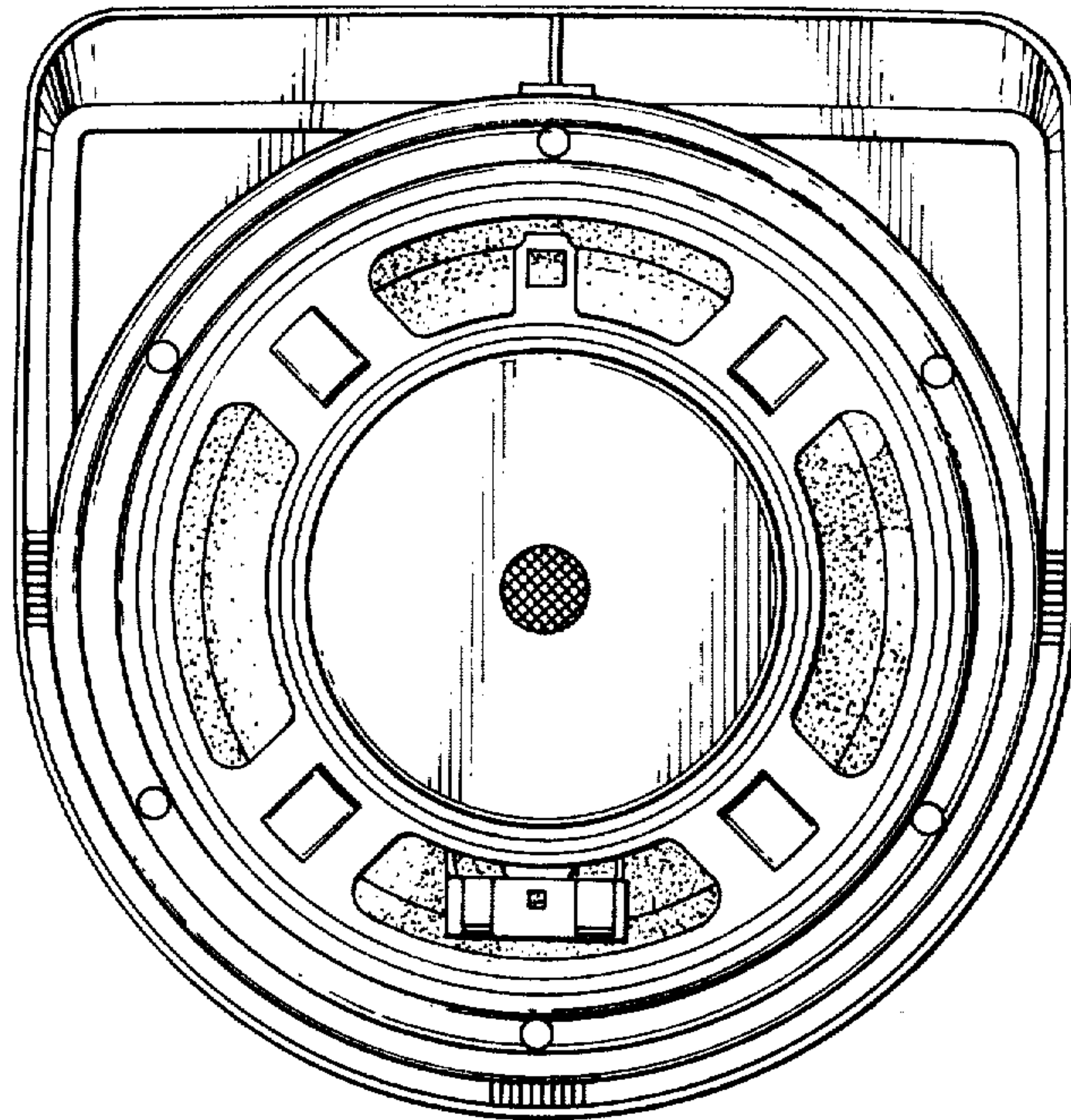


FIG. 2

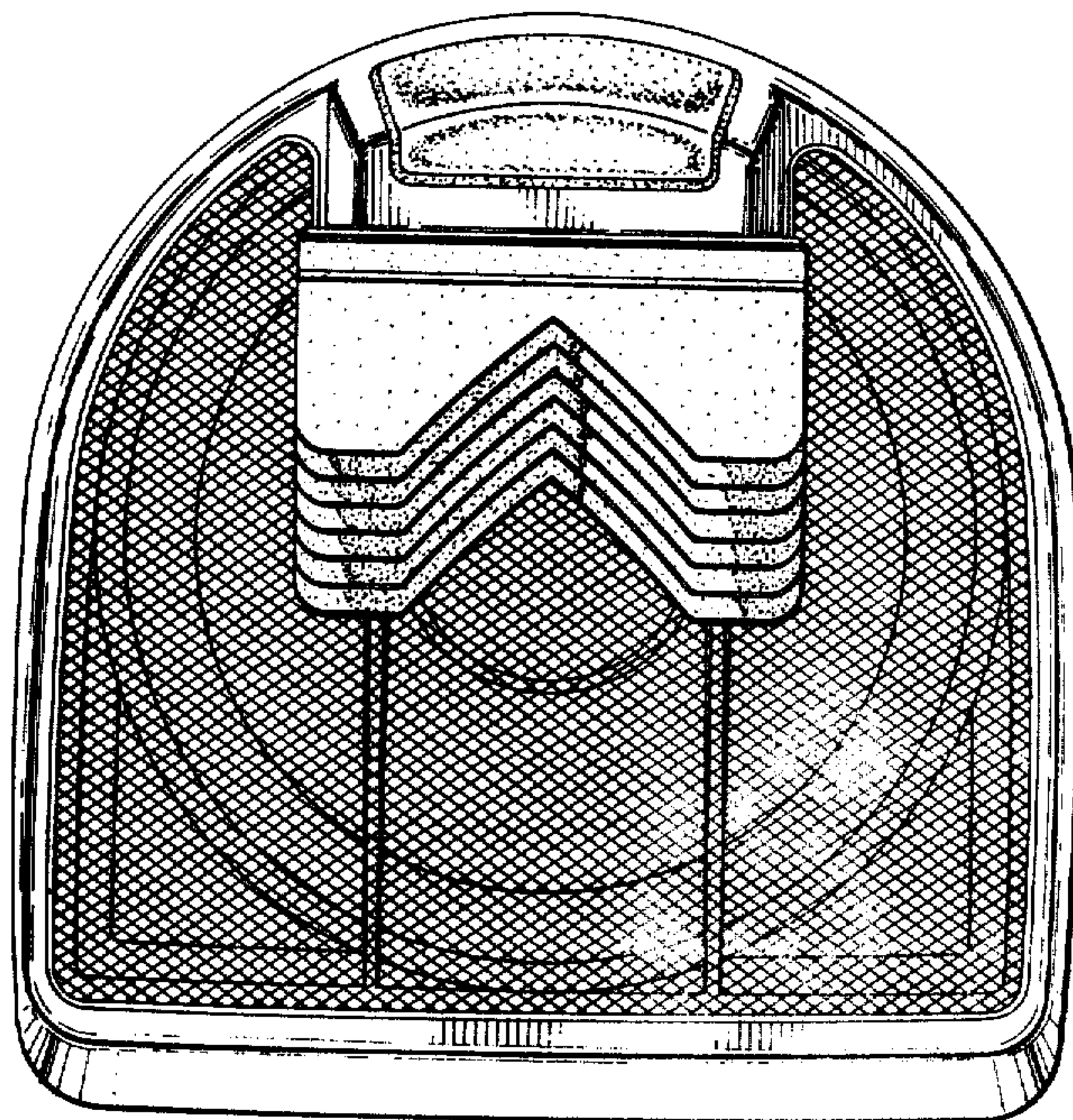


FIG. 1

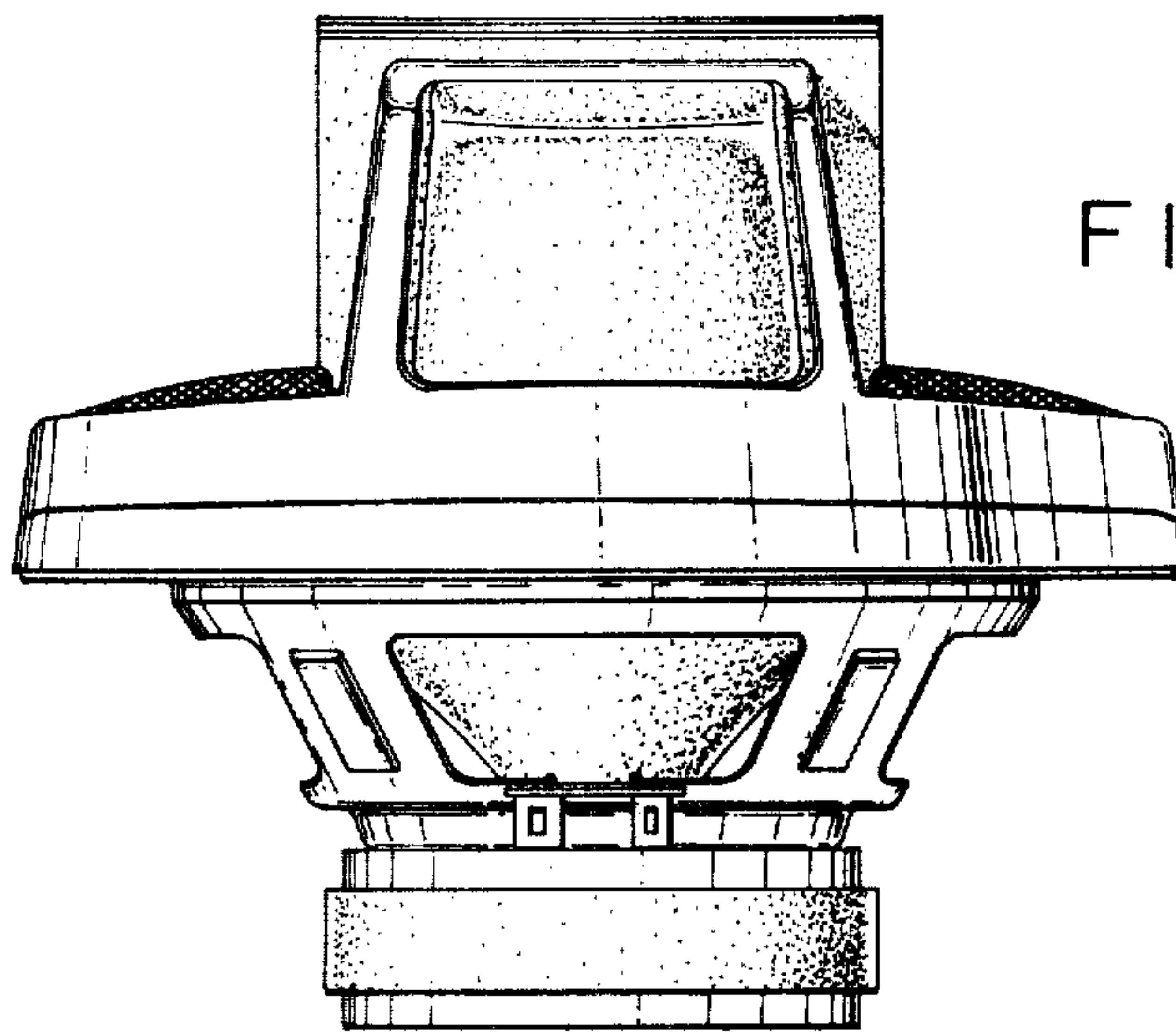


FIG. 4

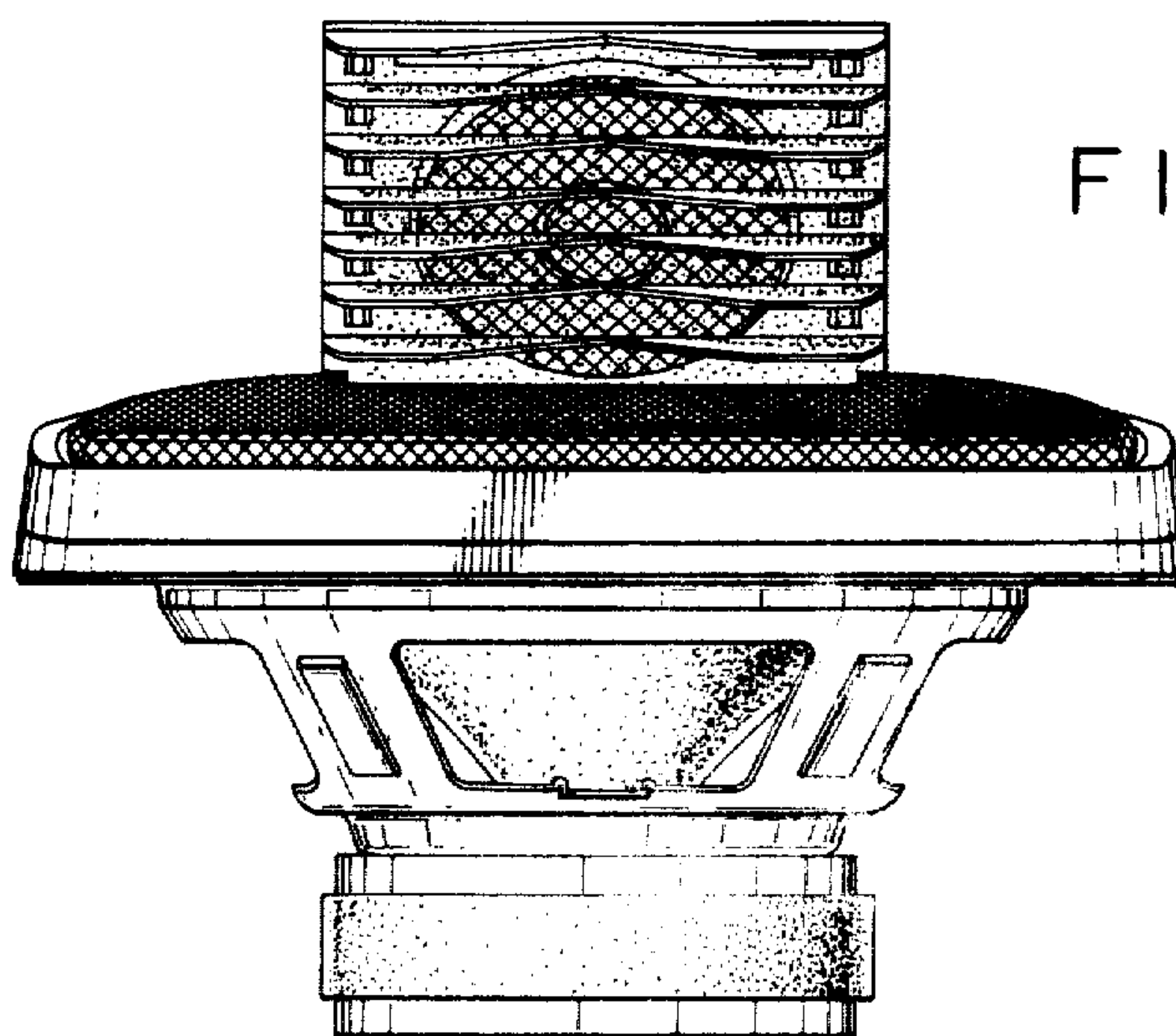


FIG. 3

FIG. 5

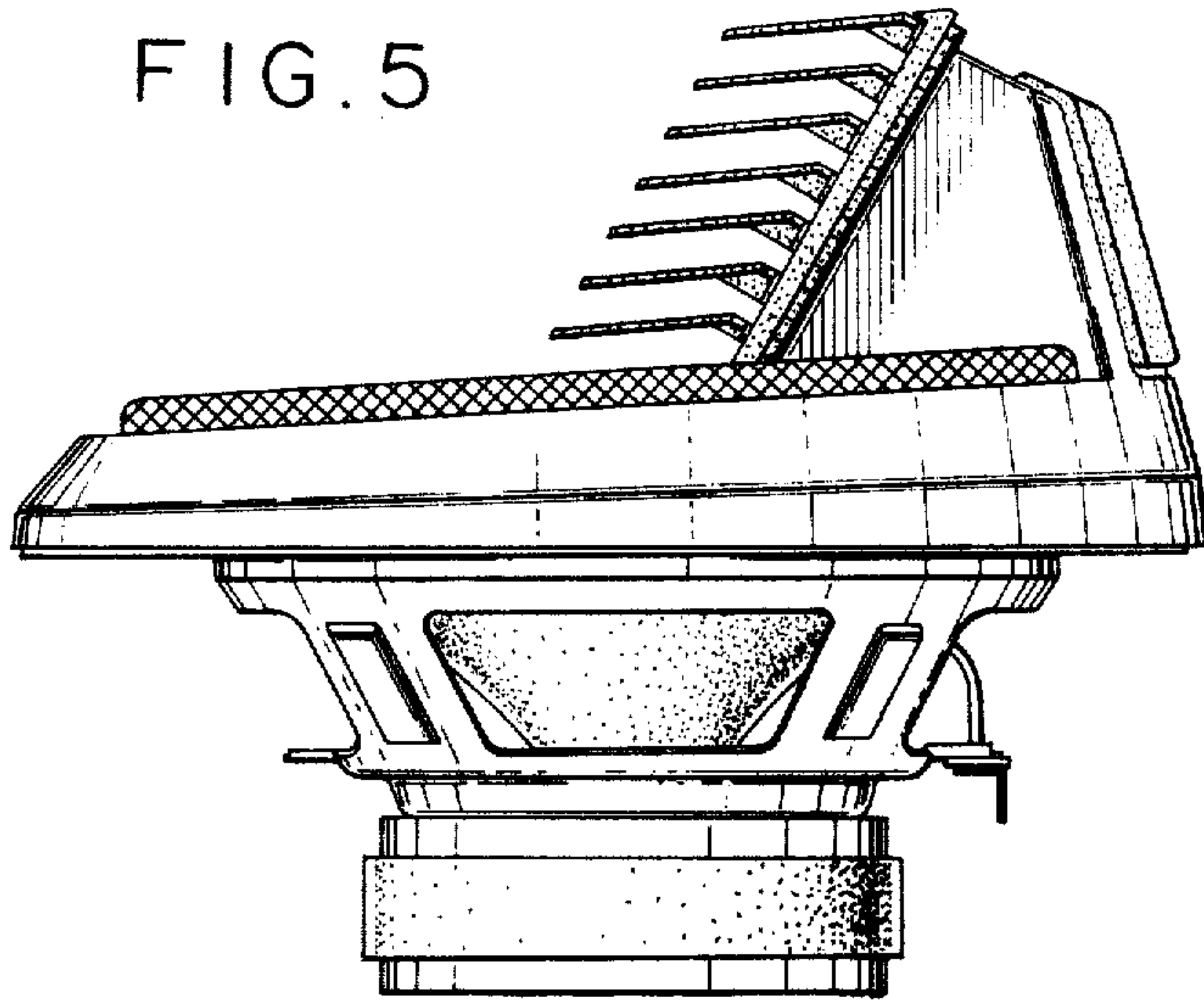


FIG. 6

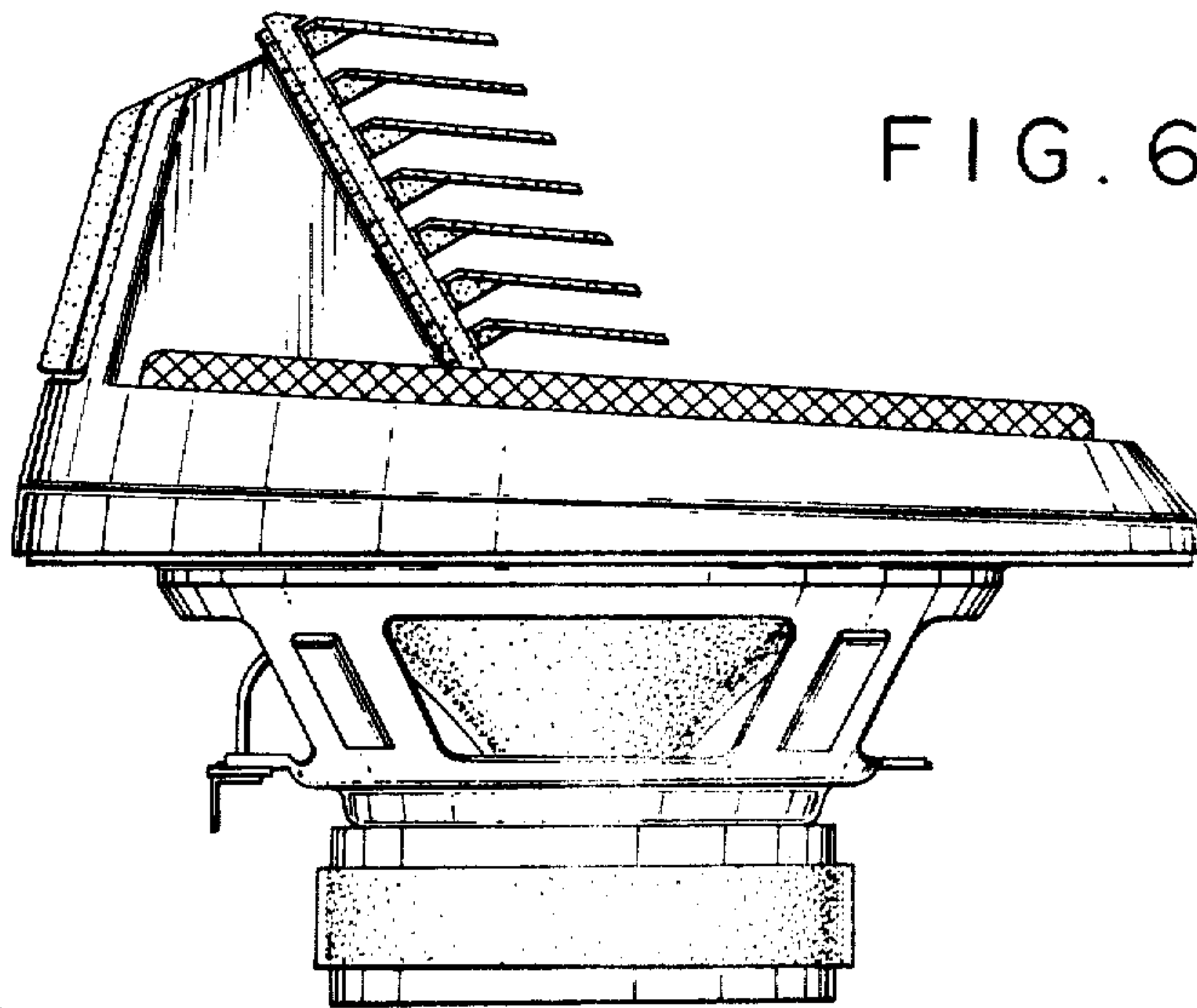


FIG. 7

