

[54] RACING CAR CONTROL PANEL

[76] Inventor: John M. Zizza, 16 Lawson Ave.,
Revere, Mass. 02151

[**] Term: 14 Years

[21] Appl. No.: 148,559

[22] Filed: May 9, 1980

[51] Int. Cl. D13-03

[52] U.S. Cl. D13/12; D12/192;
D13/37

[58] Field of Search D13/32, 12, 37;
D12/192; 200/1 R, 5 R

[56] References Cited
PUBLICATIONS

Solico Power Panel, Flyer, Model 1000-PX.
Design News, May 2, 1977, p. 11, top right, illustration
at bottom, and p. 10.
Superior Electric, Flyer, second illustration from left,
lower Switch Box.

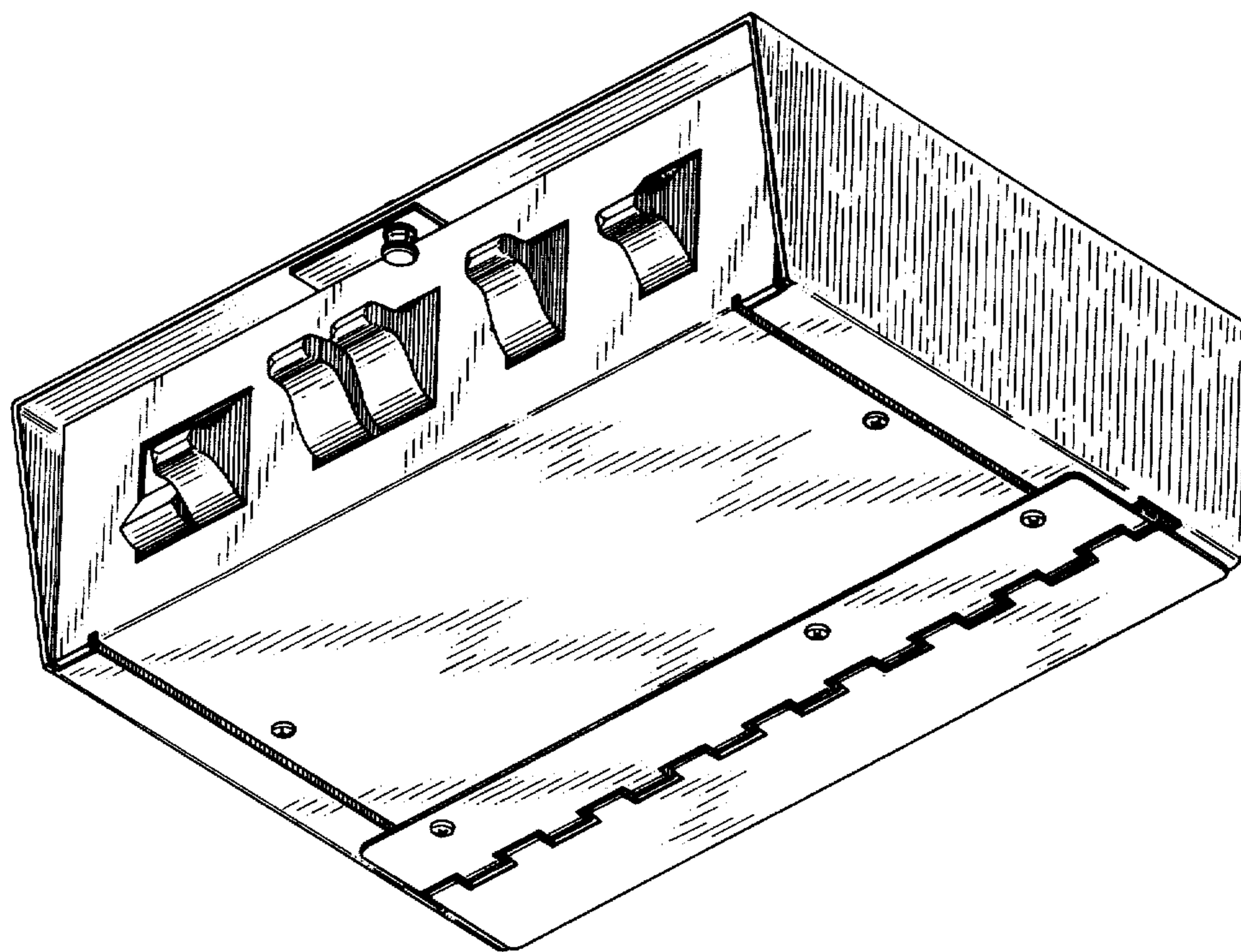
Primary Examiner—Melvin B. Feifer
Attorney, Agent, or Firm—Joseph S. Iandiorio

[57] CLAIM

The ornamental design for a racing car control panel, as
shown.

DESCRIPTION

FIG. 1 is an isometric front view of the racing car control
panel showing my new design; and
FIG. 2 is an isometric rear view of the racing car control
panel.



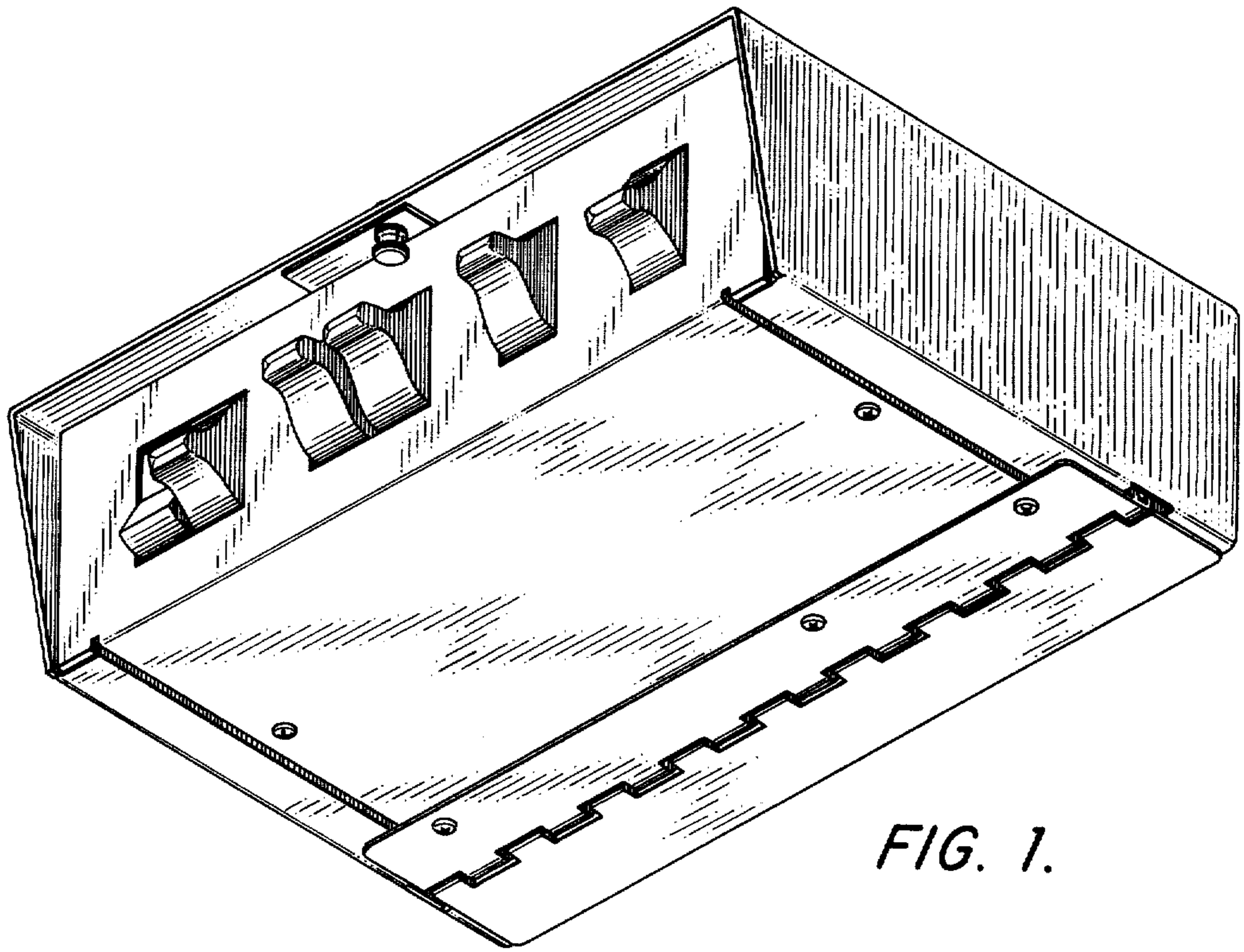


FIG. 1.

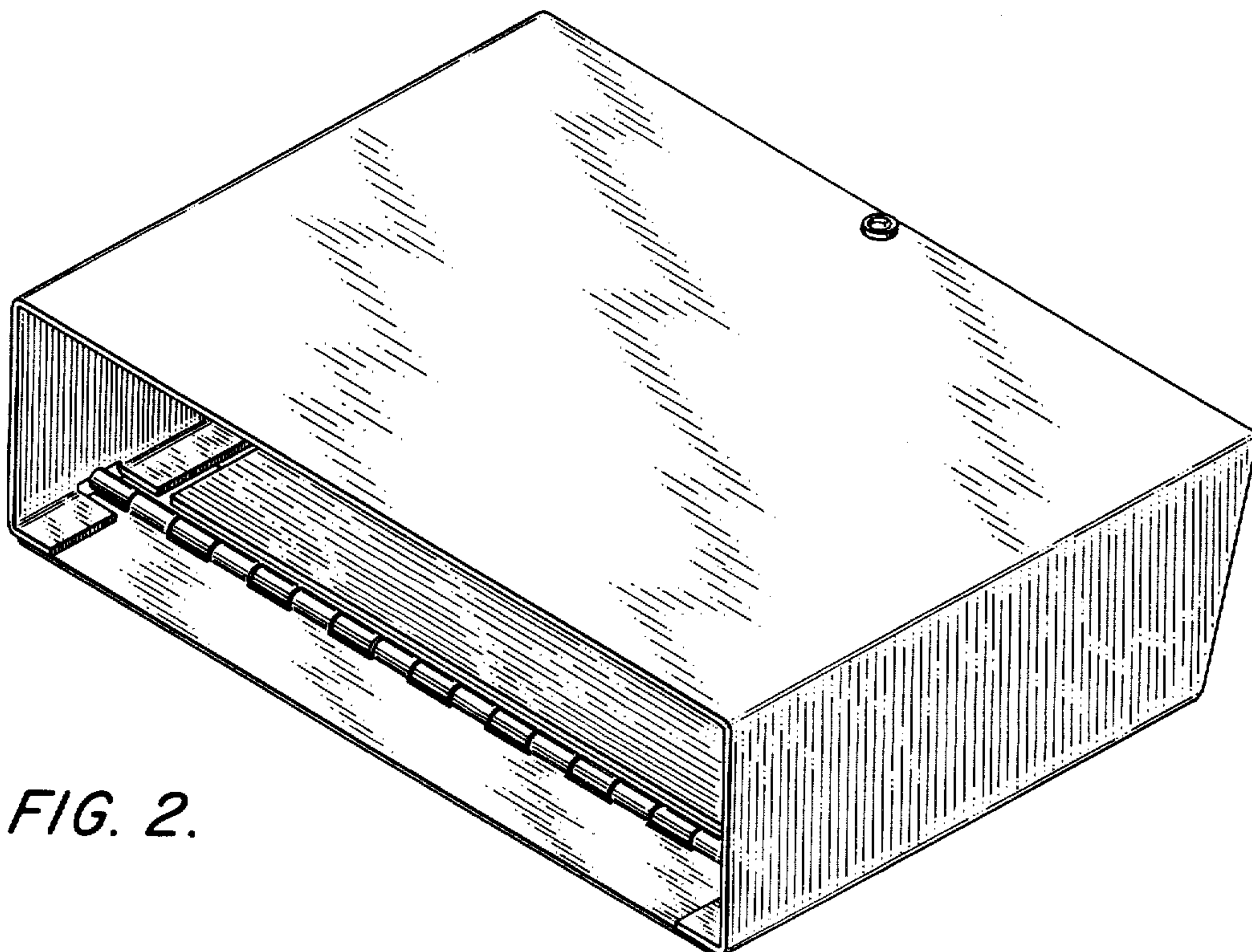


FIG. 2.