

[54] PICTURE DISPLAY FRAME

[76] Inventor: Donald B. Smith, R.R. No. 1, Mount Brydges, Ontario, Canada, N0L 1W0

[**] Term: 14 Years

[21] Appl. No.: 267,999

[22] Filed: May 28, 1981

D. 140,181	1/1945	McGonigal	D6/233
D. 142,985	11/1945	Brown	D6/234
1,342,248	6/1920	Bloomquist	D6/238
4,194,313	3/1980	Downing	40/155

Primary Examiner—Charles A. Rademaker
Attorney, Agent, or Firm—Weldon F. Green

[57] CLAIM

The ornamental design for a picture display frame, as shown and described.

Related U.S. Application Data

[62] Division of Ser. No. 44,844, Jun. 4, 1979, Pat. No. Des. 261,585.

[51] Int. Cl. D6—07
 [52] U.S. Cl. D6/235; D6/234
 [58] Field of Search D6/232-246;
 D28/71, 61-68; 428/14; 40/152, 152.1, 152.2,
 155, 160

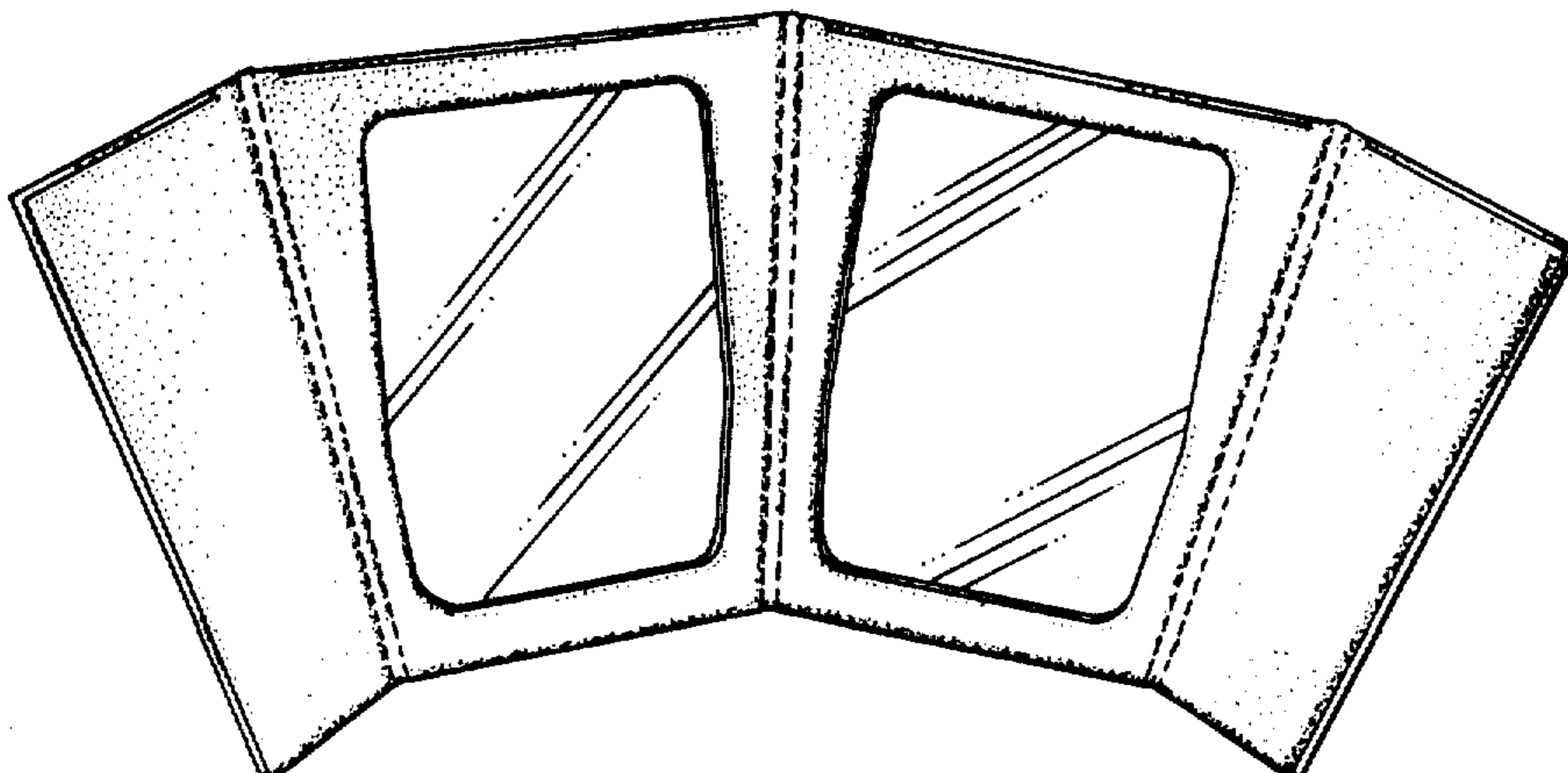
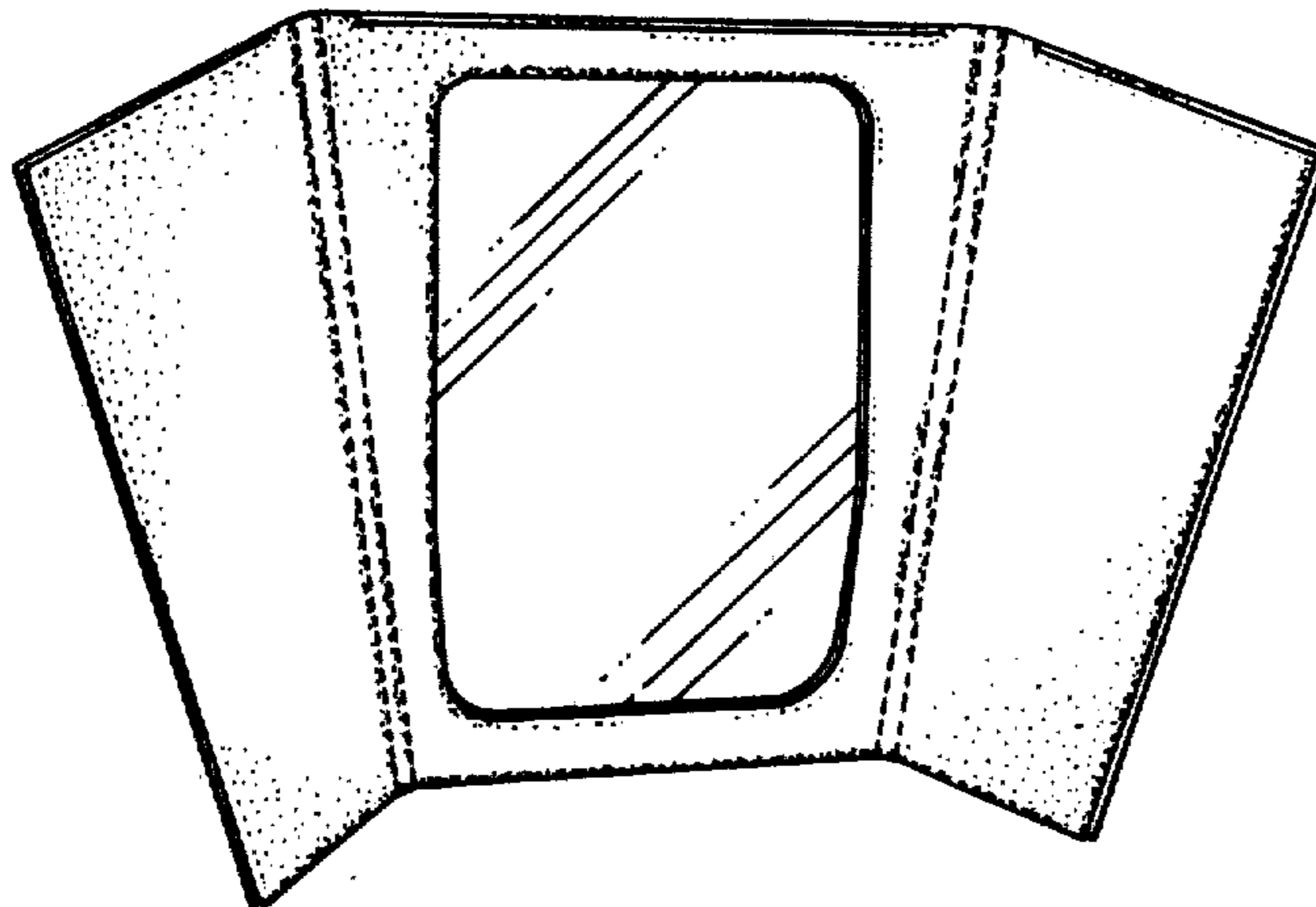
[56] References Cited

U.S. PATENT DOCUMENTS

D. 96,743 9/1935 Golden D6/241

DESCRIPTION

FIG. 1 is a front perspective view of a picture display frame showing my new design;
 FIG. 2 is a bottom perspective view thereof;
 FIG. 3 is a front elevational view thereof;
 FIG. 4 is a right side elevational view thereof, the side opposite being a mirror image;
 FIG. 5 is a front perspective view of a modified form of the design shown in FIGS. 1 through 4;
 FIG. 6 is a bottom perspective view thereof;
 FIG. 7 is a front elevational view thereof;
 FIG. 8 is a right side elevational view thereof, the side opposite being a mirror image;



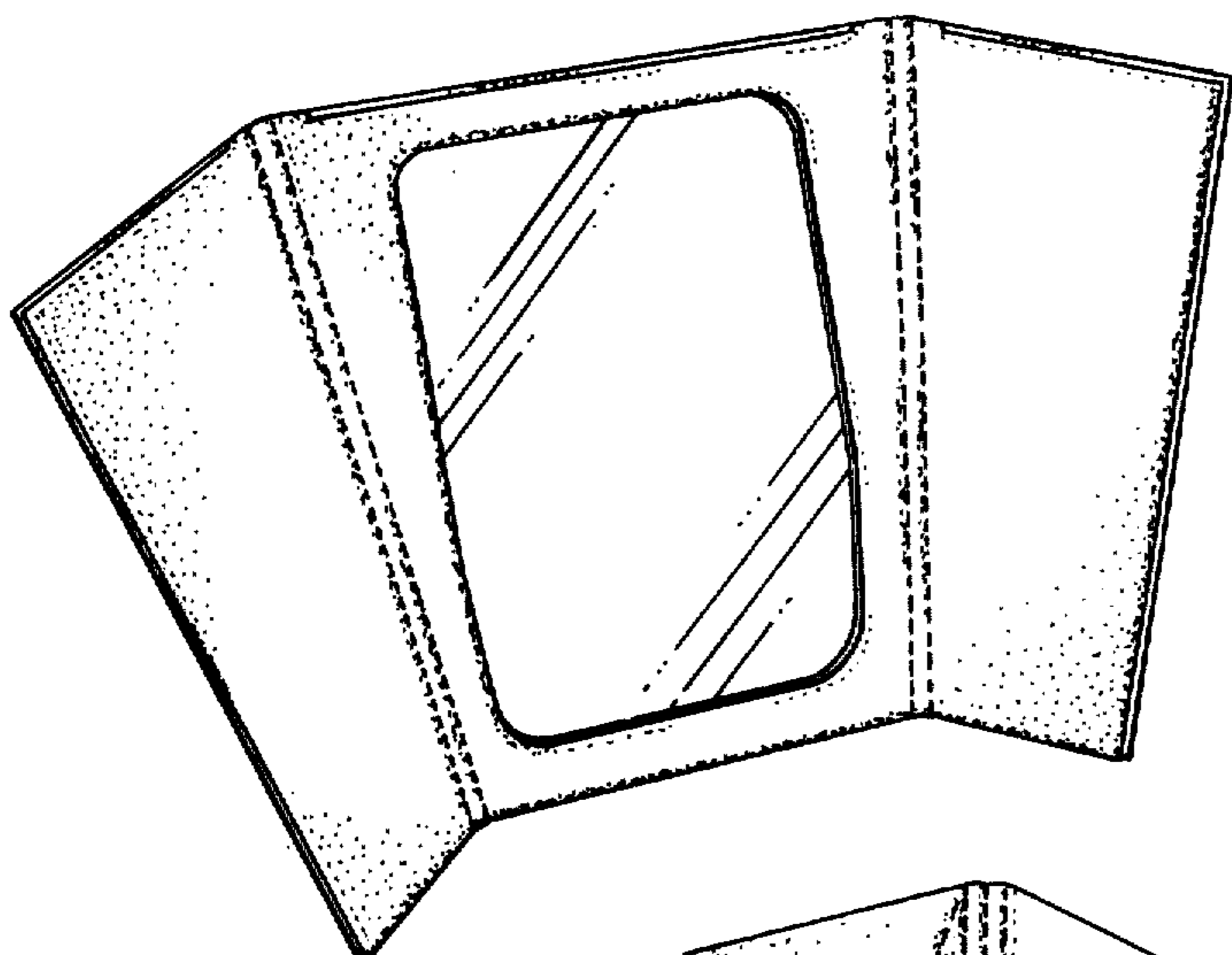


FIG. 1

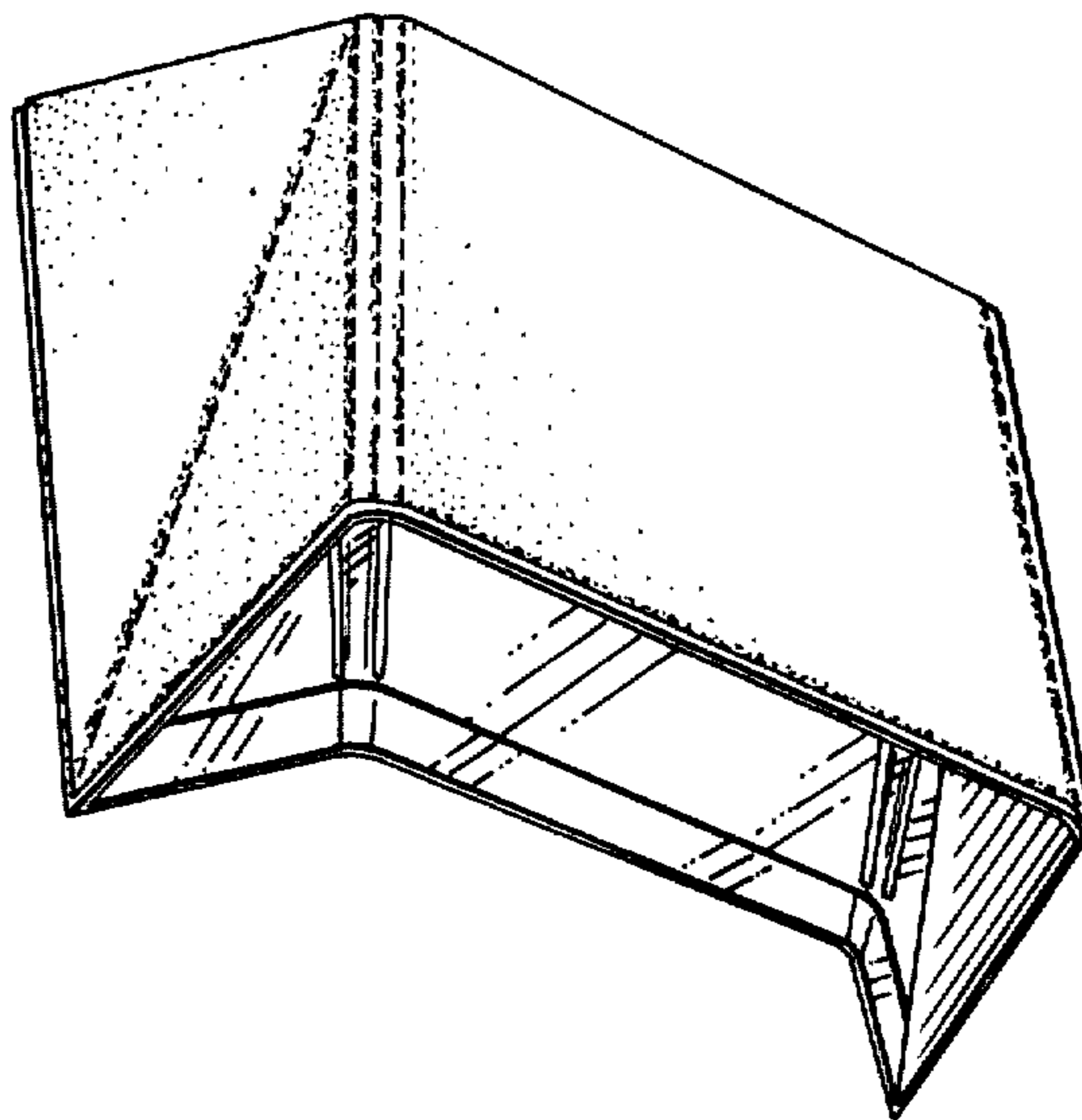


FIG. 2

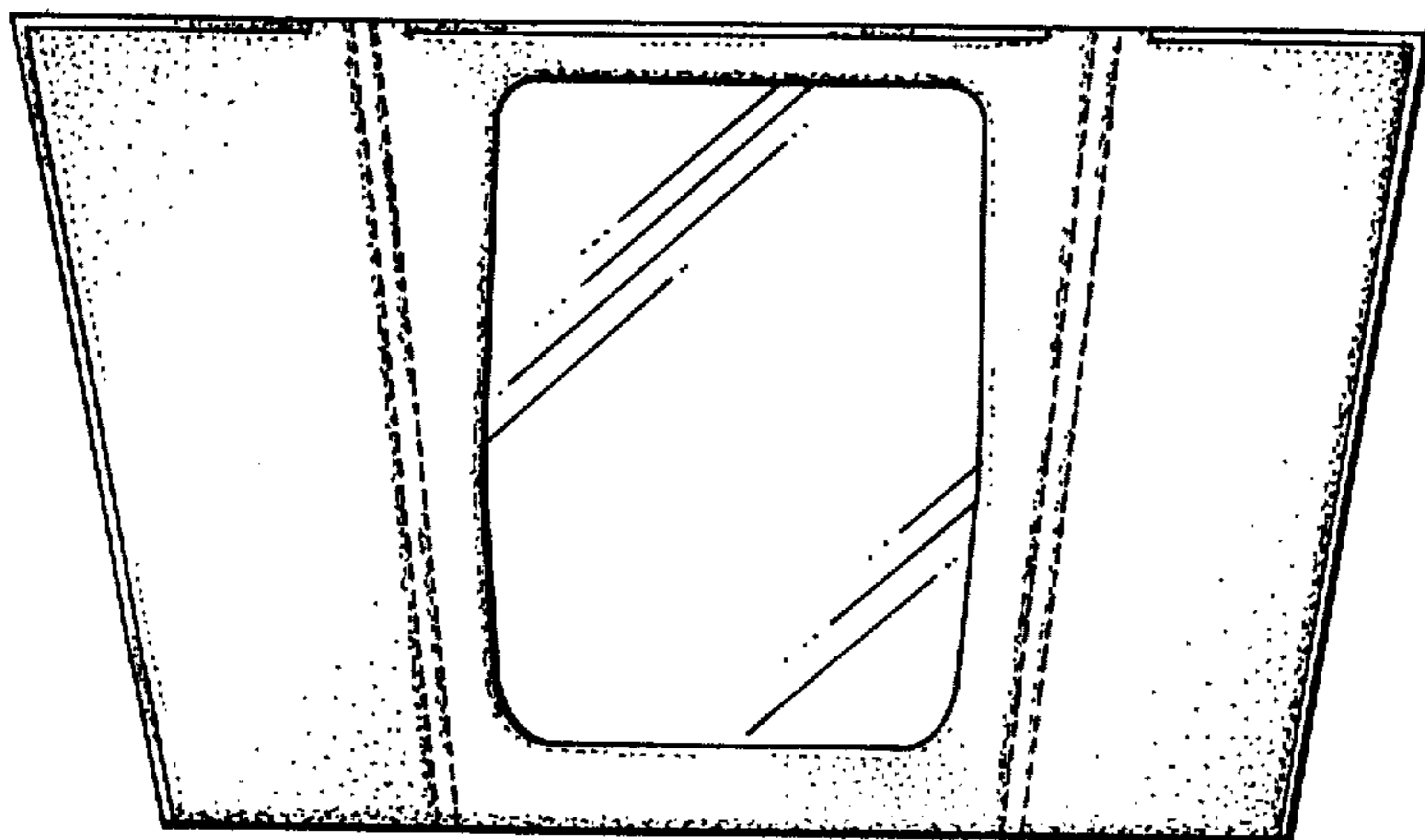


FIG. 3

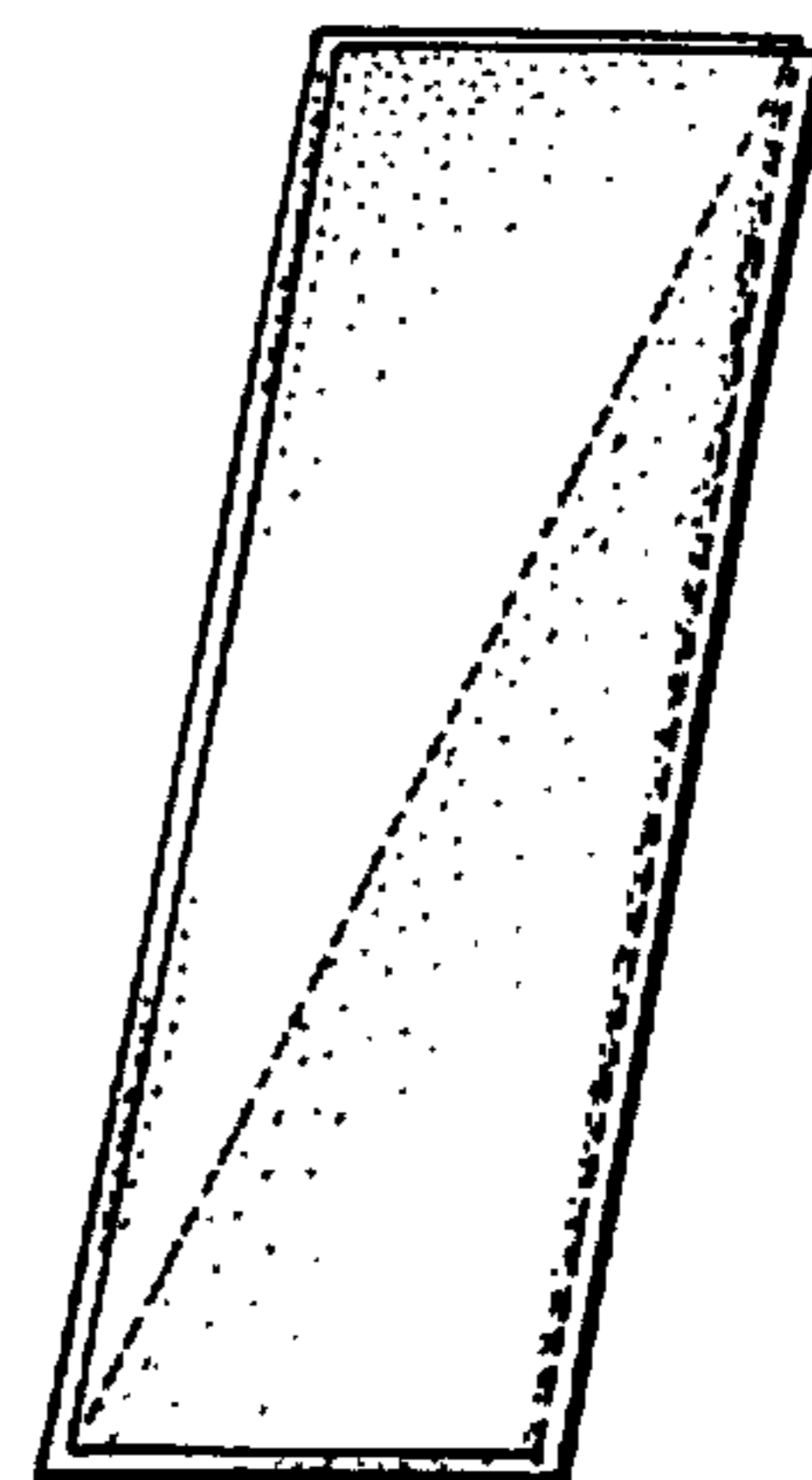


FIG. 4

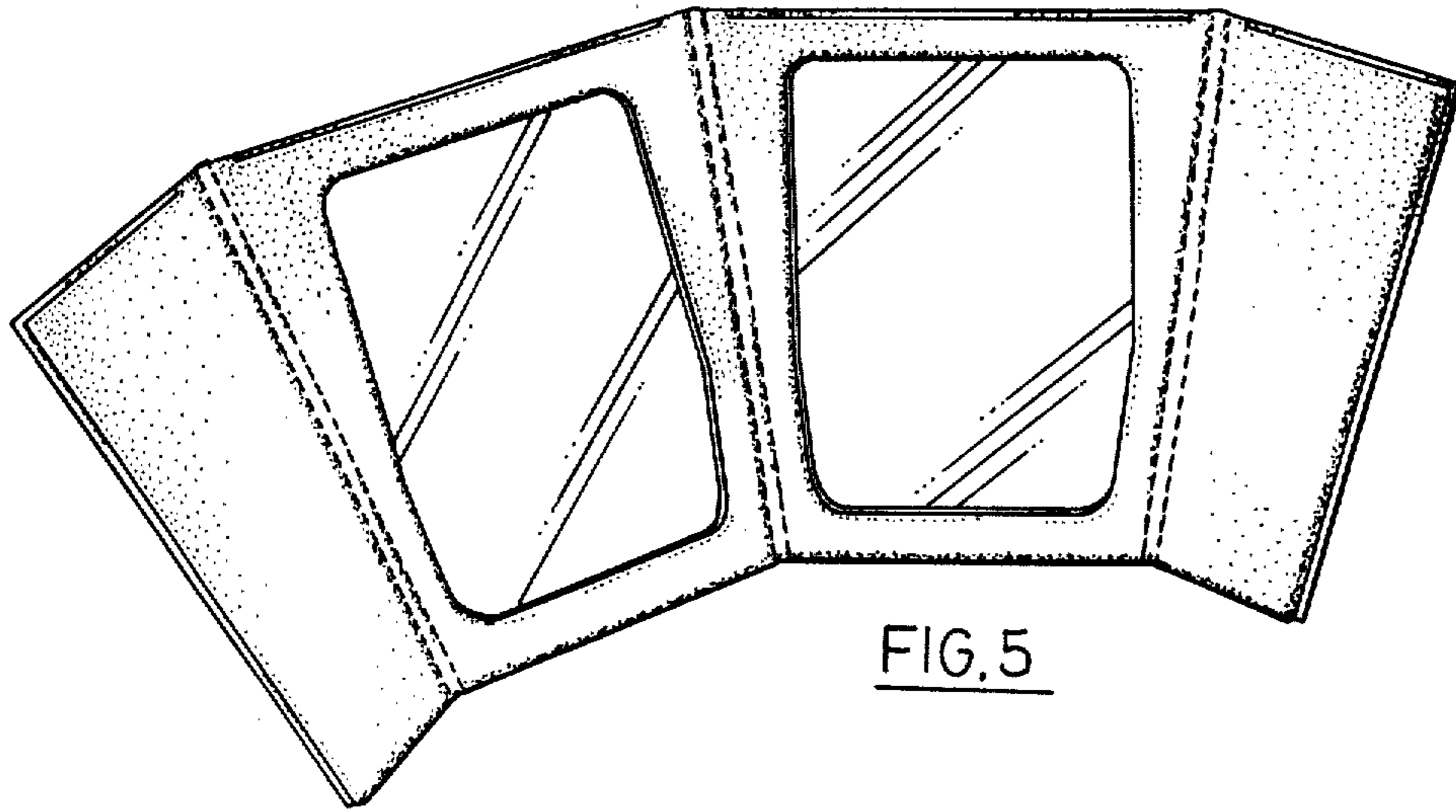


FIG. 5

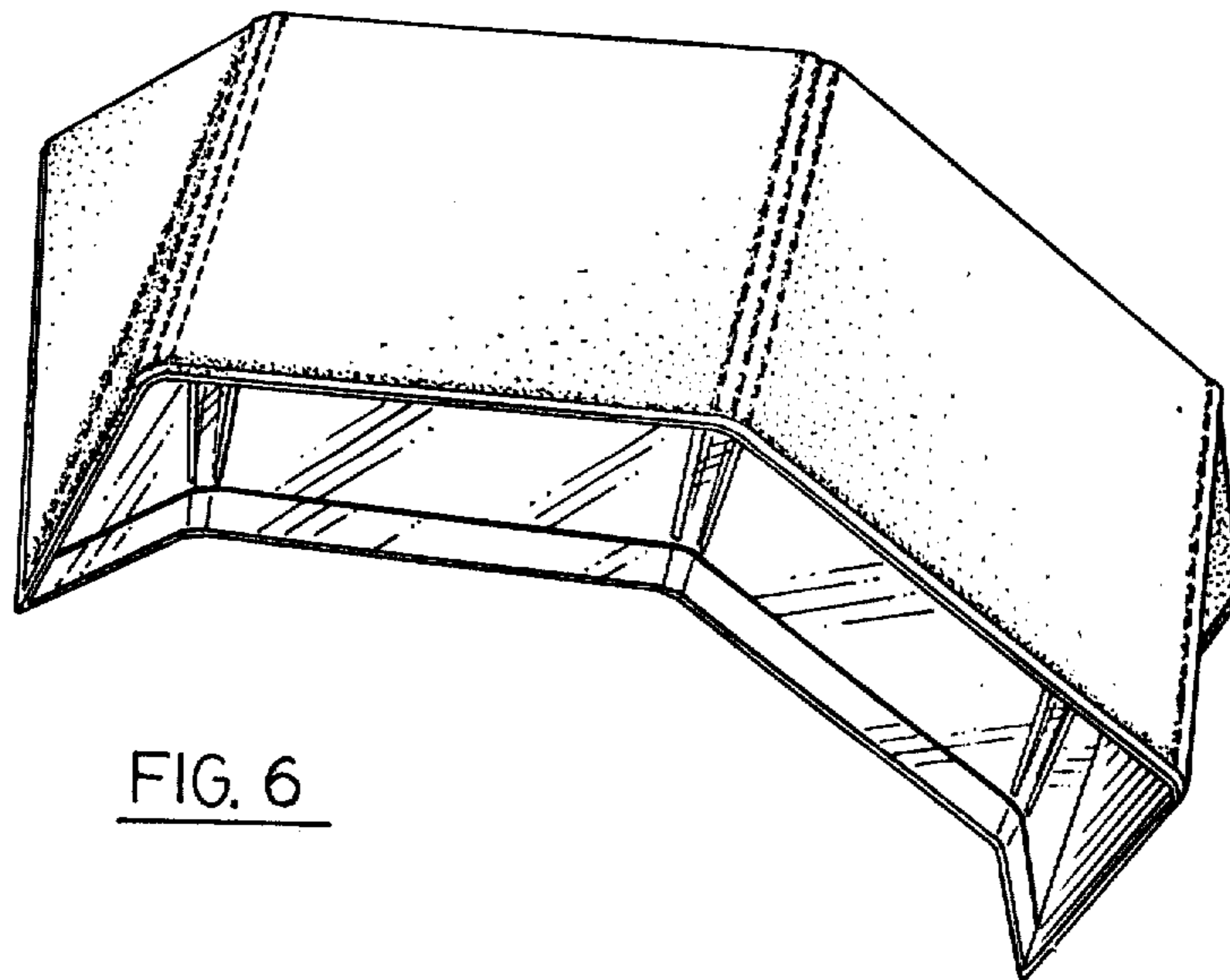


FIG. 6

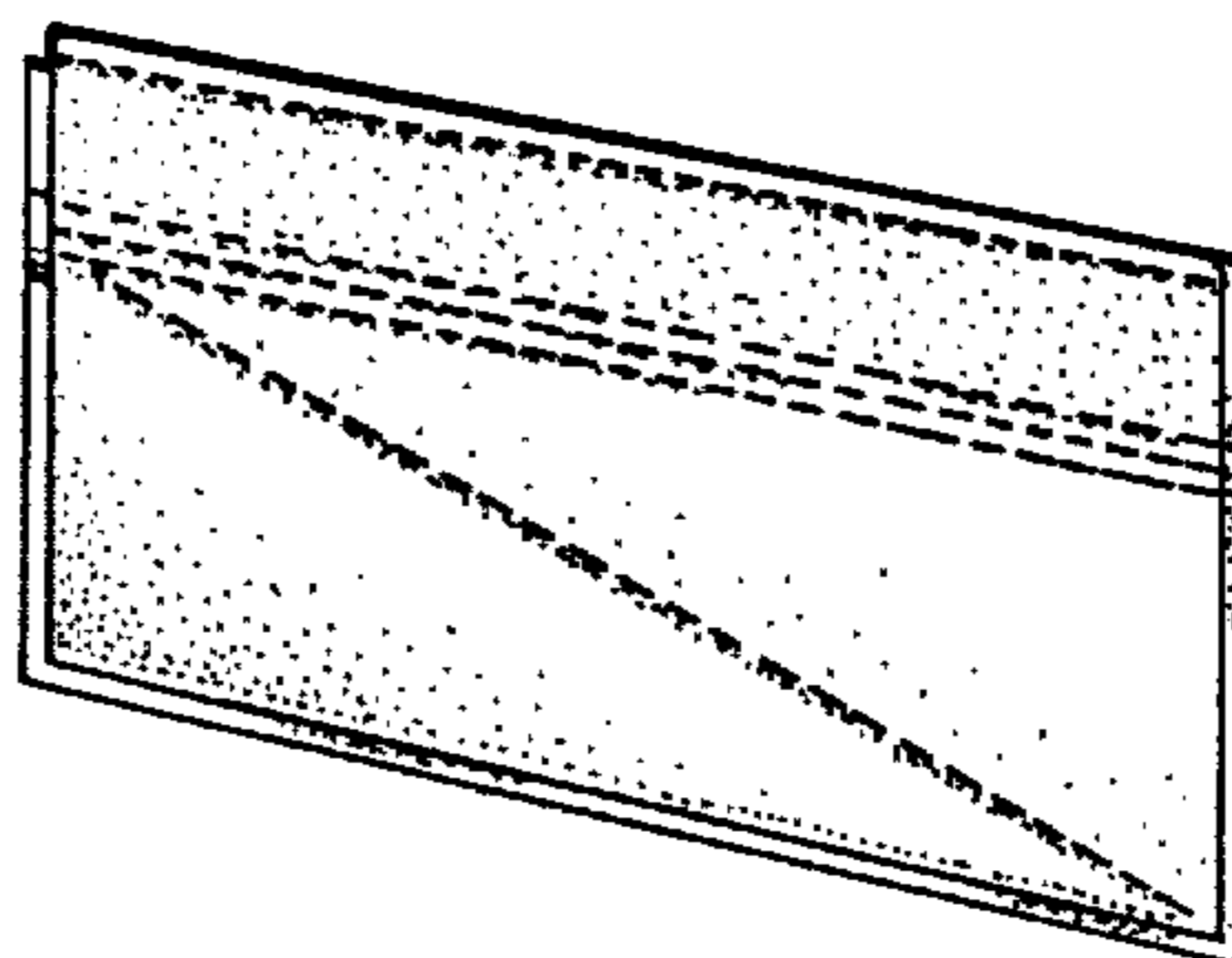


FIG. 8

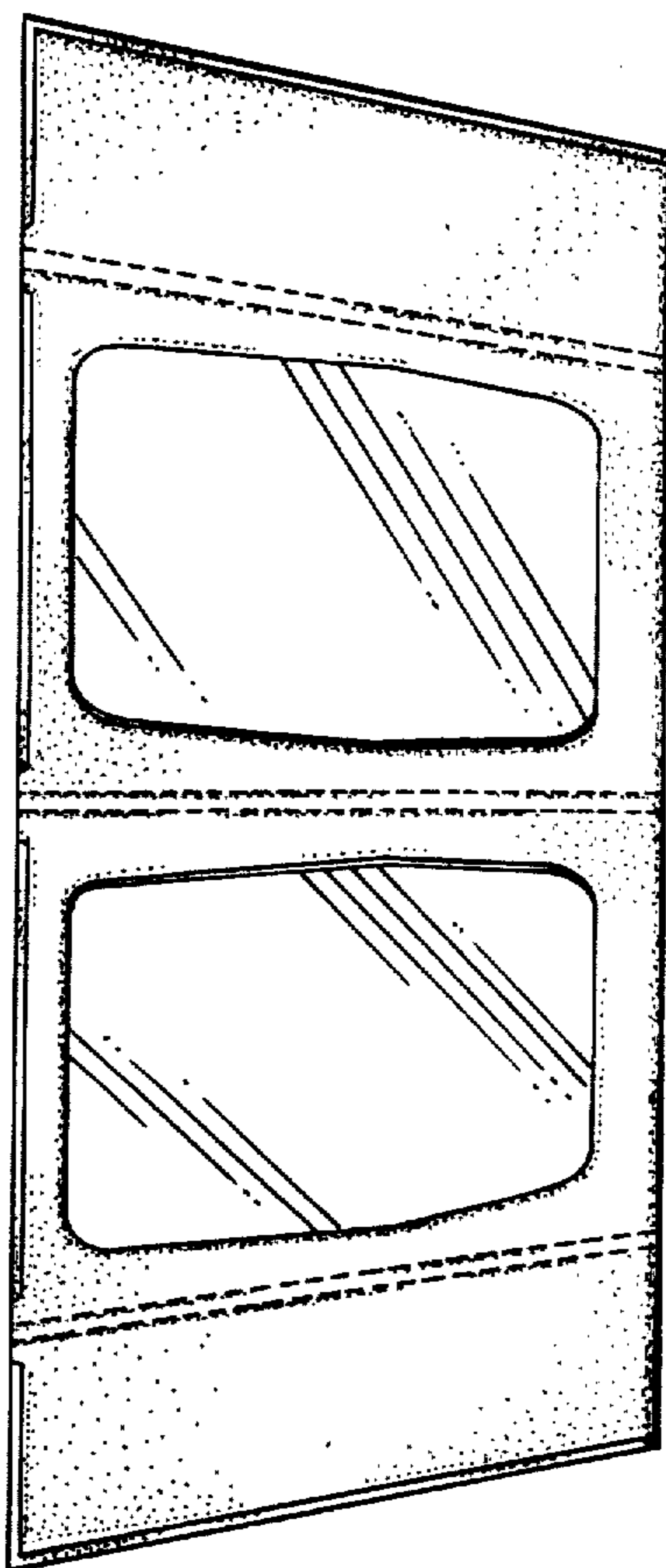


FIG. 7