

[54] DISPLAY HOLDER FOR CARDS AND THE LIKE

[75] Inventor: Richard M. Liptak, Parma Heights, Ohio

[73] Assignee: Integral Design, Inc., Cleveland, Ohio

[\*\*] Term: 14 Years

[21] Appl. No.: 137,768

[22] Filed: Apr. 7, 1980

[51] Int. Cl. .... D20-02

[52] U.S. Cl. .... D6/140; D6/180; D6/181

[58] Field of Search ..... D6/1, 85, 140, 157, D6/181, 184, 185, 186, 180; D7/72, 75; D19/75, 78, 85, 86, 90, 91; 40/124, 124.2, 124.1, 124.4, 904; 312/42, 50

[56] References Cited

U.S. PATENT DOCUMENTS

D. 177,713	5/1956	Bracken	.....	D6/181
D. 177,737	5/1956	King et al.	.....	D6/181
3,301,388	1/1967	Rockwell	.....	312/42 X
3,511,386	5/1970	Greenberger	.....	312/50 X

OTHER PUBLICATIONS

*Gift and Tableware Reporter*, Jan. 1978, p. 19, "Recipe Box by Karmel" top center of page.

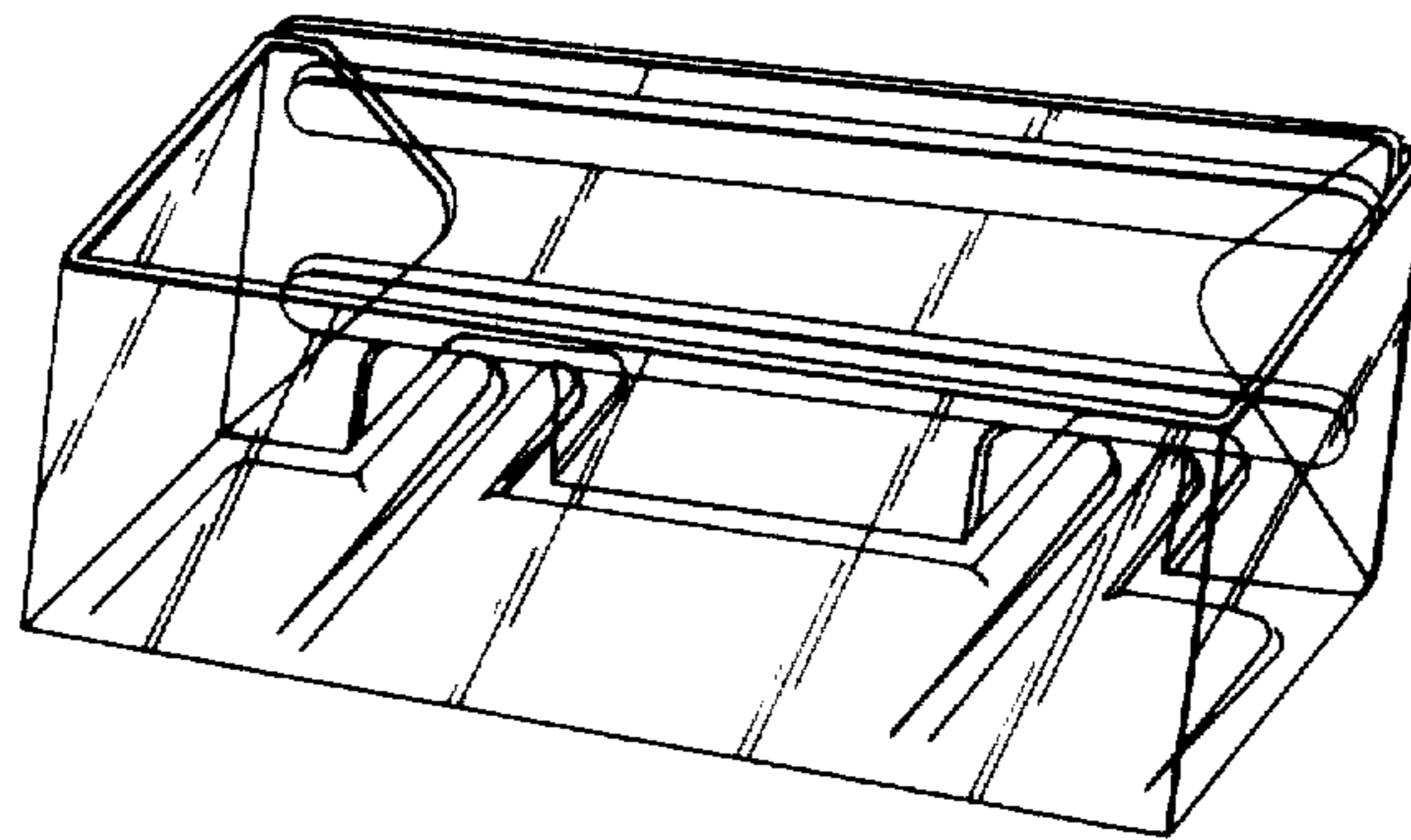
*Primary Examiner*—Joel Stearman  
*Assistant Examiner*—Carmen H. Vales  
*Attorney, Agent, or Firm*—Pearne, Gordon, Sessions, McCoy & Granger

[57] CLAIM

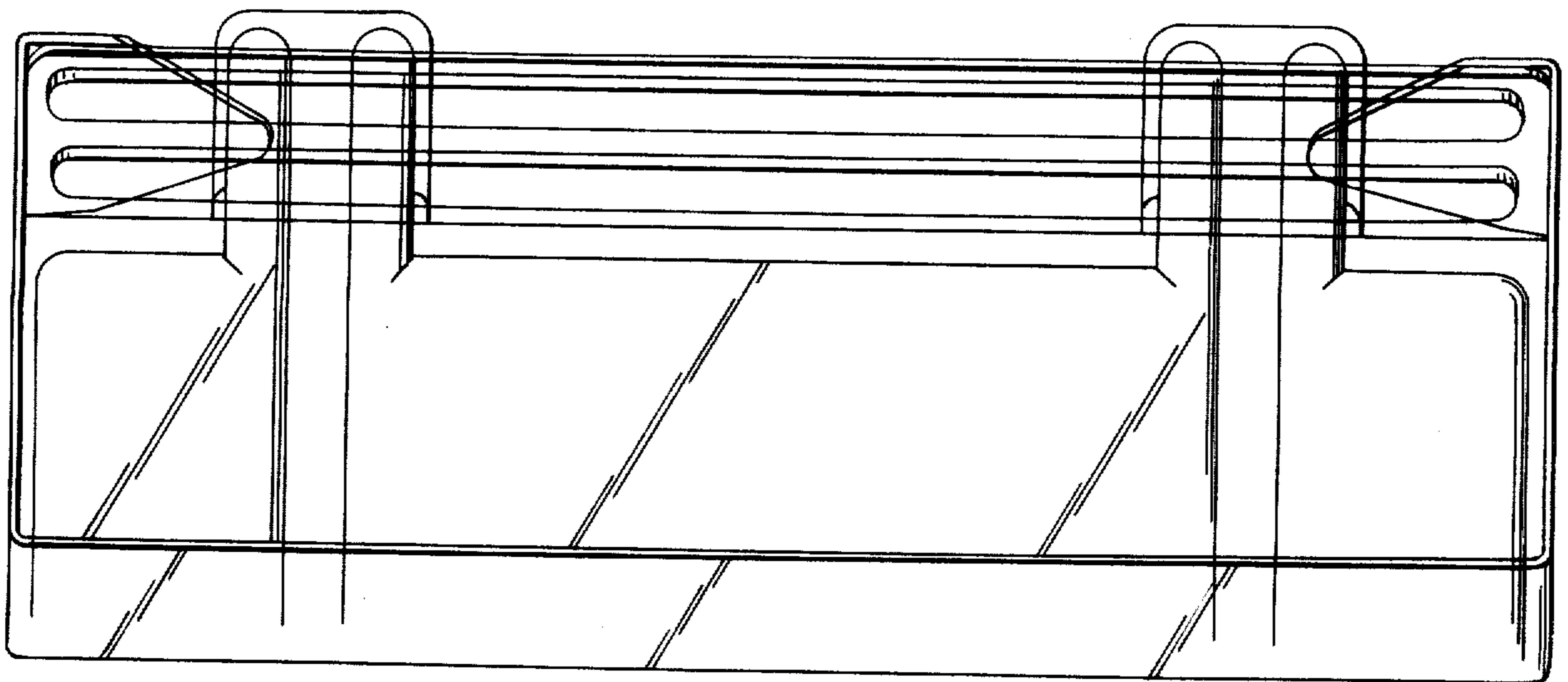
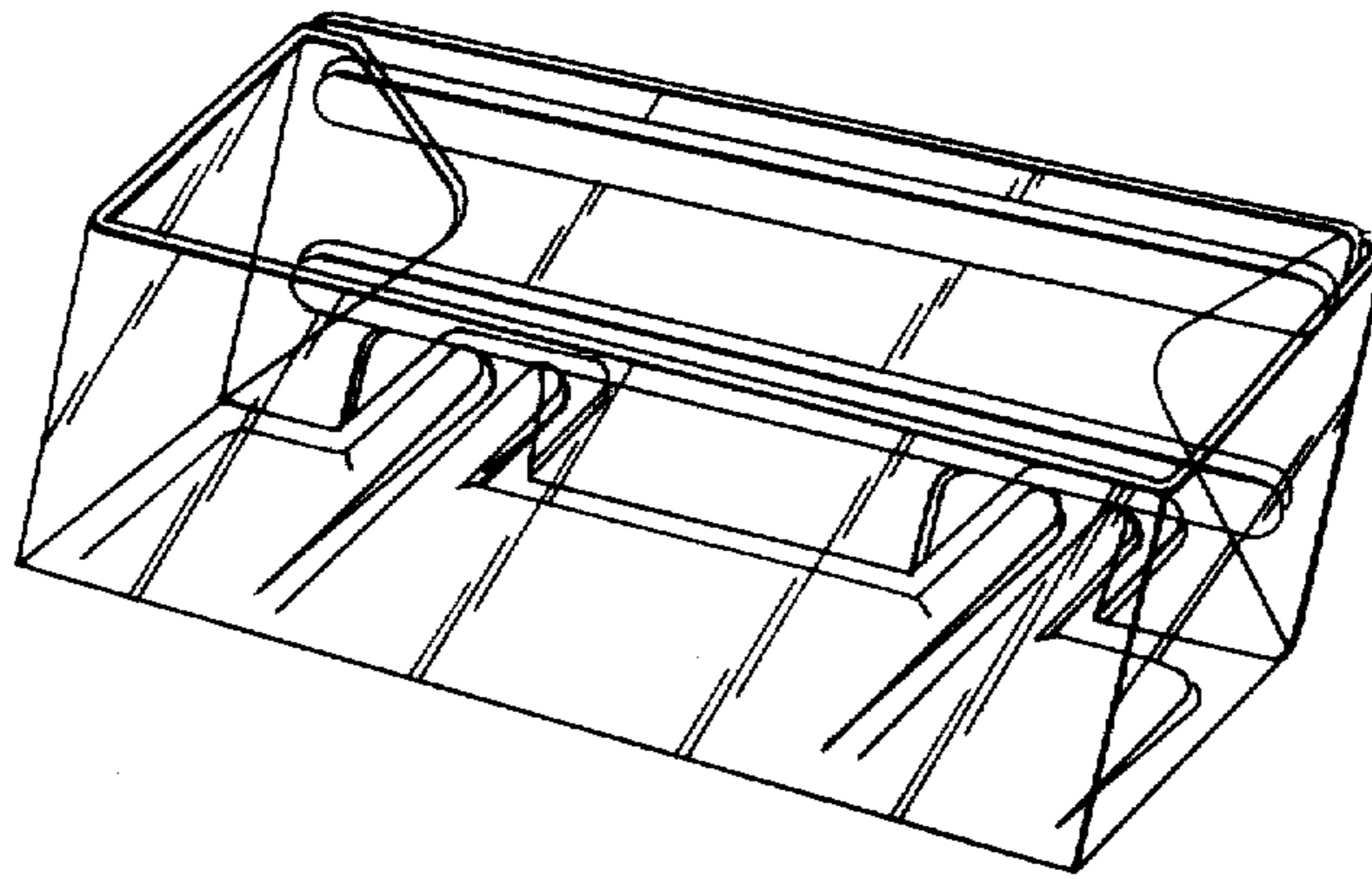
The ornamental design for a display holder for cards and the like, as shown and described.

DESCRIPTION

FIG. 1 is a perspective view of a display holder for cards and the like showing my new design; FIG. 2 is an enlarged top plan view thereof; and FIG. 3 is an enlarged right side elevational view, the opposite side being a mirror image thereof.

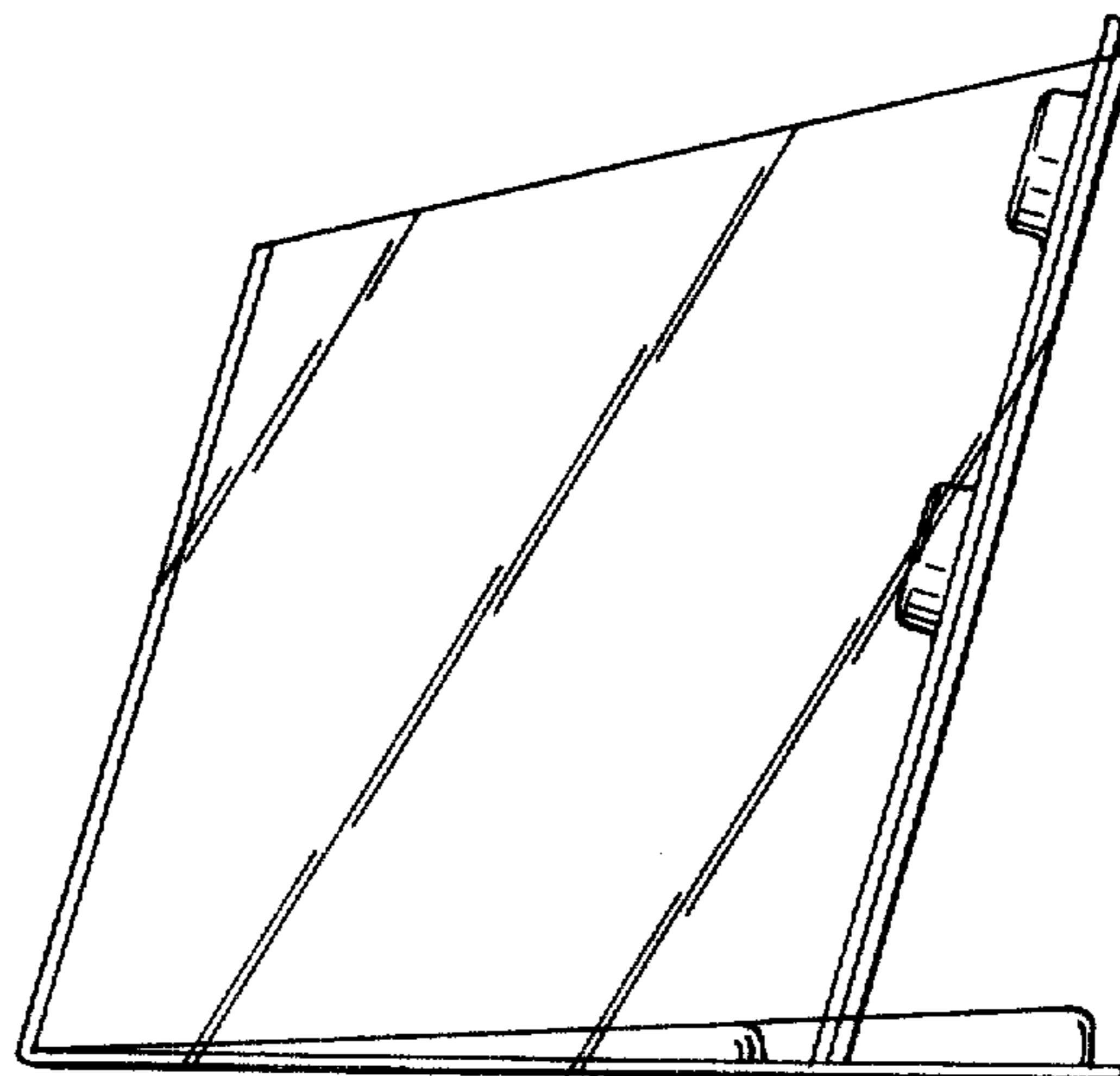


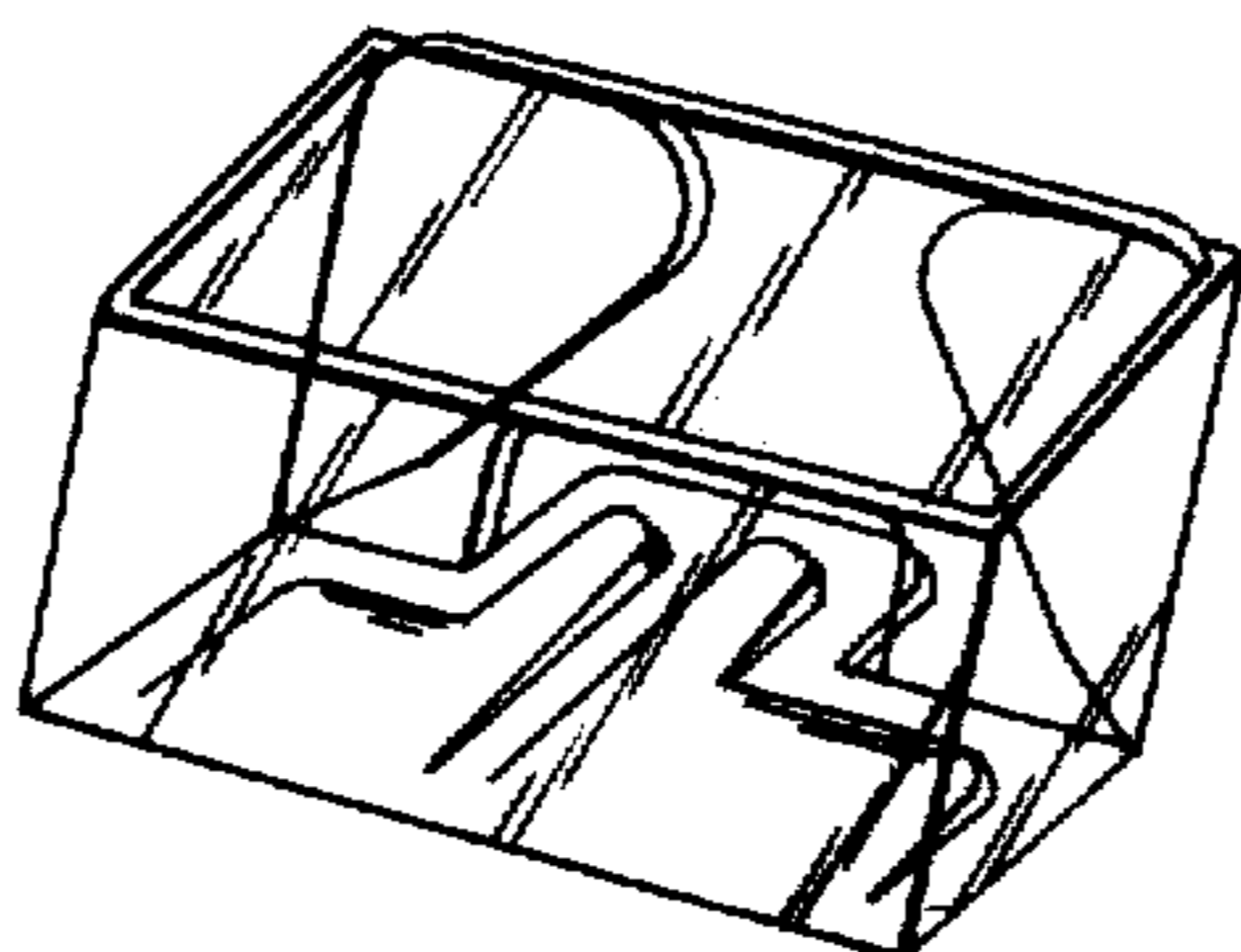
*Fig. 1*



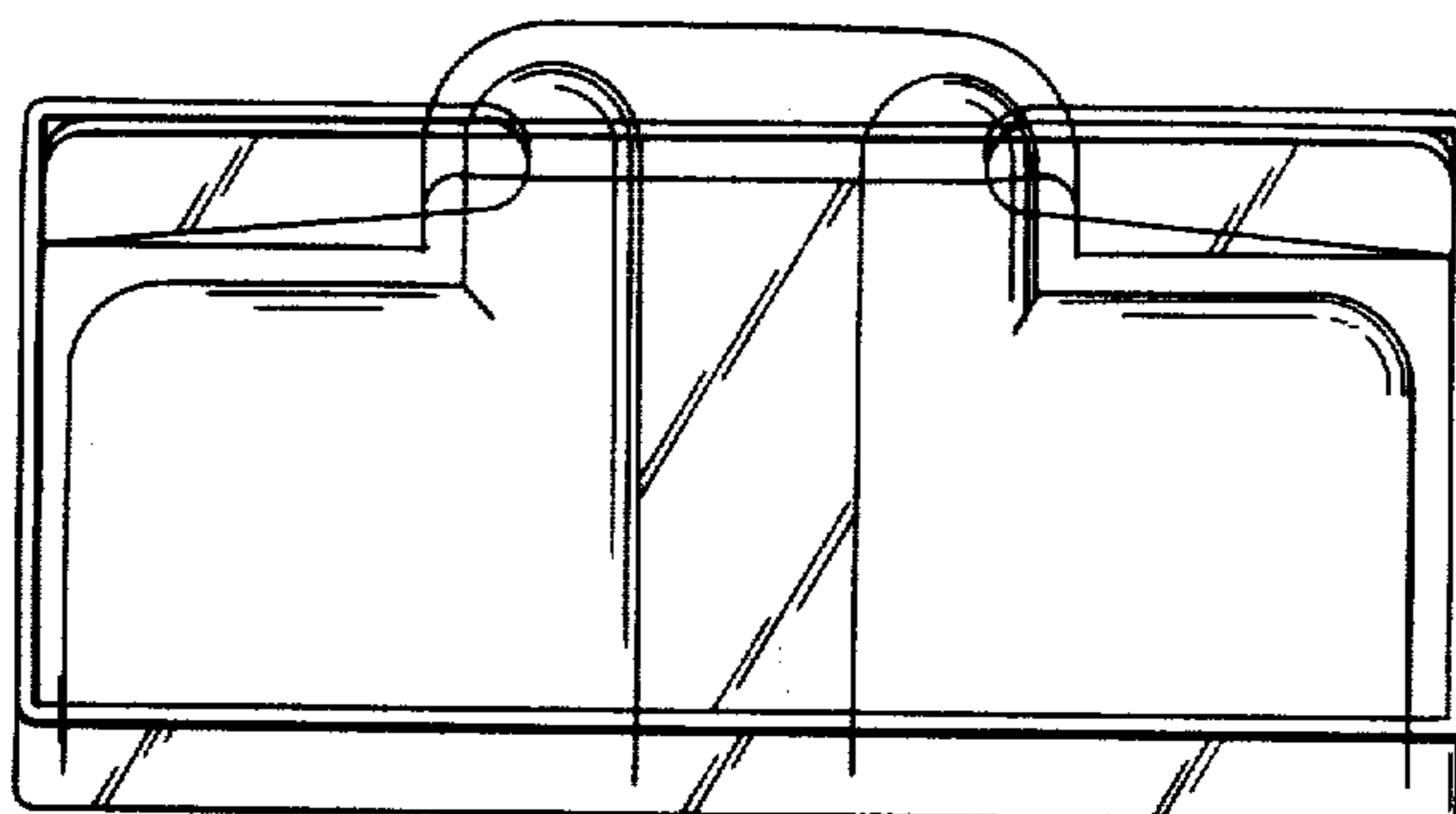
*Fig. 2*

*Fig. 3*

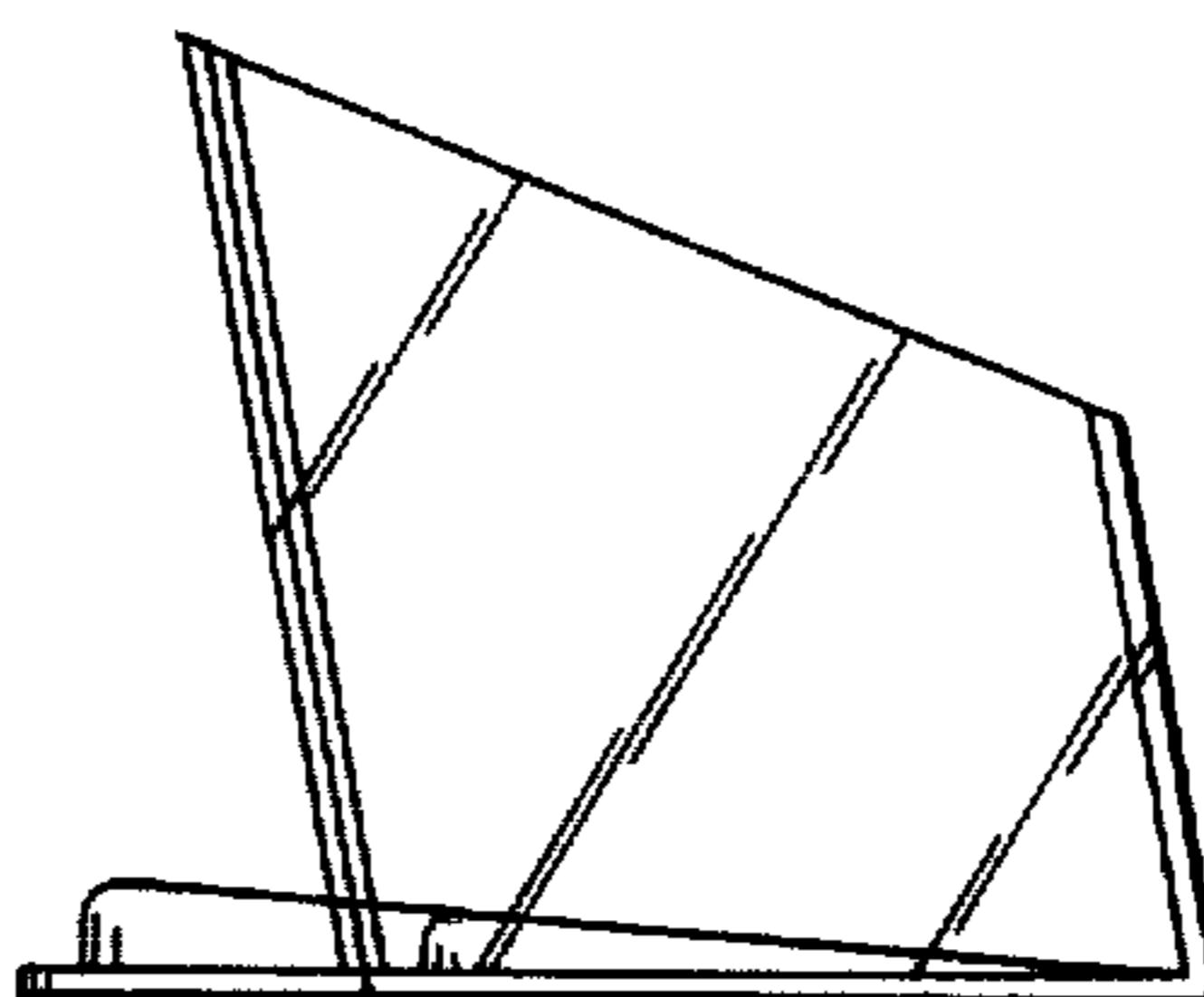




*Fig. 4*



*Fig. 5*



*Fig. 6*