

- [54] SEAT
- [75] Inventor: Roger L. Webb, London, England
- [73] Assignee: Antocks Lairn Limited, London, England
- [**] Term: 14 Years
- [21] Appl. No.: 129,758
- [22] Filed: Mar. 12, 1980
- [30] Foreign Application Priority Data
 Sep. 14, 1979 [GB] United Kingdom 991576
- [51] Int. Cl. D6—01
- [52] U.S. Cl. D6/67
- [58] Field of Search D6/47-78,
 D6/37-39

[56] References Cited

U.S. PATENT DOCUMENTS

- D. 174,828 5/1955 Michlin D6/63
- D. 175,701 9/1955 Wilson D6/63
- D. 179,829 3/1957 Wilson D6/63
- D. 225,624 7/1980 Mosca D6/63 X

D. 256,634 9/1980 Nash D6/63

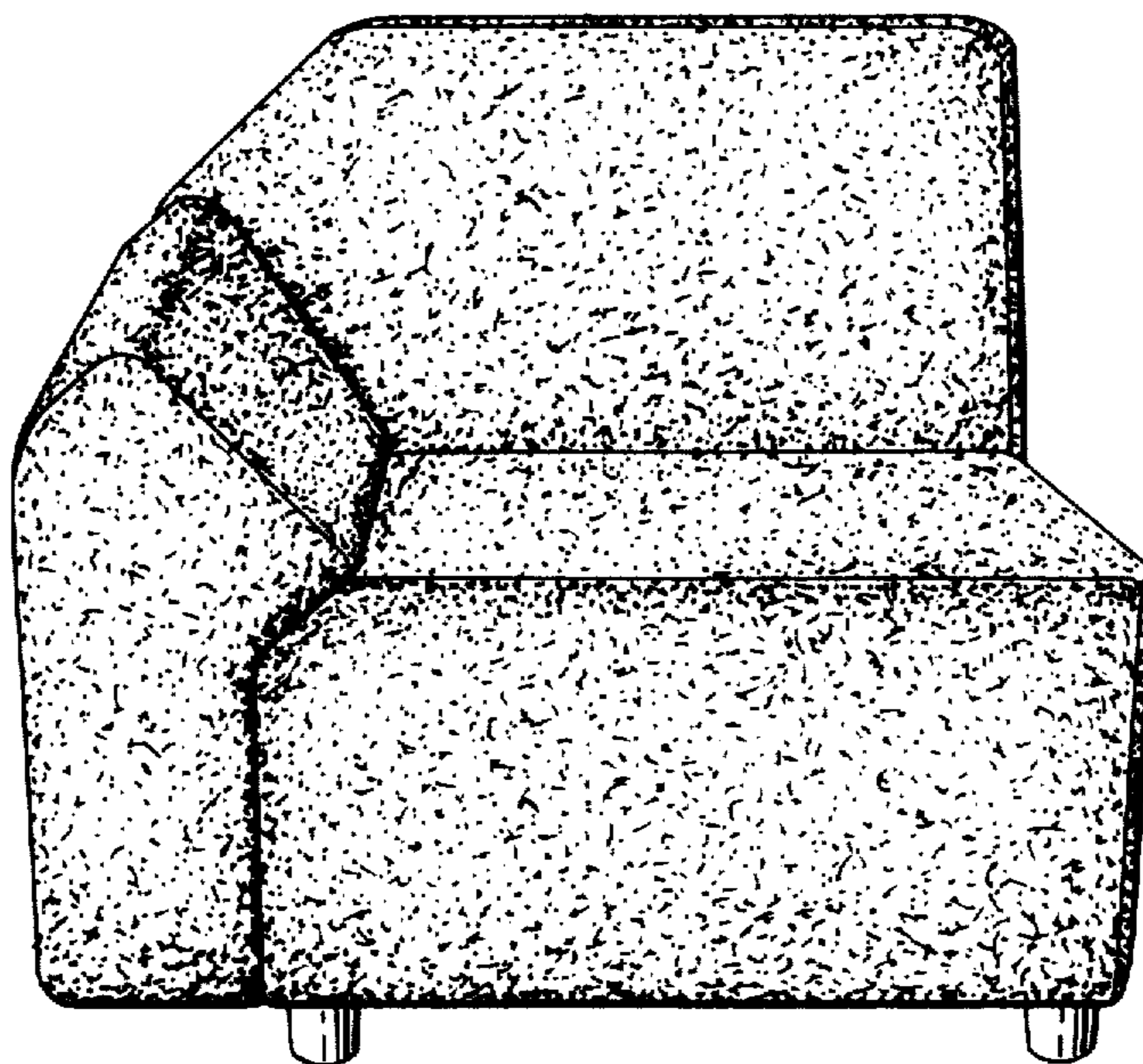
Primary Examiner—Bruce W. Dunkins
Attorney, Agent, or Firm—Cook, Wetzel & Egan, Ltd.

[57] CLAIM

The ornamental design for a seat, substantially as shown and described.

DESCRIPTION

FIG. 1 is a front perspective view of right hand seating unit;
 FIG. 2 is a side perspective view of right hand unit;
 FIG. 3 is a perspective view showing front and side of right hand unit;
 FIG. 4 is a perspective view showing side and rear of right hand unit;
 FIG. 5 is a perspective view showing the front and side of a modified version of the seating unit shown in FIGS. 1-4 for use as a left hand seating unit.
 FIG. 6 is a perspective view showing the side and rear of the seating unit illustrated in FIG. 5;
 FIG. 7 is a front perspective view of the seating unit illustrated in FIG. 5; and
 FIG. 8 is a side perspective view of the seating unit illustrated in FIG. 5.



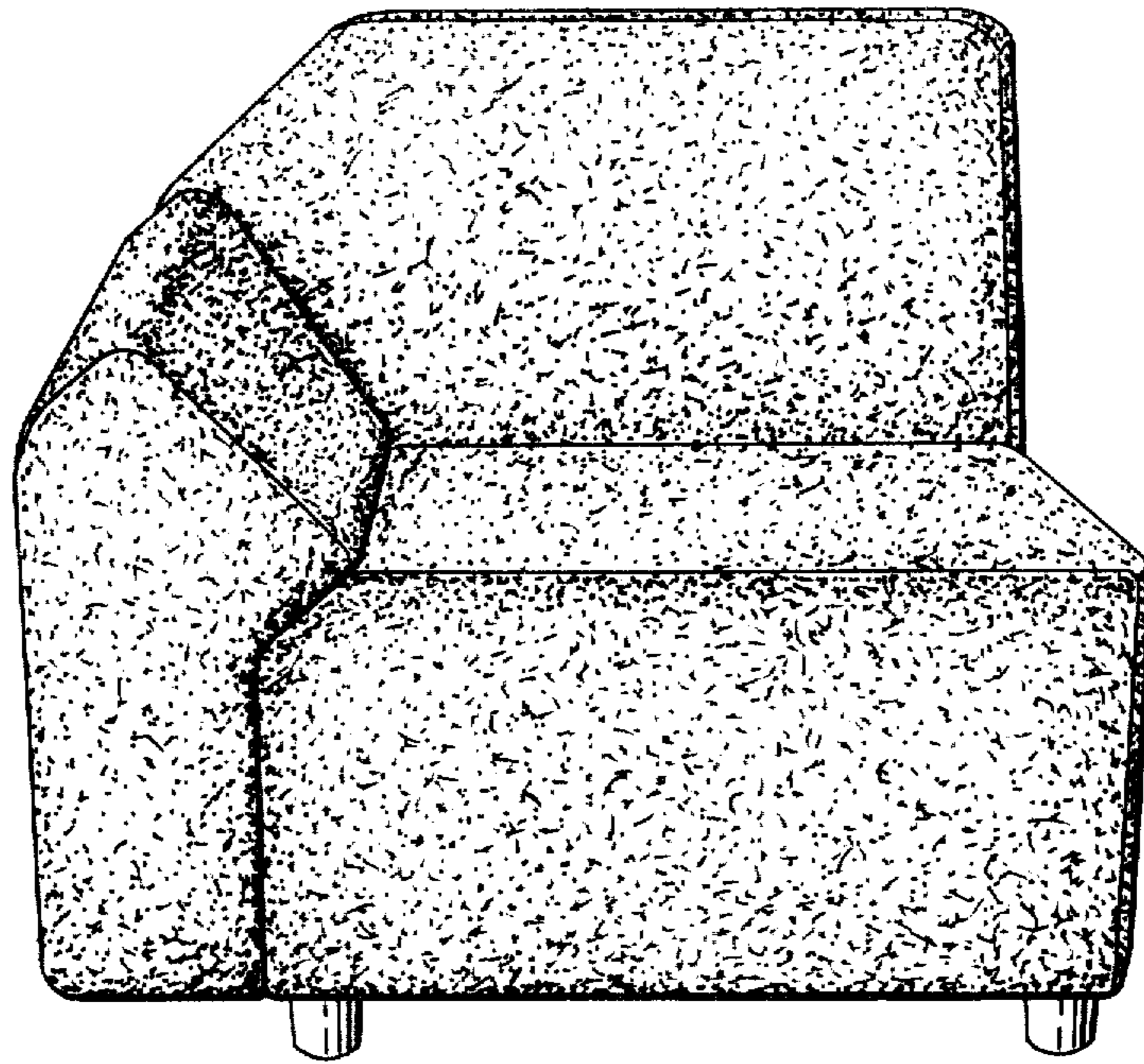


FIG. 1.

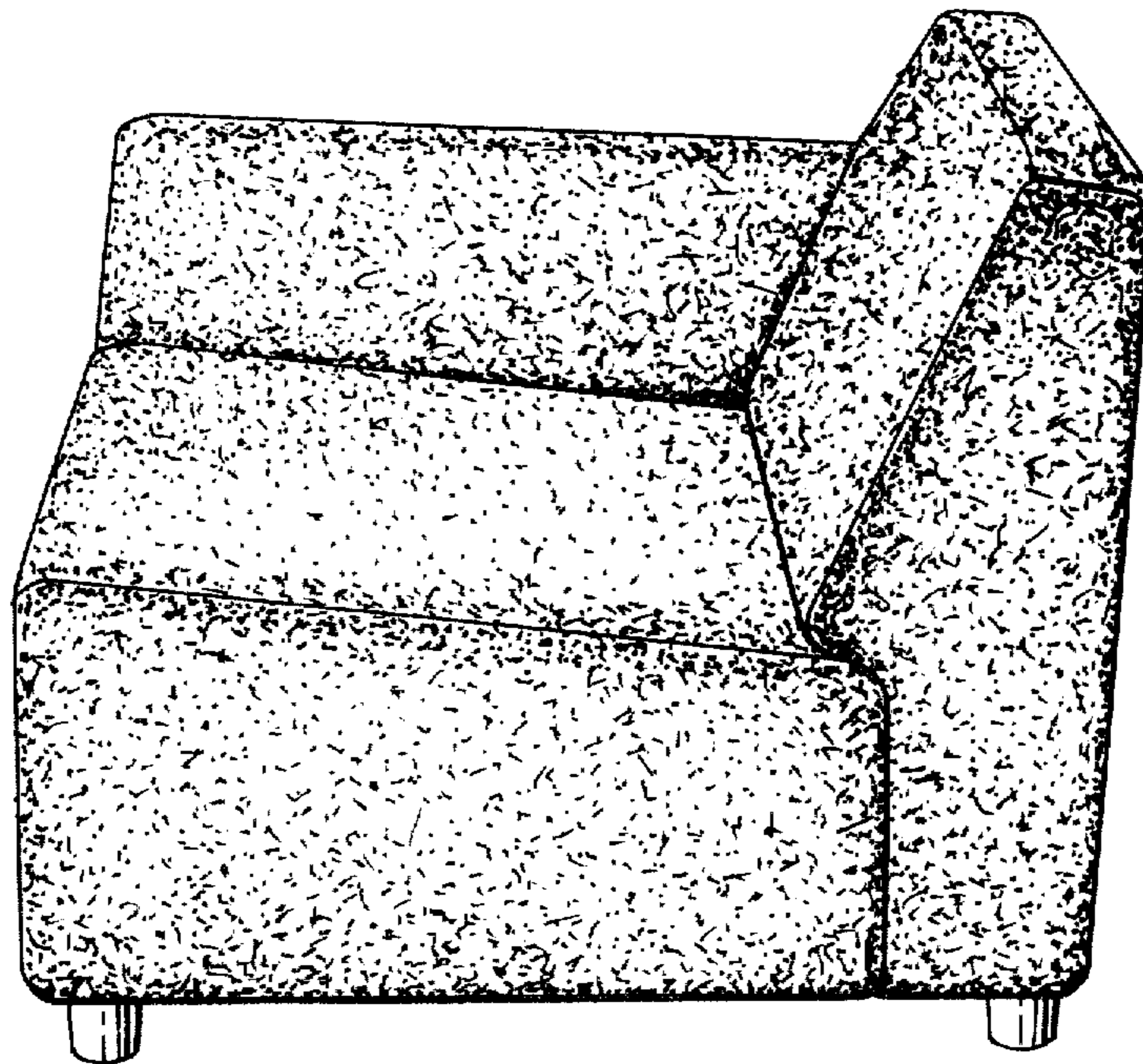


FIG. 2.

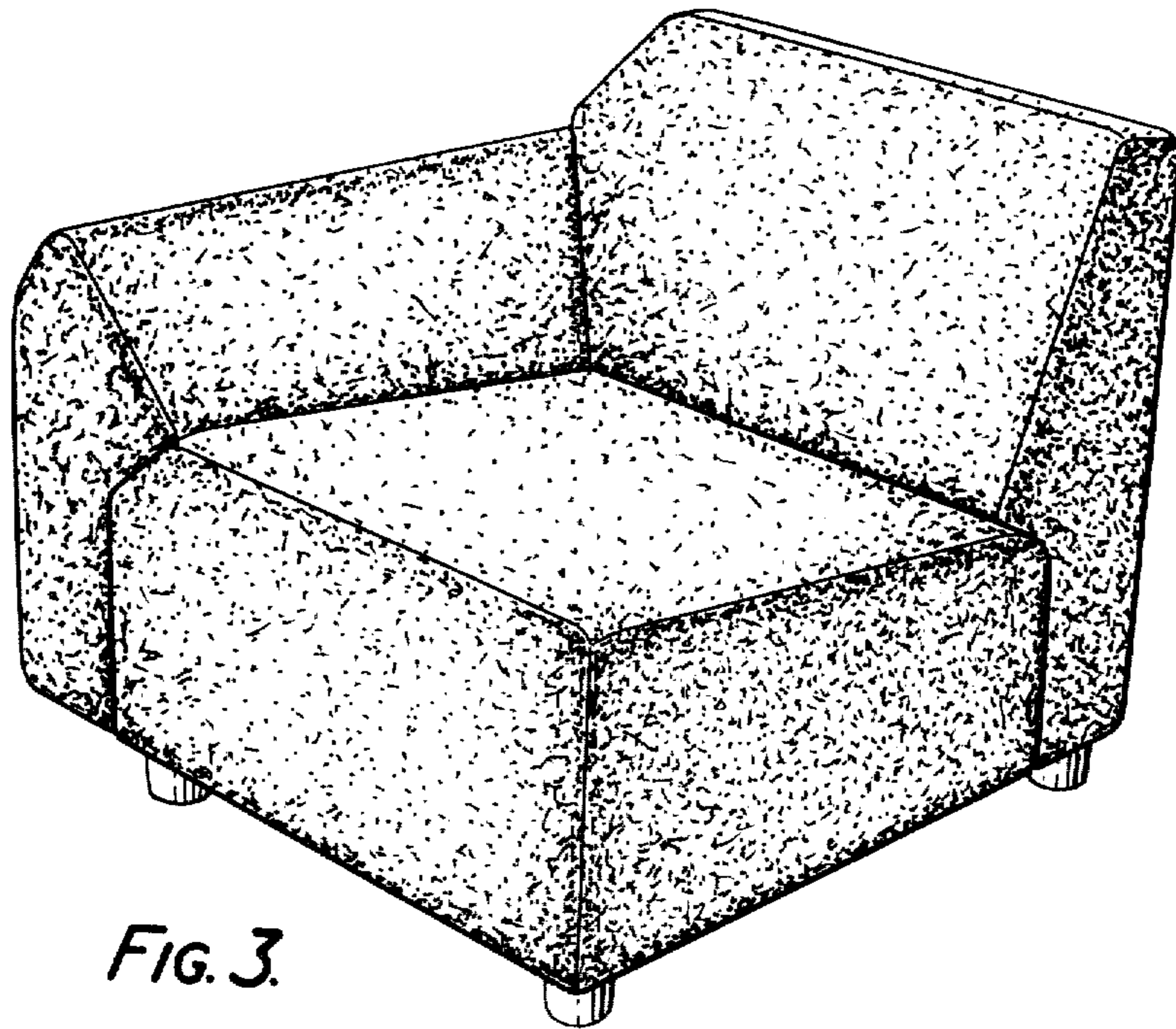


FIG. 3.

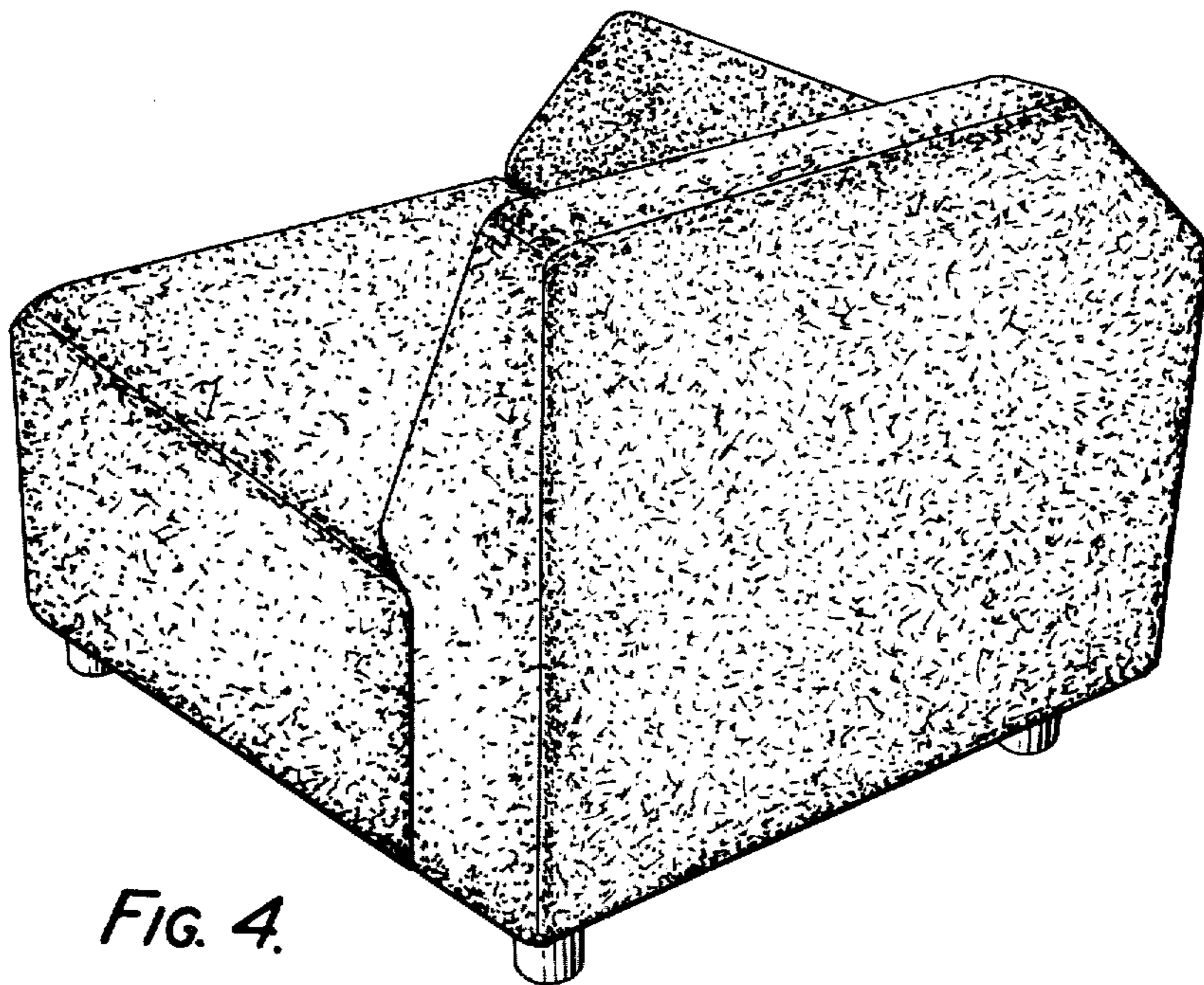


FIG. 4.

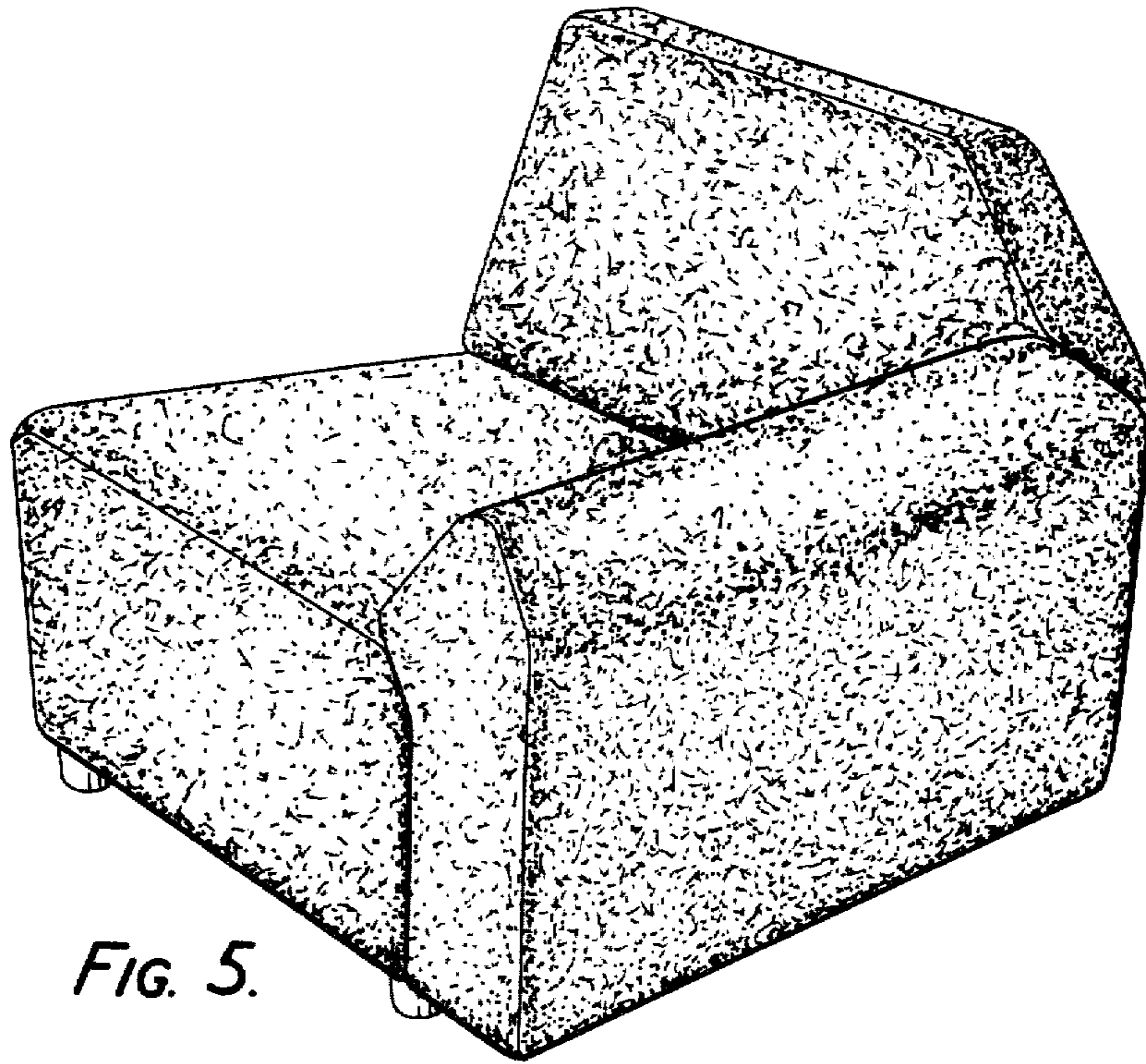


FIG. 5.

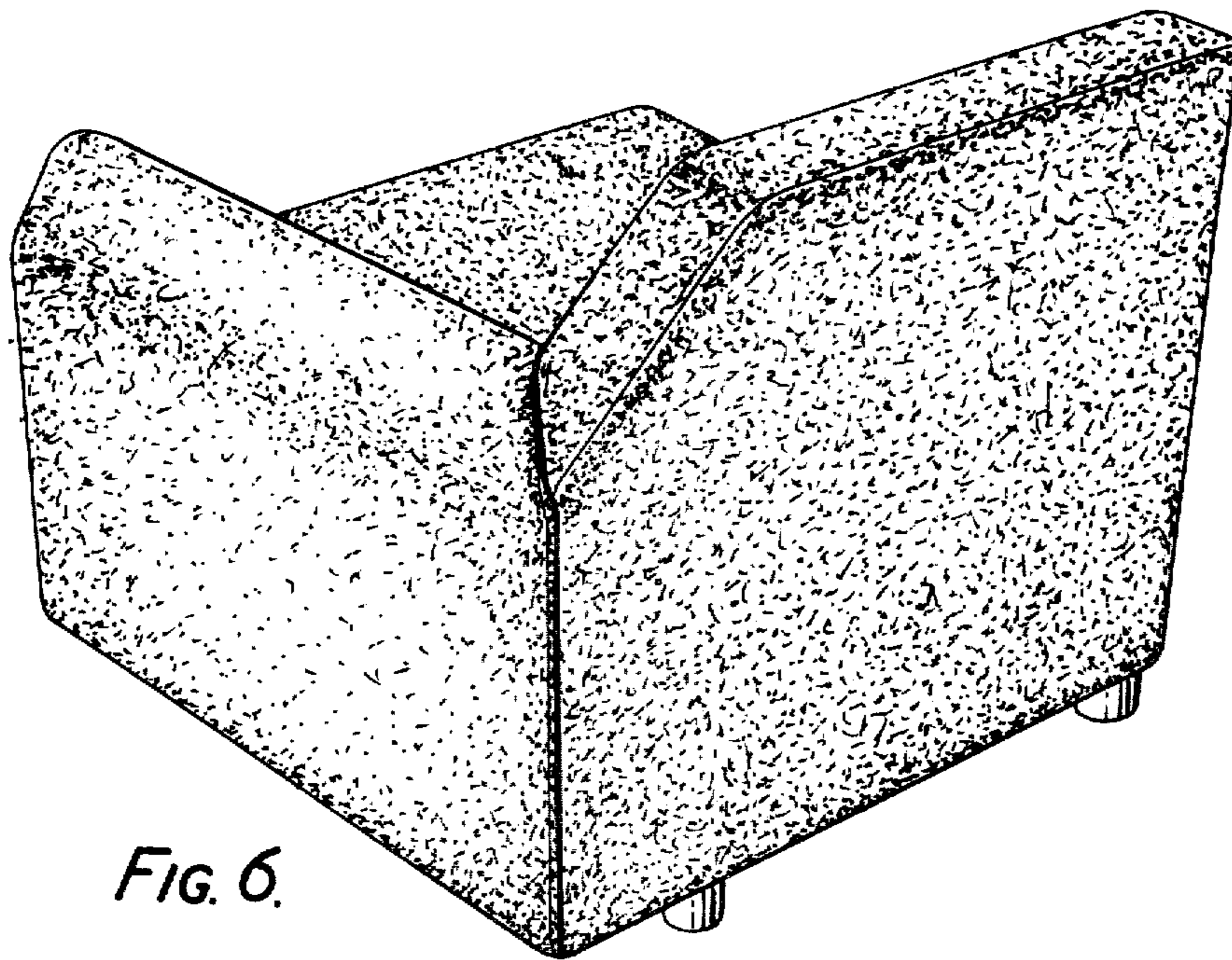


FIG. 6.

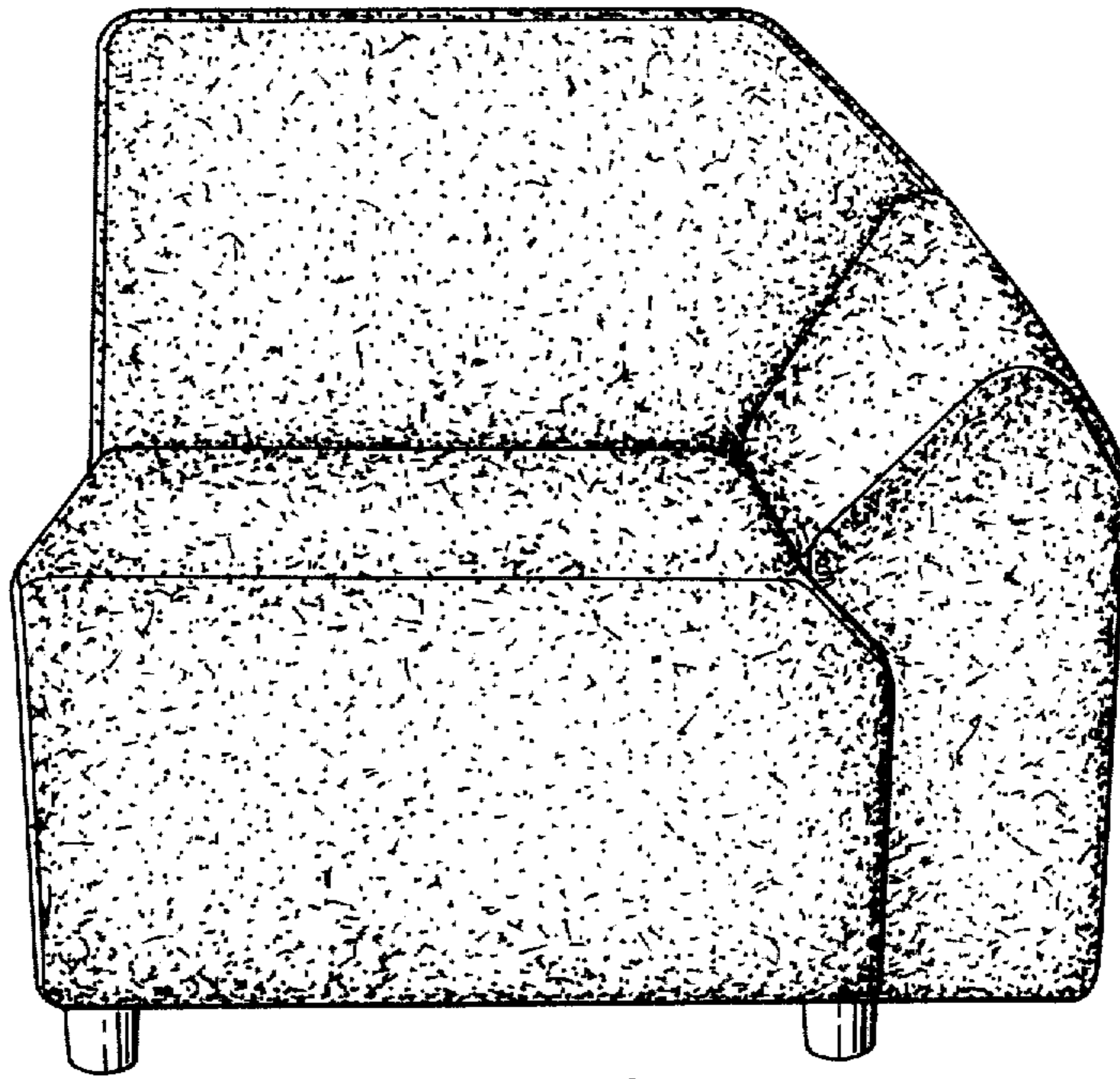


FIG. 7.

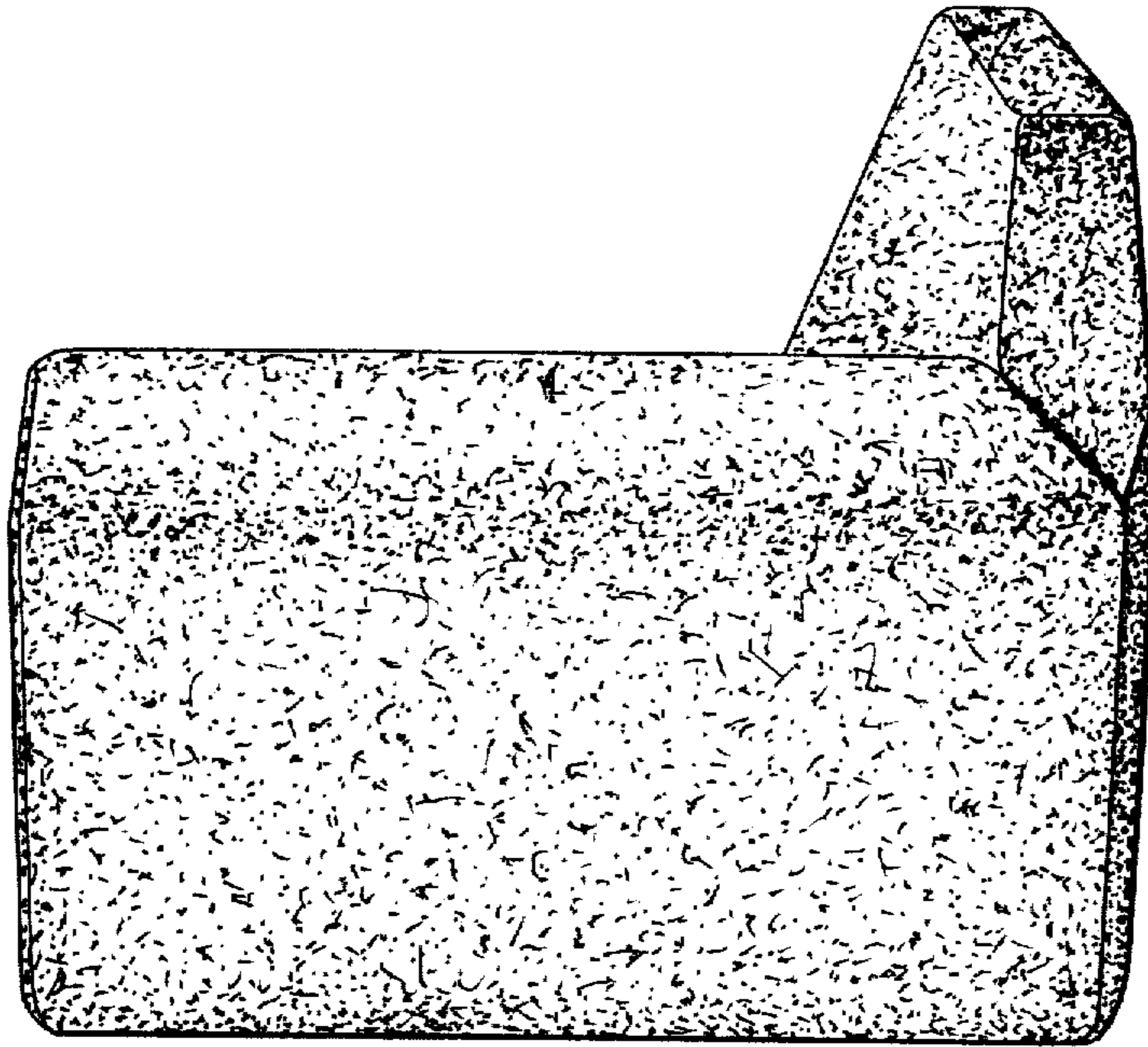


FIG. 8.