

[54] LUGGAGE

[75] Inventor: Ted Stark, Montclair, N.J.
[73] Assignee: M & M Luggage Co., Inc., Jersey City, N.J.

[**] Term: 14 Years

[21] Appl. No.: 197,778

[22] Filed: Oct. 17, 1980

[51] Int. Cl. D3-01

[52] U.S. Cl. D3/71; D3/77

[58] Field of Search D3/30.1, 71, 76, 77; 190/41 R, 41 B, 41 C, 41.2, 57, 43; 150/1

[56] References Cited

U.S. PATENT DOCUMENTS

D. 242,183 11/1976 Davis D3/71
4,261,448 4/1981 Myers 190/43

OTHER PUBLICATIONS

Luggage & Leather Goods, 10/67, p. 27.
Luggage & Travelware, 4/77, p. 5. Item "A".
Luggage & Travelware, 7/79, p. 12, Item "A".

Primary Examiner—George P. Word
Attorney, Agent, or Firm—Hubbell, Cohen, Stiefel & Gross

[57] CLAIM

The ornamental design for luggage, as shown.

DESCRIPTION

FIG. 1 is a front elevational view of luggage showing my new design;
FIG. 2 is a rear elevational view thereof;
FIG. 3 is a top plan view thereof;
FIG. 4 is a bottom plan view thereof;
FIG. 5 is a left side elevational view thereof; and
FIG. 6 is a right side elevational view thereof.

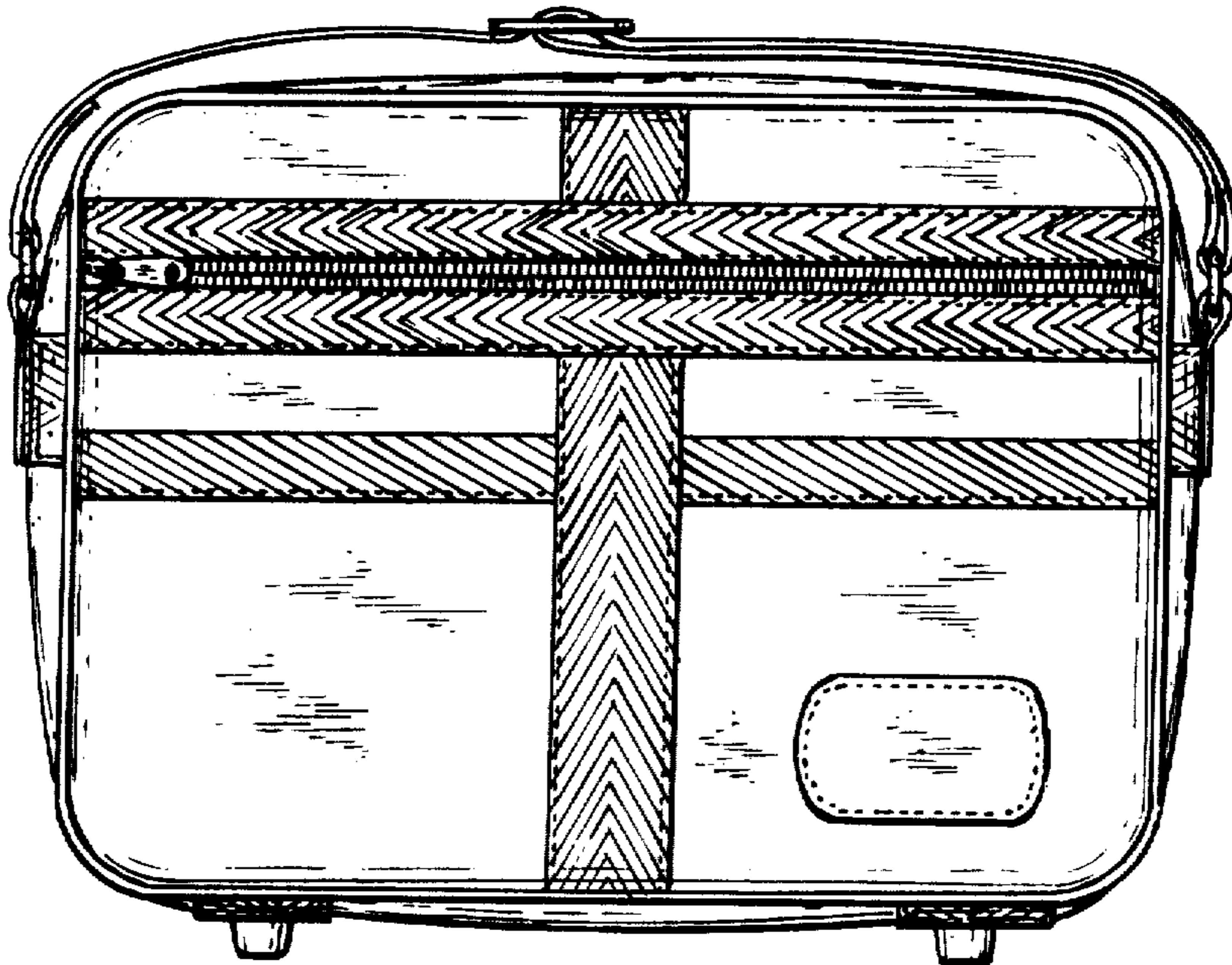


FIG. 1.

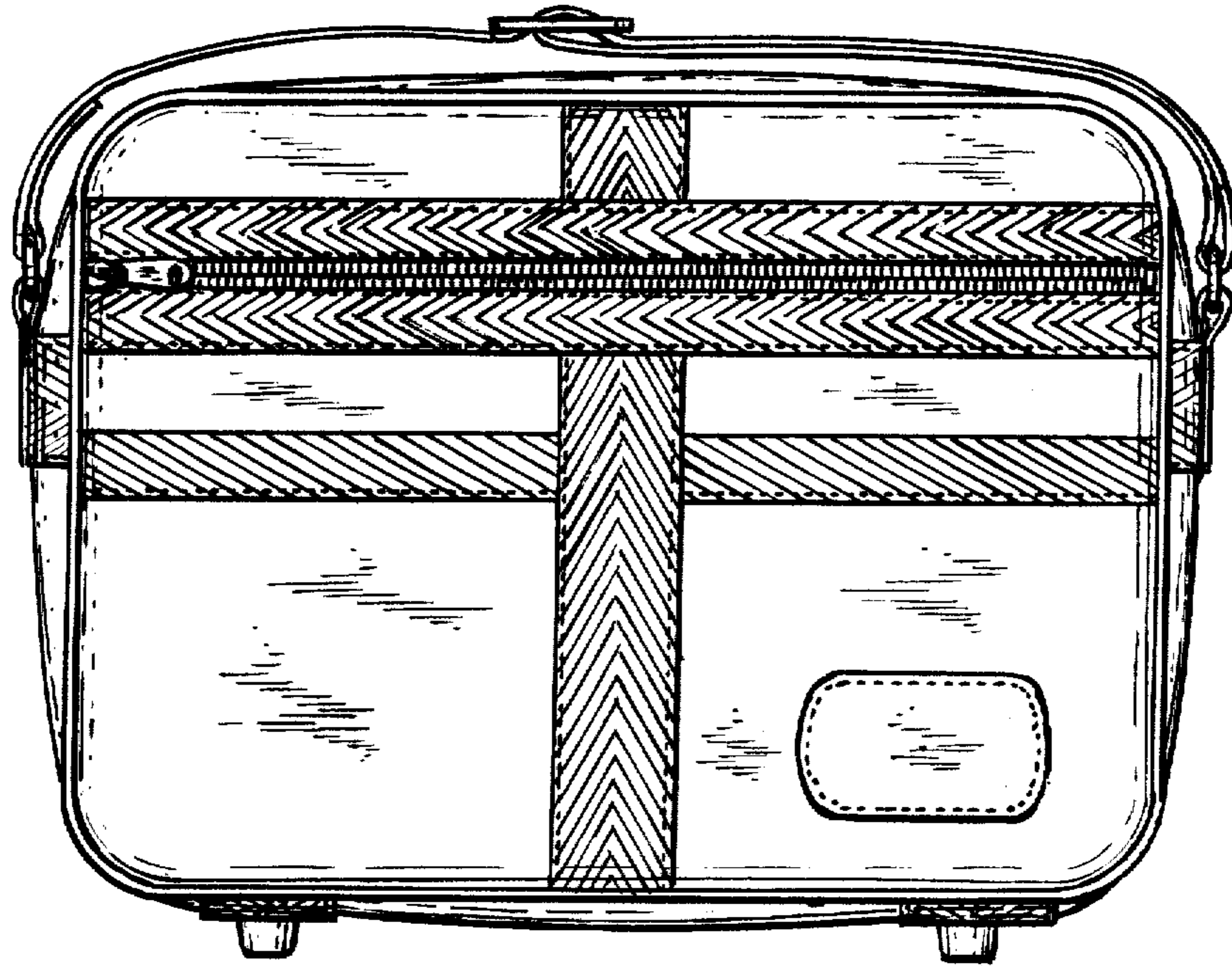


FIG. 2.

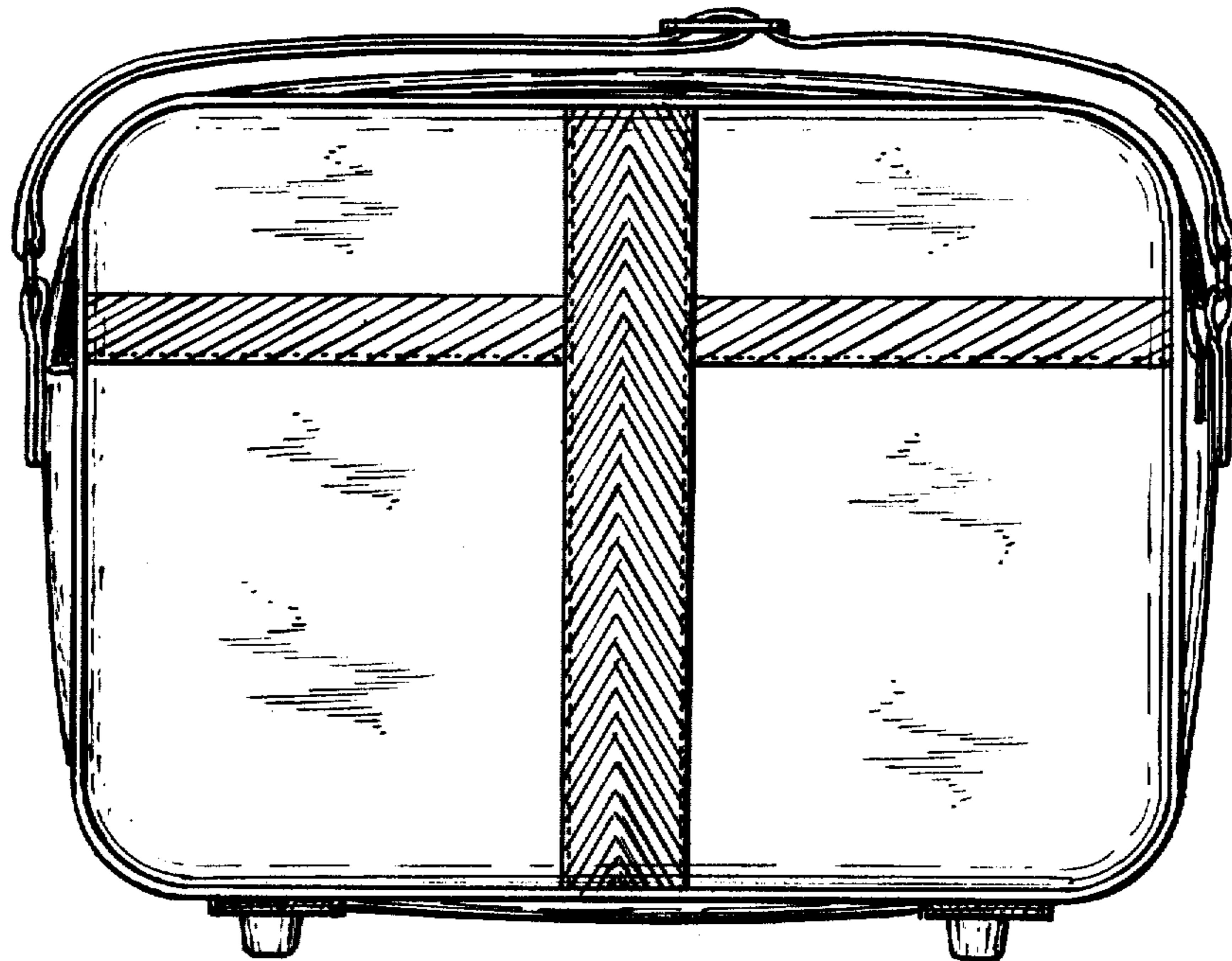


FIG. 3.

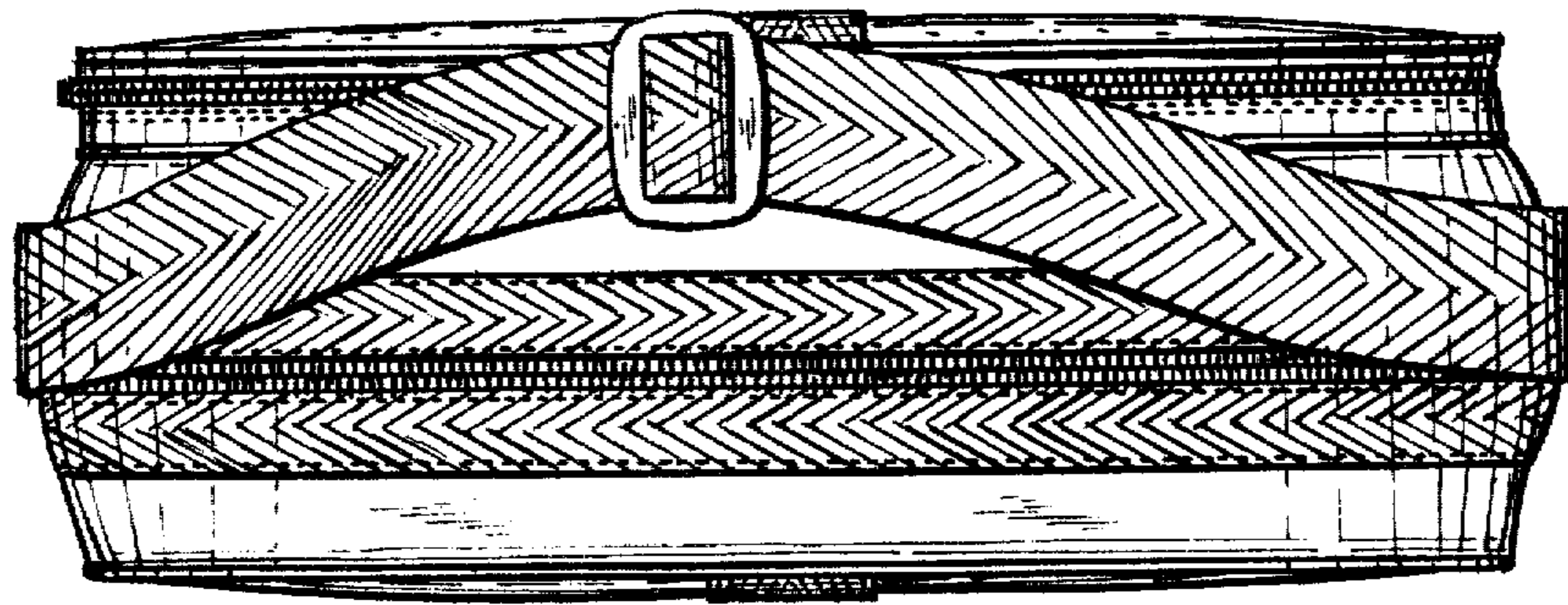


FIG. 4.

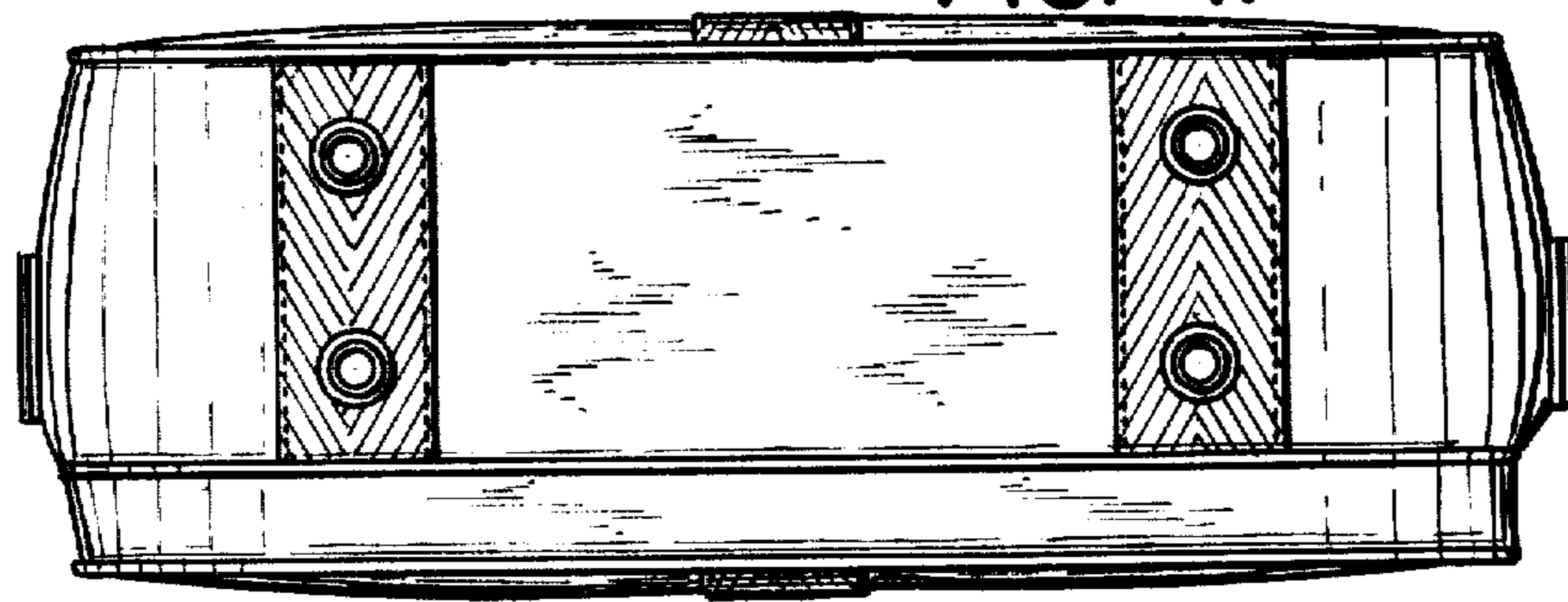


FIG. 5.

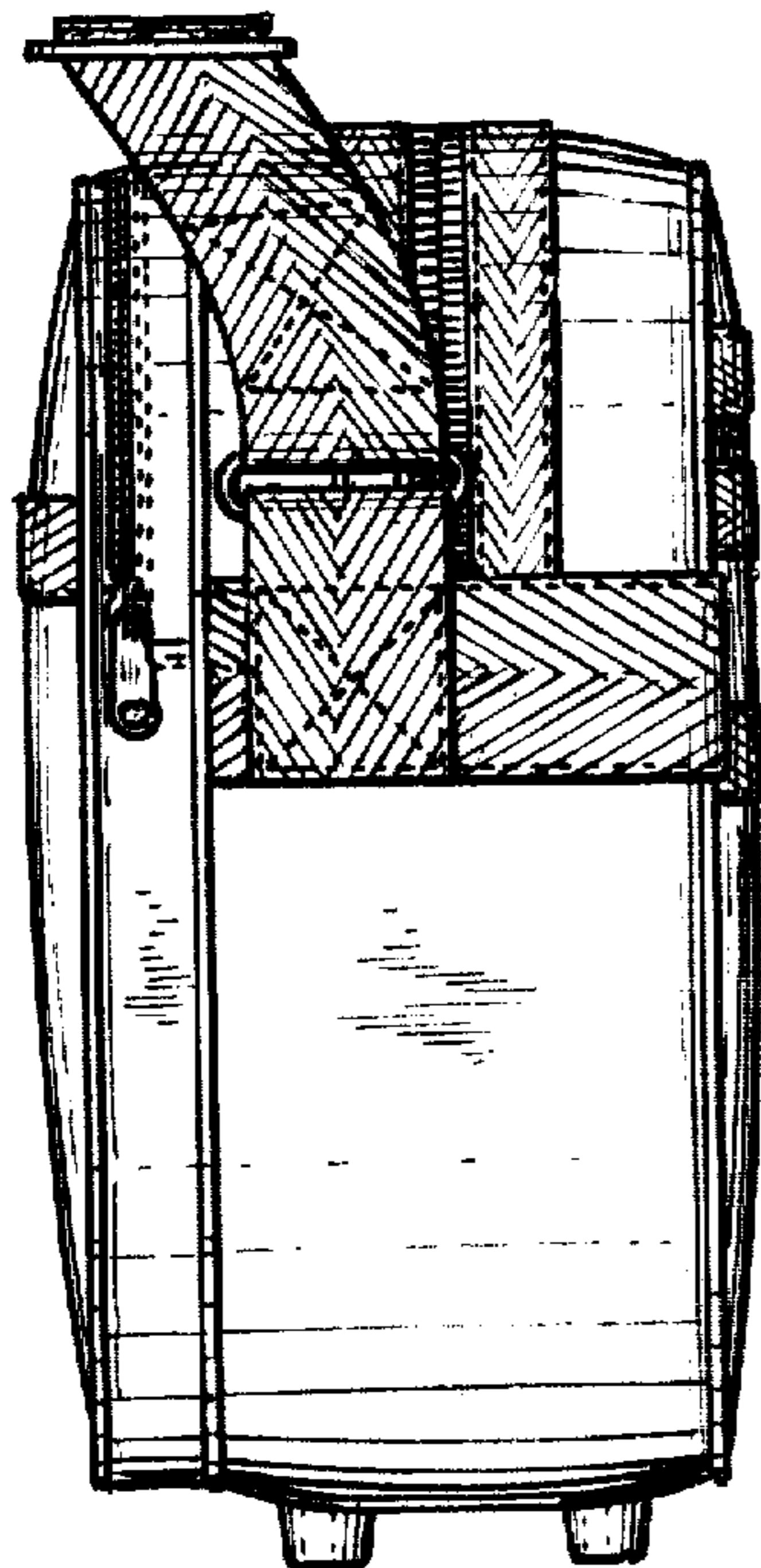


FIG. 6.

