

[54] DOG HURDLE

[76] Inventor: Robert B. Koenig, P.O. Box 941, Redmond, Wash. 98052

[**] Term: 14 Years

[21] Appl. No.: 122,127

[22] Filed: Feb. 19, 1980

[51] Int. Cl. D30-99

[52] U.S. Cl. D30/42; D21/199

[58] Field of Search D30/42; D21/199; 119/29; 272/101, 102, 103

[56] References Cited

U.S. PATENT DOCUMENTS

D. 175,468 8/1955 Holmes D21/199

D. 236,513	8/1975	Palmer	D30/42
2,279,539	4/1942	Vogt et al.	119/29
2,827,116	3/1958	Zalovick	119/29
3,123,046	3/1964	Bieber	119/29
3,584,604	6/1971	Wegner	119/29
3,611,996	10/1971	Wegner	119/29
3,789,801	2/1974	Moreng	119/29

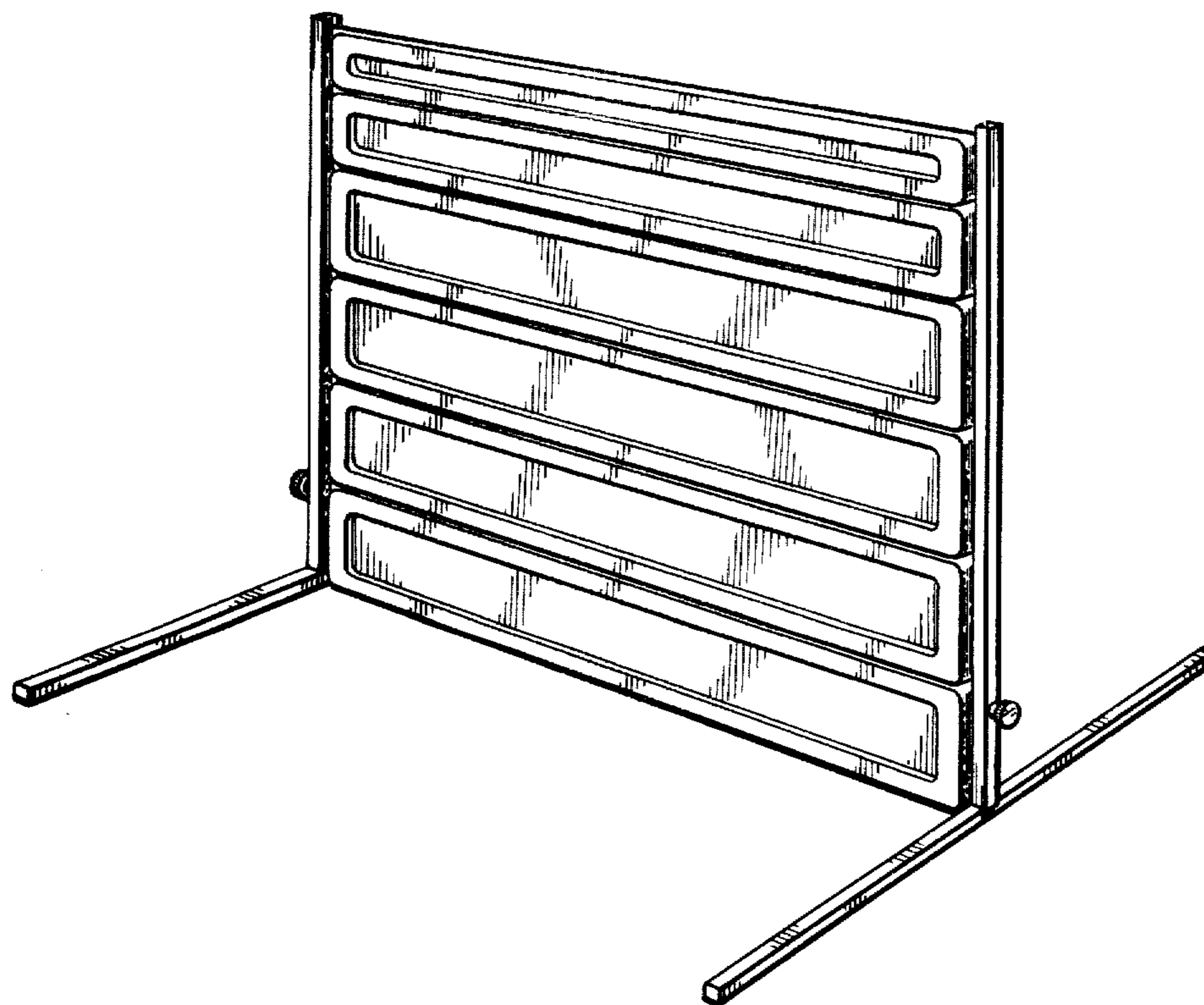
Primary Examiner—James R. Largen

[57] CLAIM

The ornamental design for a dog hurdle, as shown.

DESCRIPTION

FIG. 1 is a front perspective view of a dog hurdle embodying my new design; FIG. 2 is a front elevational view thereof; FIG. 3 is a right side elevational view thereof; and FIG. 4 is a rear elevational view thereof.



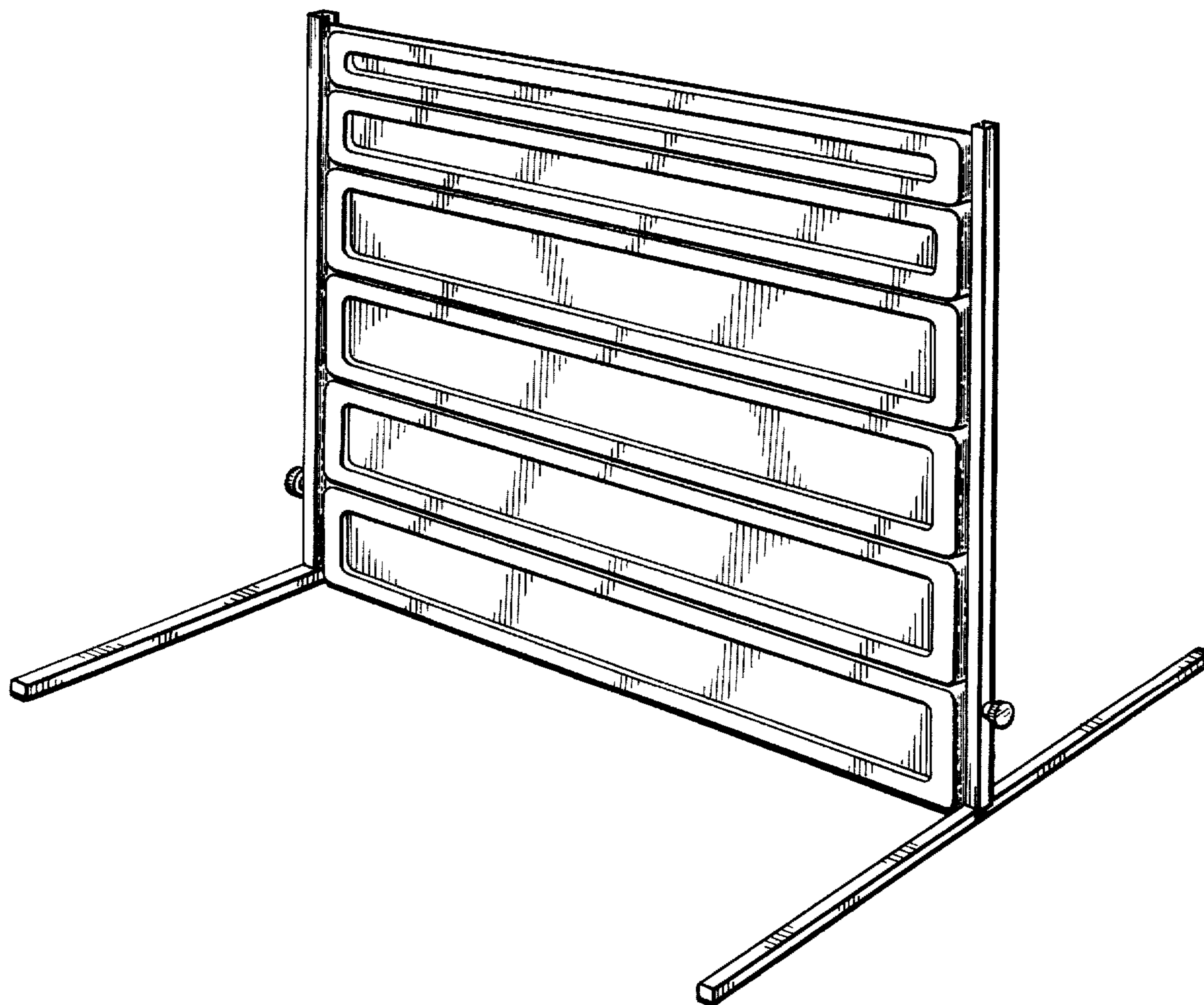


Fig. 1

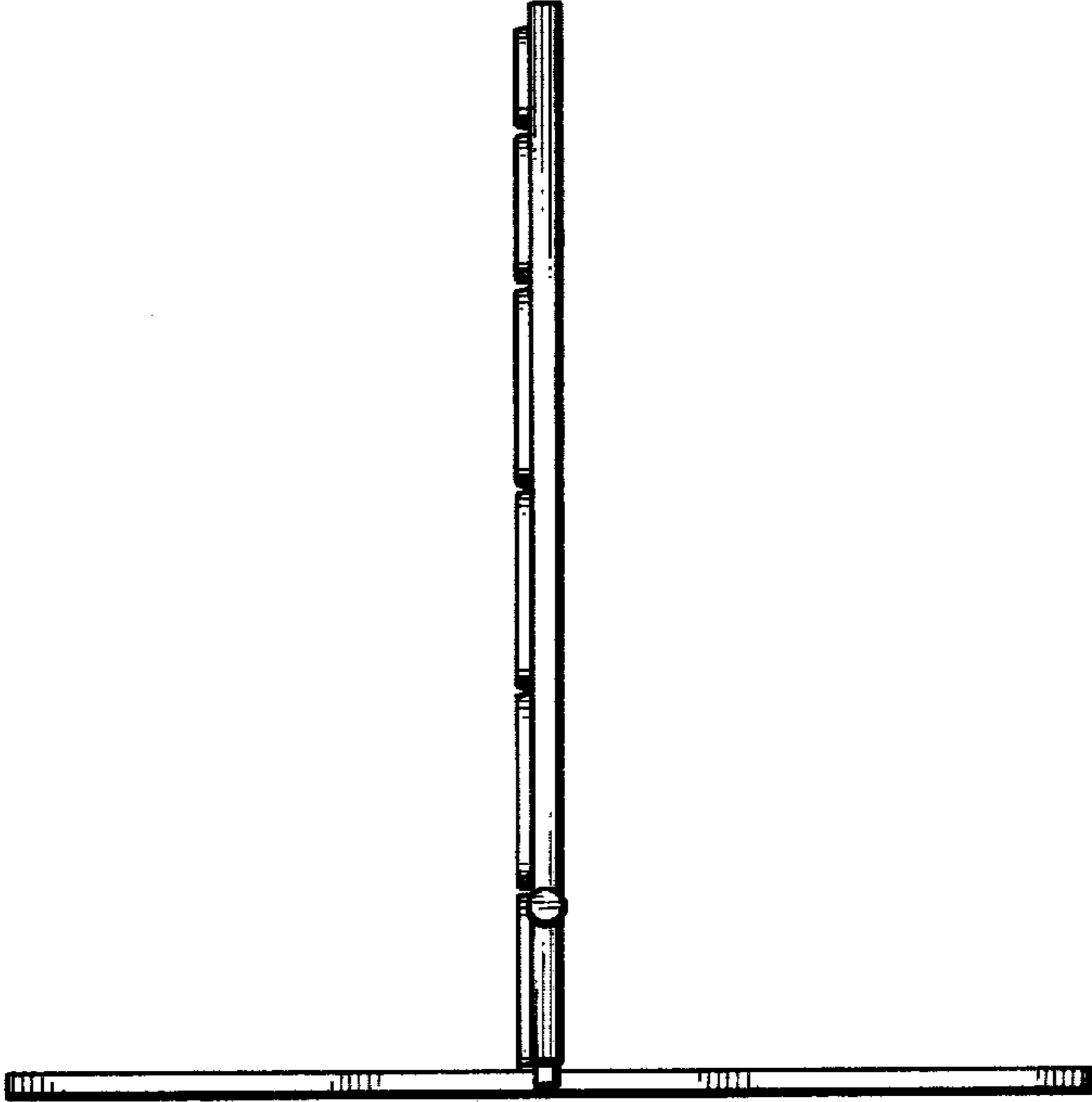


Fig. 3

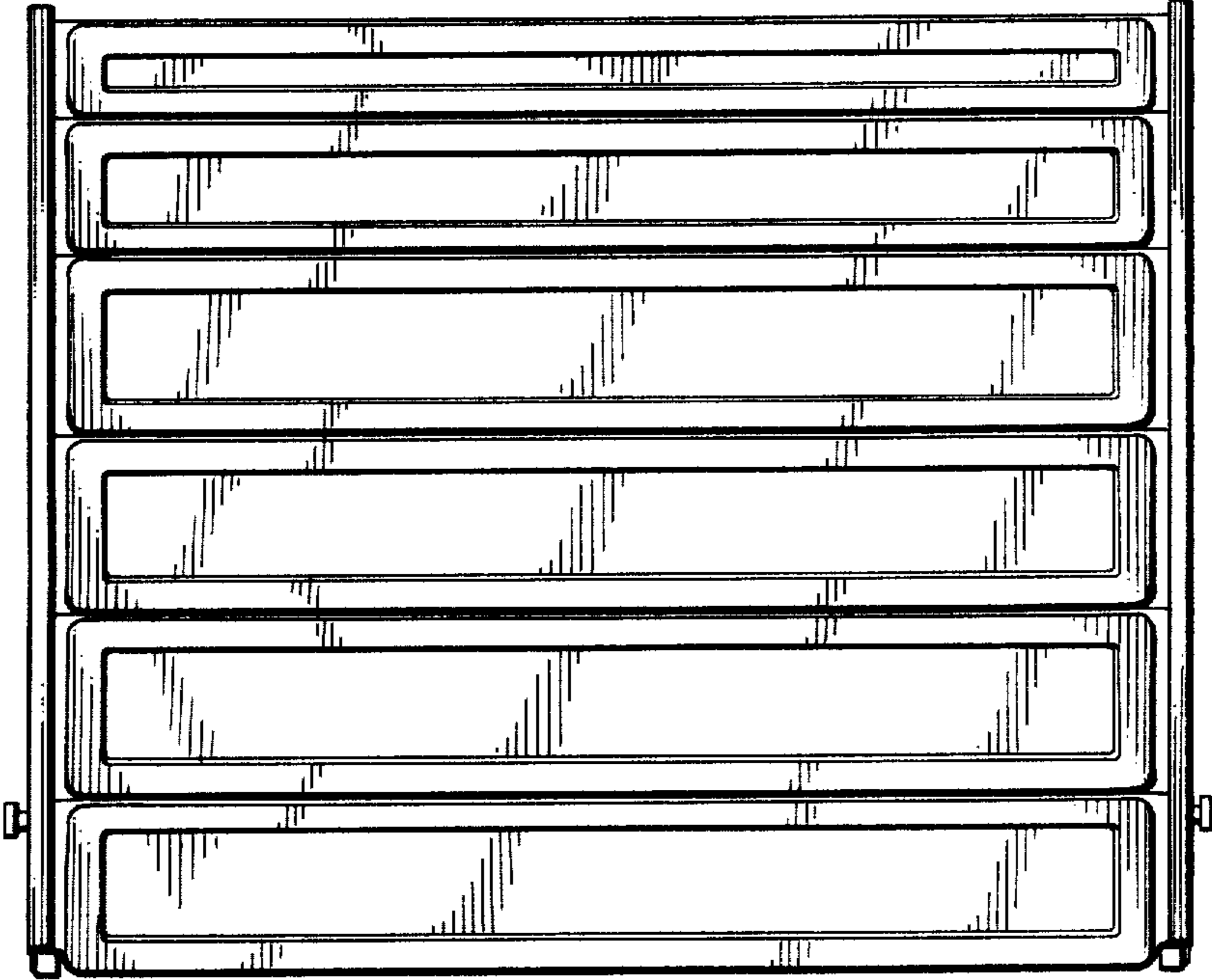


Fig. 2

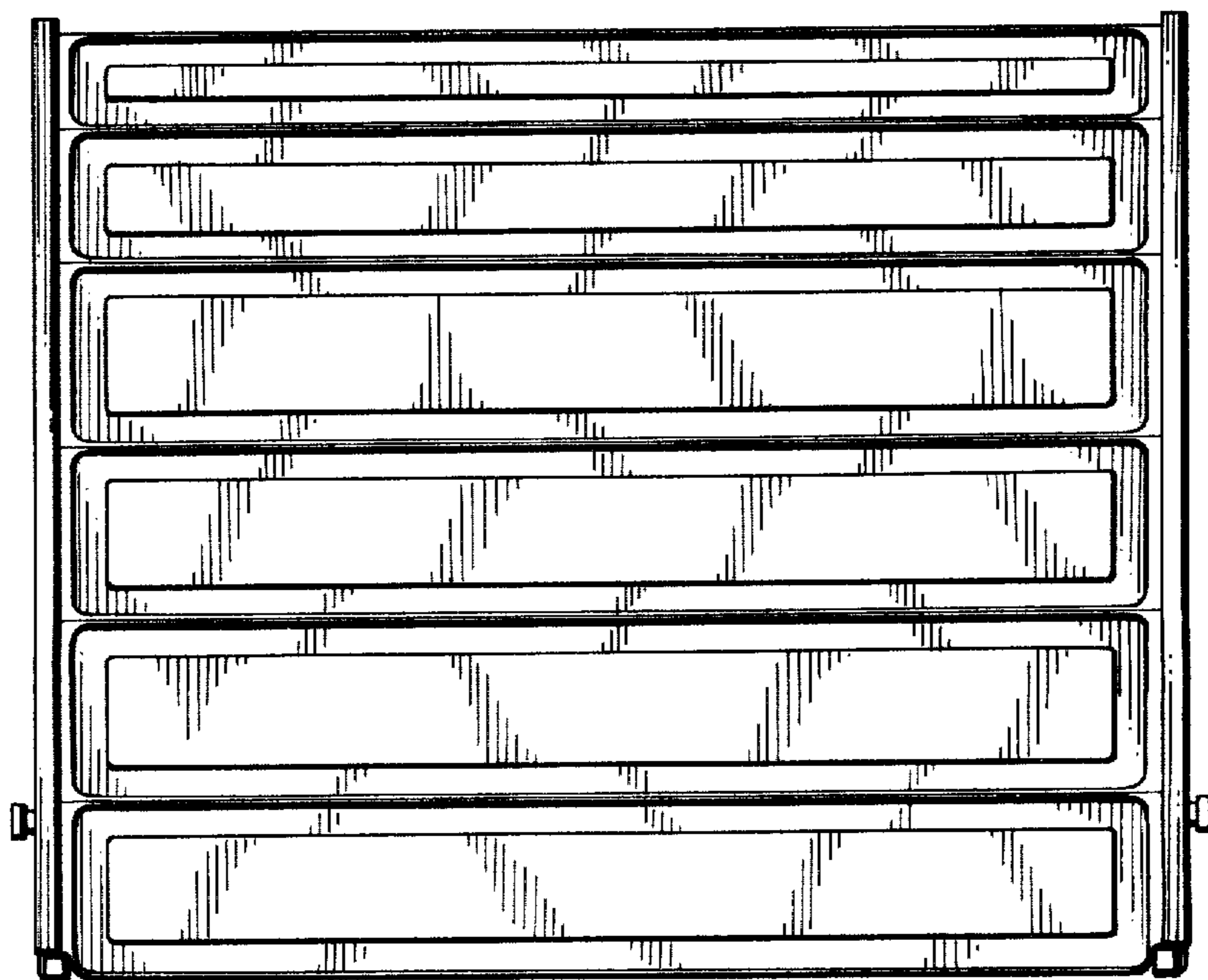


Fig. 4