

[54] **LAMP**

[75] Inventor: **Robert W. Eickmeyer**, New York, N.Y.  
[73] Assignee: **Estee Lauder Inc.**, New York, N.Y.  
[\*\*] Term: **14 Years**  
[21] Appl. No.: **164,856**  
[22] Filed: **Jul. 1, 1980**

[51] Int. Cl. .... **D26—05**  
[52] U.S. Cl. .... **D26/63**  
[58] Field of Search ..... **D26/24, 61, 63, 64, D26/72, 75-93, 102-112; 362/220, 223, 225, 217, 219, 410, 412, 414, 418, 427**

[56] **References Cited**

**U.S. PATENT DOCUMENTS**

D. 204,793 5/1966 Rodriguez ..... D26/63  
D. 206,391 12/1966 Lax ..... D26/64  
D. 244,793 6/1977 Ruud ..... D26/108  
973,685 10/1910 Moore ..... 362/220

**FOREIGN PATENT DOCUMENTS**

94974 8/1960 Netherlands ..... 362/217

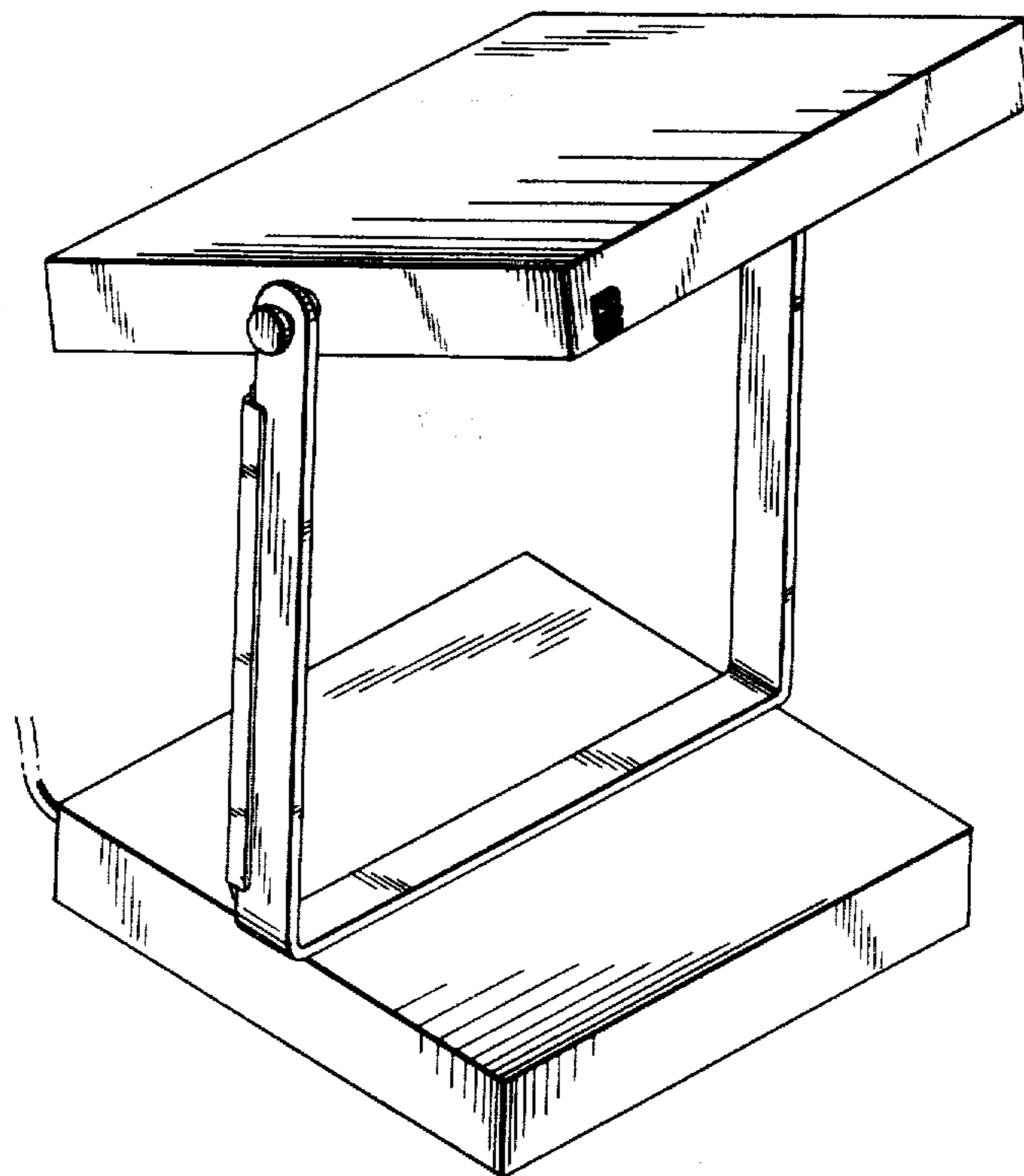
*Primary Examiner*—Susan J. Lucas  
*Attorney, Agent, or Firm*—Blum, Kaplan, Friedman, Silberman & Beran

[57] **CLAIM**

The ornamental design for a lamp, as shown and described.

**DESCRIPTION**

FIG. 1 is a top plan view of a lamp embodying my new design;  
FIG. 2 is a top elevational view of the lamp of FIG. 1 showing the lighting panel of the lamp;  
FIG. 3 is a rear elevational view of the lamp of FIG. 1 showing the top of the lighting panel;  
FIG. 4 is a bottom plan view of the lamp;  
FIG. 5 is a left side elevational view of the lamp;  
FIG. 6 is a right side elevational view of the lamp; and  
FIG. 7 is a perspective view of the lamp on a reduced scale showing the lighting panel in an intermediate position.



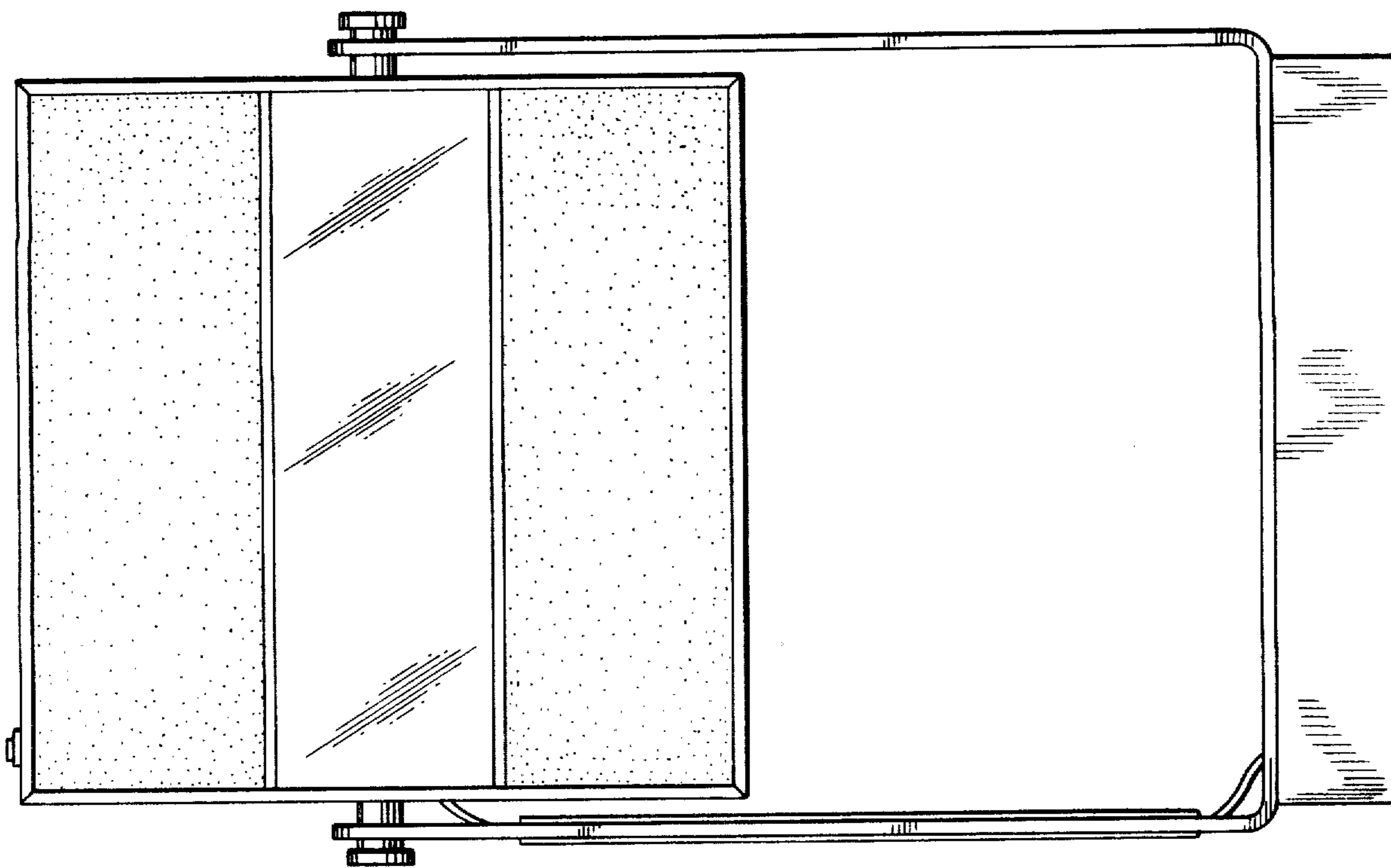


FIG. 1

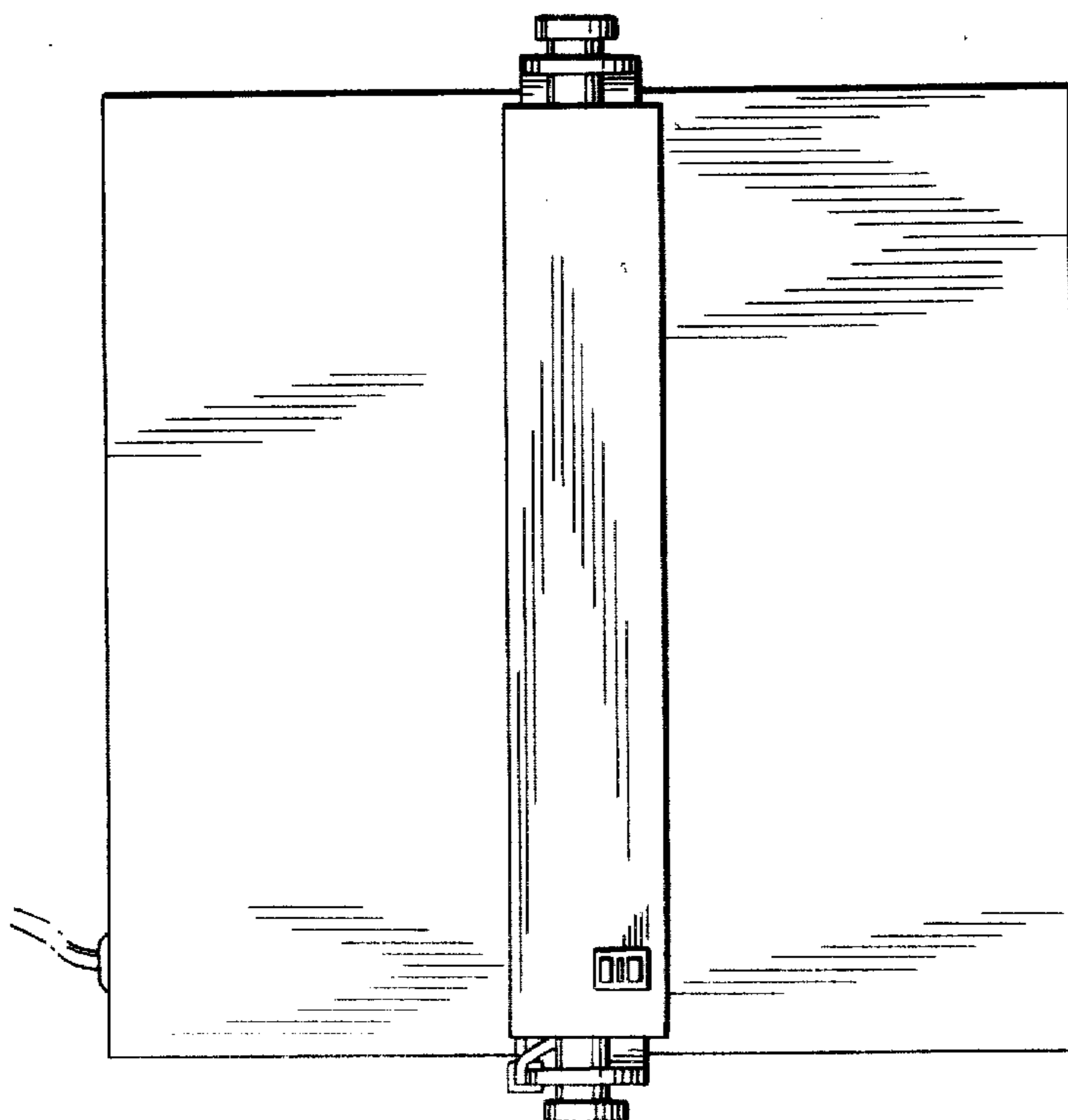
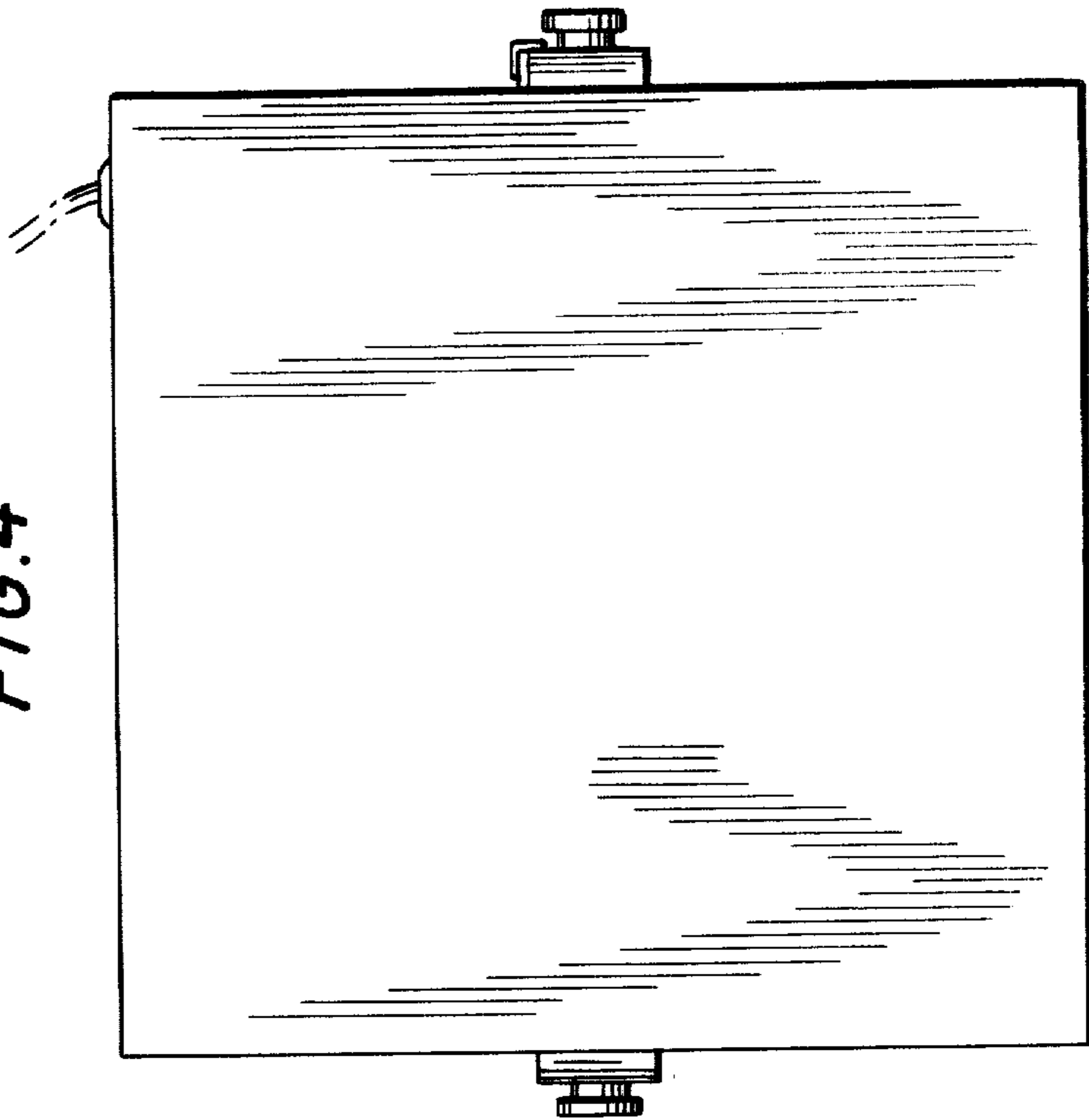
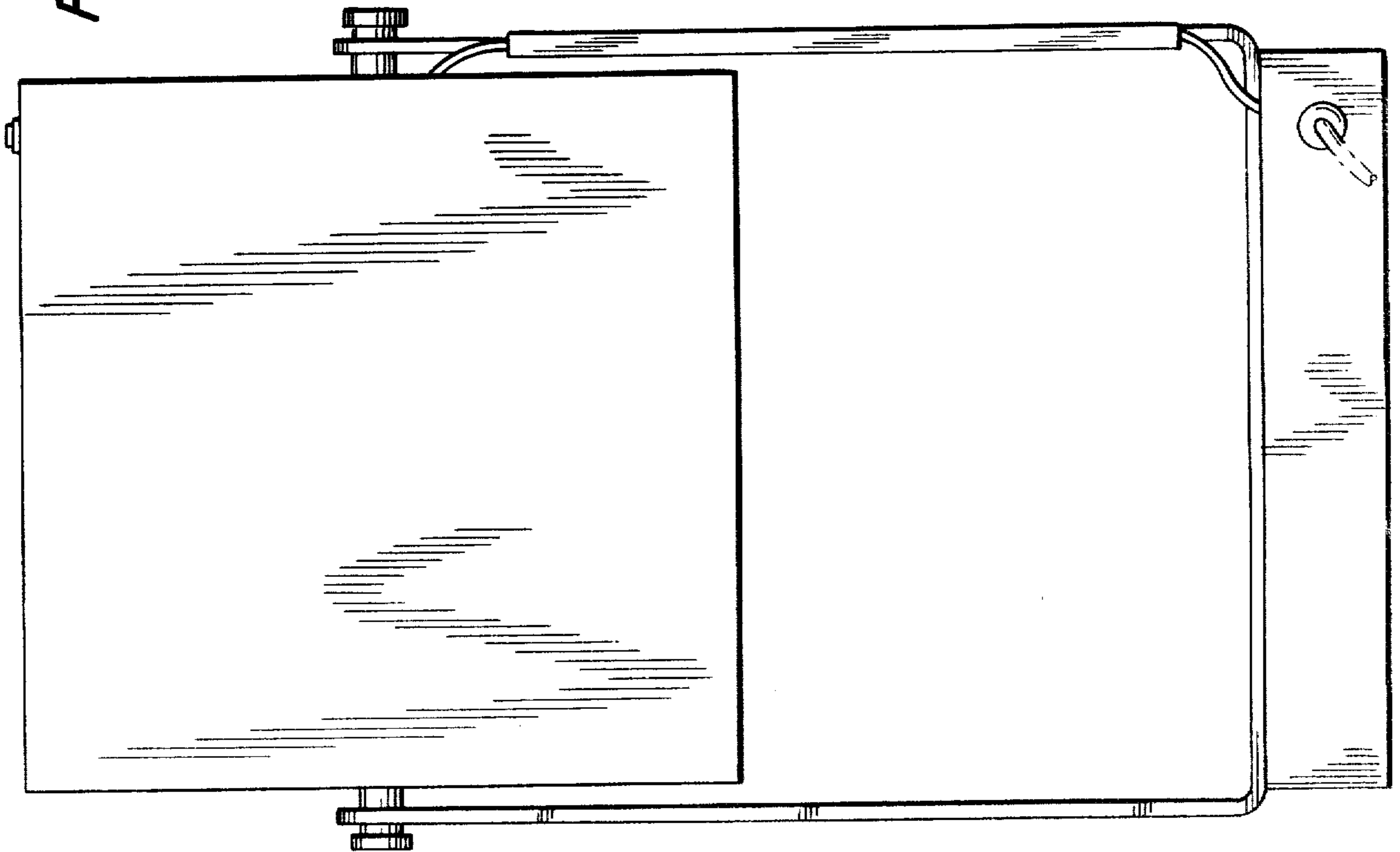


FIG. 2

*FIG. 4*



*FIG. 3*



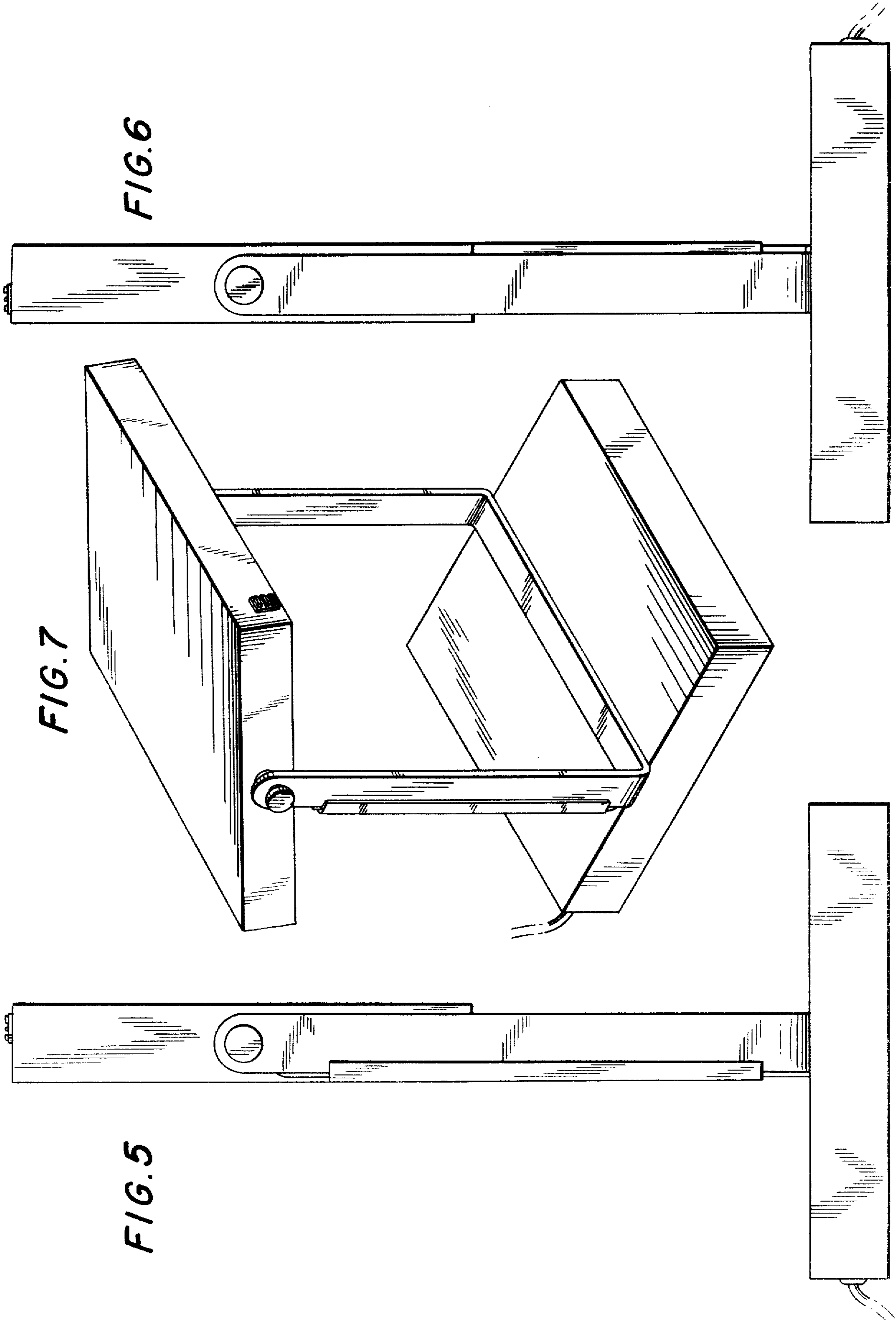


FIG. 6

FIG. 7

FIG. 5