

[54] MULTICOMPARTMENT ICE BAG WITH ATTACHING MEANS

1,441,282 1/1923 Hodgson ..... 128/403 X  
3,762,419 10/1973 Walters ..... 128/403  
3,889,684 6/1975 Lebold ..... 128/402

[76] Inventor: Betty T. Howe, 2611 Dolly Ridge Rd., Birmingham, Ala. 35243

Primary Examiner—Bernard Ansher  
Attorney, Agent, or Firm—Woodford R. Thompson, Jr.

[\*\*] Term: 14 Years

[57] CLAIM

[21] Appl. No.: 156,676

The ornamental design for a multicompartment ice bag with attaching means, as shown.

[22] Filed: Jun. 5, 1980

[51] Int. Cl. .... D24—02

DESCRIPTION

[52] U.S. Cl. .... D24/43; D24/99

FIG. 1 is a front elevational view of a multicompartment ice bag with attaching means showing my new design;

[58] Field of Search ..... D24/63; 128/402, 403, 128/DIG. 5

FIG. 2 is a rear elevational view thereof;

FIG. 3 is a top plan view thereof;

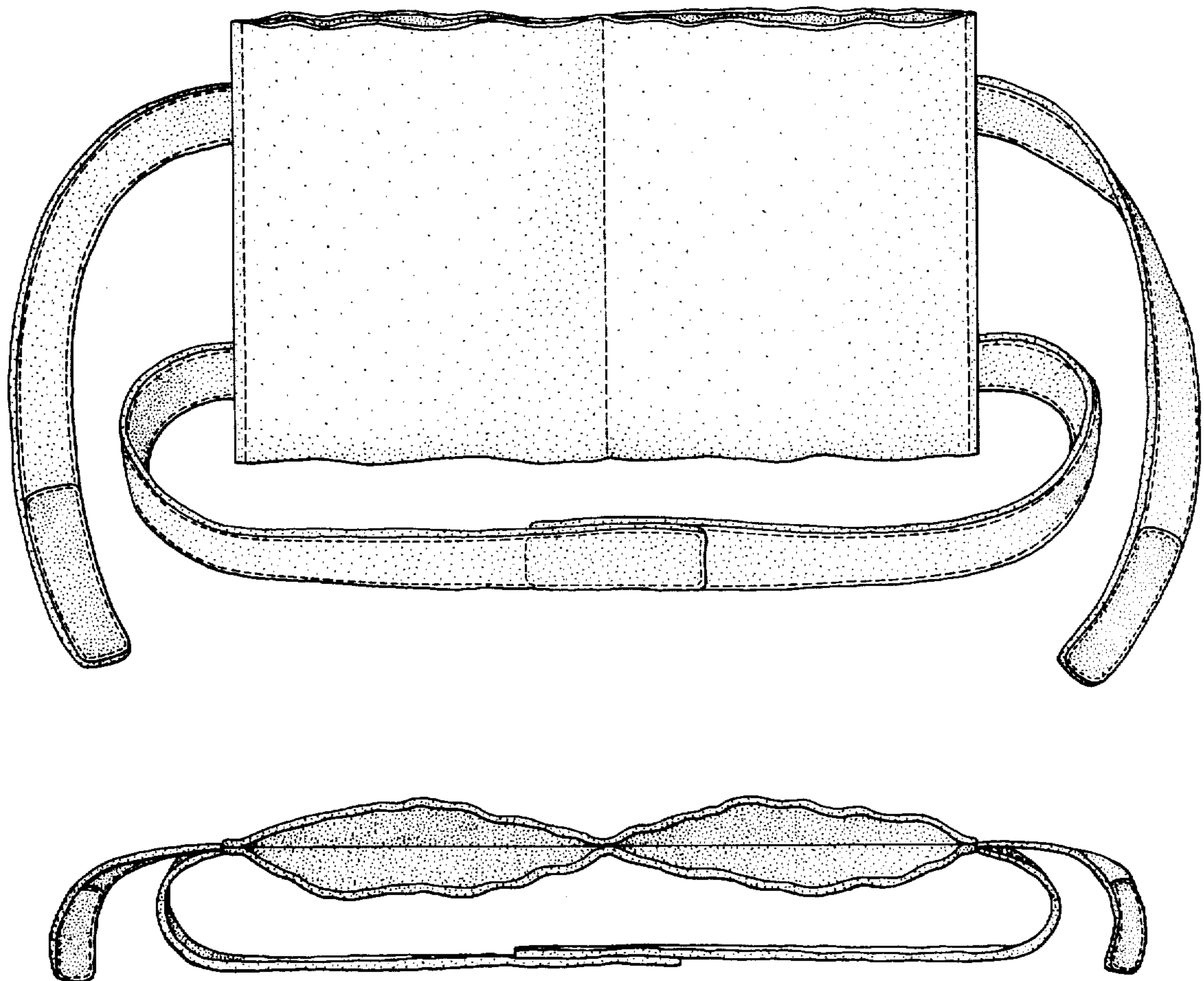
FIG. 4 is a bottom plan view thereof; and,

FIG. 5 is an end elevational view thereof, the end not shown being a mirror image of the end shown.

[56] References Cited

U.S. PATENT DOCUMENTS

D. 140,199 1/1945 Woodruff ..... D24/43  
D. 195,185 5/1963 Witz ..... D24/43



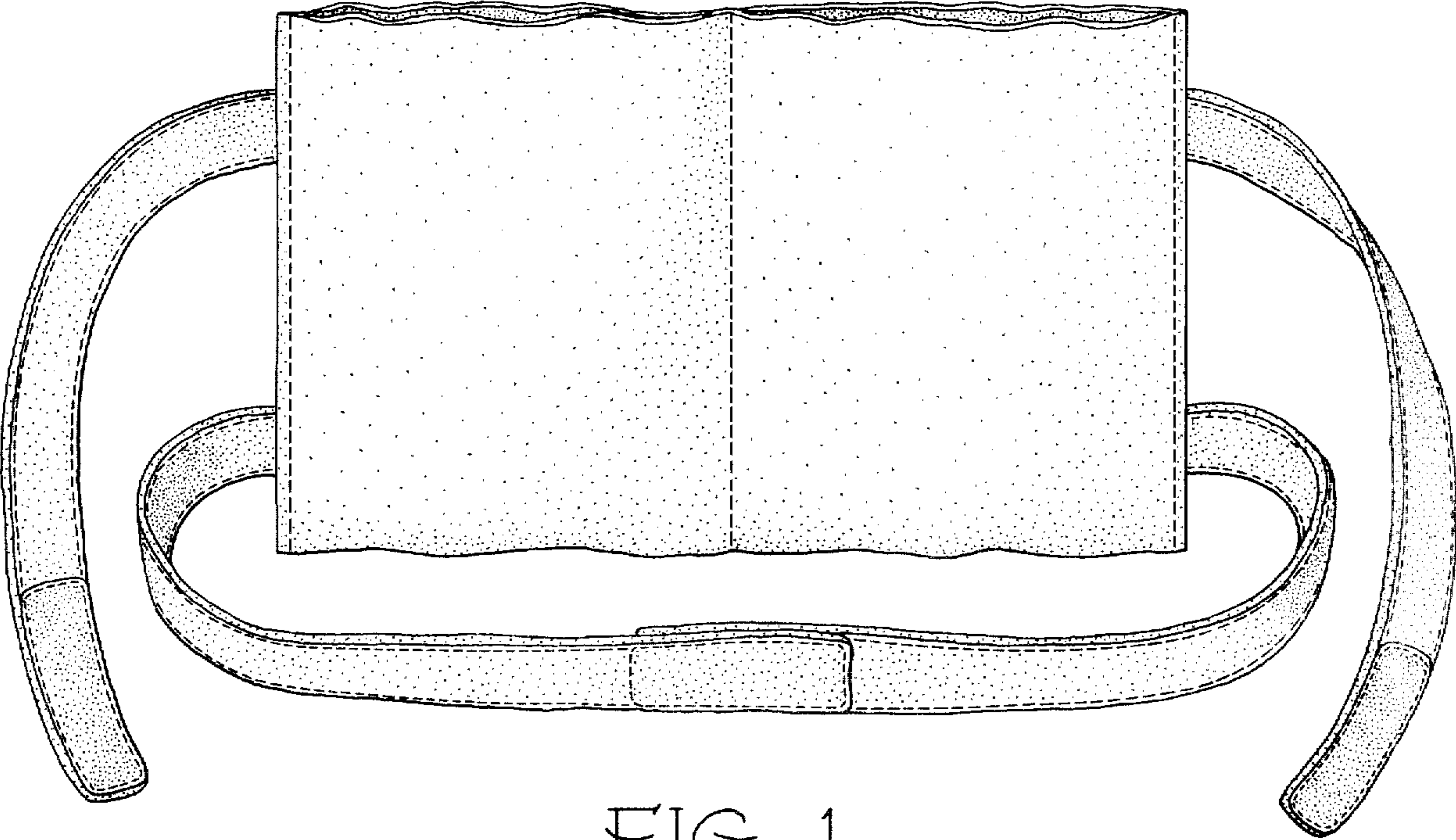


FIG. 1

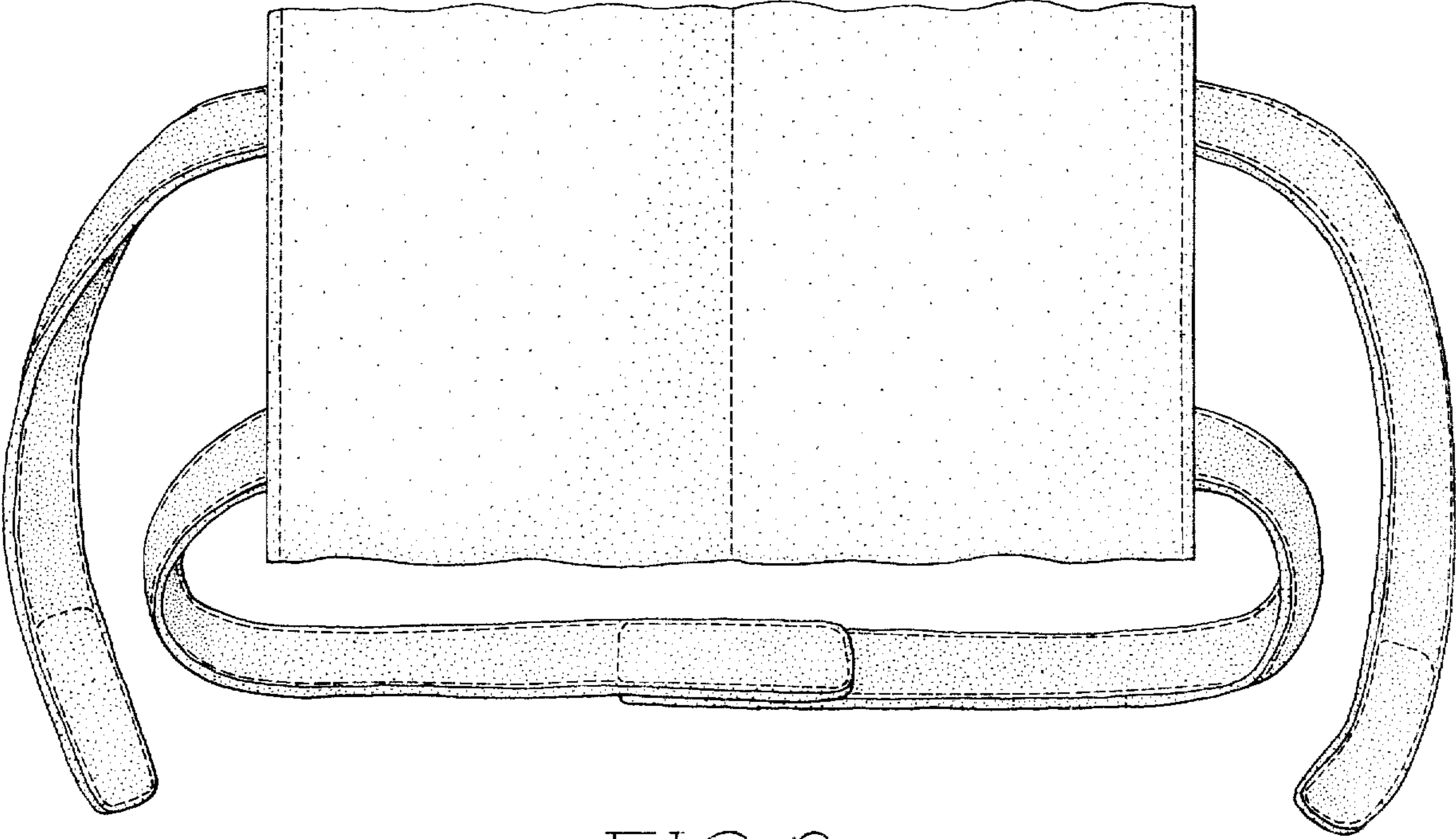


FIG. 2



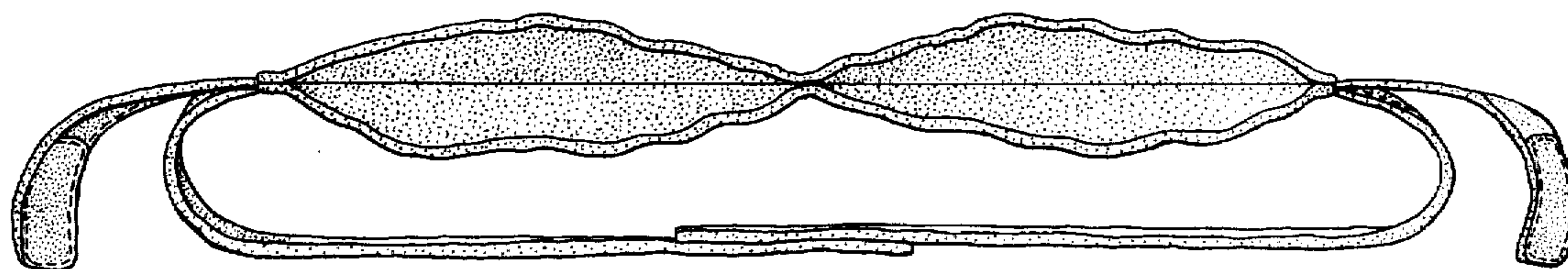


FIG. 3

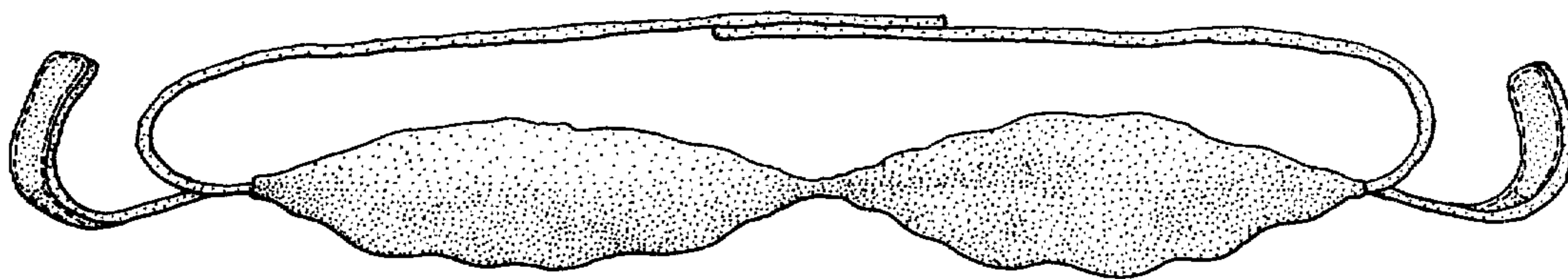


FIG. 4

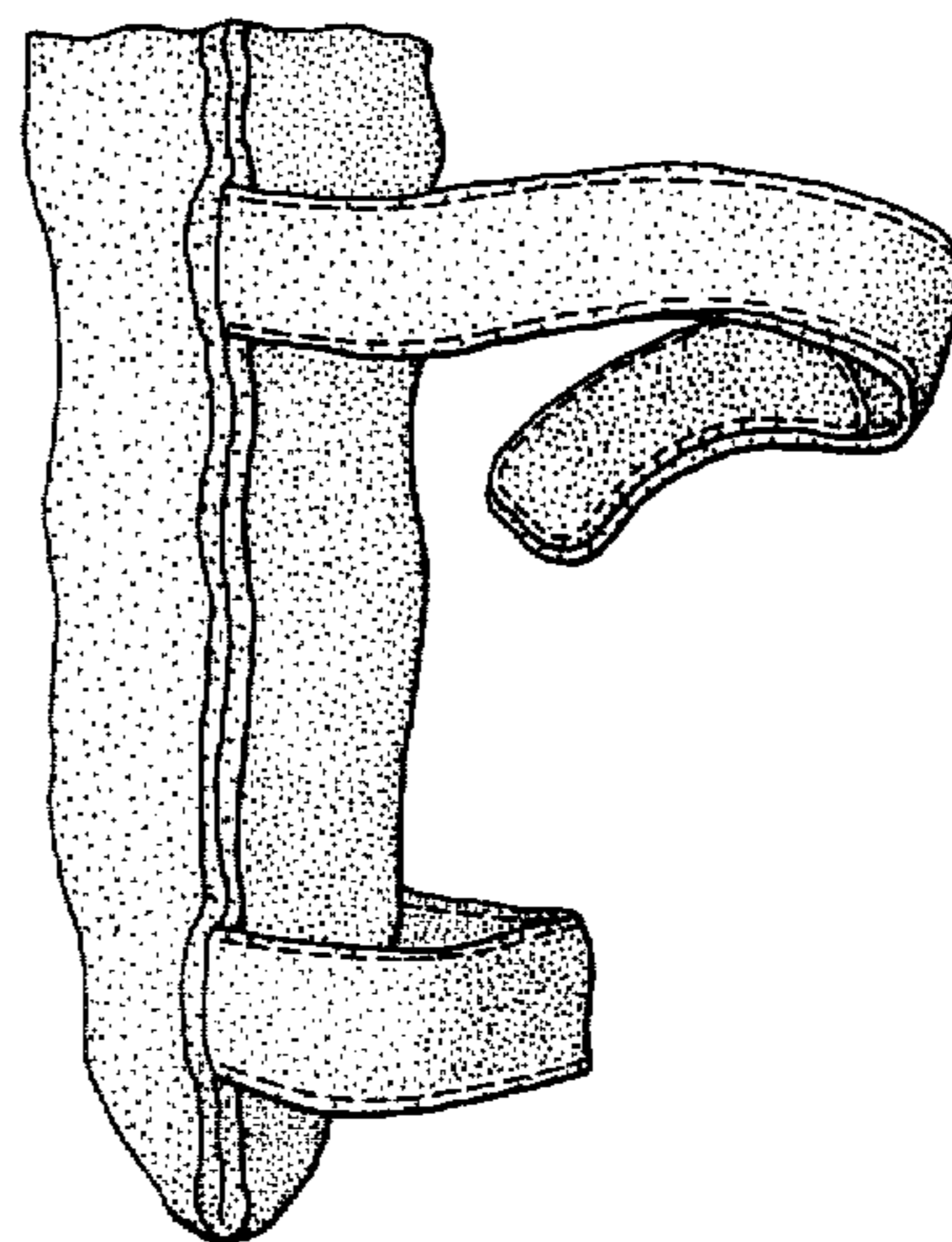


FIG. 5