

[54] STOVE

[75] Inventor: Richard D. Craver, Orrville, Ohio

[73] Assignee: Orrville Products, Inc., Orrville, Ohio

[**] Term: 14 Years

[21] Appl. No.: 151,936

[22] Filed: May 21, 1980

[51] Int. Cl. D23-03

[52] U.S. Cl. D23/97

[58] Field of Search D23/72, 92-97; 126/4, 6, 58, 60-66, 120, 121, 123, 126

[56] References Cited

U.S. PATENT DOCUMENTS

3,508	3/1844	Bailey	126/58
D. 250,274	11/1978	Whipple	D23/97
D. 250,833	1/1979	Loftis et al.	D23/97
D. 254,864	4/1980	Skabelund et al.	D23/97
4,230,091	10/1980	Judge et al.	126/60 X

OTHER PUBLICATIONS

Home Energy Digest & Woodburning Quarterly-Winter 1978-p. 83-Russo "Glassview" Stove.

Primary Examiner—Catherine E. Kemper
Attorney, Agent, or Firm—Meyer, Tilberry & Body

[57] CLAIM

The ornamental design for a stove, as shown and described.

DESCRIPTION

FIG. 1 is a perspective view of a stove showing my new design;
 FIG. 2 is a plan view thereof;
 FIG. 3 is a front elevation thereof;
 FIG. 4 is a right elevation thereof;
 FIG. 5 is a rear elevation;
 FIG. 6 is a front elevational view of a second embodiment of a stove;
 FIG. 7 is a plan view thereof;
 FIG. 8 is a right elevational view thereof;
 FIG. 9 is a rear elevational view thereof;
 FIG. 10 is a front elevational view of a third embodiment of a stove;
 FIG. 11 is a plan view thereof;
 FIG. 12 is a right elevational view thereof;
 FIG. 13 is a rear elevational view thereof;

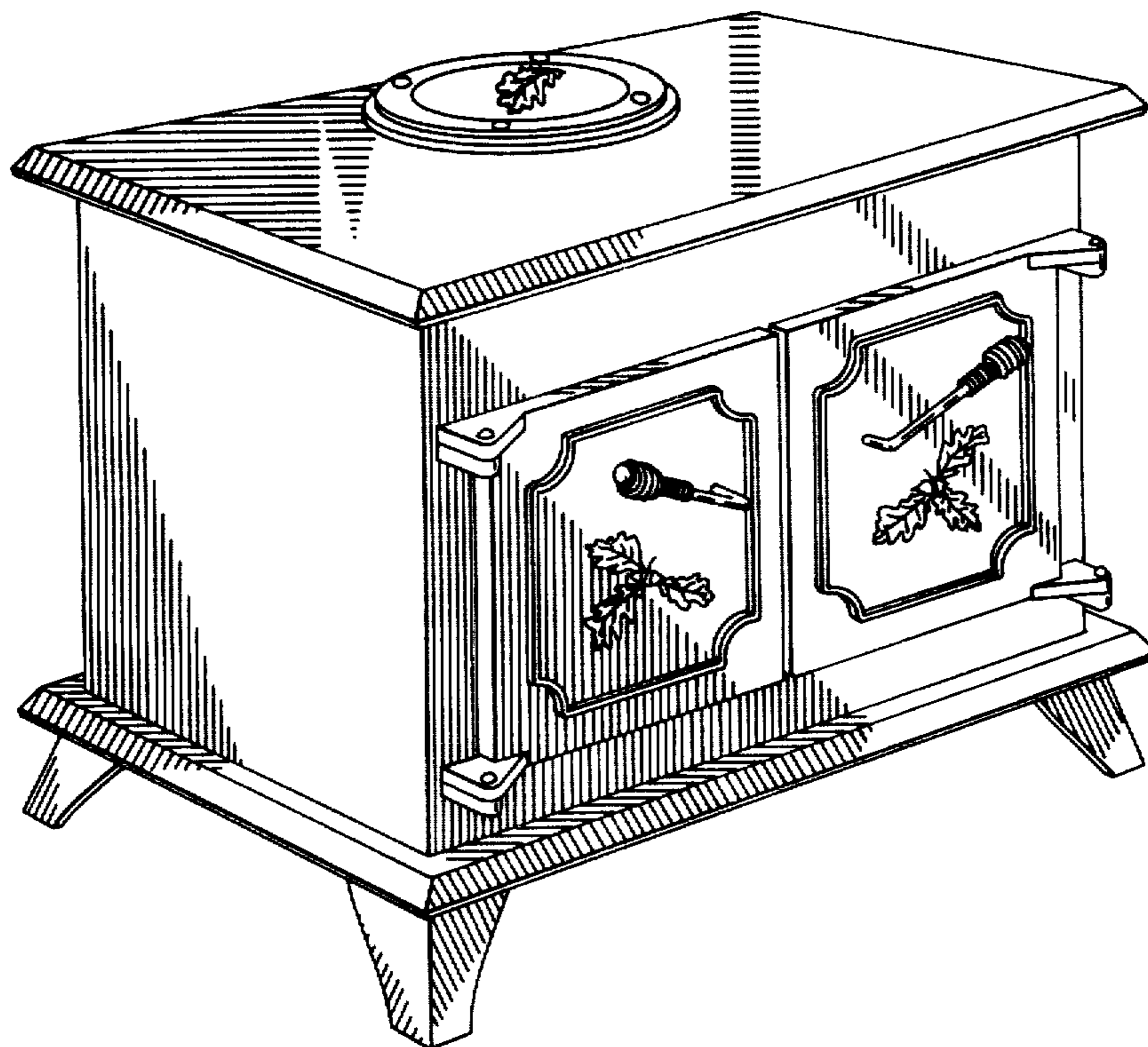


FIG. 1

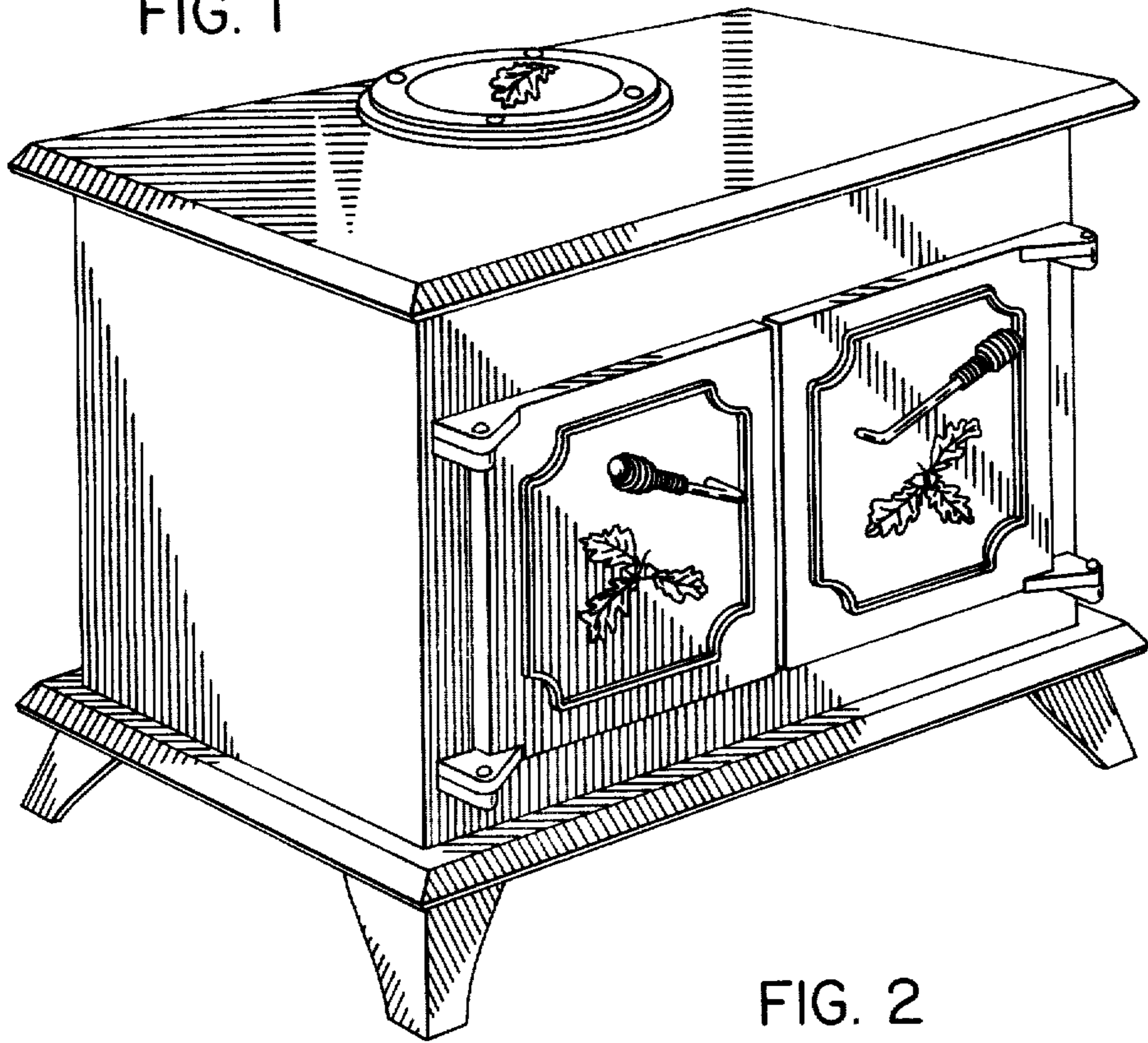
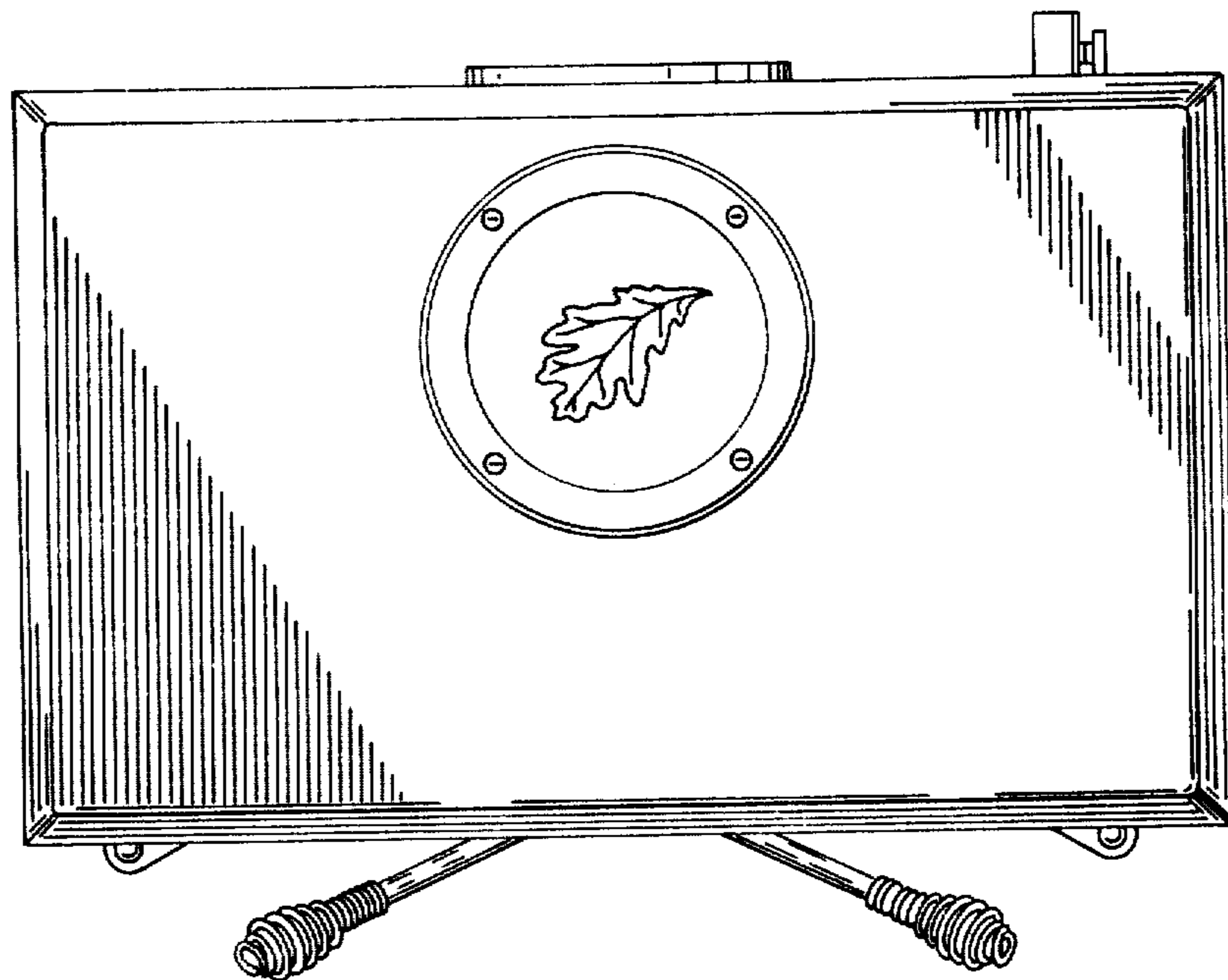


FIG. 2



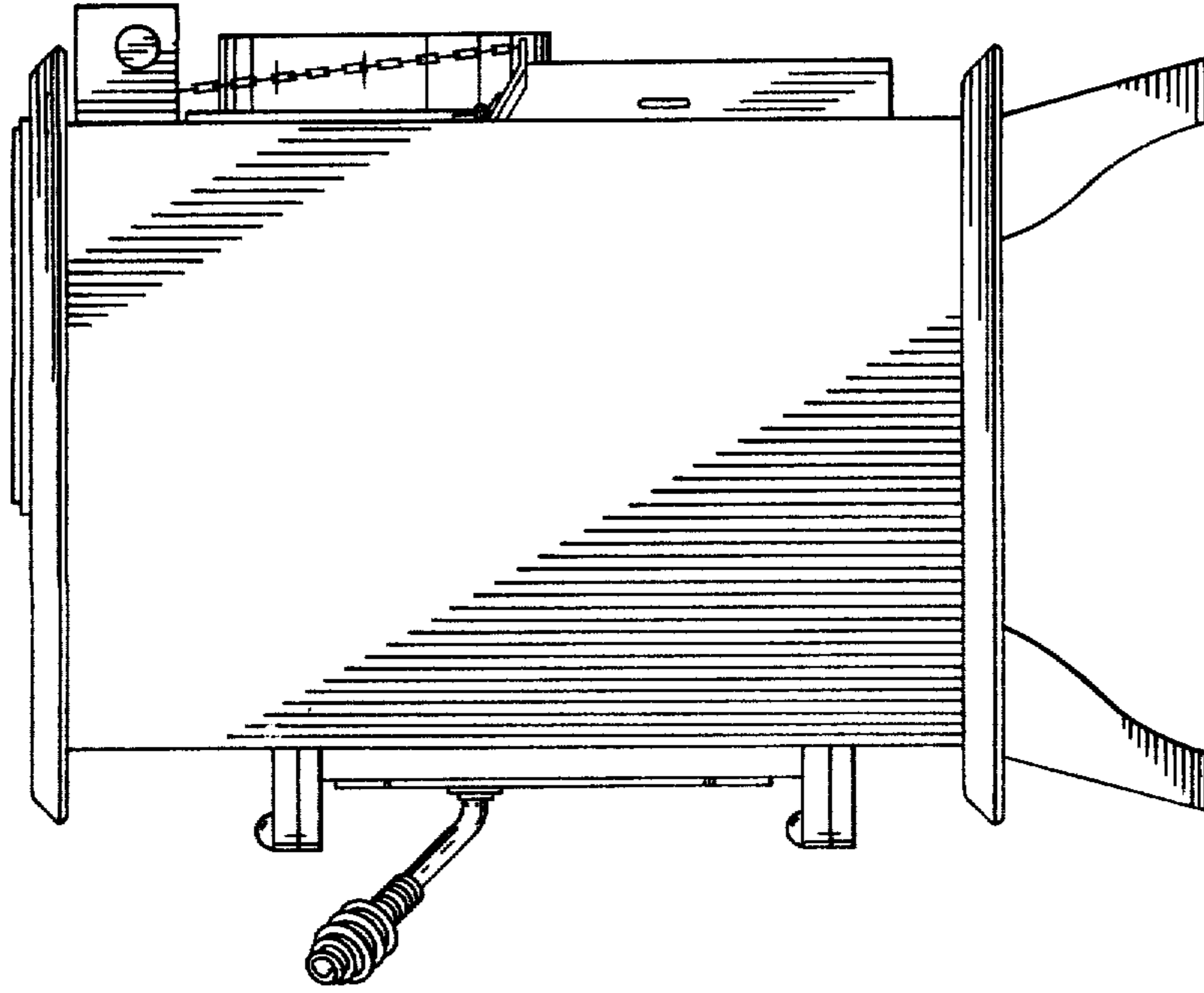


FIG. 4

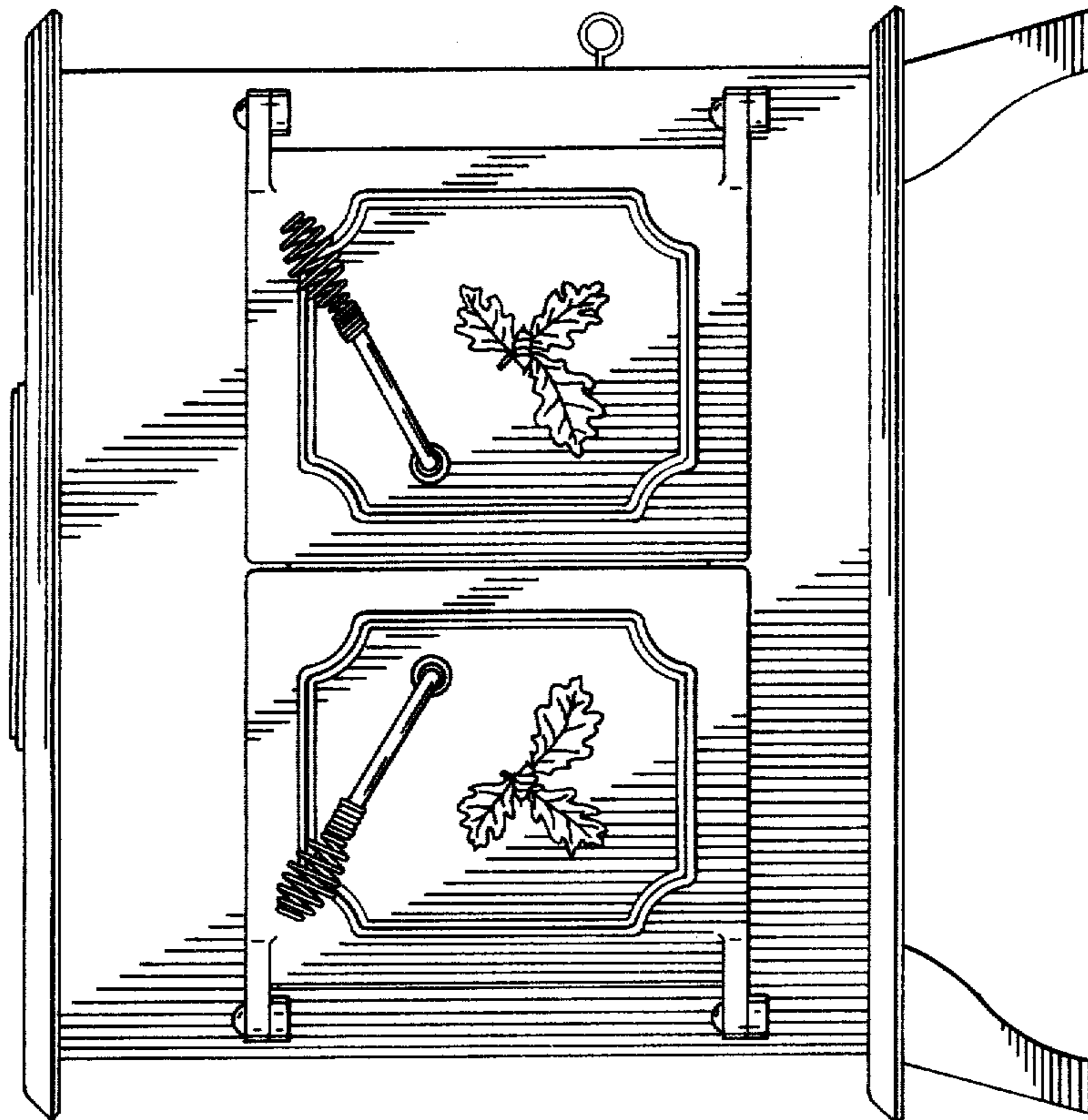


FIG. 3

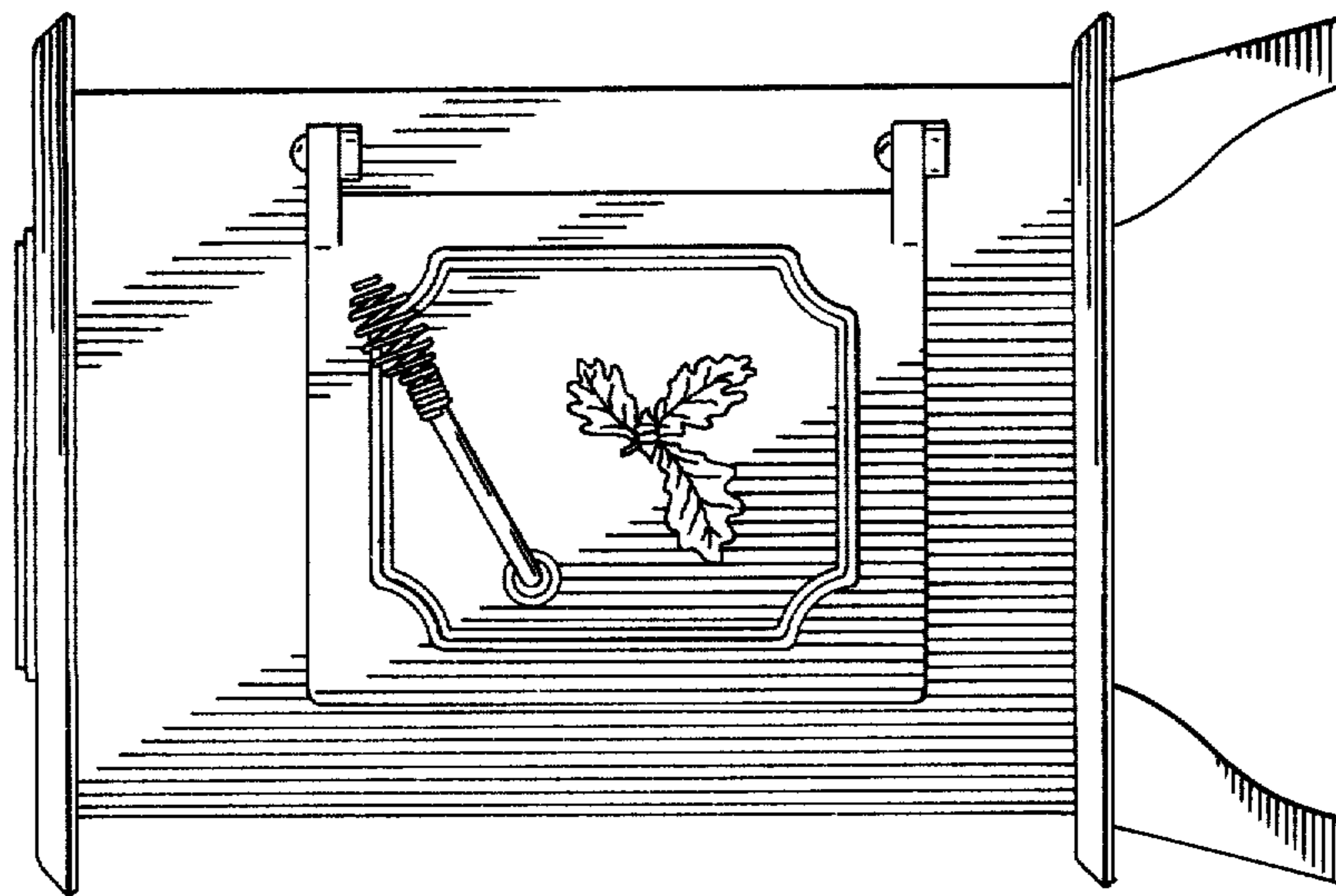


FIG. 6

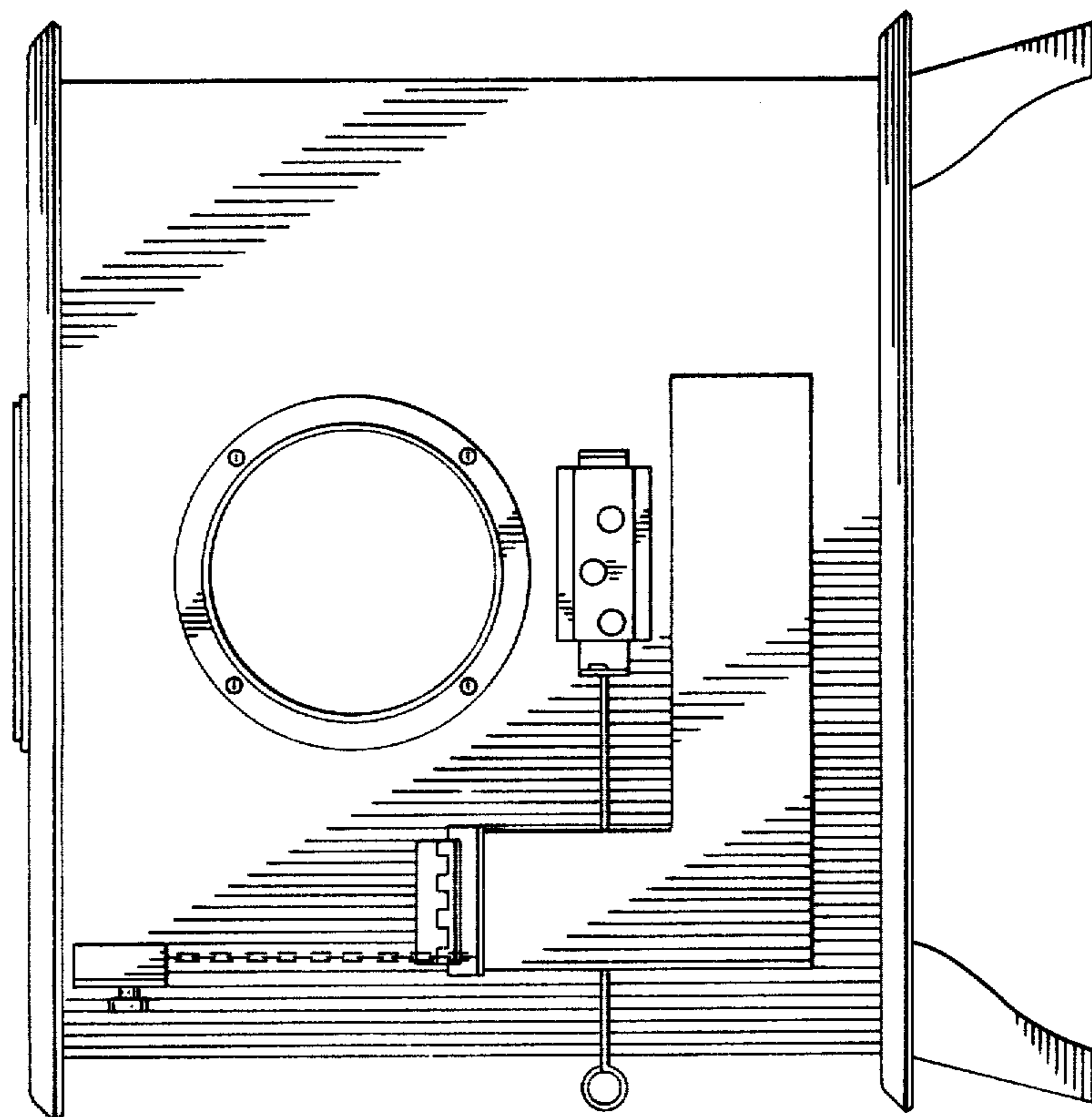


FIG. 5

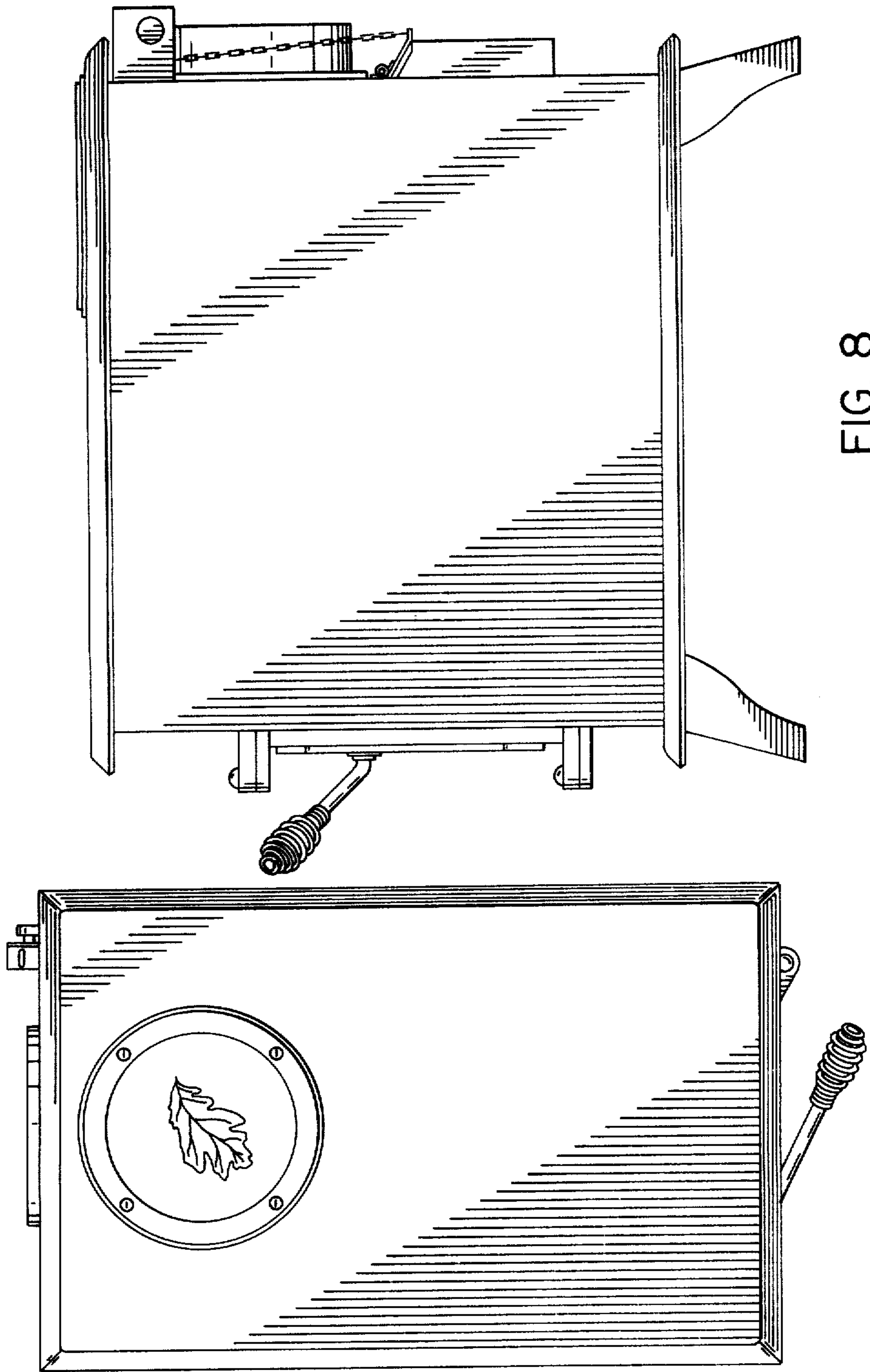


FIG. 8

FIG. 7

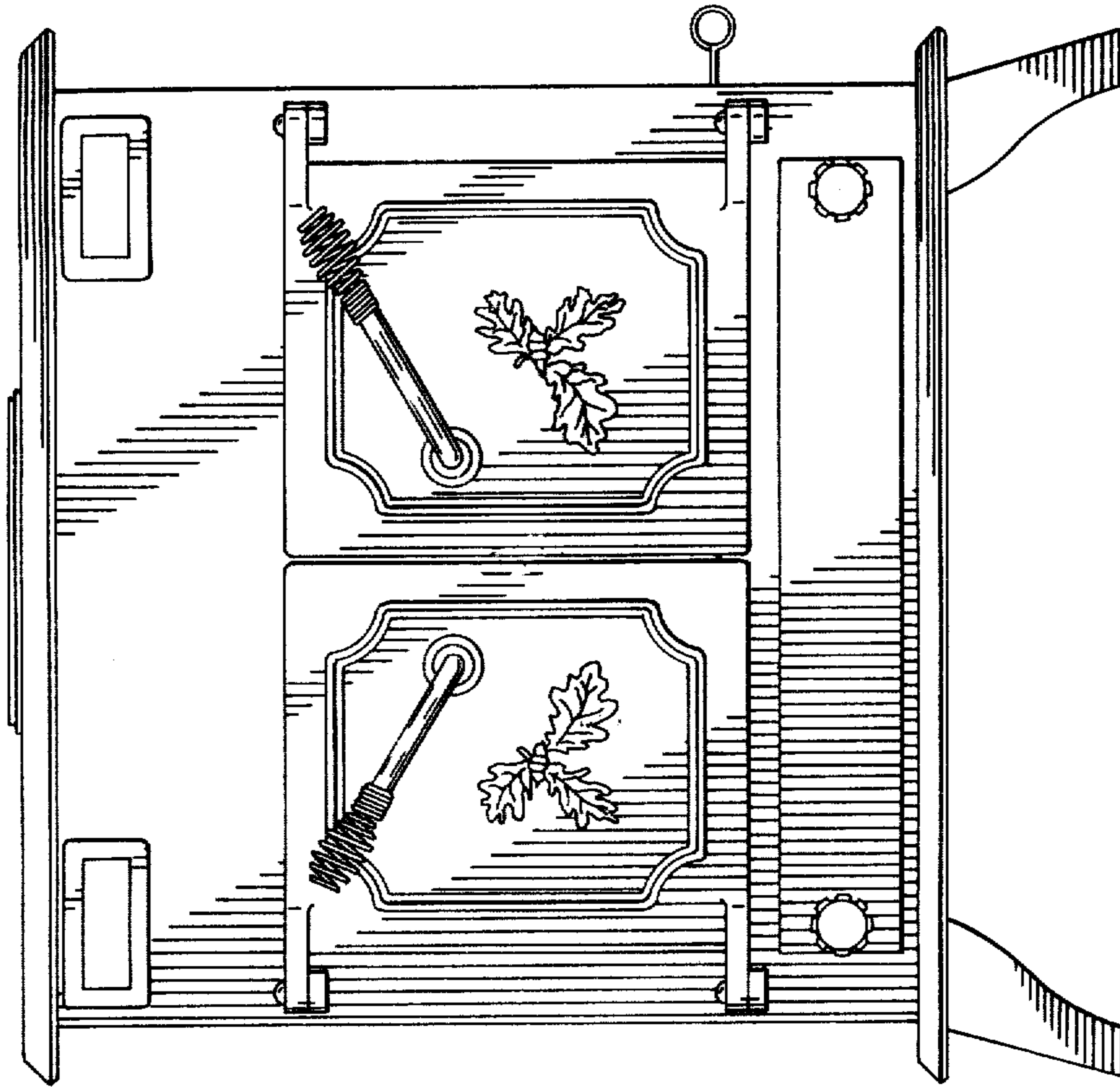


FIG. 10

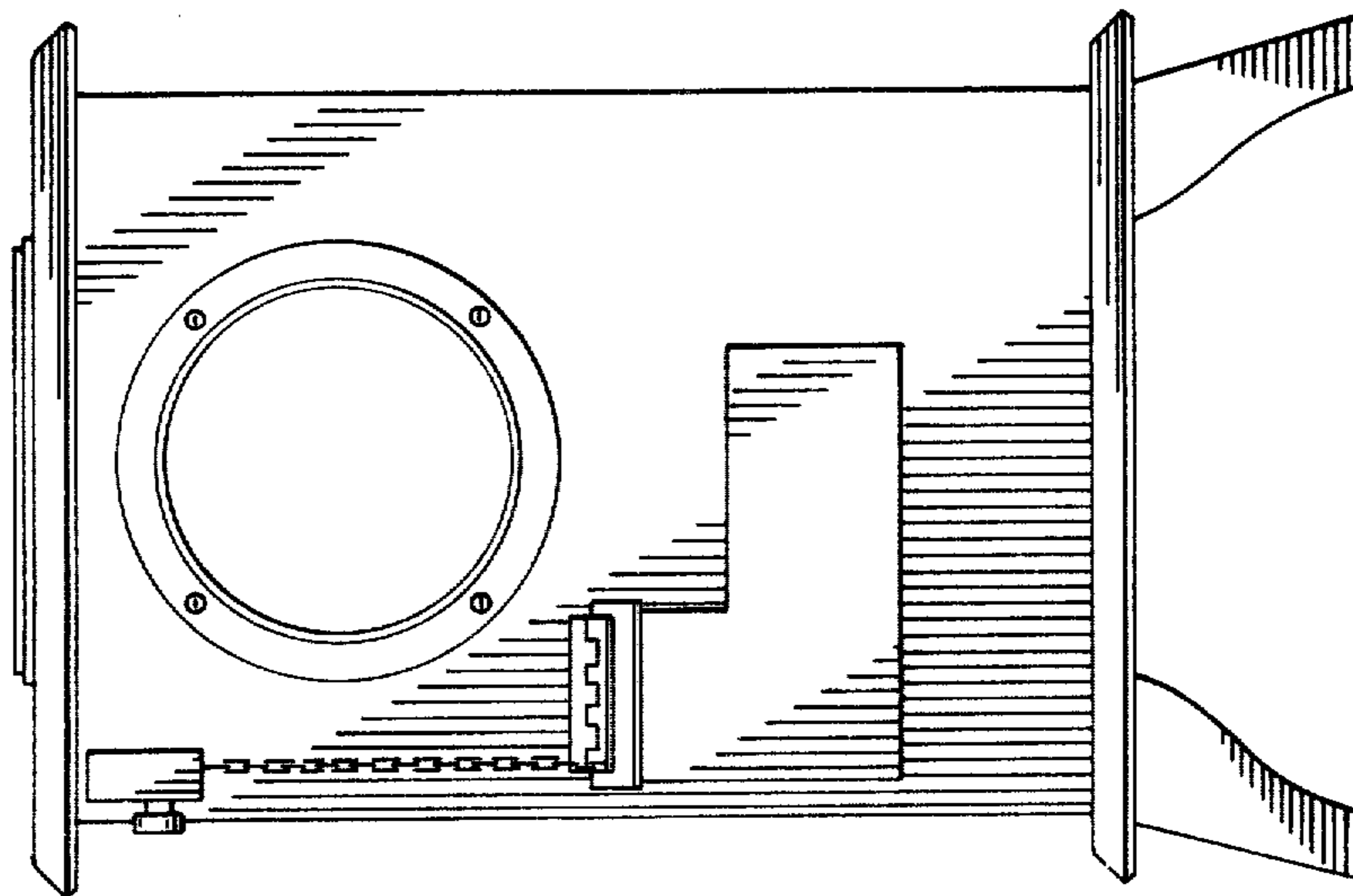


FIG. 9

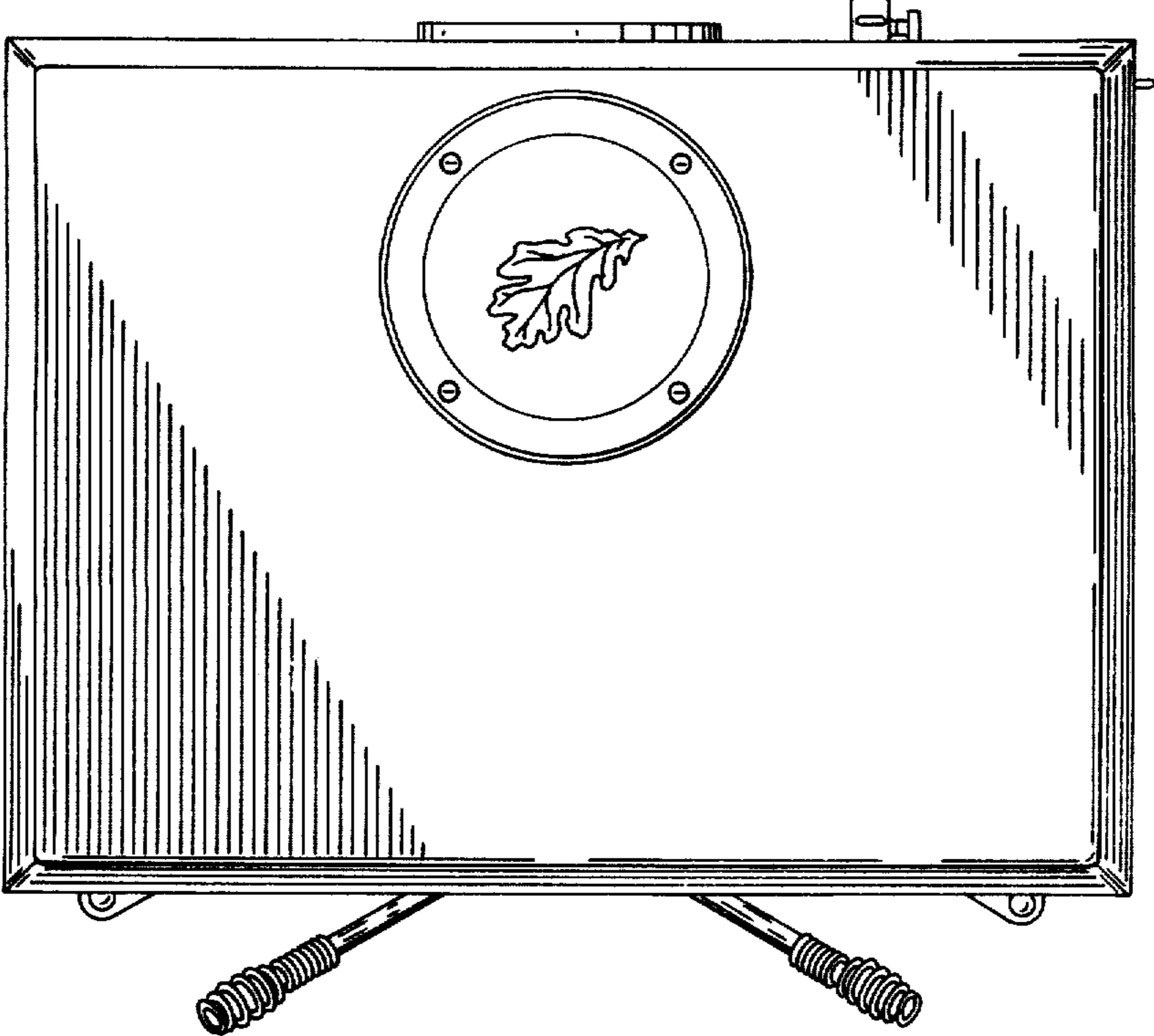


FIG. II

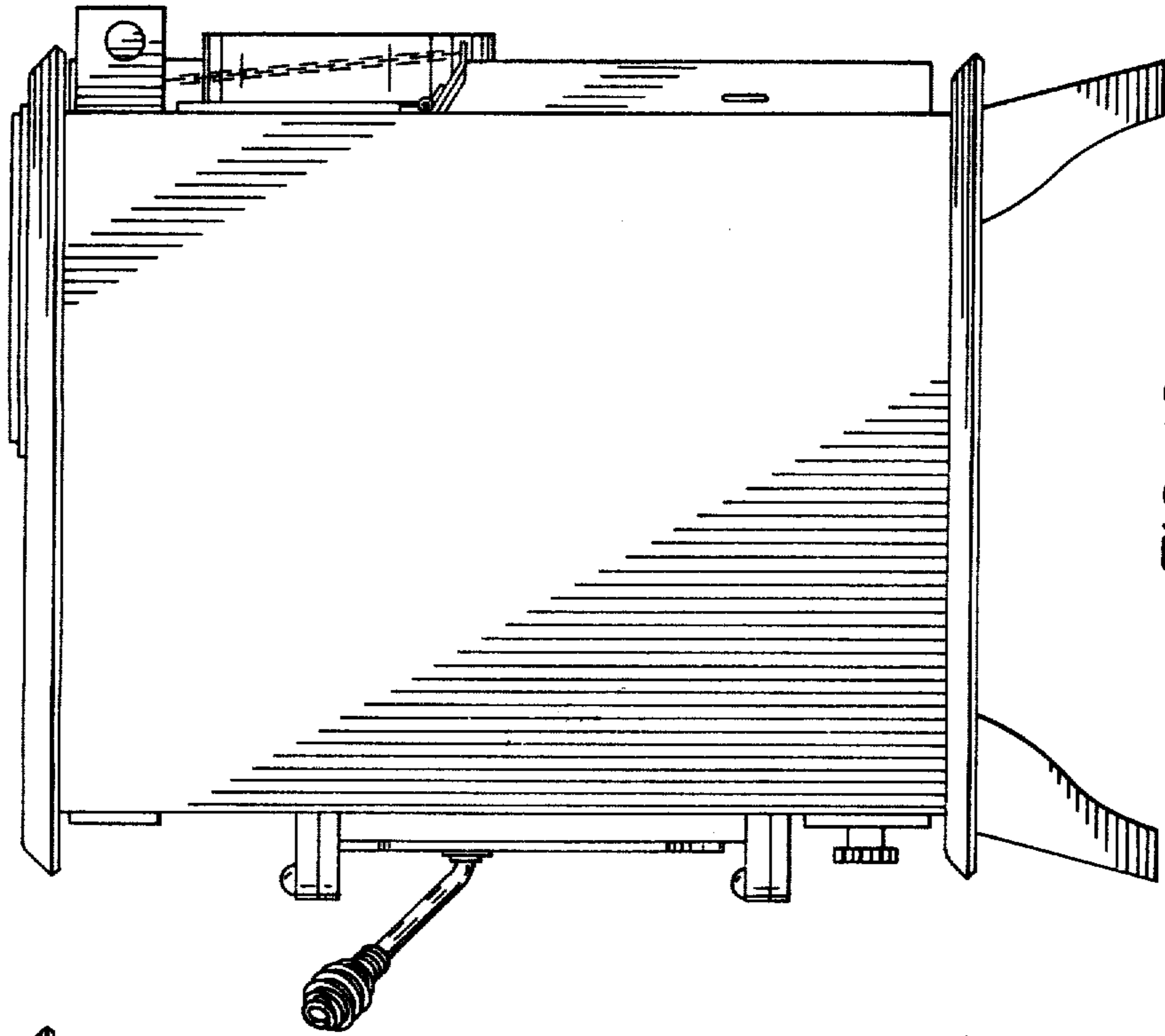


FIG. 12

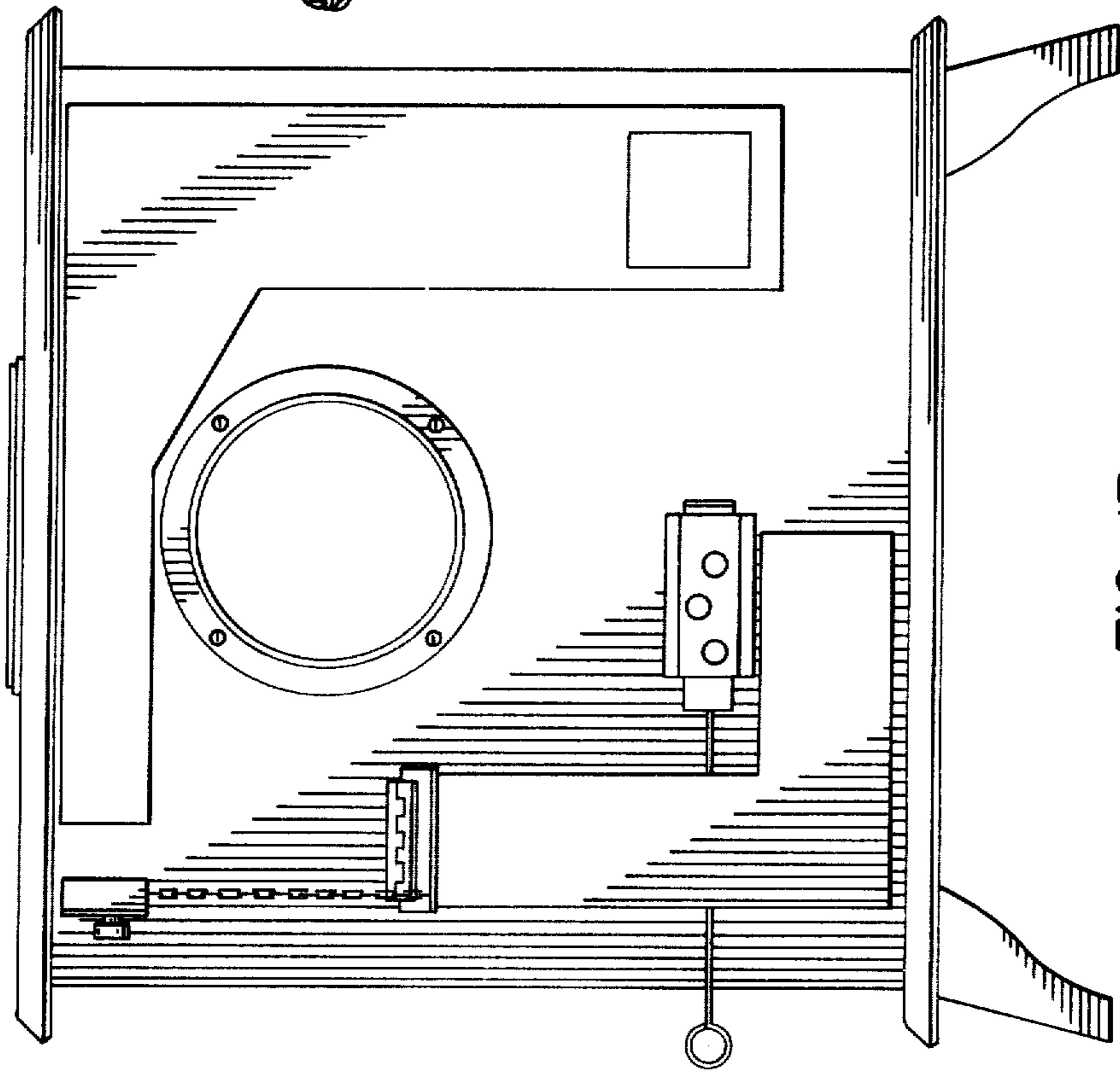


FIG. 13