

[54] STOVE

[76] Inventor: Bennie K. Gant, 5691 Lolene Way, Salt Lake City, Utah 84118

[\*\*] Term: 14 Years

[21] Appl. No.: 158,480

[22] Filed: Jun. 11, 1980

[51] Int. Cl. .... D23-03

[52] U.S. Cl. .... D23/97

[58] Field of Search ..... D23/92-97; 126/58, 60-66, 120, 121, 123, 126

[56] References Cited

U.S. PATENT DOCUMENTS

D. 256,272 8/1980 Teeri ..... D23/97

D. 258,385 2/1981 Ferrara, Jr. et al. .... D23/97  
4,212,286 7/1980 Shane et al. .... 126/65 X

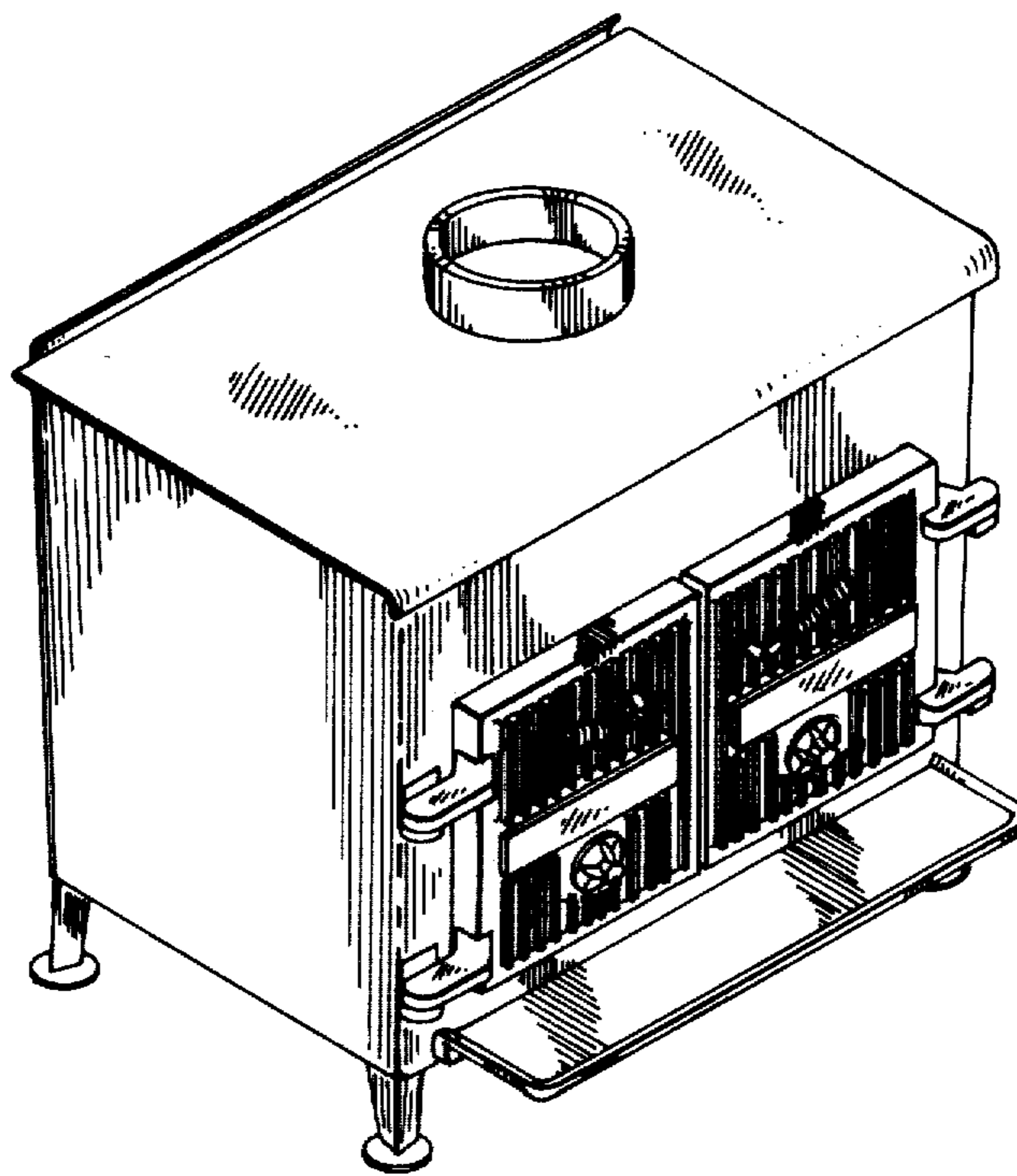
Primary Examiner—Catherine E. Kemper  
Attorney, Agent, or Firm—Trask & Britt

[57] CLAIM

The ornamental design for a stove, as shown and described.

DESCRIPTION

FIG. 1 is a front perspective view of a stove, showing my new design;  
FIG. 2 is a front elevational view thereof, shown on a reduced scale;  
FIG. 3 is a side elevational view thereof;  
FIG. 4 is a top plan view thereof;  
FIG. 5 is a rear elevational view thereof.



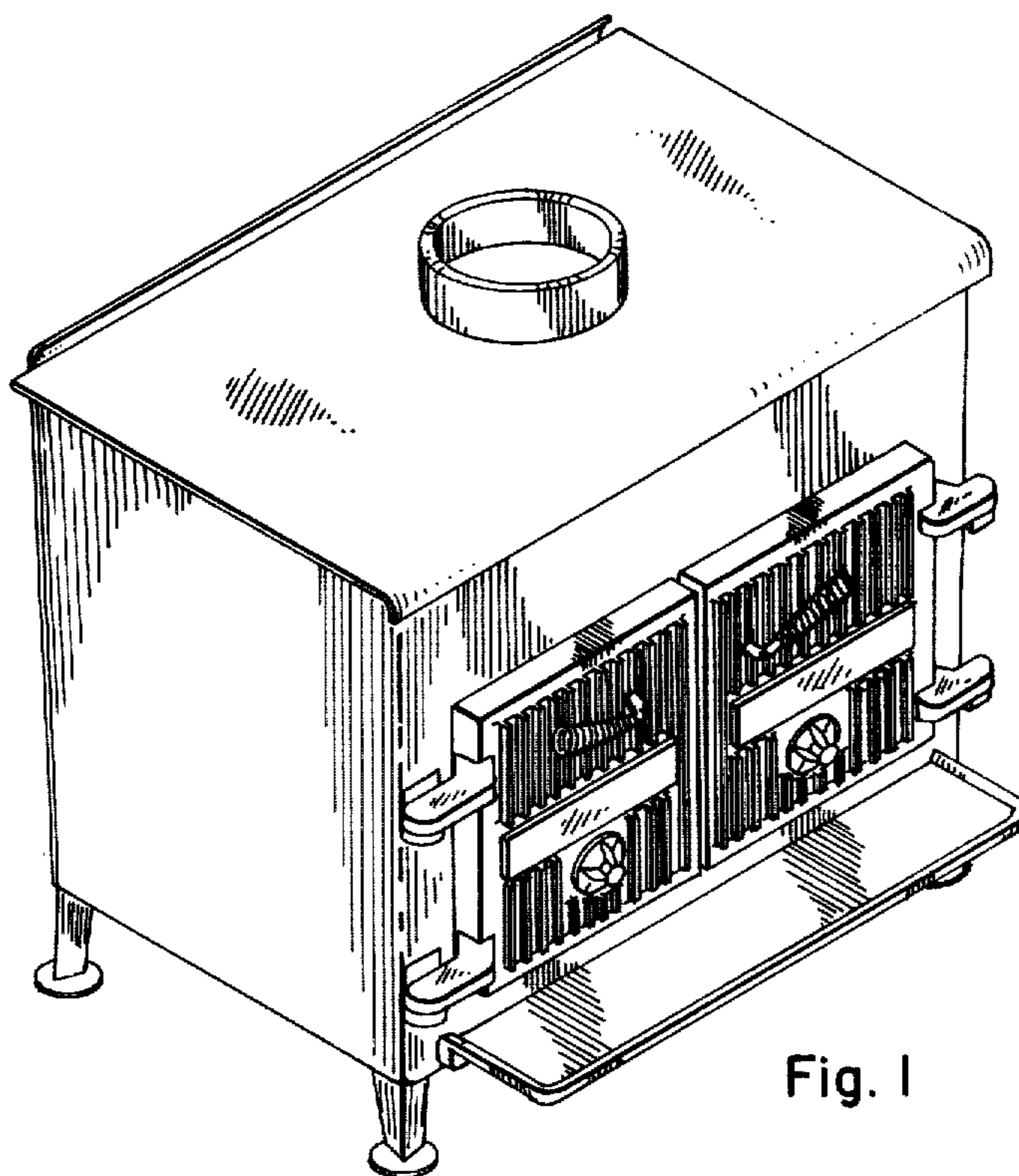


Fig. 1

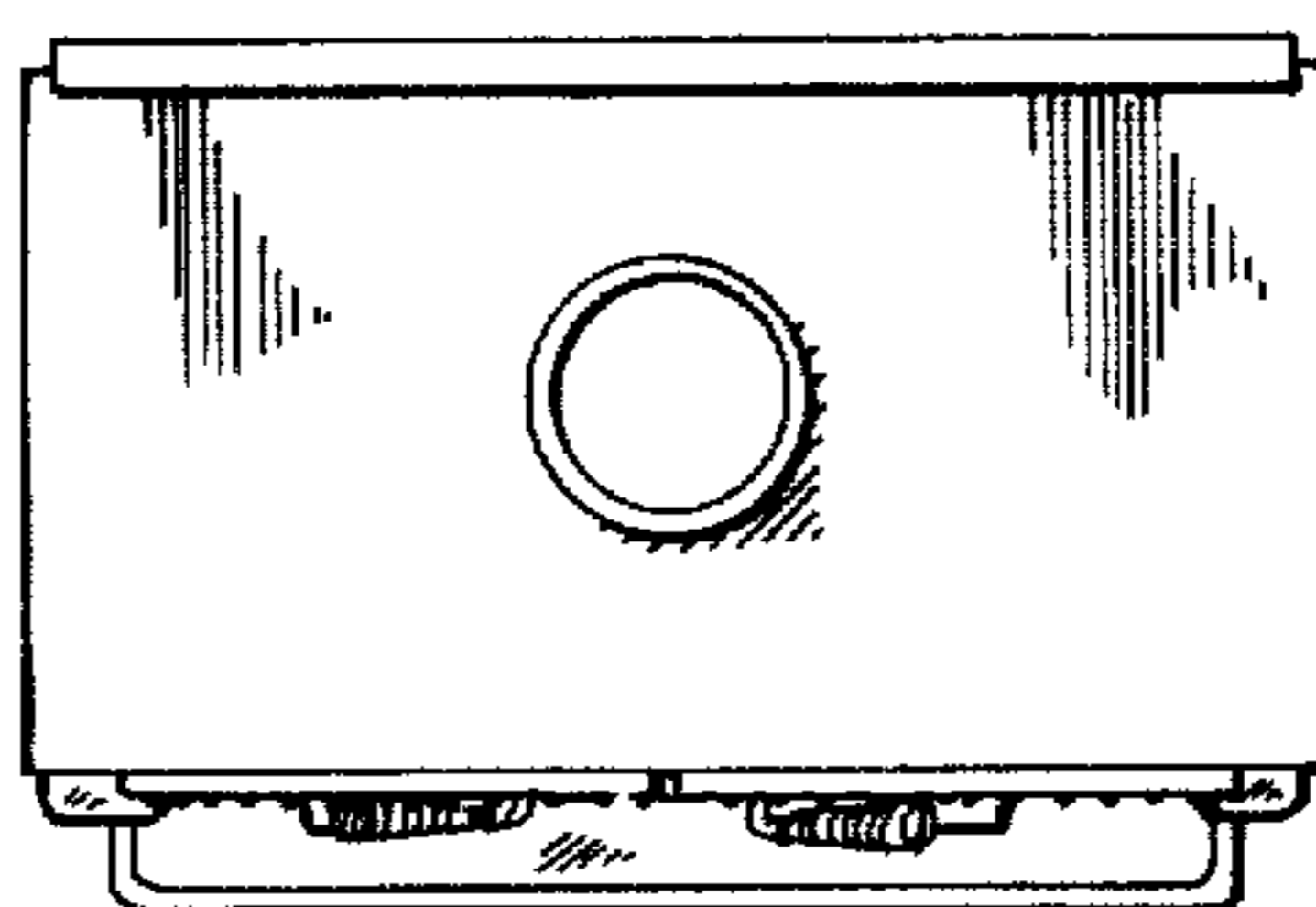


Fig. 4

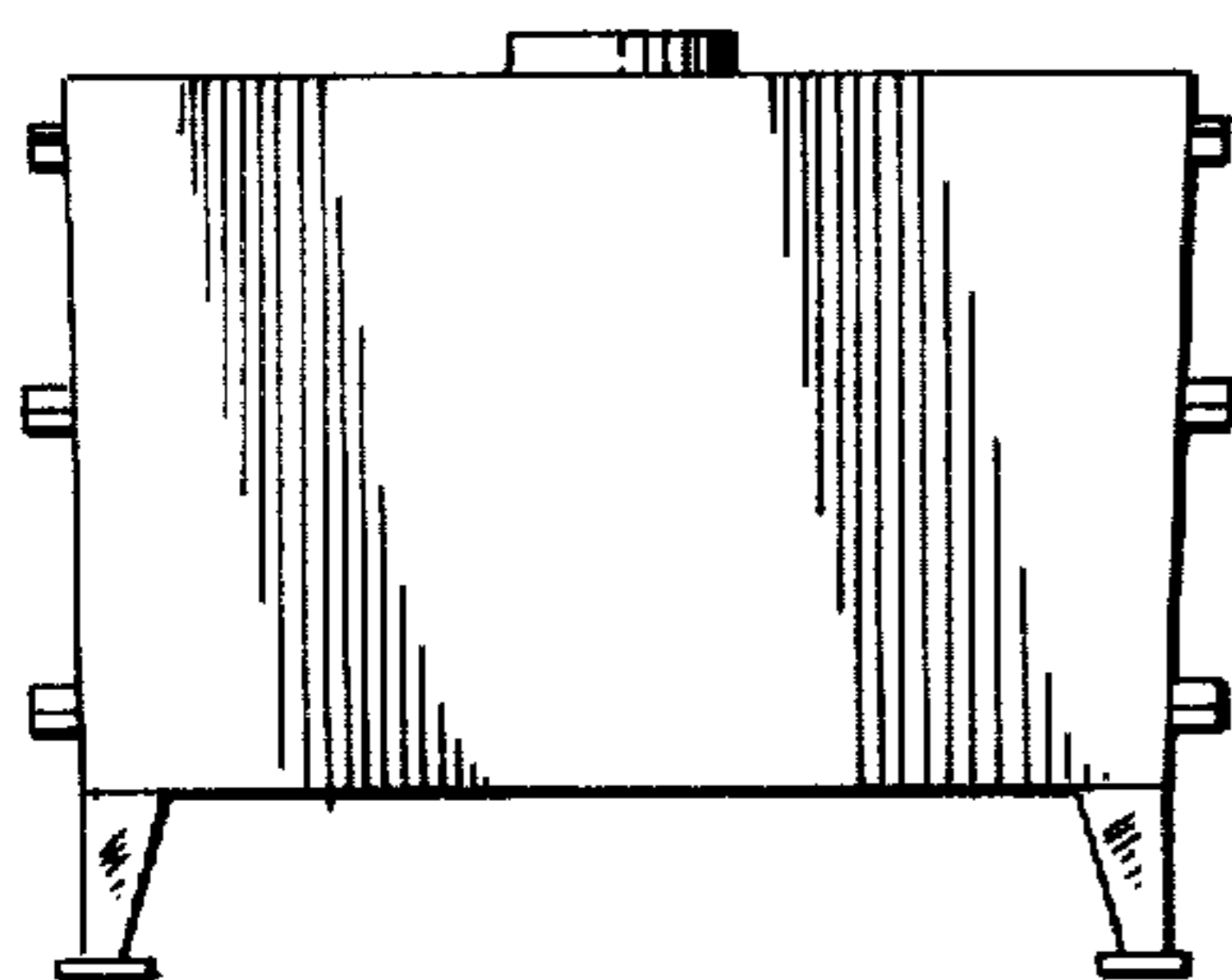


Fig. 5

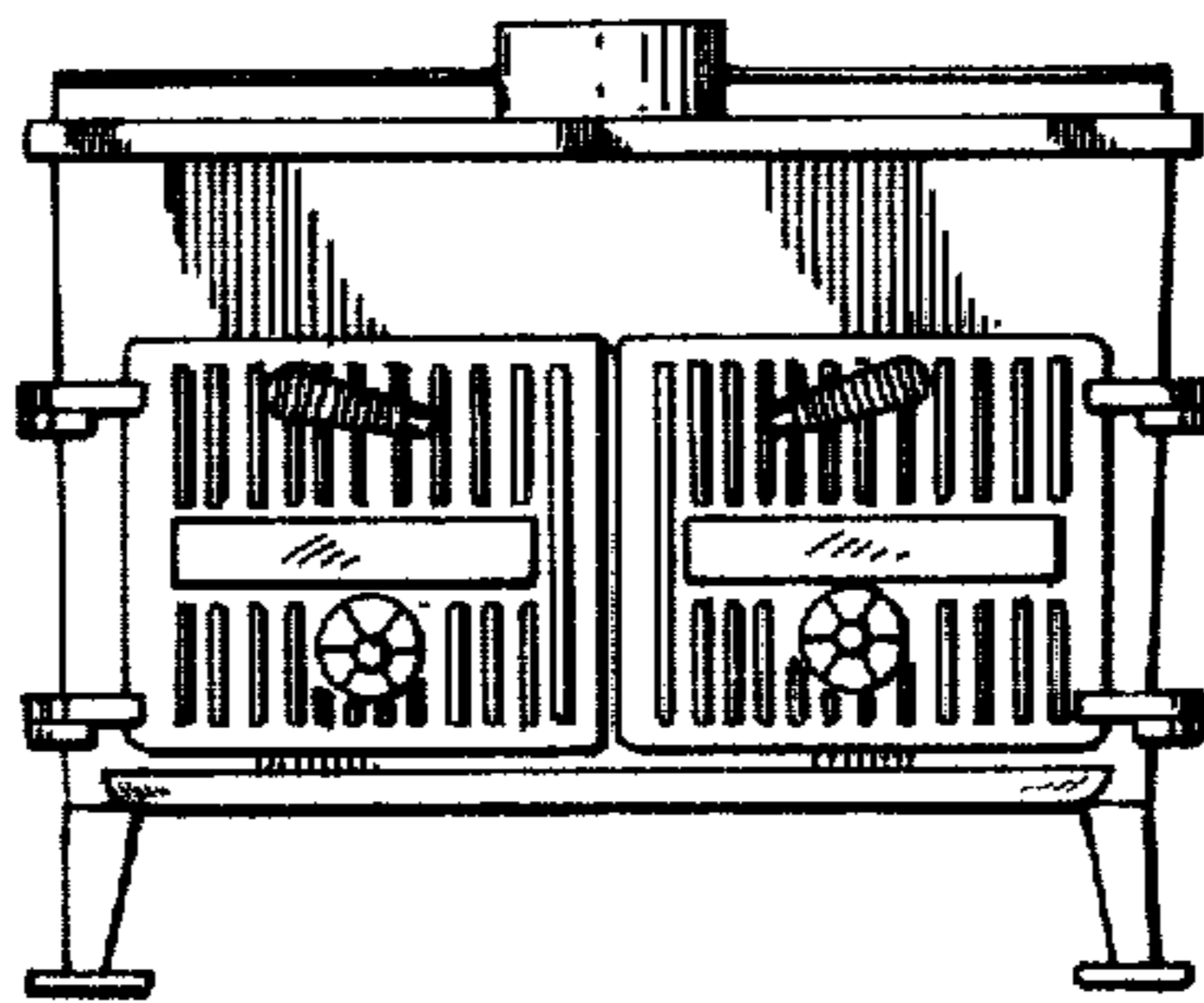


Fig. 2

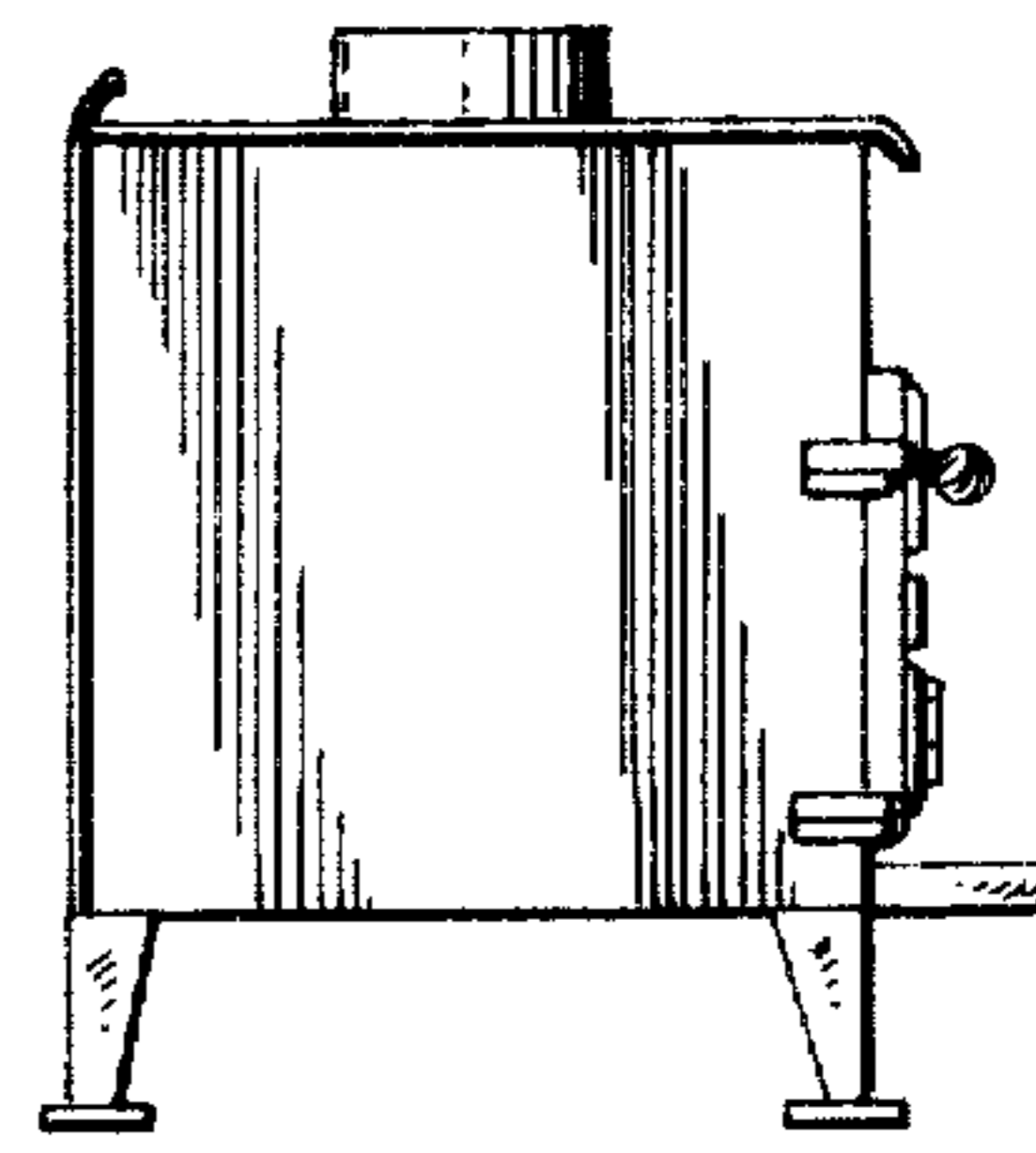


Fig. 3