

[54] HOSE COUPLING

[75] Inventors: Ho Chow, River Edge, N.J.; David L. Beaver, Long Beach, Calif.

[73] Assignee: Beatrice Foods Co., Chicago, Ill.

[**] Term: 14 Years

[21] Appl. No.: 79,234

[22] Filed: Sep. 26, 1979

[51] Int. Cl. D23-99

[52] U.S. Cl. D23/43; D23/44

[58] Field of Search D23/43, 44

[56] References Cited

U.S. PATENT DOCUMENTS

D. 93,306	9/1934	Sutton et al.	D23/43
D. 195,540	6/1963	Knight	D23/44
D. 251,676	4/1979	Fouts	D23/44
D. 254,505	3/1980	Parsons et al.	D23/44
D. 258,078	1/1981	Gallagher et al.	D23/43

OTHER PUBLICATIONS

Philadelphia Valve Co., Fuel Oil and Oil Heat, Jan. 1963, p. 101, New Hose Swivel.

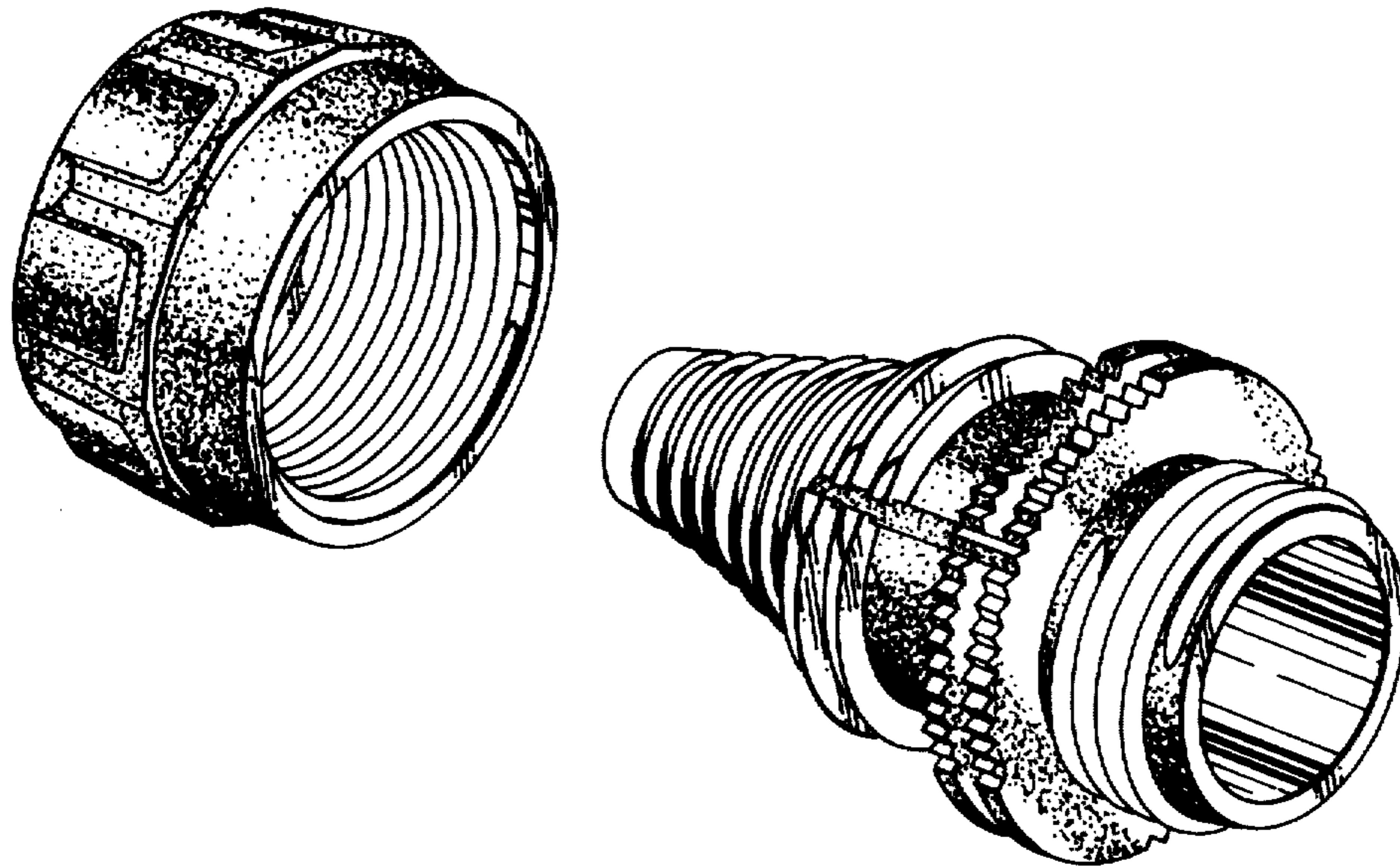
Primary Examiner—Veronica O’Keefe
Attorney, Agent, or Firm—James and Franklin

[57] CLAIM

The ornamental design for a hose coupling, as shown and described.

DESCRIPTION

FIG. 1 is an exploded perspective view of a hose coupling showing my new design;
FIG. 2 is an exploded perspective view of a second embodiment of the hose coupling;
FIG. 3 is a partially exploded elevational view of a third embodiment of the hose coupling with hose shown in broken lines for illustrative purposes only;
FIGS. 4 and 5 are end elevational views, respectively, of the nut element shown in FIGS. 1, 2 and 3, said element shown separately for clarity of illustration only;
FIG. 6 is an end view of the coupling as seen from the right of FIGS. 1, 2 and 3 with the nut removed for clarity of illustration only.



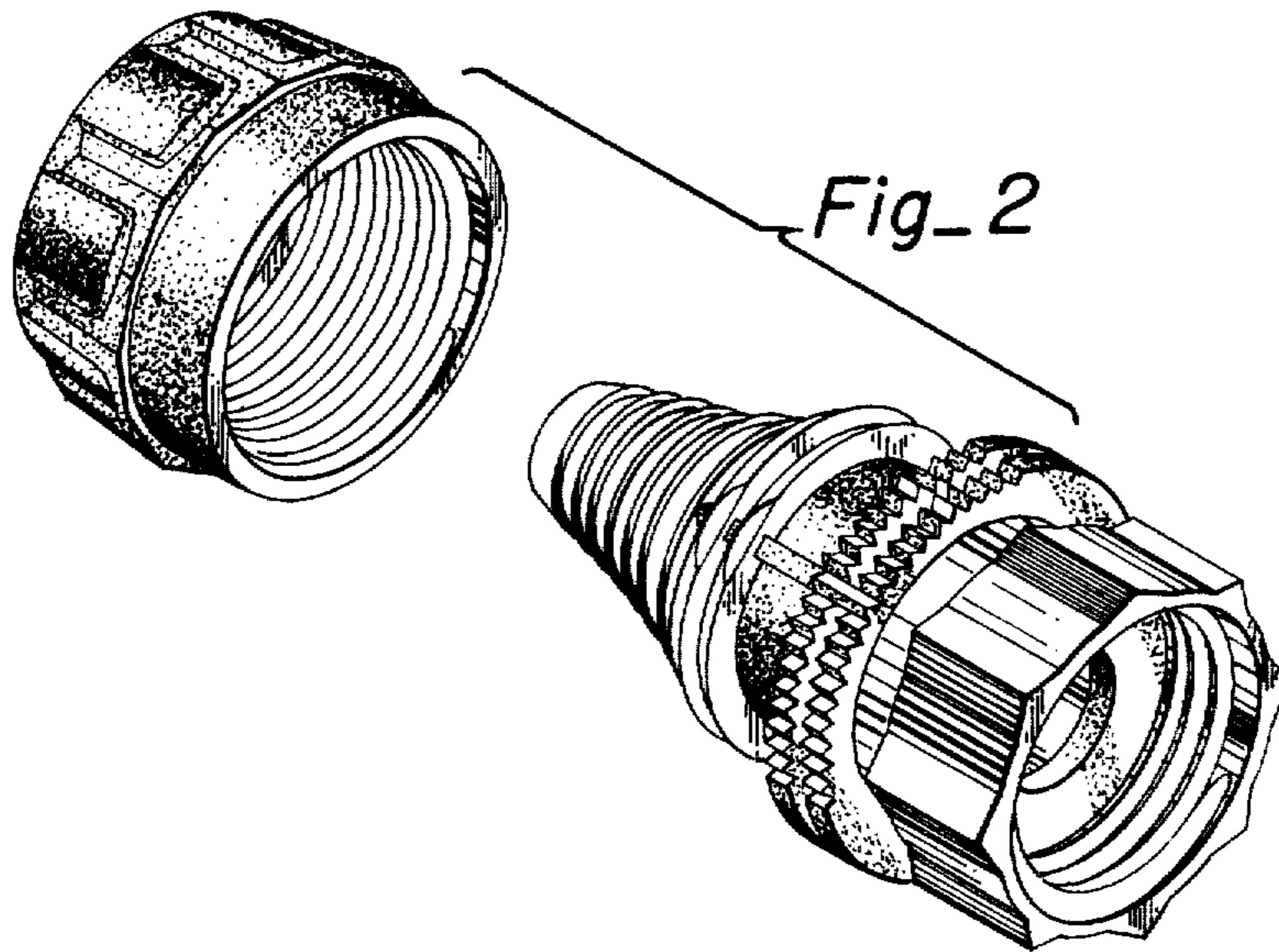
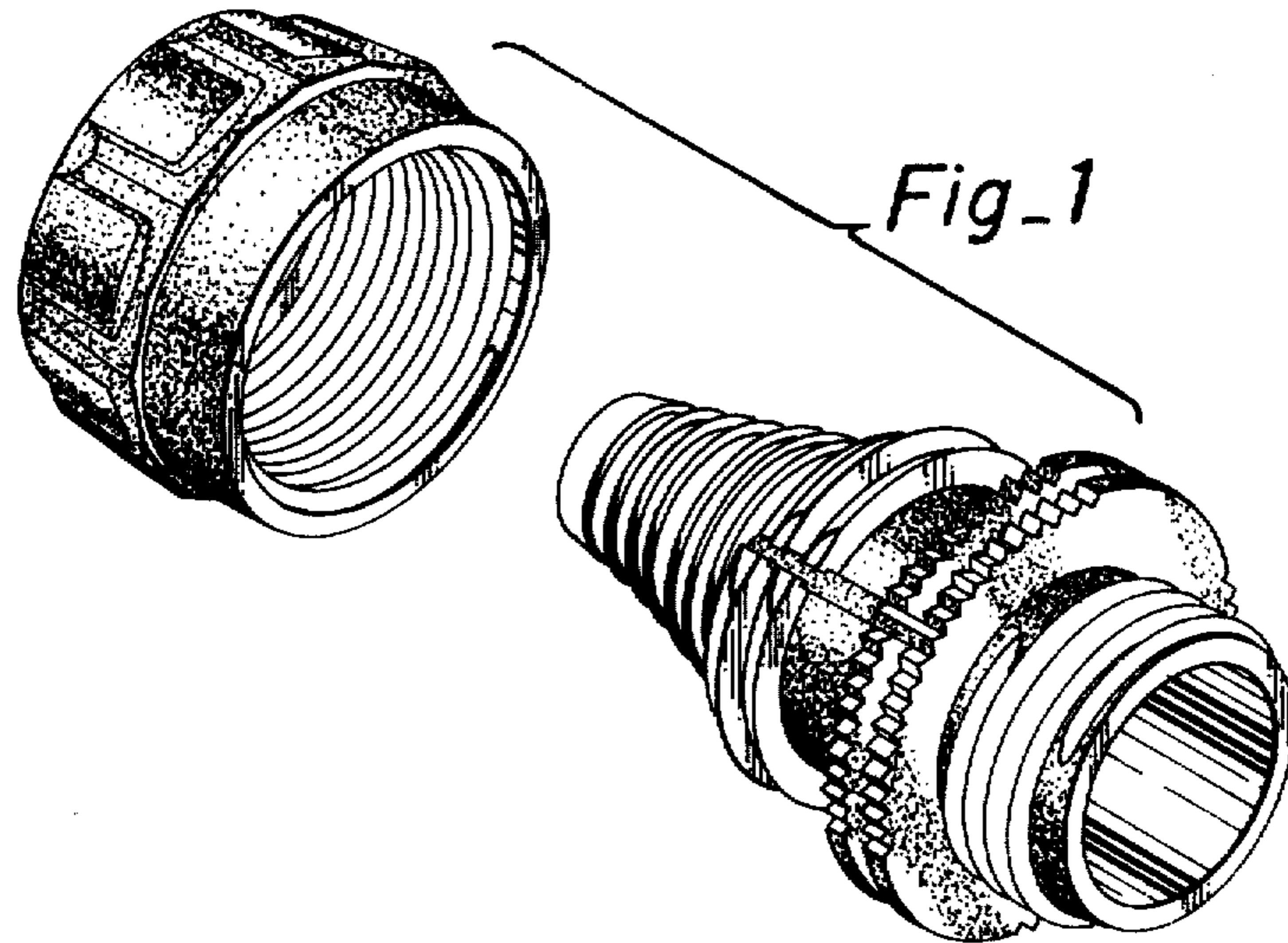
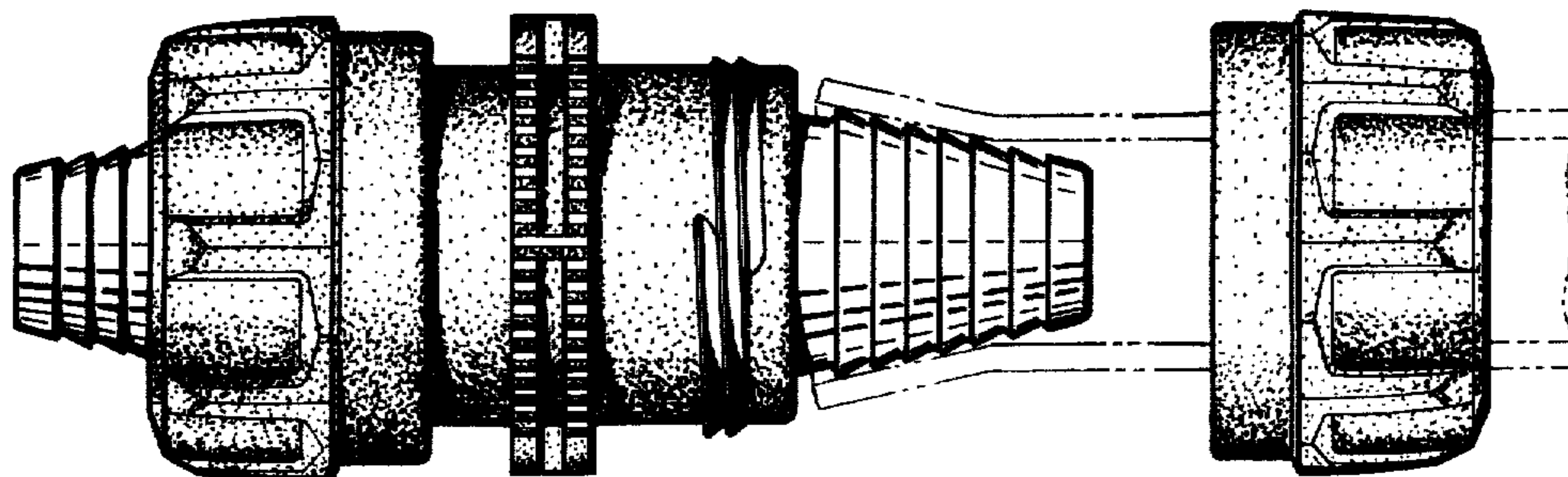
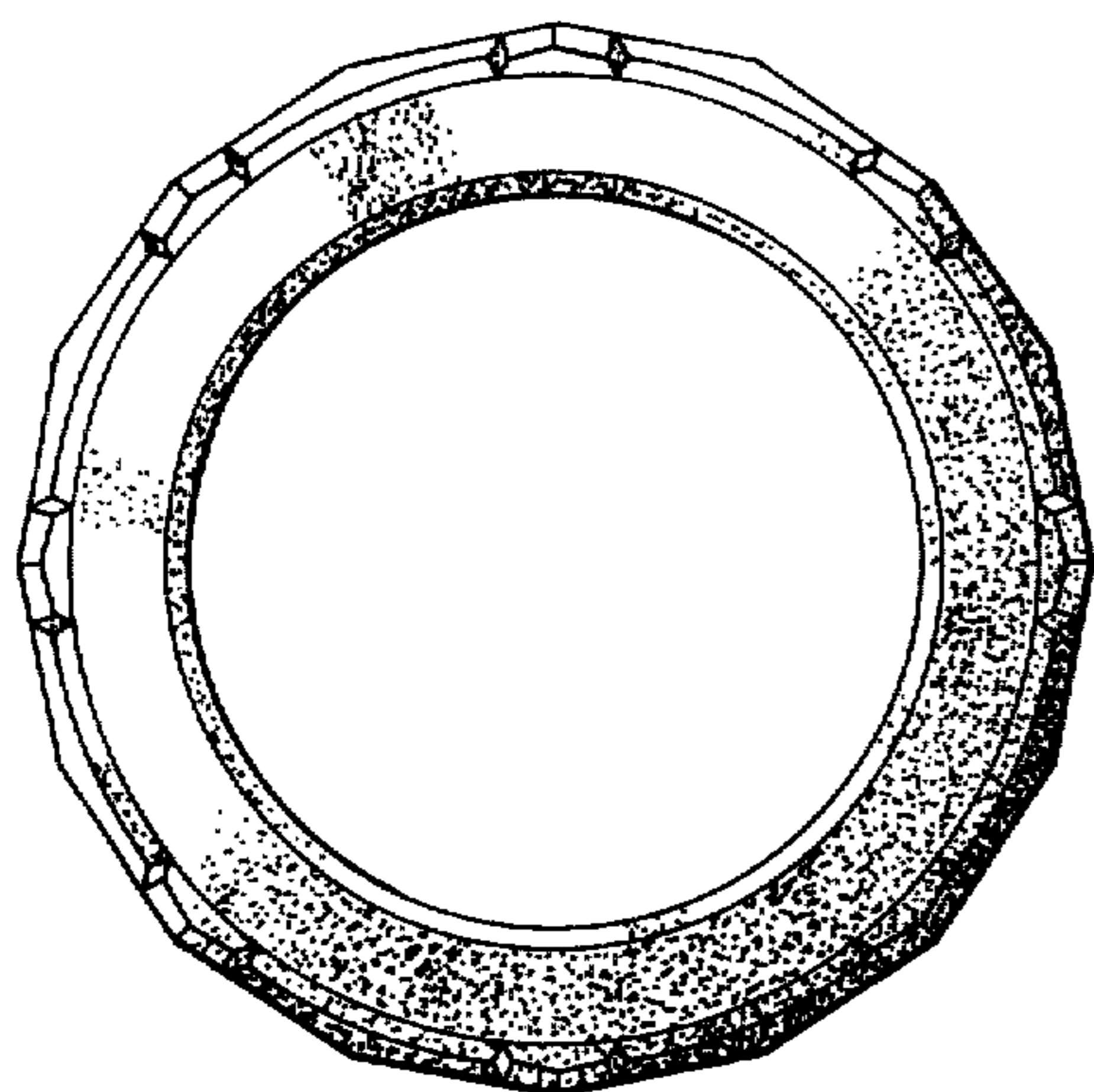
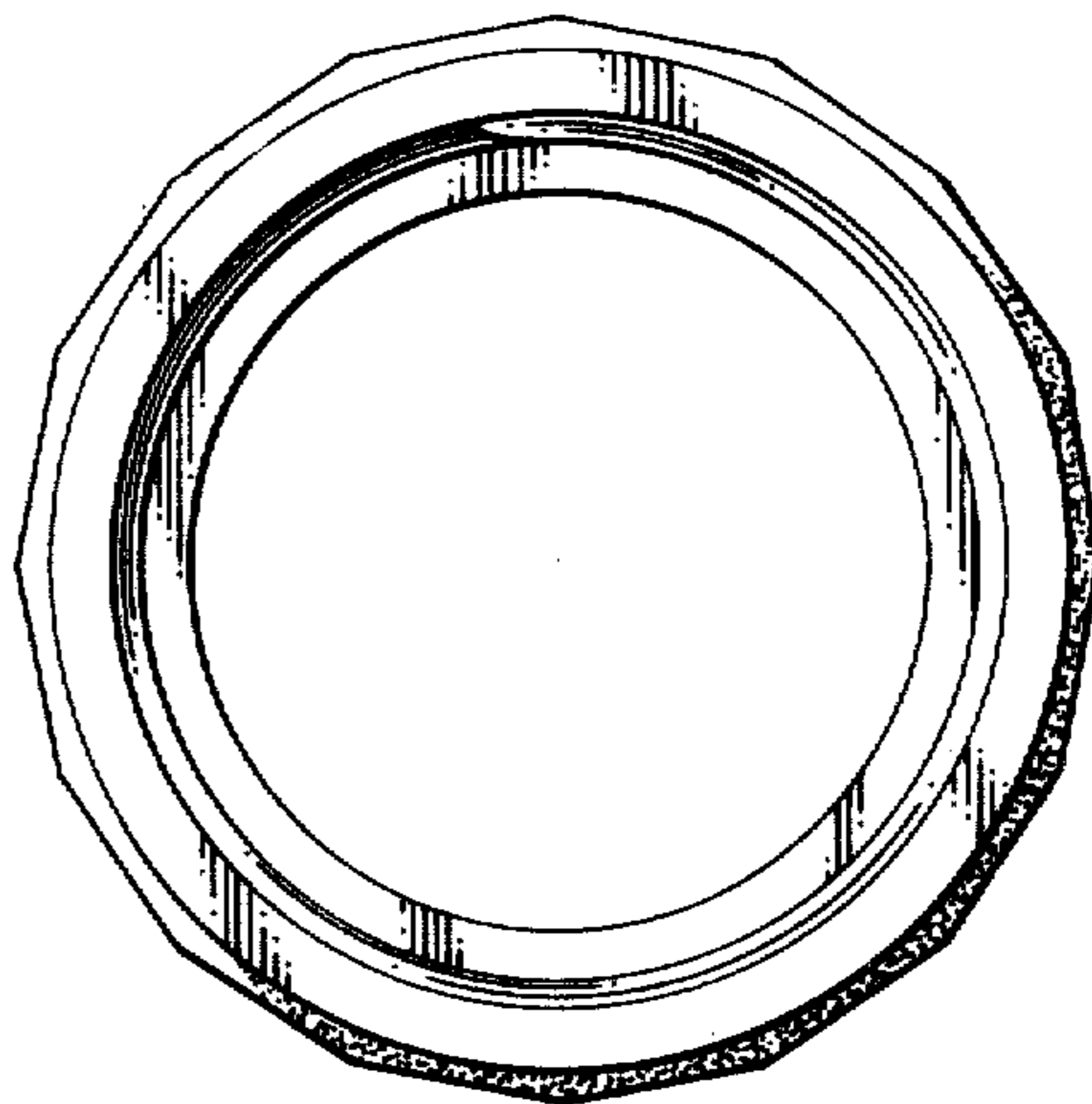


Fig-3





Fig_4



Fig_5

