

[54] GAME TABLE FOR CUE-DRIVEN BALLS

[76] Inventor: Mike J. Bighaus, Rte. 2, Box 543C, Rainier, Oreg. 97048

[**] Term: 14 Years

[21] Appl. No.: 157,430

[22] Filed: Jun. 9, 1980

[51] Int. Cl. D21-01
[52] U.S. Cl. D21/232
[58] Field of Search D21/232; 273/3 A, 3 R

[56] **References Cited**
U.S. PATENT DOCUMENTS
D. 249,971 10/1978 Fields, Jr. D21/232

OTHER PUBLICATIONS

Wards Xmas Cat., 1973, p. 358, lower right, The "Twiner".

Primary Examiner—Melvin B. Feifer
Attorney, Agent, or Firm—Klarquist, Sparkman, Campbell, Leigh, Winston & Dellett

[57] CLAIM

The ornamental design for a game table for cue-driven balls, as shown and described.

DESCRIPTION

FIG. 1 is a top perspective view of a game table for cue driven balls showing my new design;
FIG. 2 is a top plan view thereof;
FIG. 3 is a bottom perspective view thereof;
FIG. 4 is a side elevation of the side opposite FIG. 1; and
FIG. 5 is an end elevation taken from the right of FIG. 1.

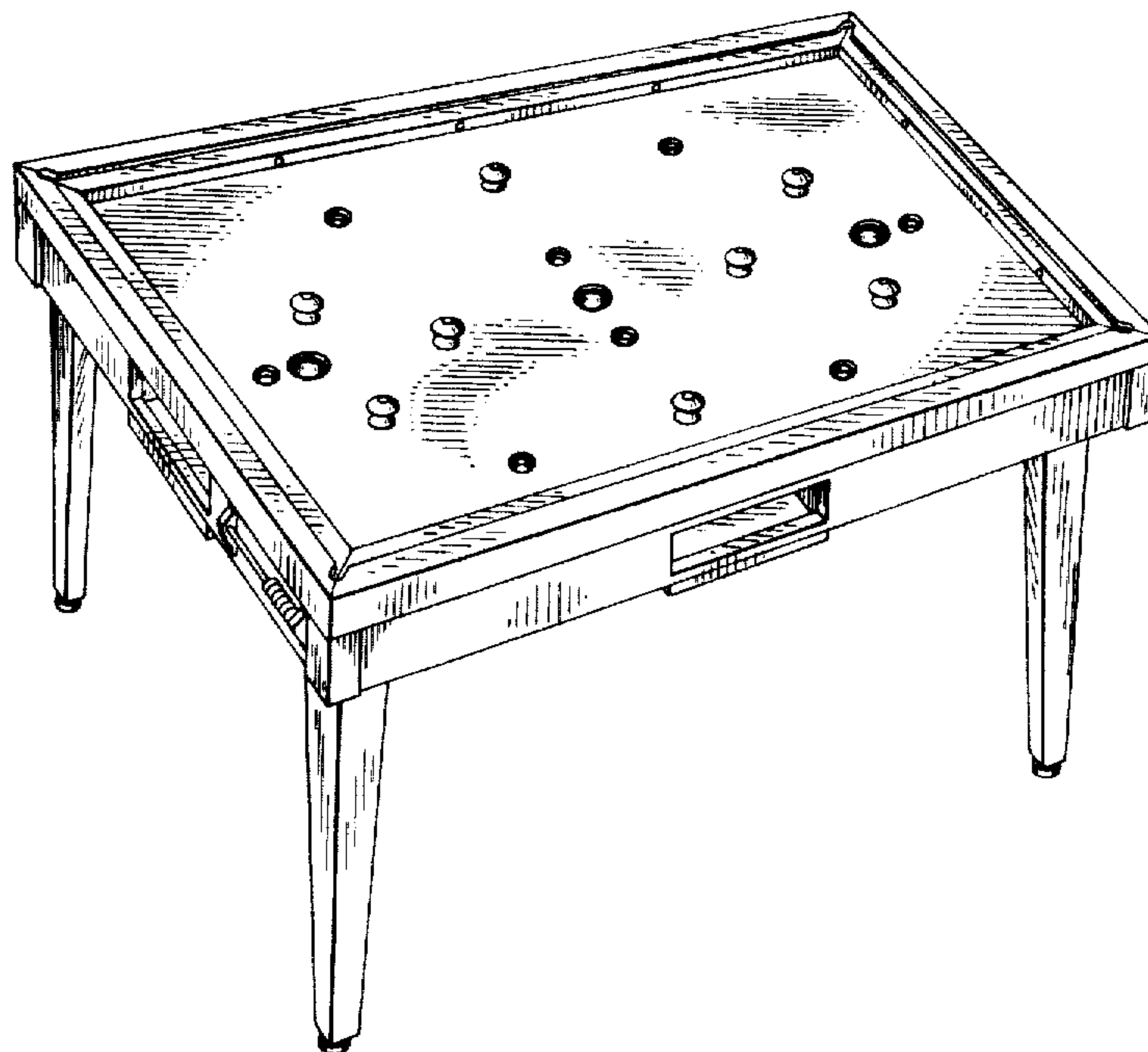


FIG. 1

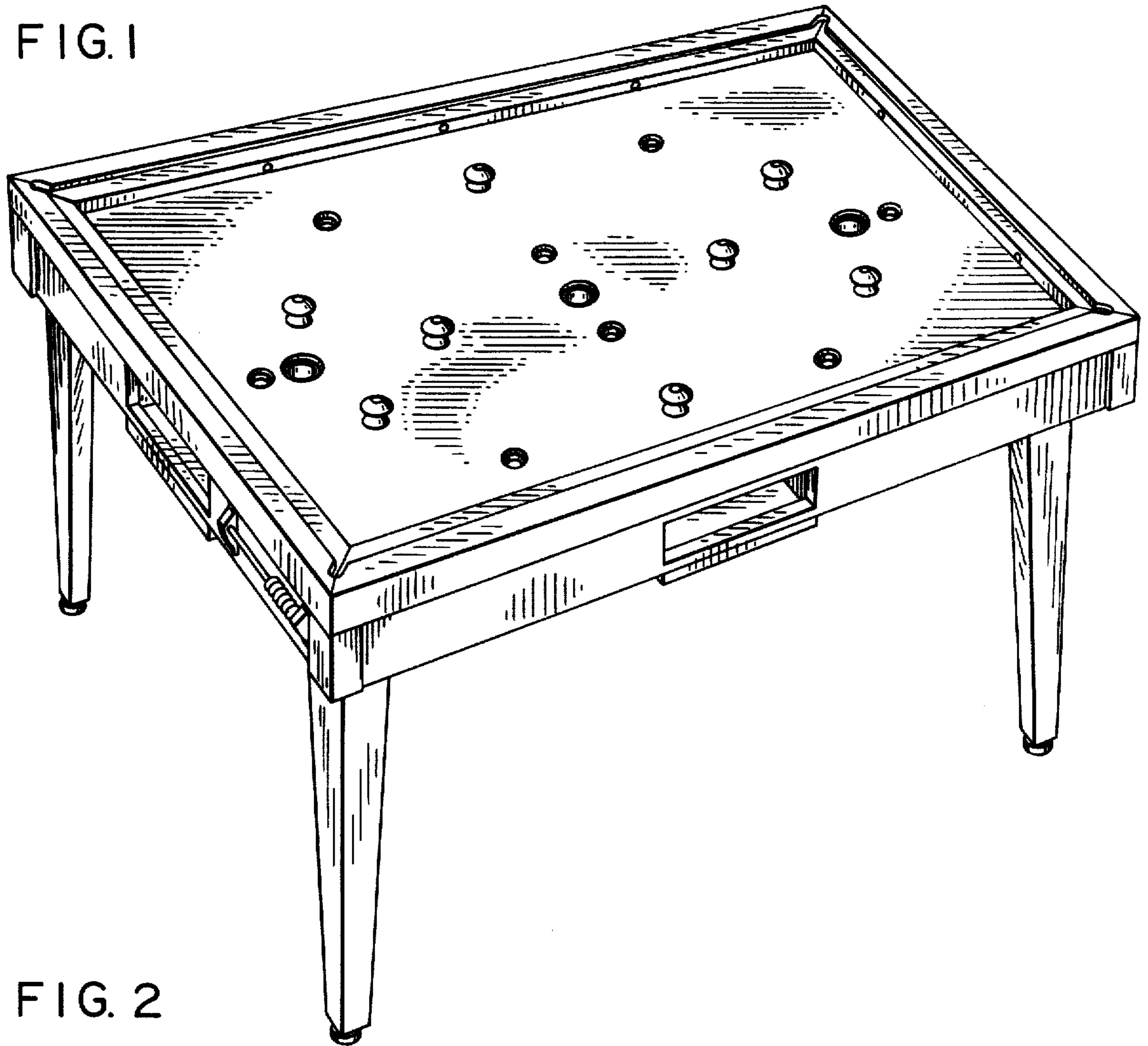


FIG. 2

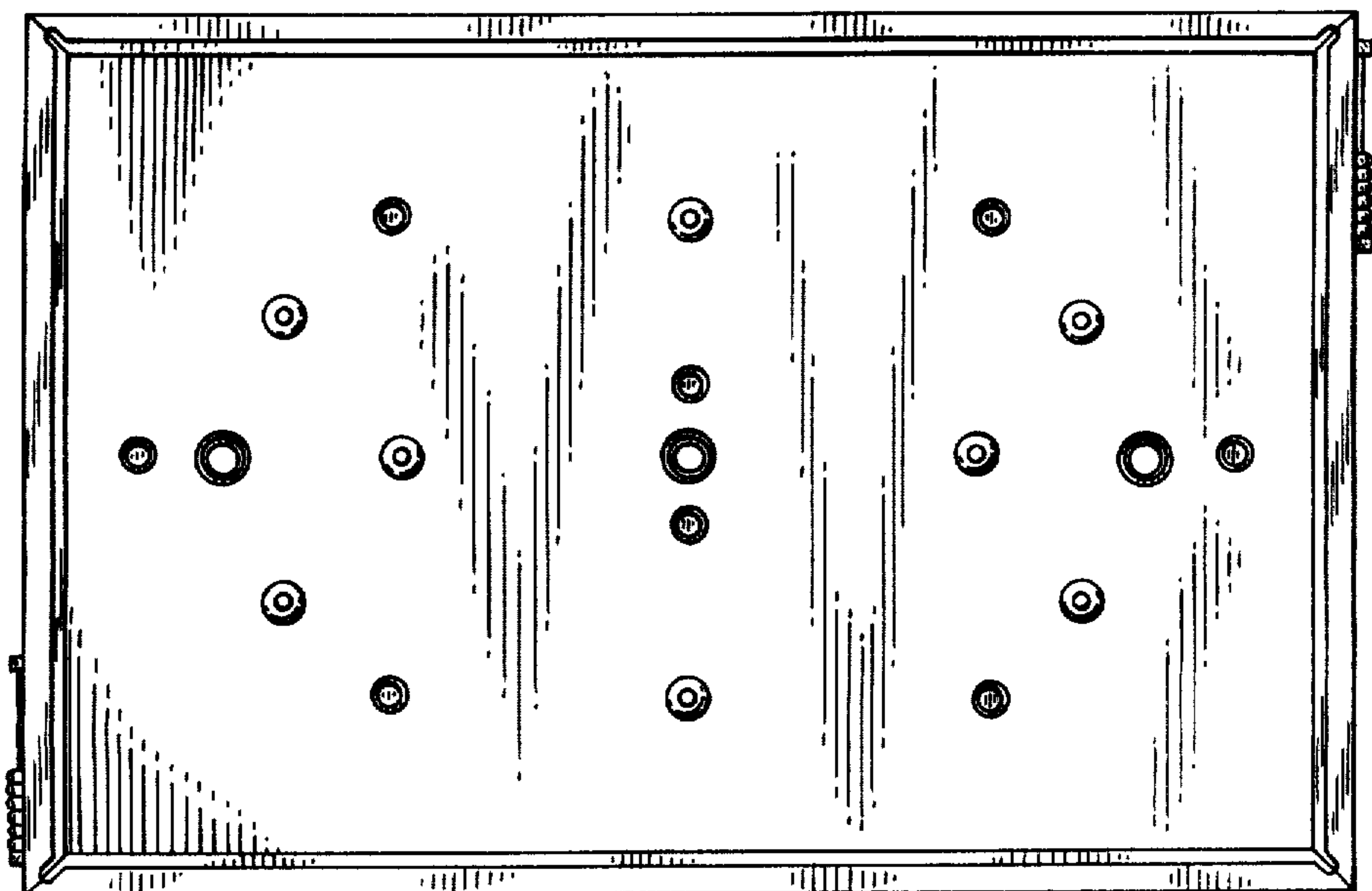


FIG. 3

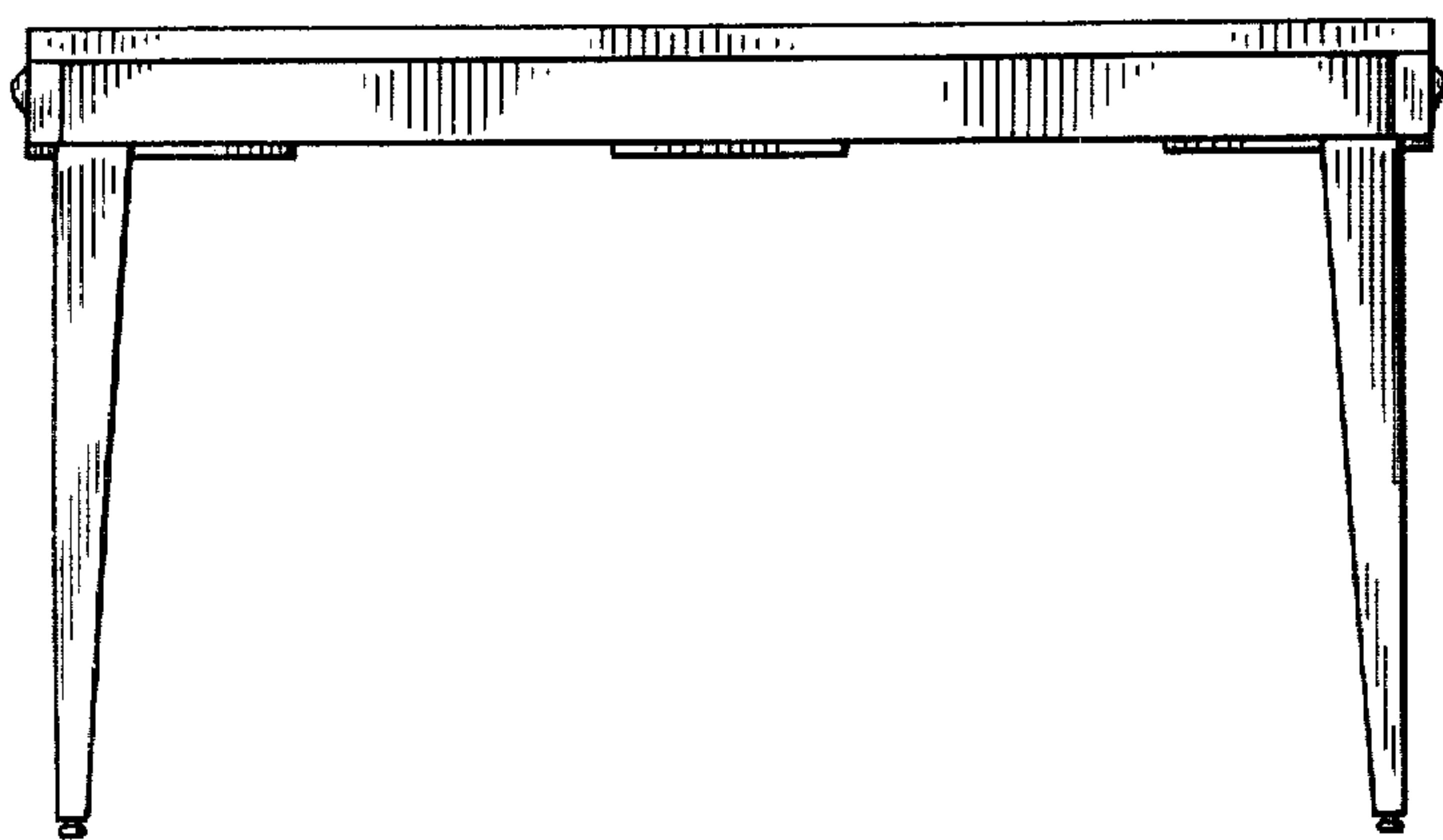
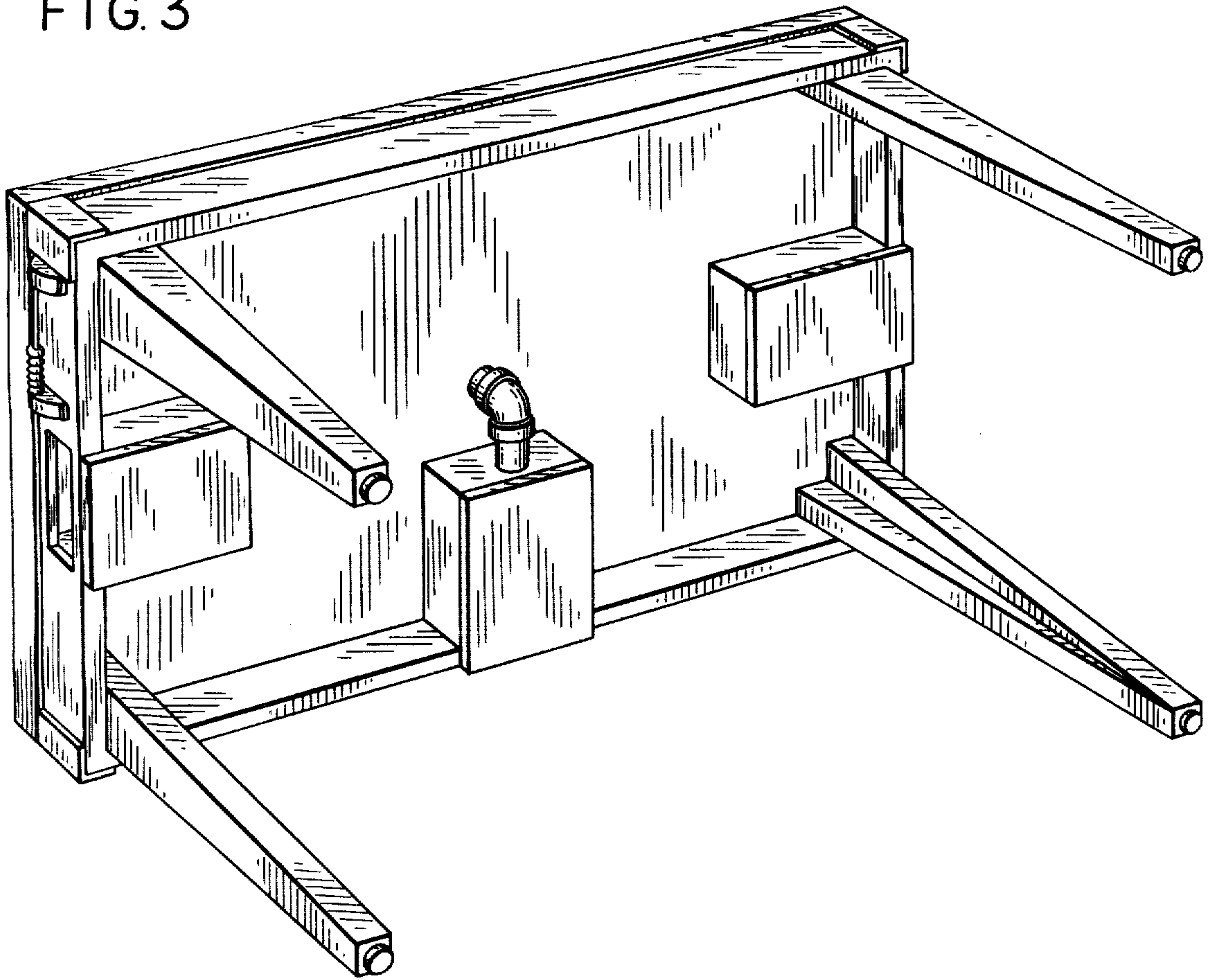


FIG. 4

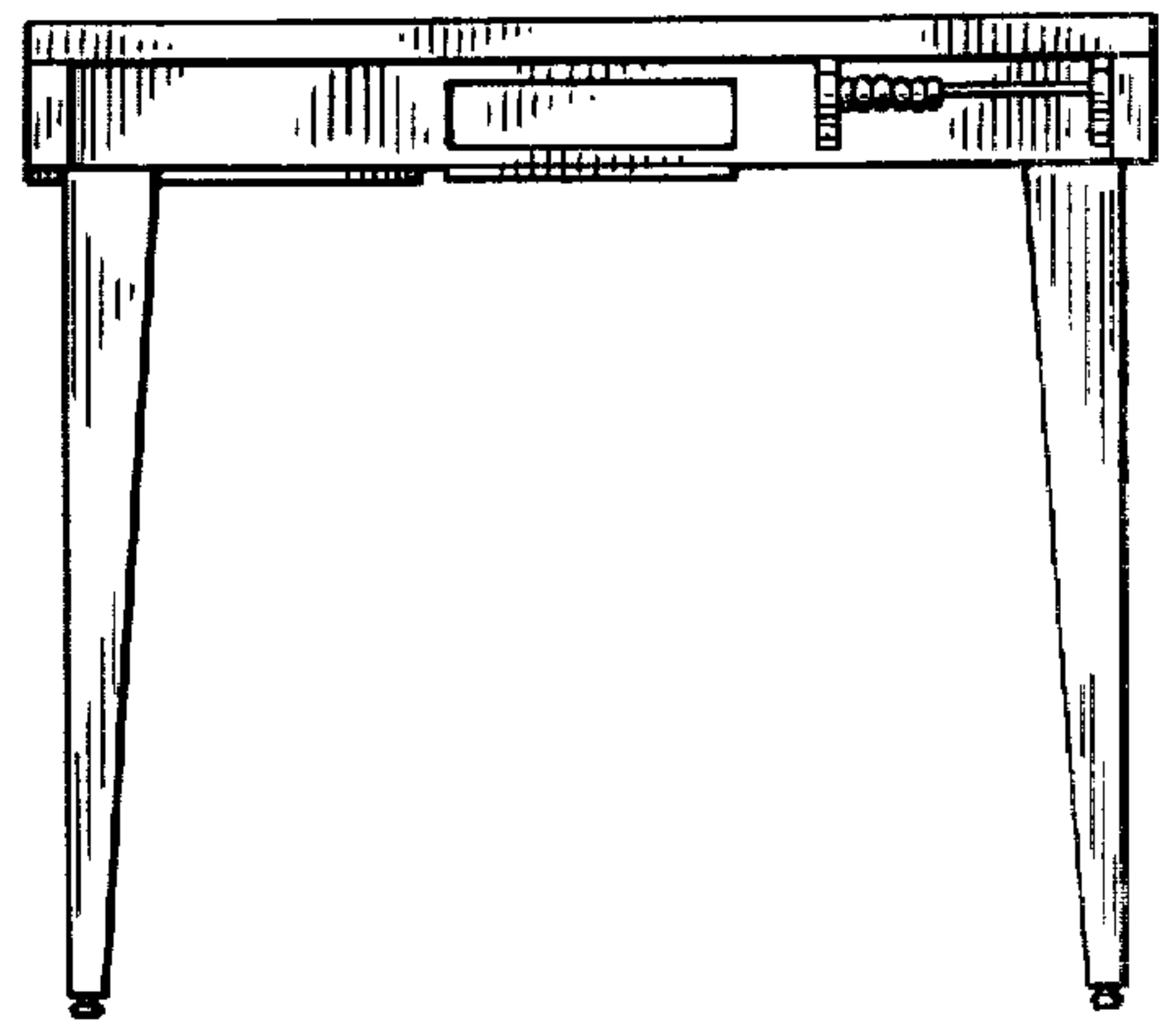


FIG. 5