

[54] ROLLER SKATE BASE PLATE

[56] References Cited

[76] Inventors: Dennis D. Riggs, 415 Pile St., Ramona, Calif. 92065; Daniel J. Seach, 2082 Villagewood Rd., Encinitas, Calif. 92024

U.S. PATENT DOCUMENTS

D. 158,076 4/1950 Jack 280/11.19
D. 162,129 2/1951 Coldwell D21/225
D. 186,178 9/1959 Reynolds D21/225

Primary Examiner—Charles A. Rademaker
Attorney, Agent, or Firm—Frank D. Gilliam

[**] Term: 14 Years

[57] CLAIM

[21] Appl. No.: 181,209

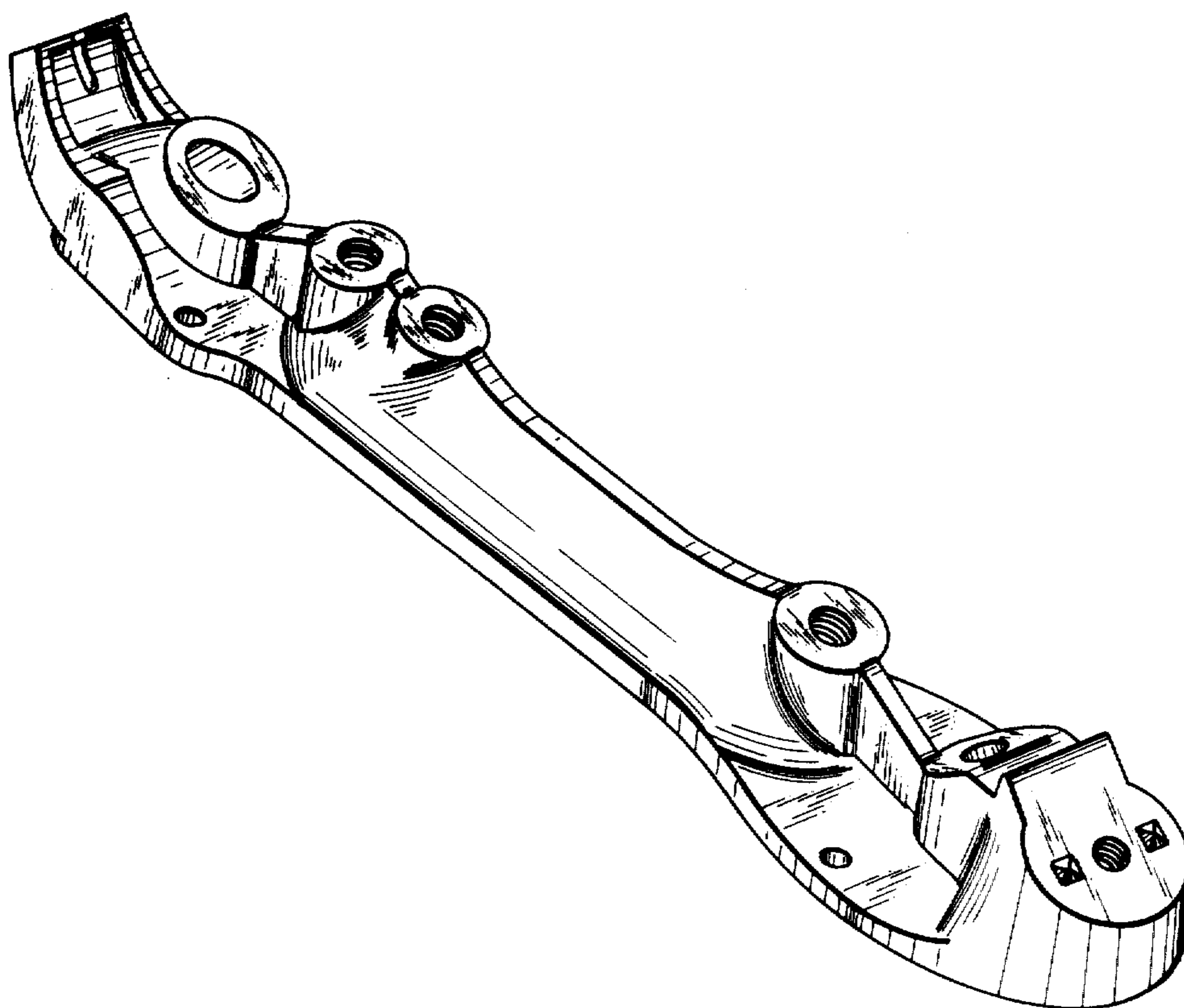
The ornamental design for a roller skate base plate, substantially as shown.

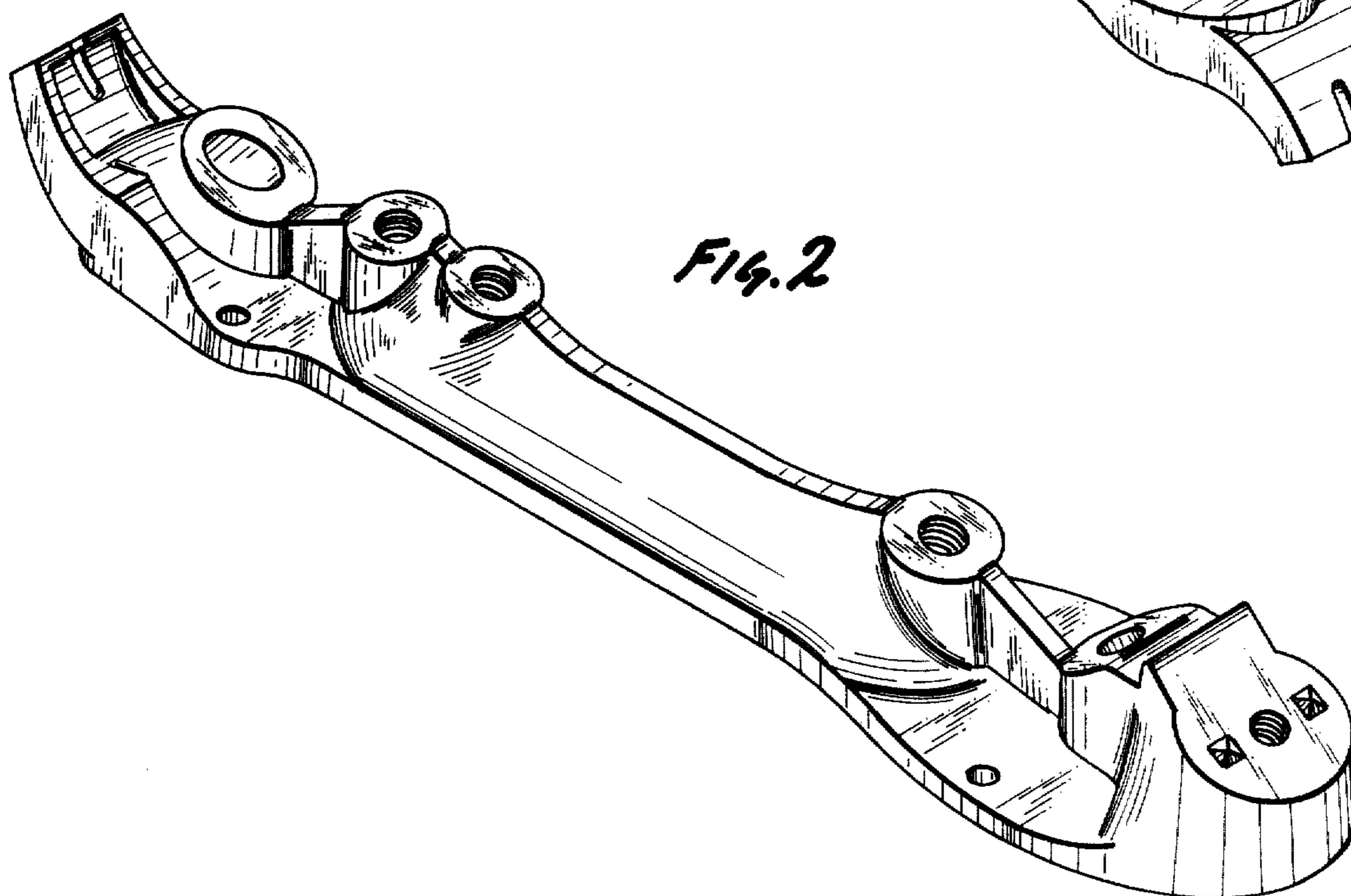
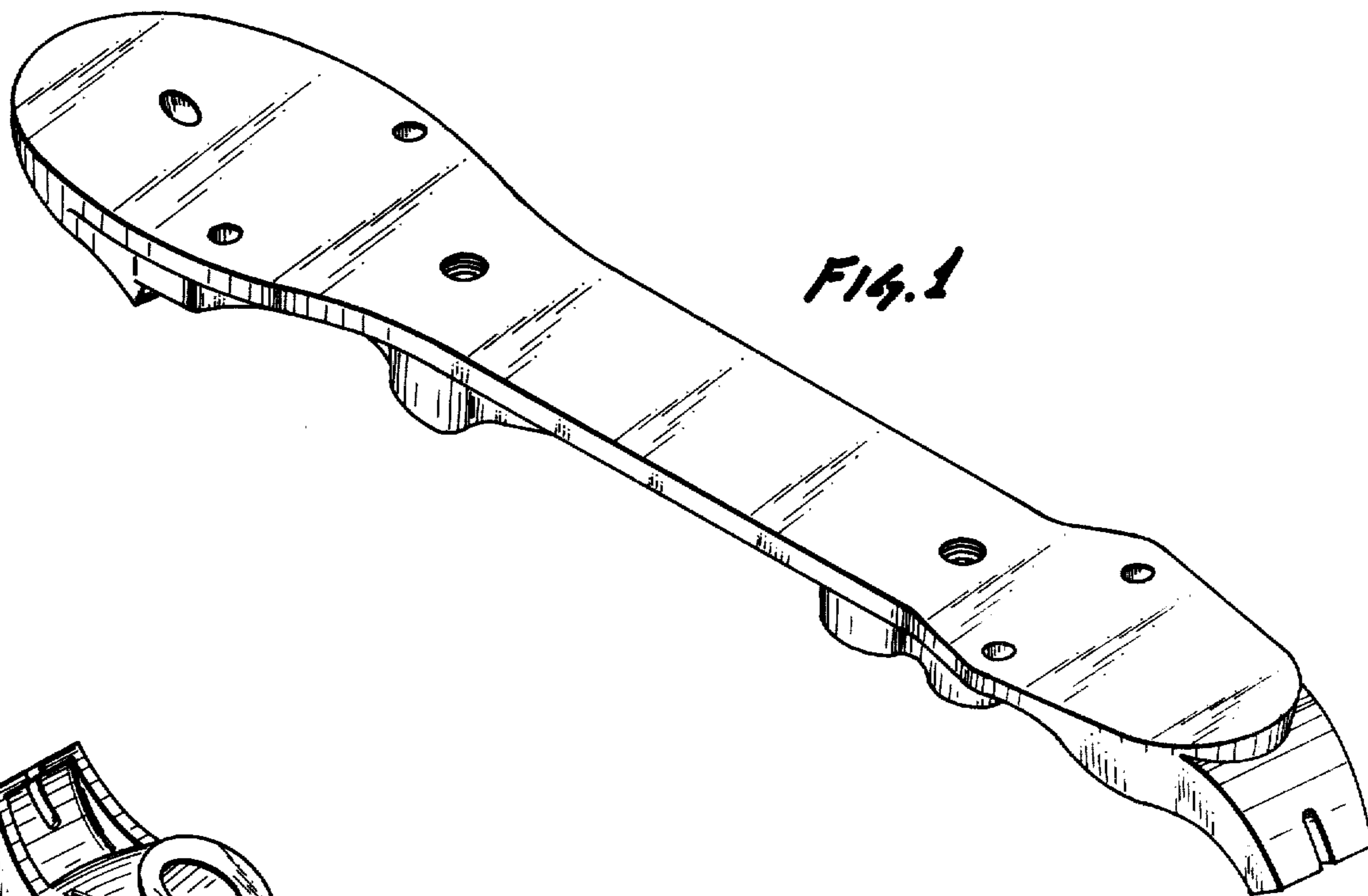
[22] Filed: Aug. 25, 1980

DESCRIPTION

[51] Int. Cl. D21-02
[52] U.S. Cl. D21/226
[58] Field of Search D21/224, 225, 226;
280/11.12, 11.19, 11.2

FIG. 1 is a top perspective view of a roller skate base plate showing our new design;
FIG. 2 is a bottom perspective view thereof;
FIG. 3 is a bottom plan view thereof;
FIG. 4 is a side elevational view thereof; and
FIG. 5 is a front elevational view thereof.





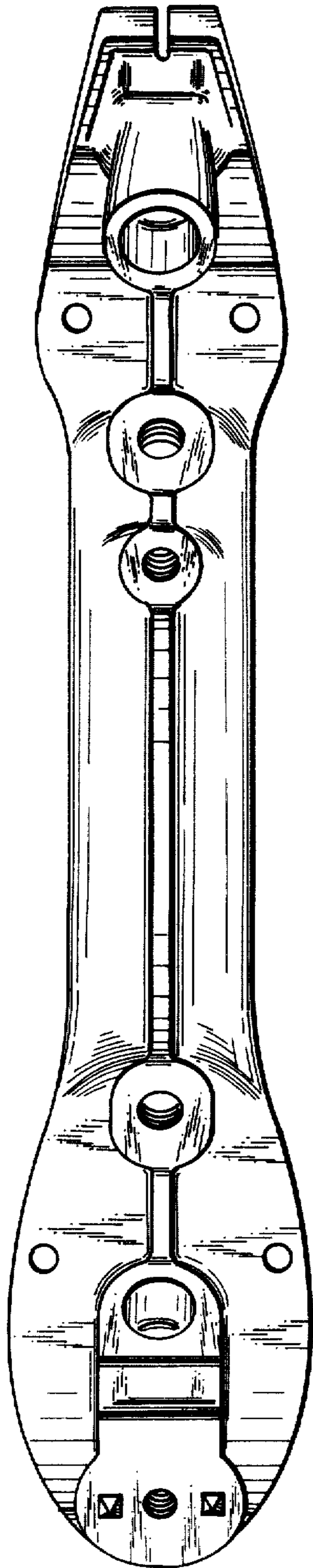


Fig. 3

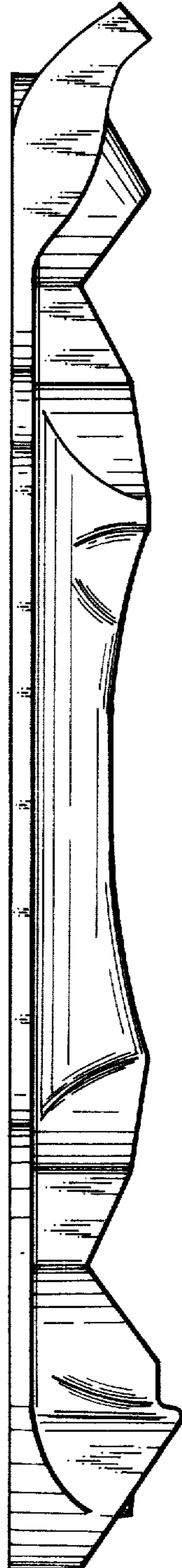


Fig. 4

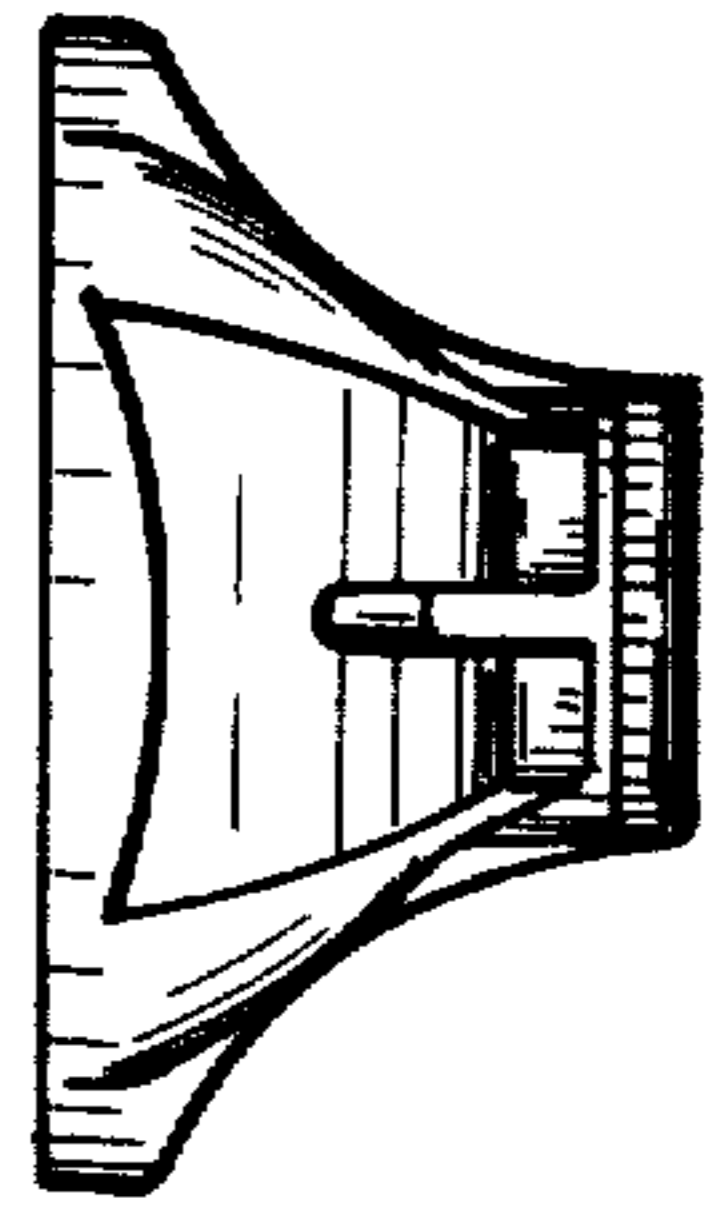


Fig. 5