

[54] **TENNIS REBOUND BOARD**

[76] Inventor: **William B. Millikan**, 7592 Dehesa Ct., Carlsbad, Calif. 92008

[**] Term: **14 Years**

[21] Appl. No.: **175,059**

[22] Filed: **Aug. 4, 1980**

[51] Int. Cl. **D21-02**
[52] U.S. Cl. **D21/199**
[58] Field of Search **D21/200, 199; 273/29 A, 273/396, 30; D19/52**

[56]

References Cited

U.S. PATENT DOCUMENTS

D. 235,790 7/1975 Zimmers et al. **D21/199**
3,563,544 2/1971 Hedrick **273/29 A**
3,659,850 5/1972 Psenka **273/30**
4,093,218 6/1978 Burchers **273/29 A**

Primary Examiner—Melvin B. Feifer
Attorney, Agent, or Firm—Duane C. Bowen

[57]

CLAIM

The ornamental design for a tennis rebound board, as shown.

DESCRIPTION

FIG. 1 is a perspective view of a tennis rebound board showing my new design;
FIG. 2 is a side elevational view thereof;
FIG. 3 is a rear elevational view thereof; and
FIG. 4 is a bottom view thereof.

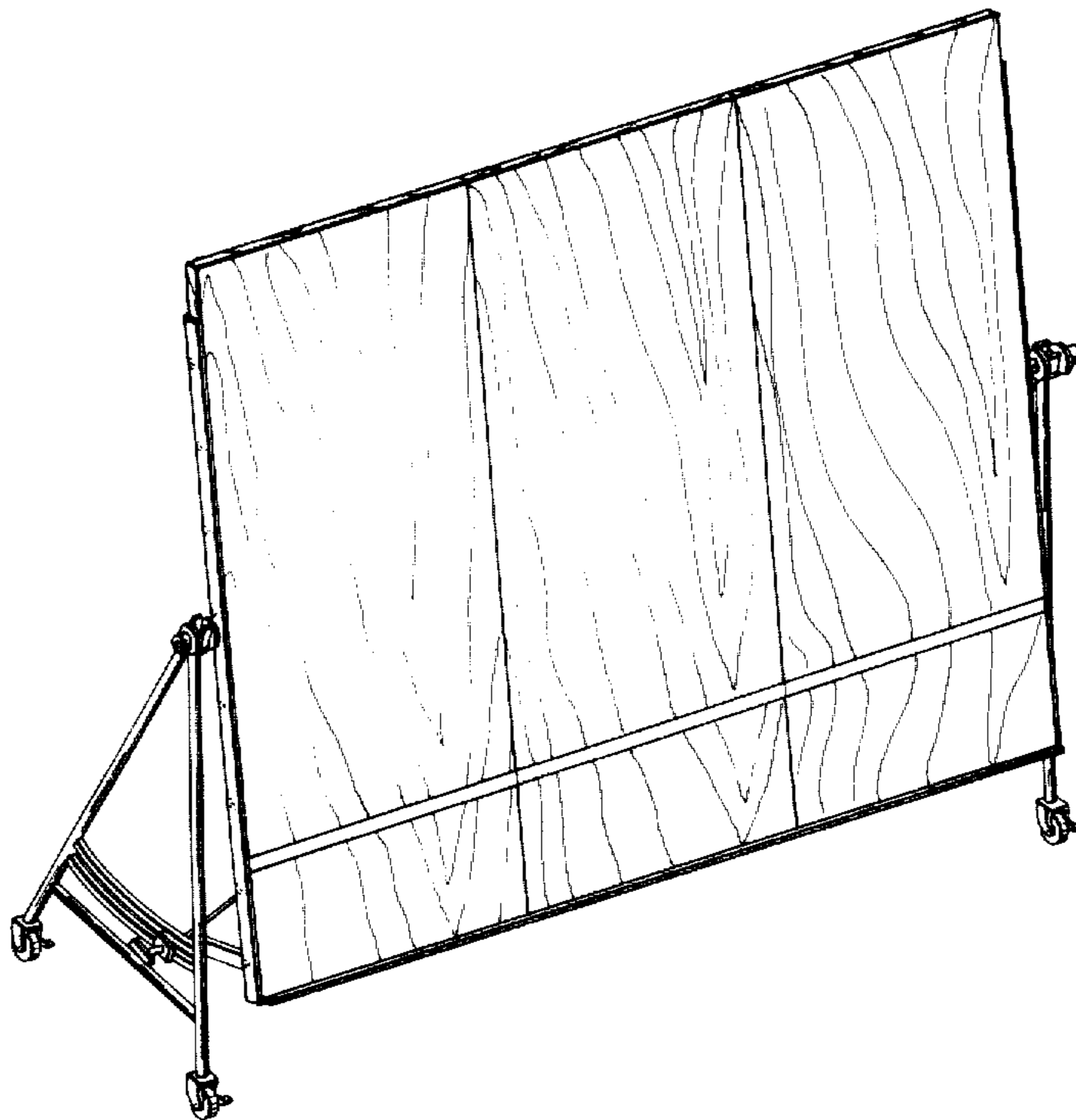


FIG. 1

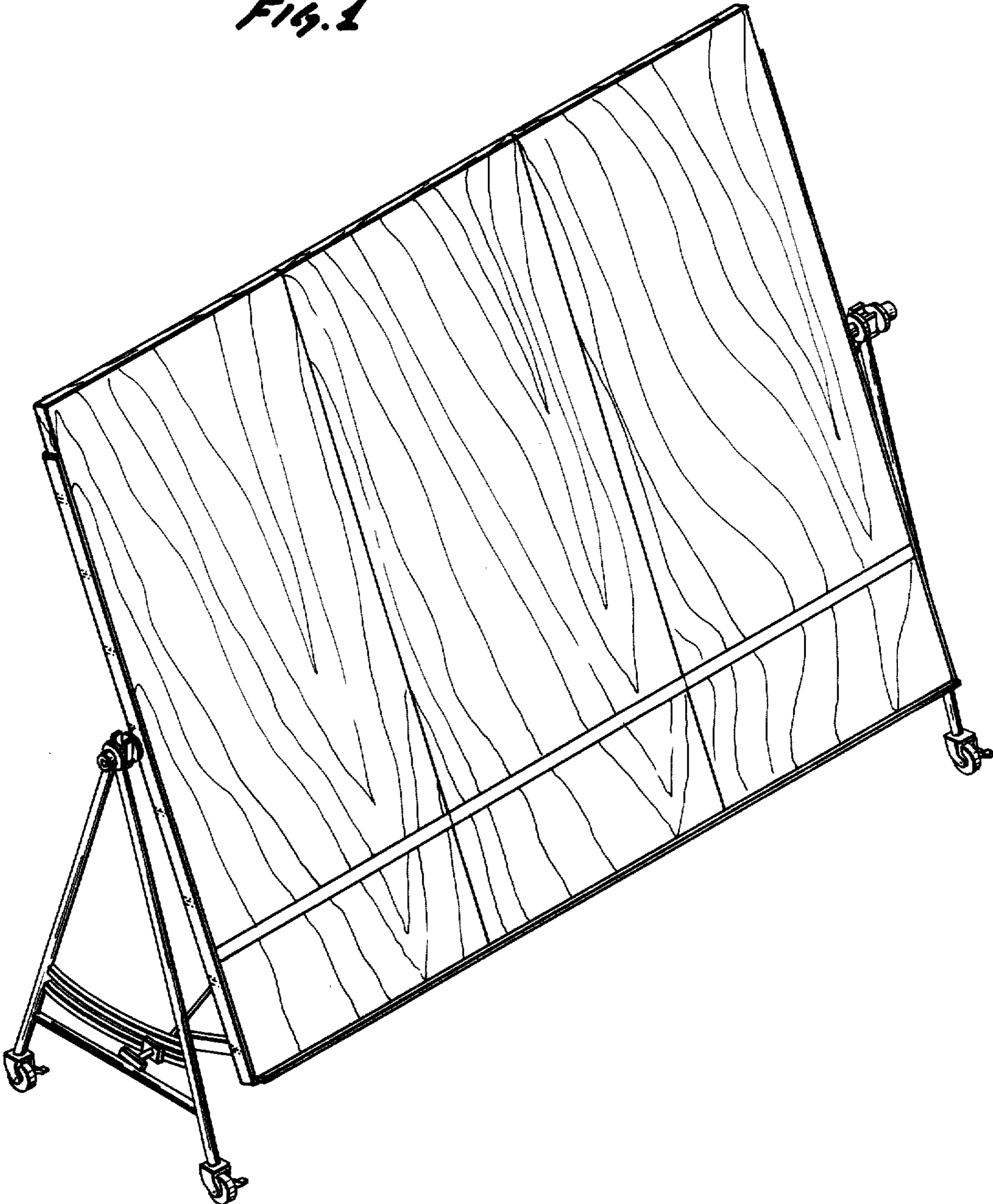
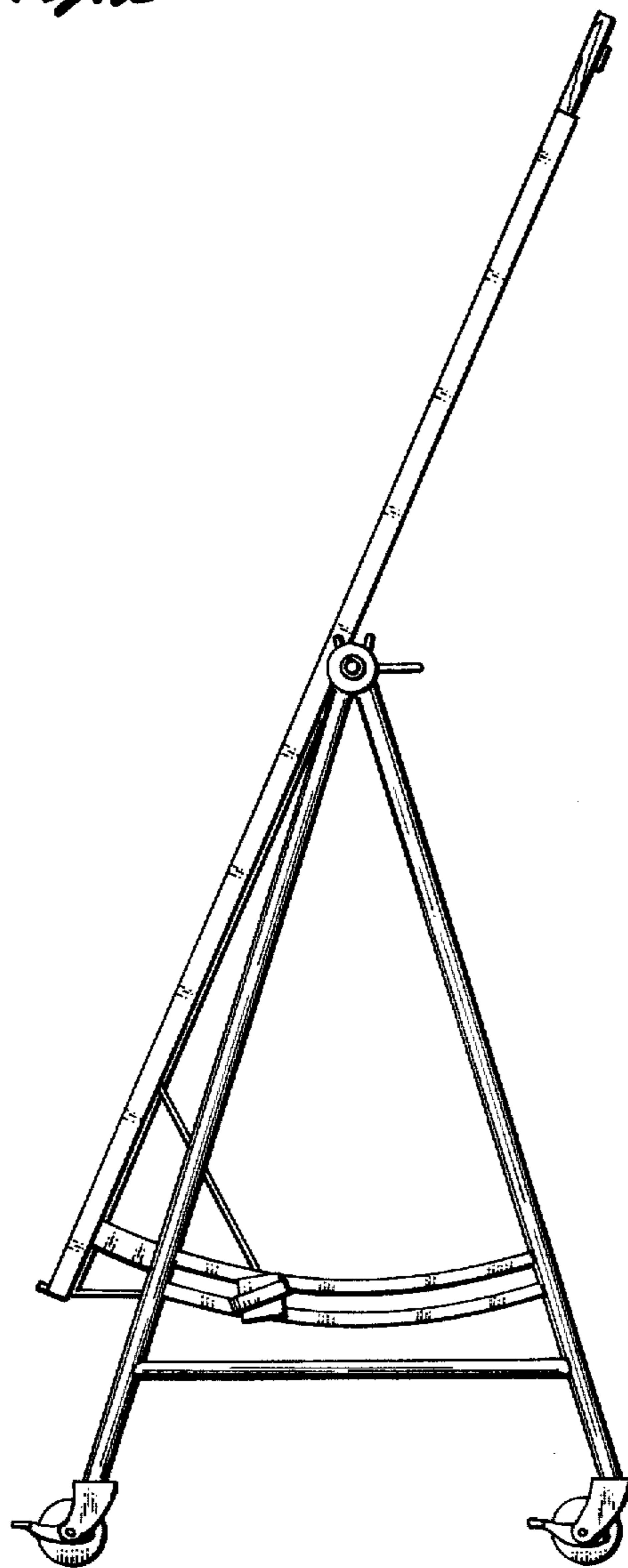


Fig. 2



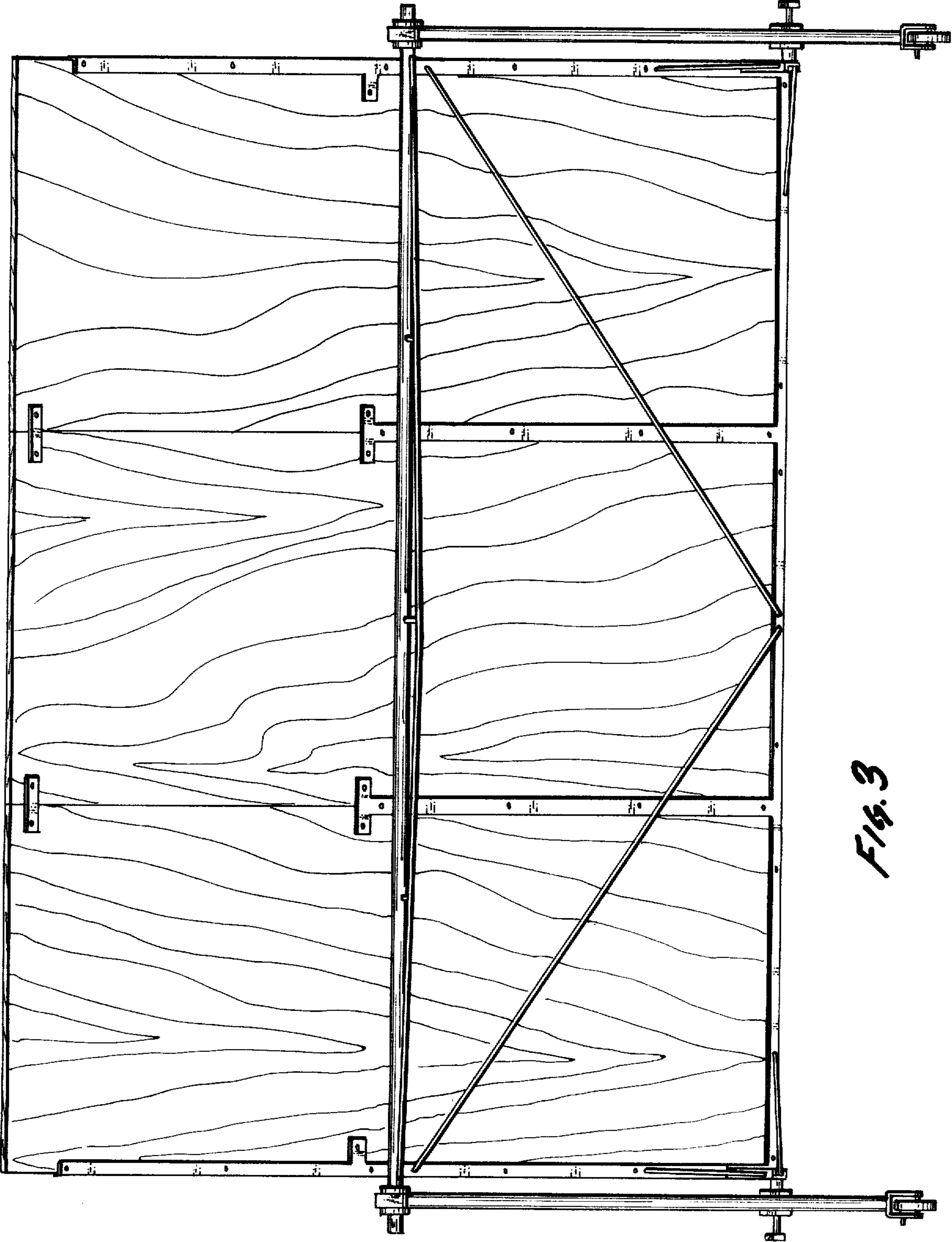


Fig. 3

Fig. A

