

[54] **EXERCISE TREADMILL**

[75] Inventor: **Raymond L. Summerlot, Terre Haute, Ind.**

[73] Assignee: **Nissen Corporation, Cedar Rapids, Iowa**

[**] Term: **14 Years**

[21] Appl. No.: **35,520**

[22] Filed: **May 3, 1979**

[51] Int. Cl. **D21-02**

[52] U.S. Cl. **D21/192**

[58] Field of Search **D21/191, 192; 272/69, 272/112, 116, 126**

[56]

References Cited

U.S. PATENT DOCUMENTS

D. 218,868 9/1970 Coper D21/191
D. 219,744 1/1971 Hesen D21/192

Primary Examiner—Charles A. Rademaker
Attorney, Agent, or Firm—Fleit & Jacobson

[57]

CLAIM

The ornamental design for an exercise treadmill, substantially as described and shown.

DESCRIPTION

FIG. 1 is a perspective view of an exercise treadmill showing my new design;
FIG. 2 is a right side elevational view thereof, the side opposite being substantially a mirror image;
FIG. 3 is a front elevational view thereof;
FIG. 4 is a rear elevational view thereof; and
FIG. 5 is a top plan view thereof.
The bottom of the design is plain and unornamented.

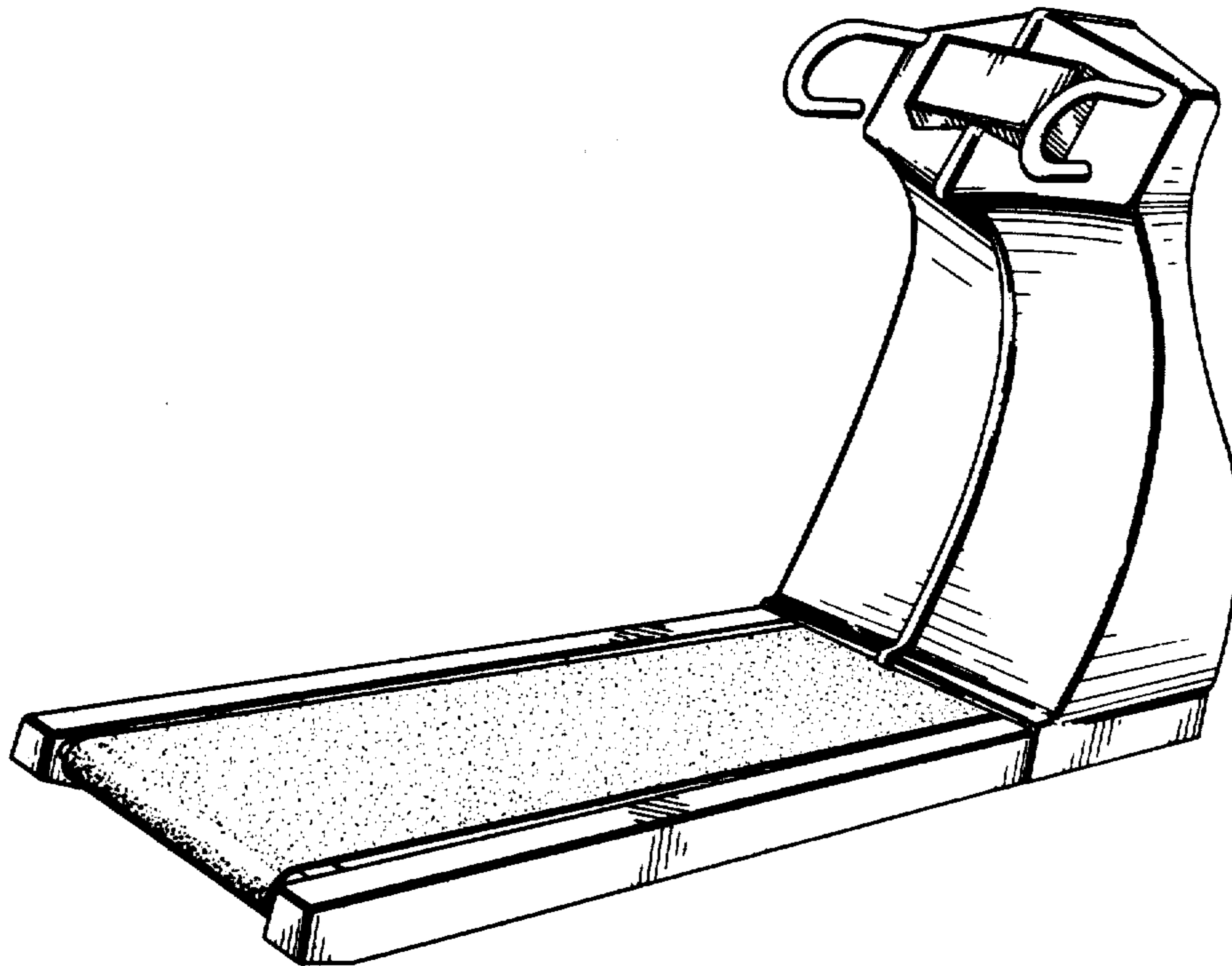


FIG 1

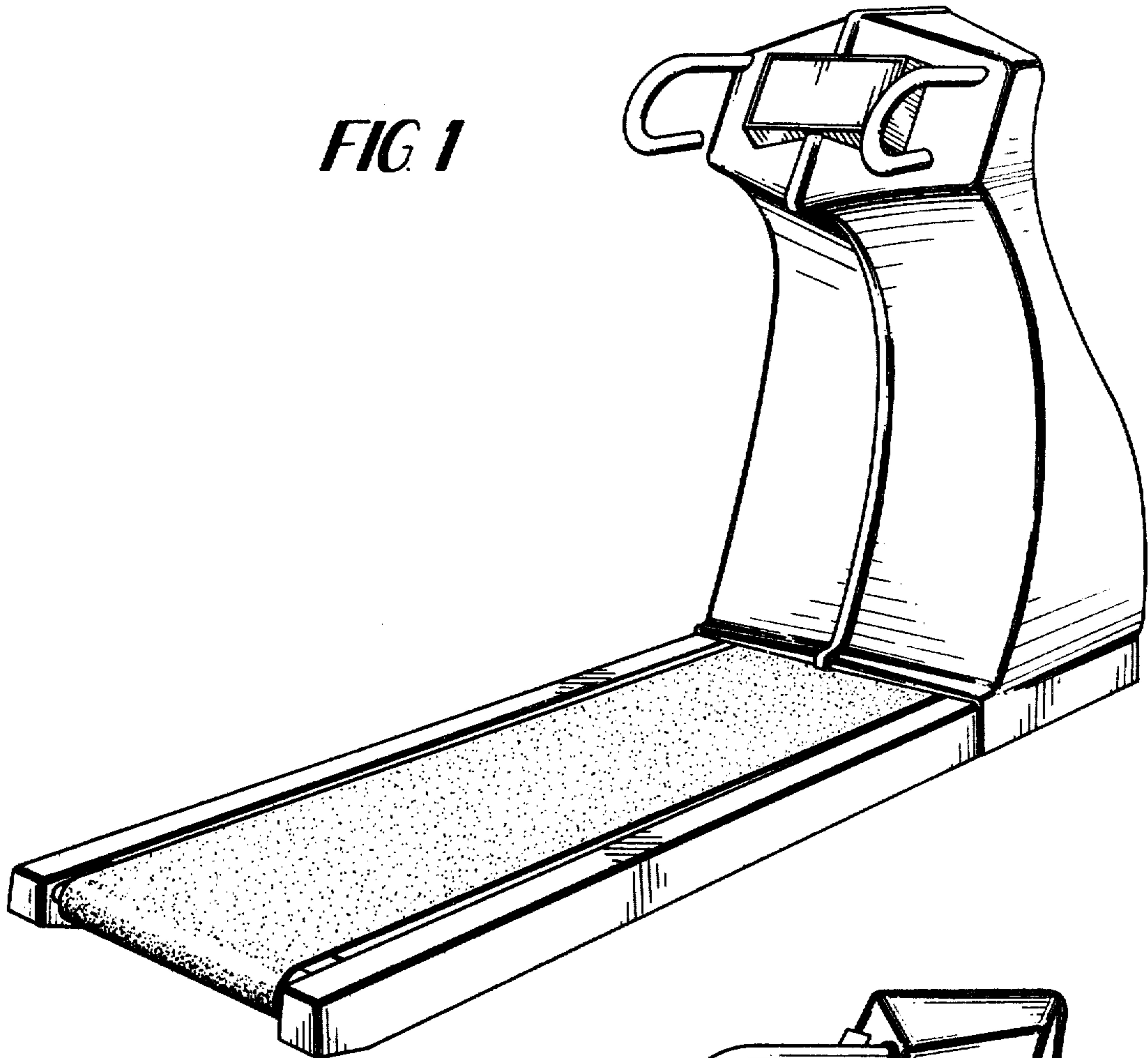
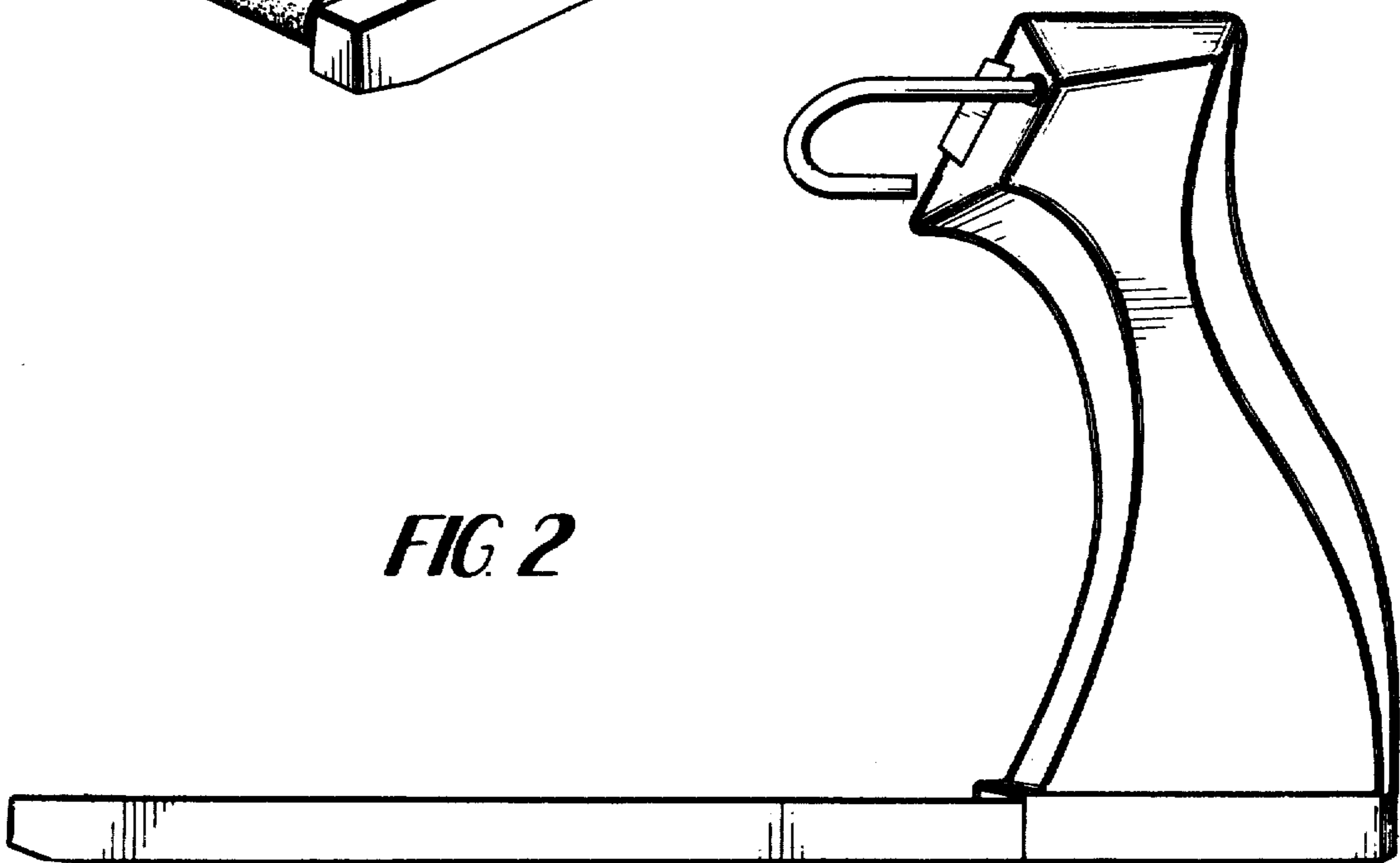


FIG 2



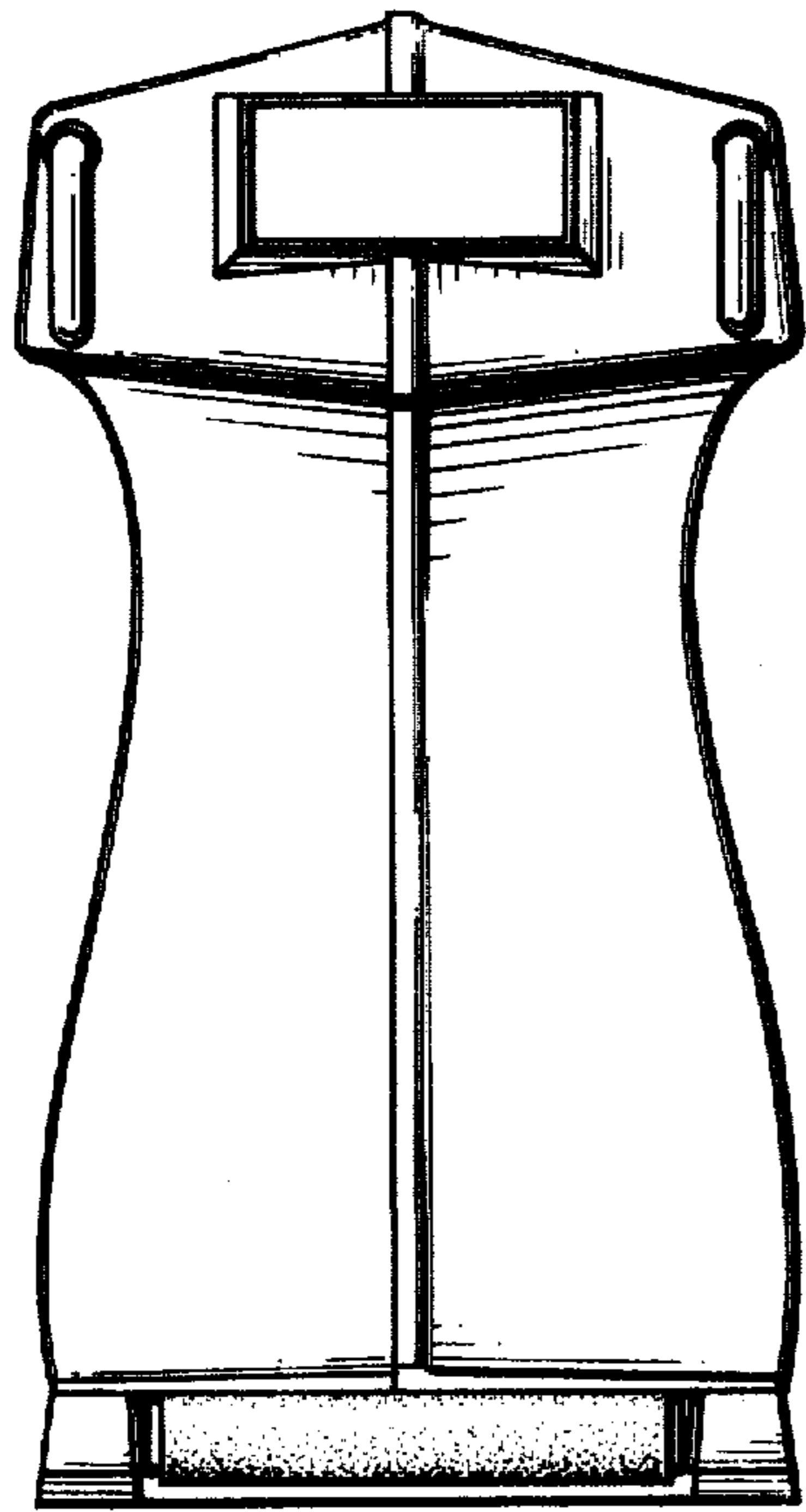


FIG 3

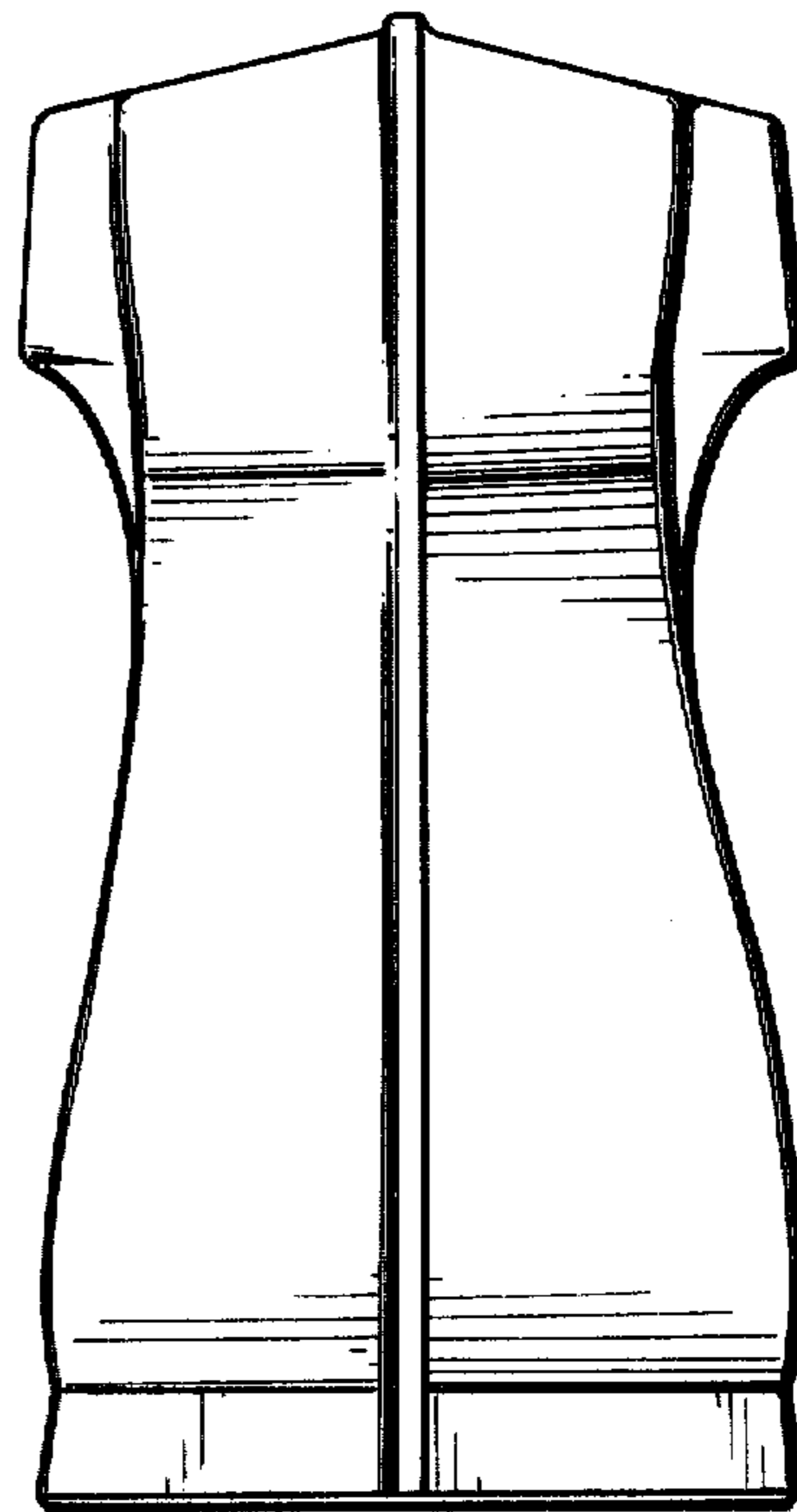


FIG 4

FIG 5

