

[54] GAME BOARD

[76] Inventor: John L. Ericson, 51 Colombia Blvd., Waterbury, Conn. 06710

[\*\*] Term: 14 Years

[21] Appl. No.: 85,769

[22] Filed: Oct. 17, 1979

[51] Int. Cl. .... D21-01

[52] U.S. Cl. .... D21/20

[58] Field of Search ..... D21/20, 17; 273/271

[56] References Cited

U.S. PATENT DOCUMENTS

2,967,714	1/1961	Calabrese	273/271
3,023,004	2/1962	Pitts	273/271

OTHER PUBLICATIONS

Breck's Cat., p. 52, Tic-Tac-Toe with Marbles.

Primary Examiner—Melvin B. Feifer  
Attorney, Agent, or Firm—McCormick, Paulding & Huber

[57] CLAIM

The ornamental design for a game board, as shown and described.

DESCRIPTION

FIG. 1 is a perspective view of a game board embodying my new design.

FIG. 2 is a somewhat reduced top plan view thereof.

FIG. 3 is a somewhat reduced bottom plan view thereof.

FIG. 4 is a side elevational view thereof, the other side elevational views of the game board being identical thereto.

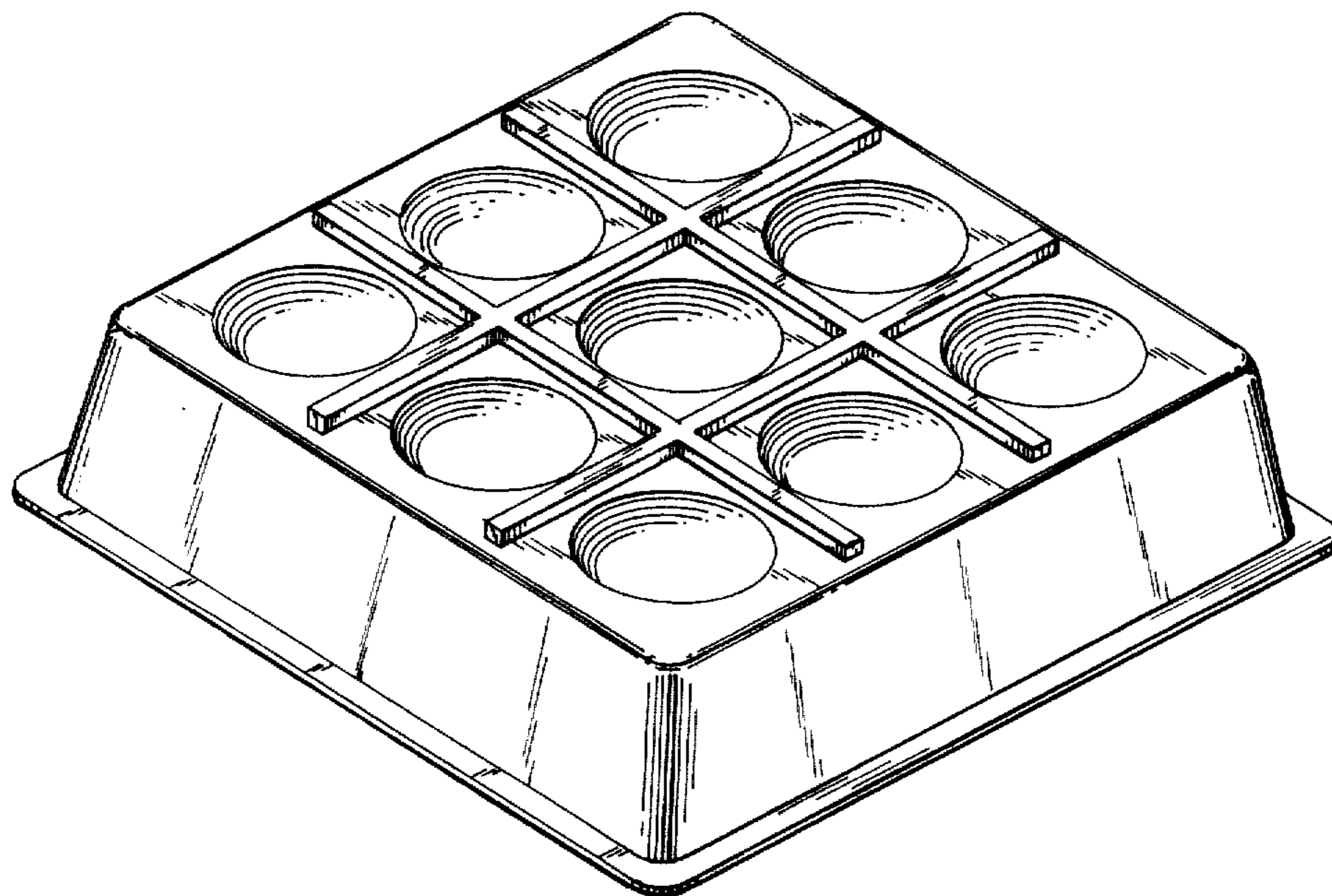


FIG. 1

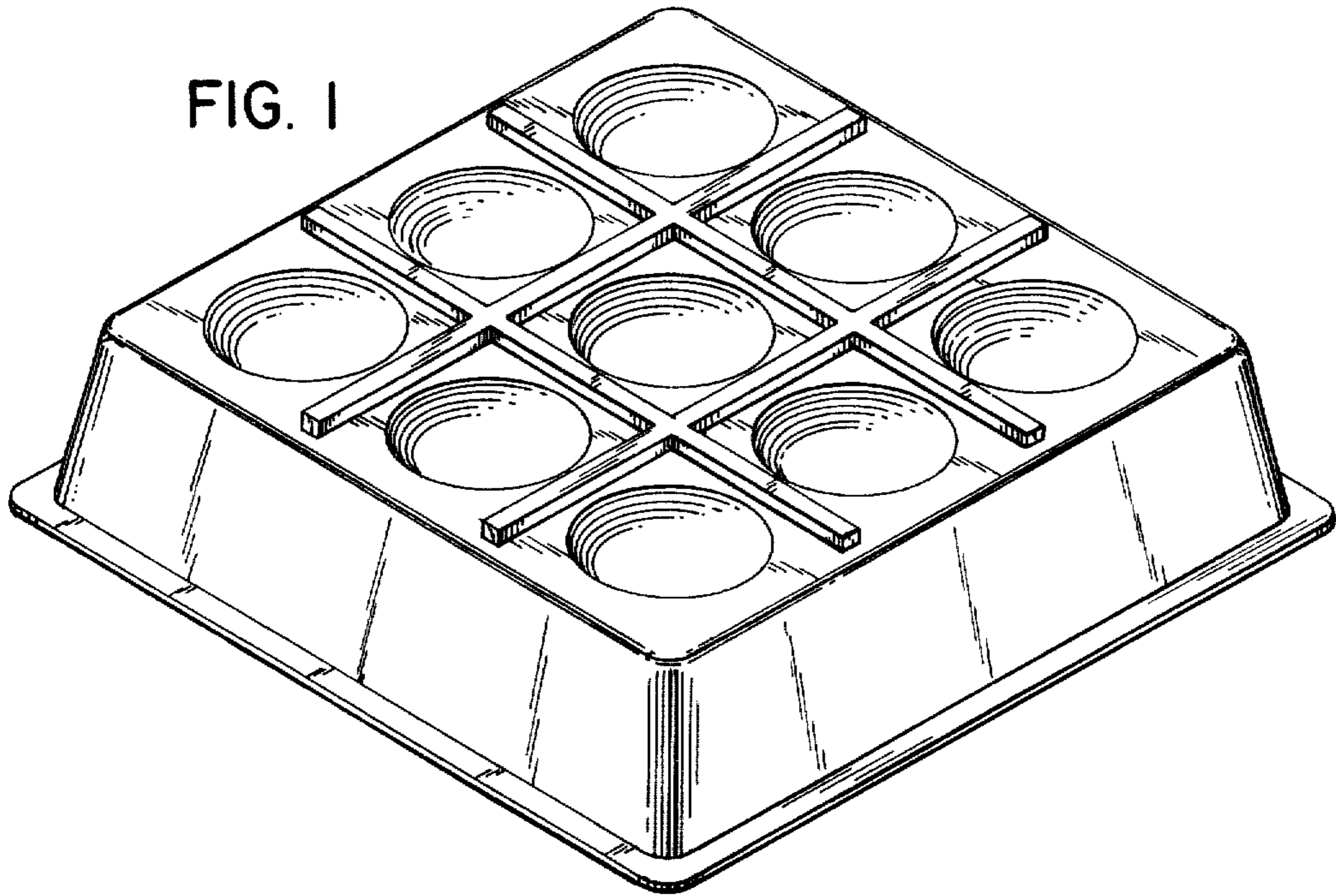


FIG. 2

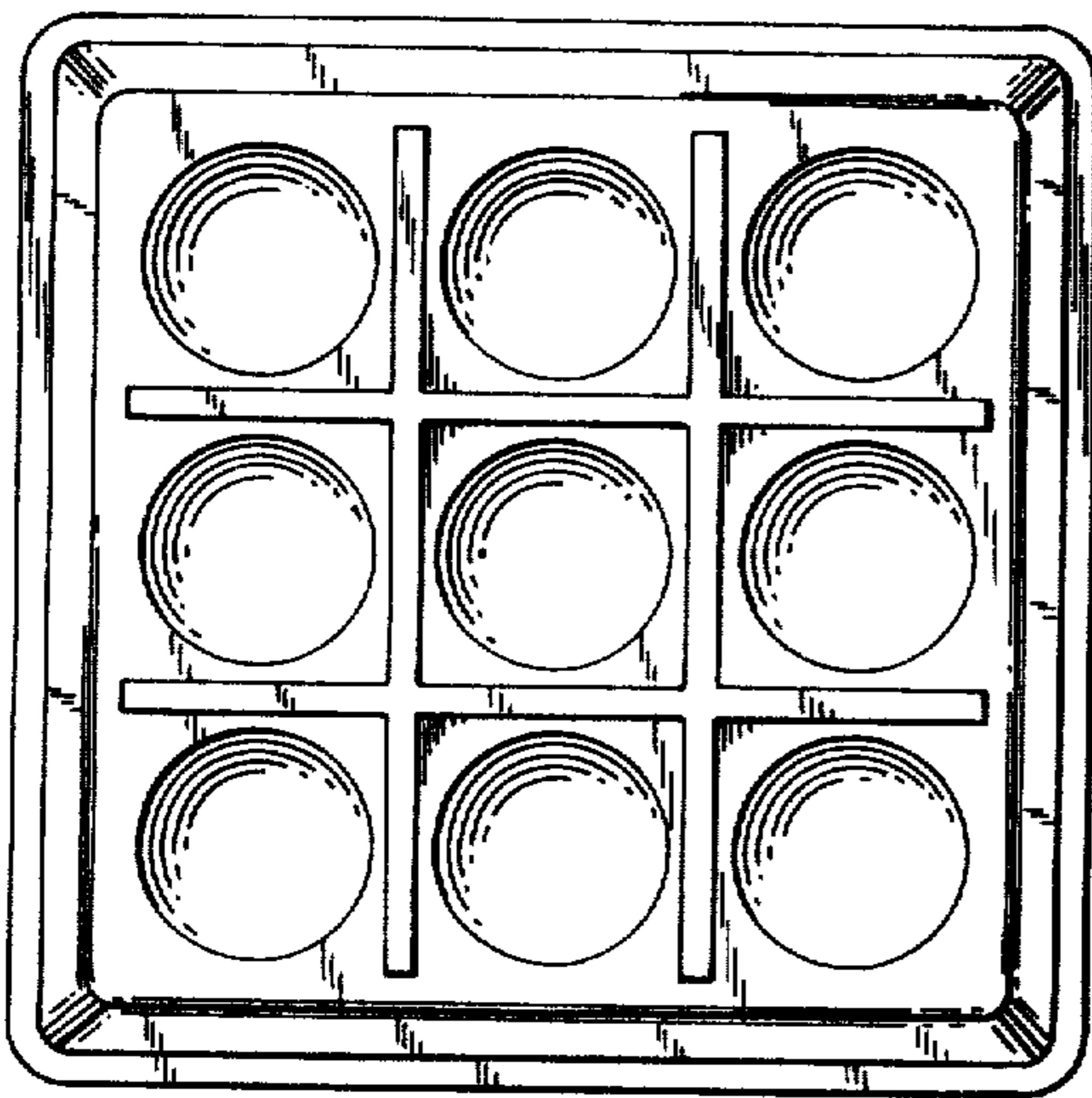


FIG. 3

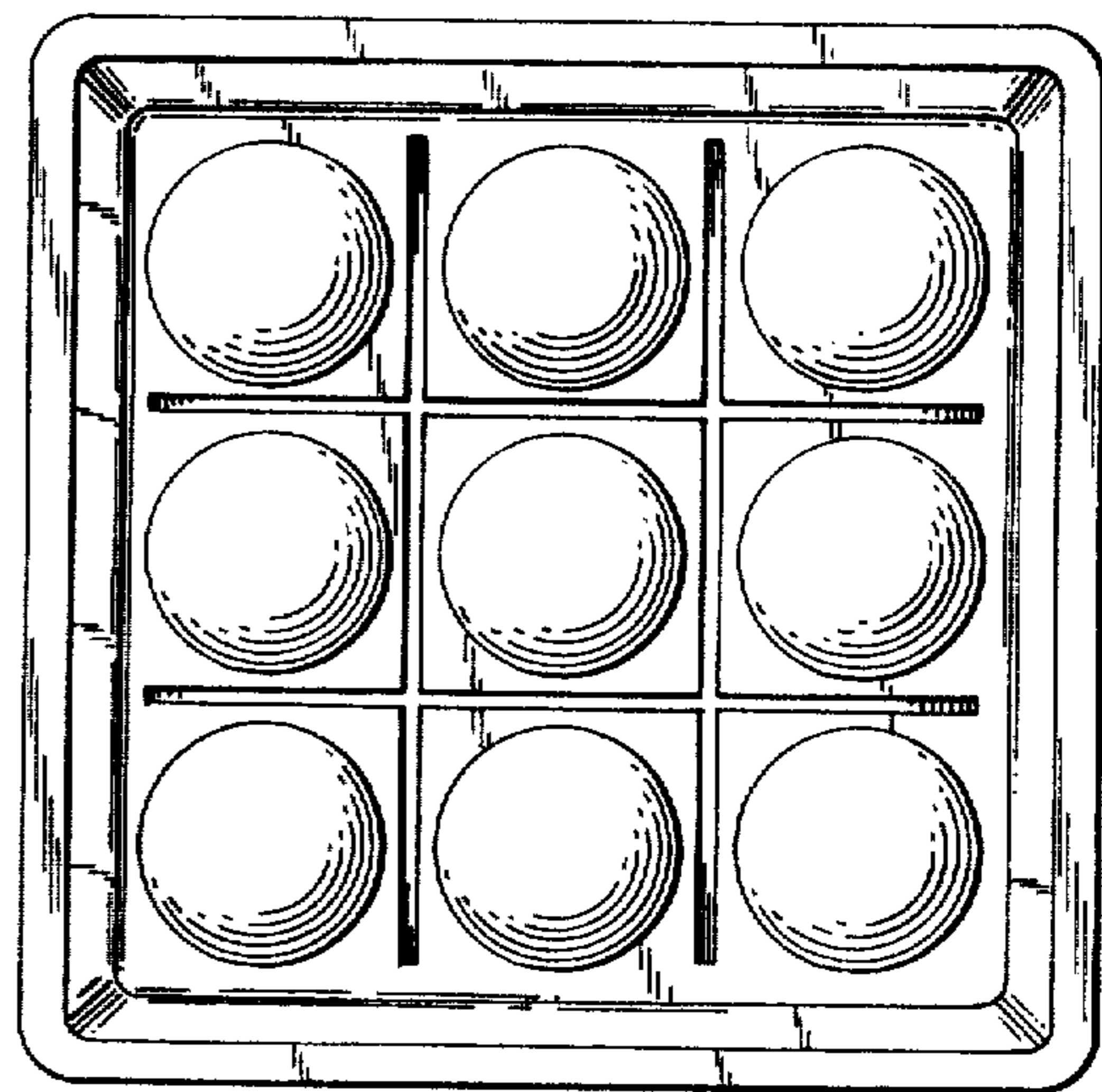


FIG. 4

