

[54] GOLF BAG CART

[76] Inventor: George J. Baney, 4719 Innsbruck Dr., Fort Wayne, Ind. 46815

[**] Term: 14 Years

[21] Appl. No.: 28,107

[22] Filed: Apr. 9, 1979

[51] Int. Cl. D12-02

[52] U.S. Cl. D34/15; D34/26

[58] Field of Search D12/23, 32, 34; 280/47.13, 47.26, 47.27, DIG. 6; 248/96, 98

[56] References Cited

U.S. PATENT DOCUMENTS

1,744,414 1/1930 Pflaum 280/47.26
2,904,345 9/1959 Bradley 280/47.13 R

FOREIGN PATENT DOCUMENTS

83933 5/1954 Norway 280/47.13 R

Primary Examiner—James M. Gandy
Attorney, Agent, or Firm—David A. Lundy

[57] CLAIM

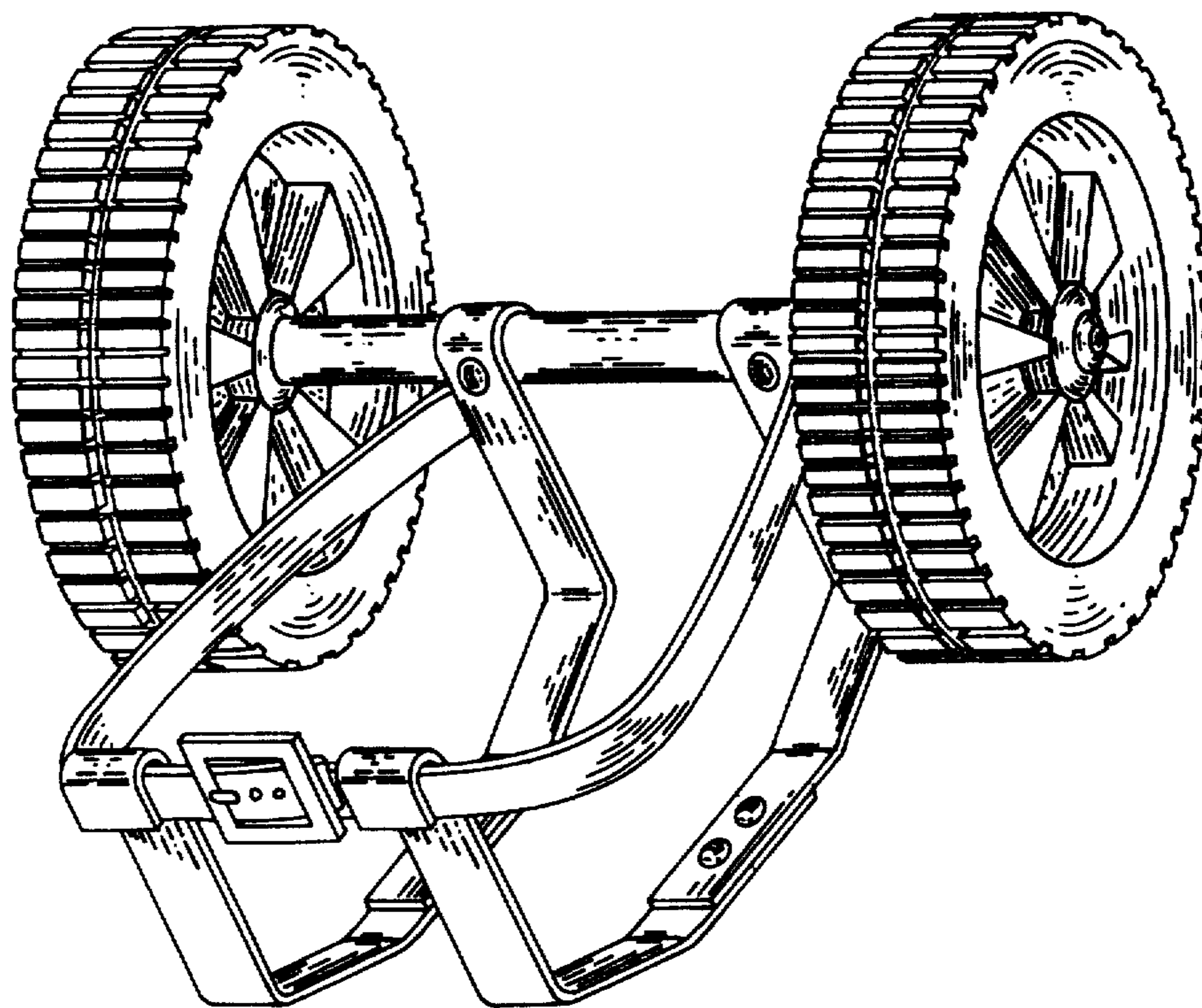
The ornamental design for a golf bag cart, as shown and described.

DESCRIPTION

FIG. 1 is a perspective view of a golf bag cart showing my new design with the expansion links shown in FIGS. 2 and 3 omitted so the cart is adapted to receive small golf bags;

FIG. 2 is an enlarged top plan view thereof with the addition of expansion links in each of the U-shaped supports for receiving large golf bags; and

FIG. 3 is a sectional elevational view taken along line 3—3 in FIG. 2.



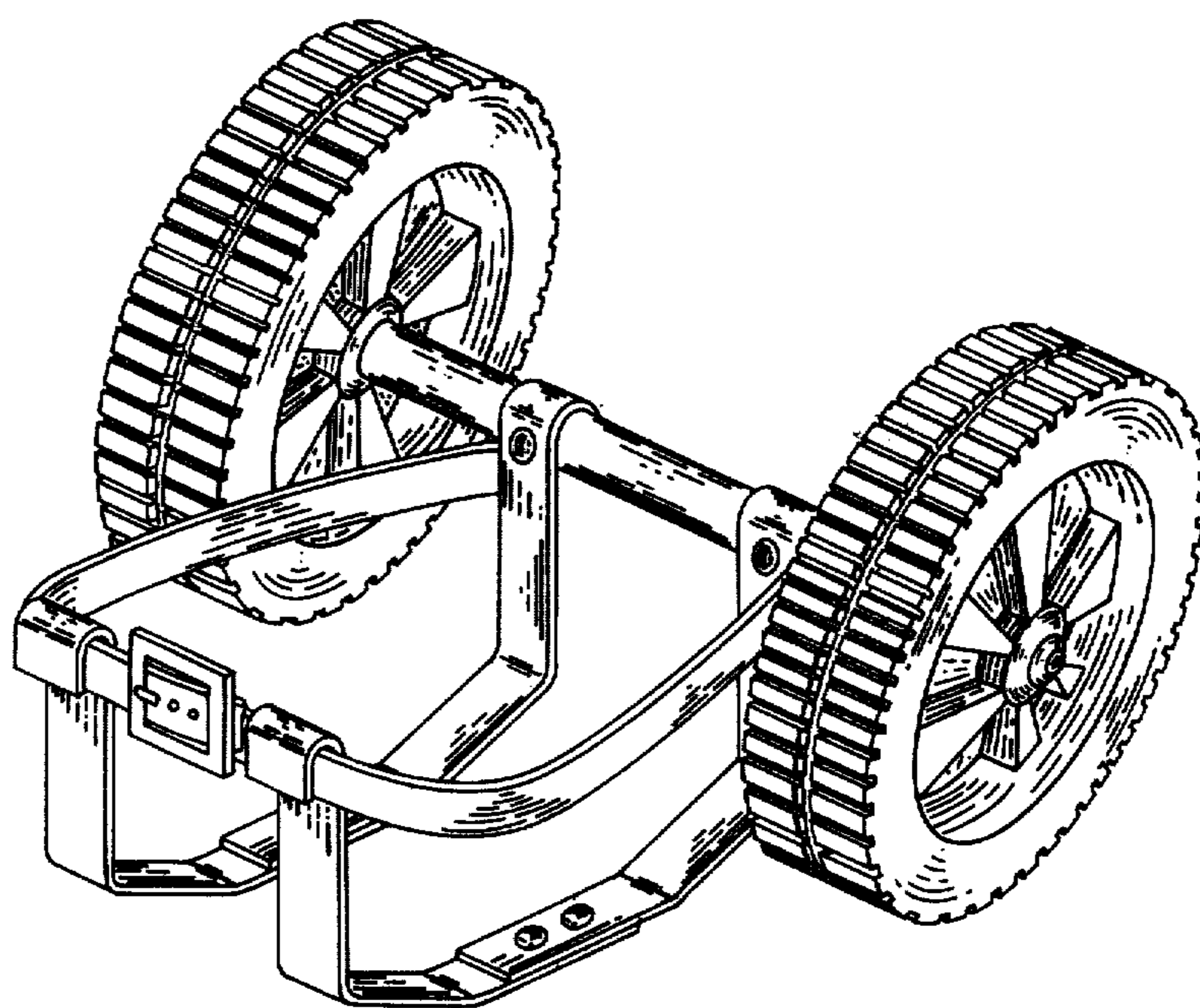


Fig. 1

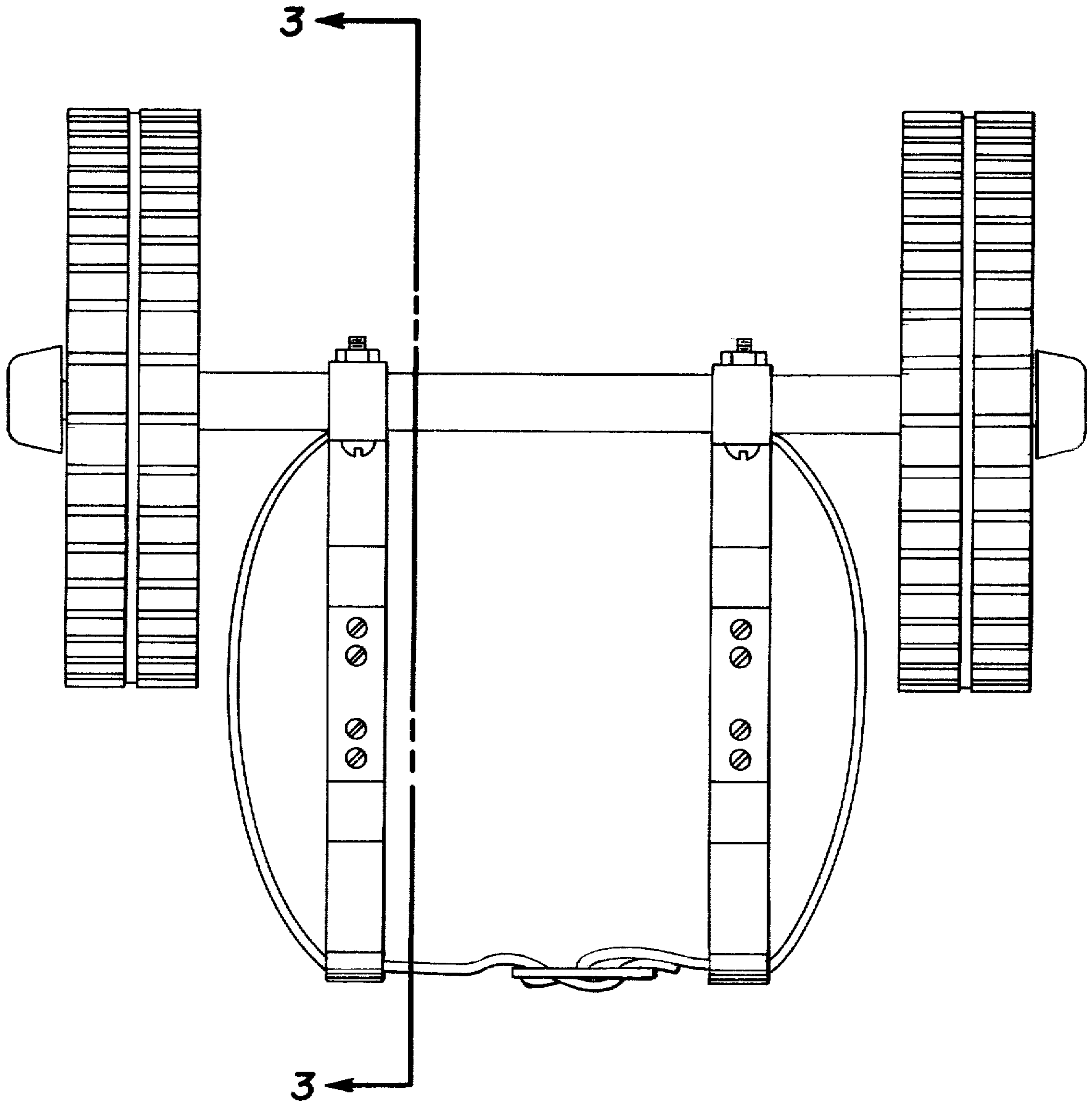


Fig. 2

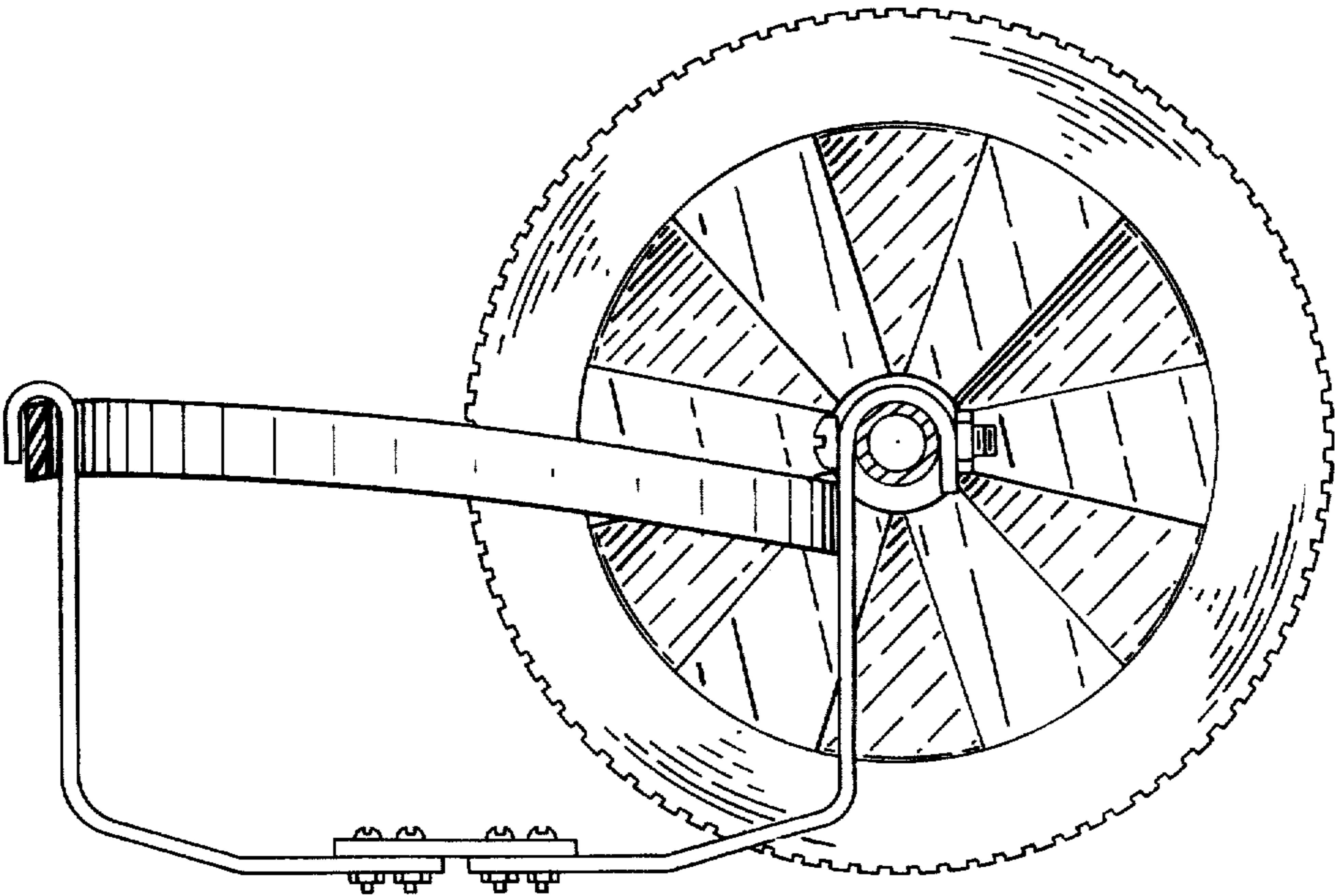


Fig. 3