

[54] MOBILE SUPPORT FOR SWIMMING POOL COVER REELS

[56]

References Cited

U.S. PATENT DOCUMENTS

897,853	9/1908	Von Scheidt	280/62
2,375,363	5/1945	Hokanson	D12/26
3,860,078	1/1975	Stoick	280/79.1 A

[75] Inventor: Le Roy M. Dearing, Studio City, Calif.

Primary Examiner—James M. Gandy  
Attorney, Agent, or Firm—Fulwider, Patton, Rieber, Lee & Utecht

[73] Assignee: L. M. Dearing Associates, Studio City, Calif.

[\*\*] Term: 14 Years

[57] CLAIM

The ornamental design for a mobile support for swimming pool cover reels, substantially as shown and described.

[21] Appl. No.: 73,086

DESCRIPTION

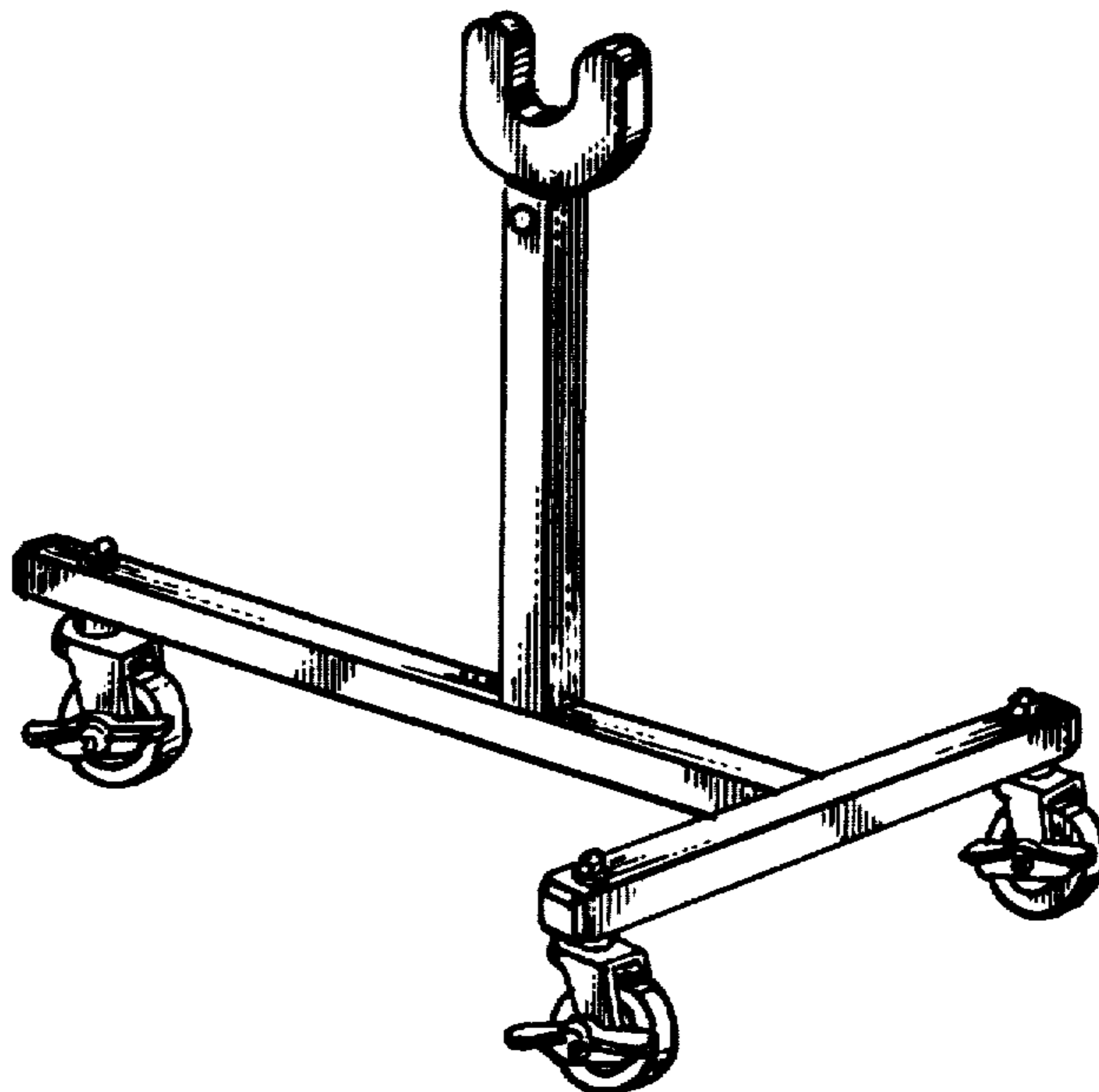
[22] Filed: Sep. 6, 1979

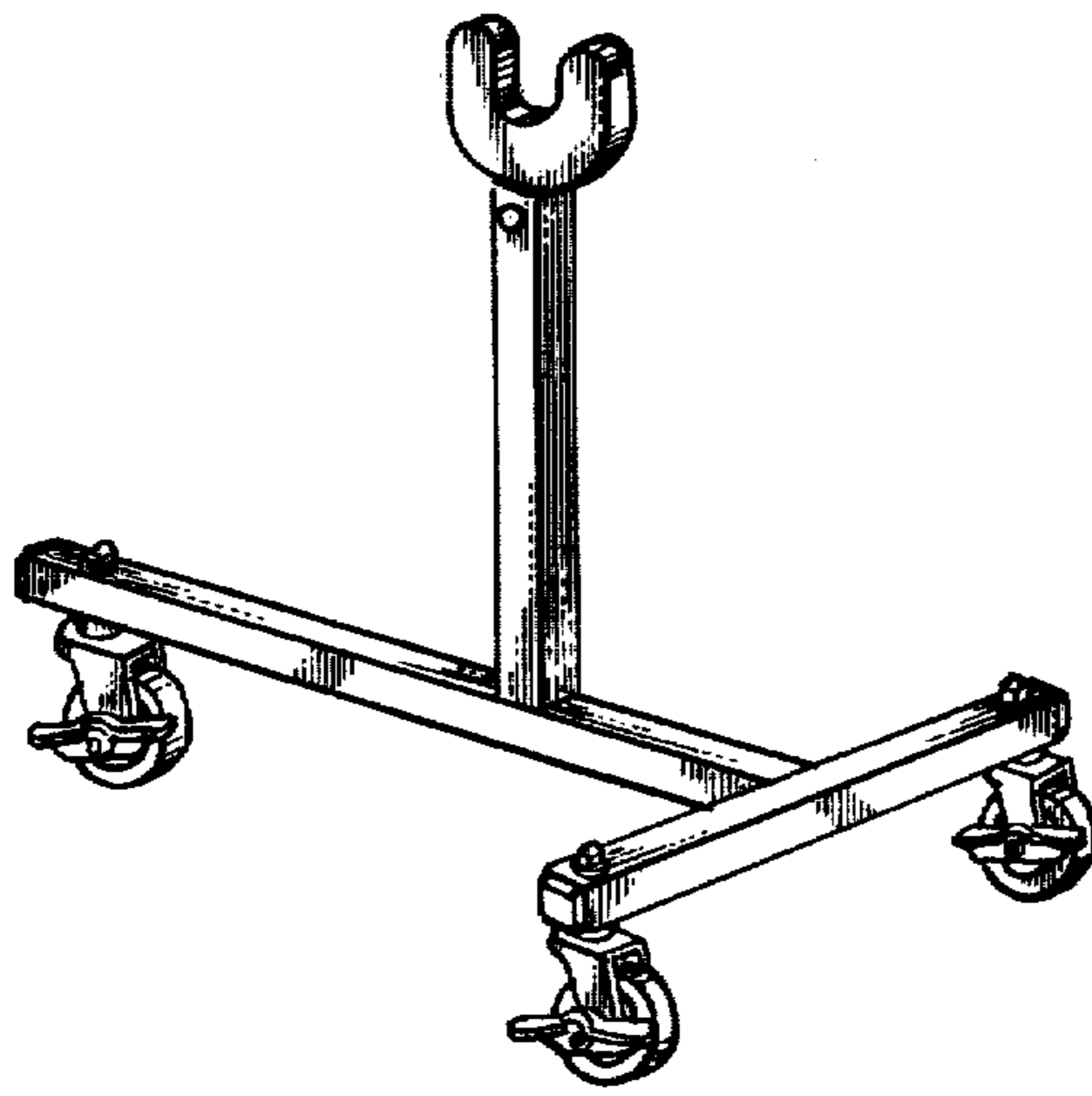
FIG. 1 is a perspective view of a mobile support for swimming pool cover reels;  
FIG. 2 is a side elevational view thereof;  
FIG. 3 is a front elevational view thereof; and  
FIG. 4 a bottom plan view thereof.

[51] Int. Cl. .... D12-02

[52] U.S. Cl. .... D34/18

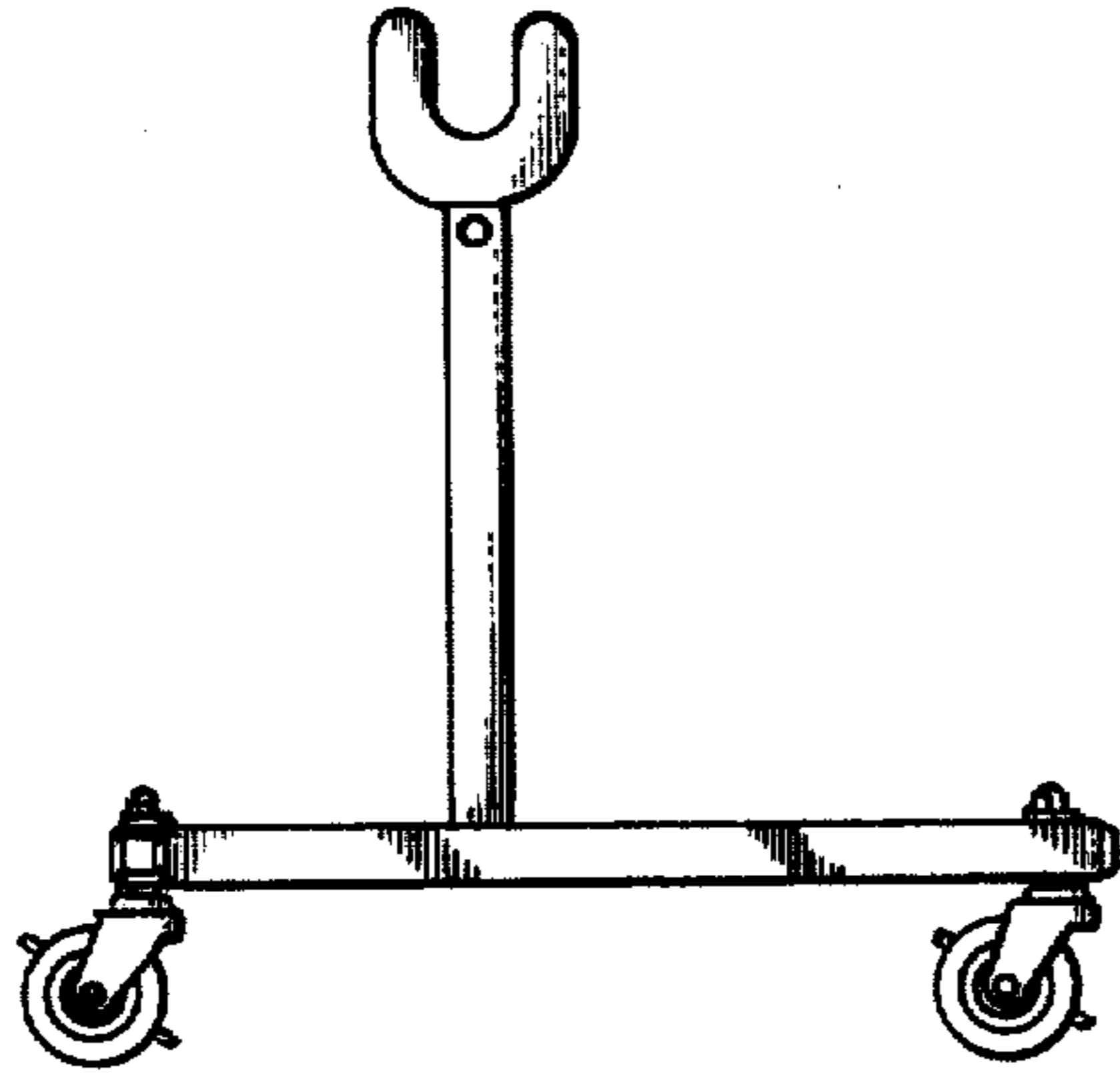
[58] Field of Search ..... D12/26; 280/62, 79.1 A



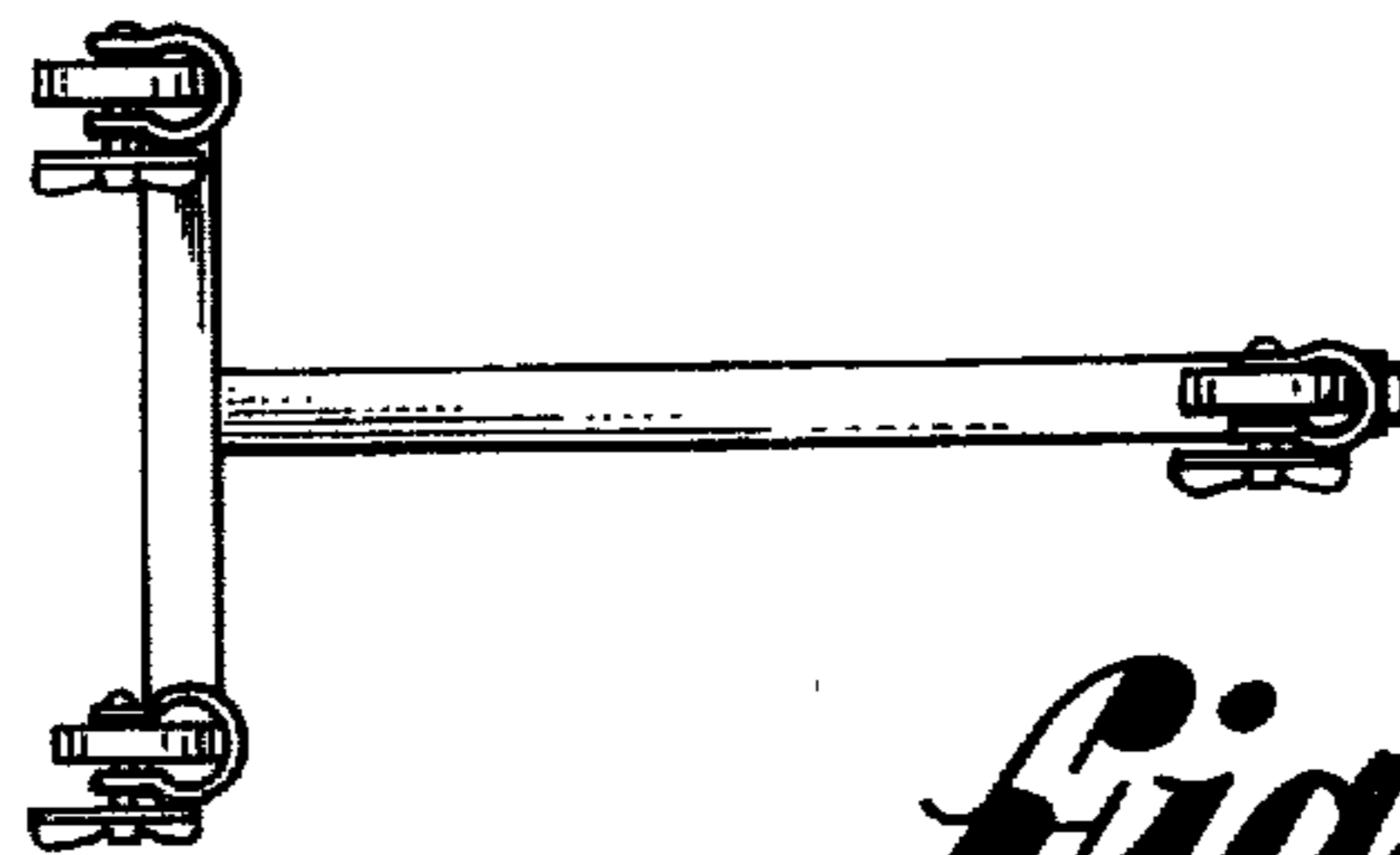
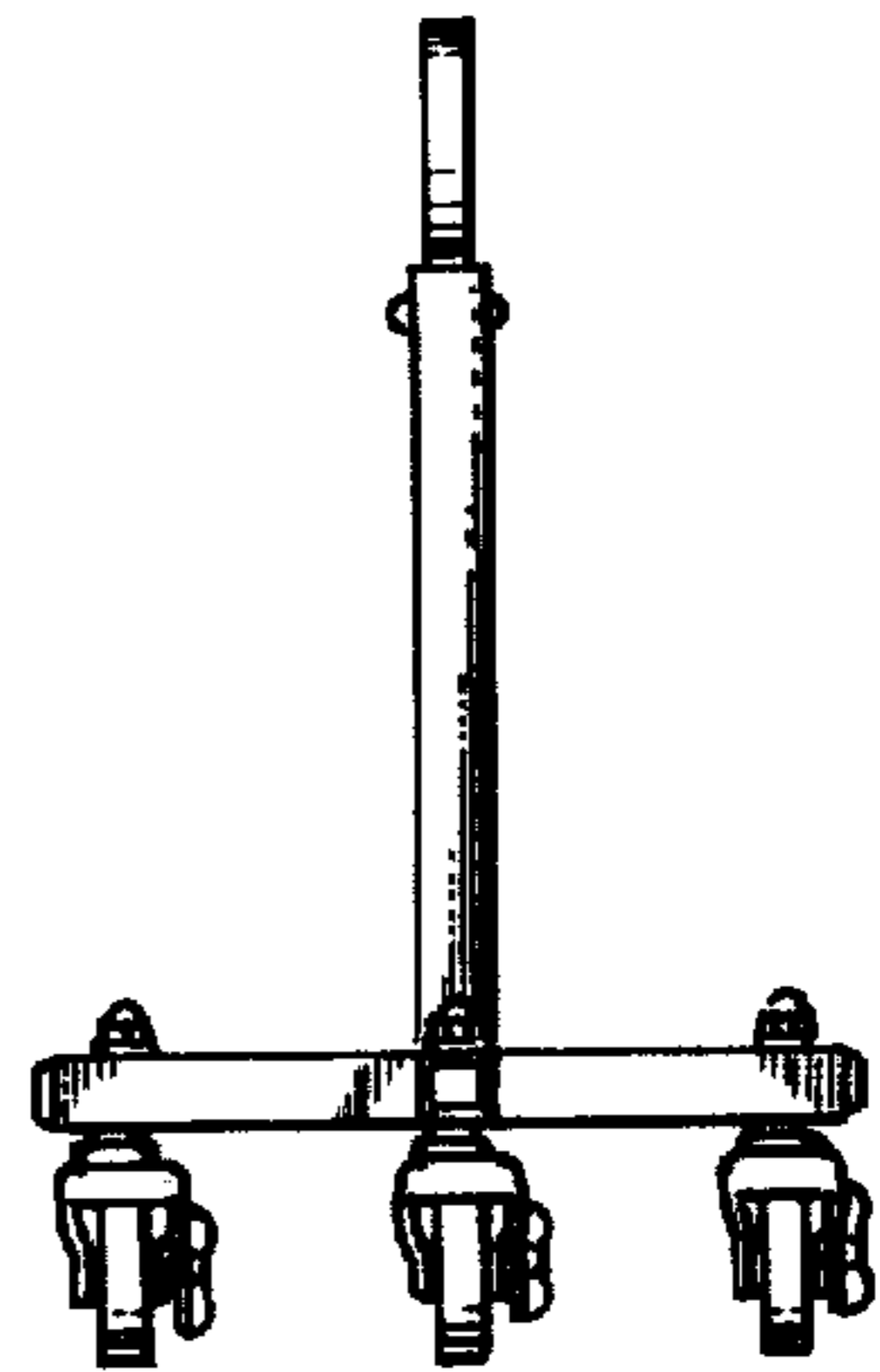


*Fig. 1*

*Fig. 2*



*Fig. 3*



*Fig. 4*