

[54] **THREADLESS INSTANT RELEASE BICYCLE
TIRE PUMP CONNECTOR**

[76] **Inventor: William F. Addington, 2823 Terrace
Dr., Chevy Chase, Md. 20815**

[**] **Term: 14 Years**

[21] **Appl. No.: 72,077**

[22] **Filed: Oct. 3, 1979**

[51] **Int. Cl. D8-99**

[52] **U.S. Cl. D8/395; D8/382;
D8/383; D23/16; 137/231; 137/232; 137/233;
141/38; 141/383; 141/385; 251/149.7**

[58] **Field of Search D23/1, 14, 15, 16;
137/231, 232, 233; 141/38, 383, 385; 251/149.7;
D8/382, 383, 395**

[56] **References Cited**

U.S. PATENT DOCUMENTS

D. 212,554	10/1968	Pratt	D8/395
D. 248,367	7/1978	Haft	D8/383
1,637,499	8/1927	Rundlett	137/231
2,419,720	4/1947	Knight et al.	251/149.7
4,239,184	12/1980	Dudao	137/231

Primary Examiner—Veronica O'Keefe

[57] **CLAIM**

The ornamental design for a threadless instant release bicycle tire pump connector, as shown and described.

DESCRIPTION

FIG. 1 is a perspective view of a threadless instant release bicycle tire pump connector showing my new design in closed position, in association with a pump hose and tire valve and the repositioned valve securing nut and tire rim and tire all of which are illustrated in broken lines for illustrative purposes only.

FIG. 2 is a side elevational view thereof in closed position; and

FIG. 3 is an end elevational view thereof.

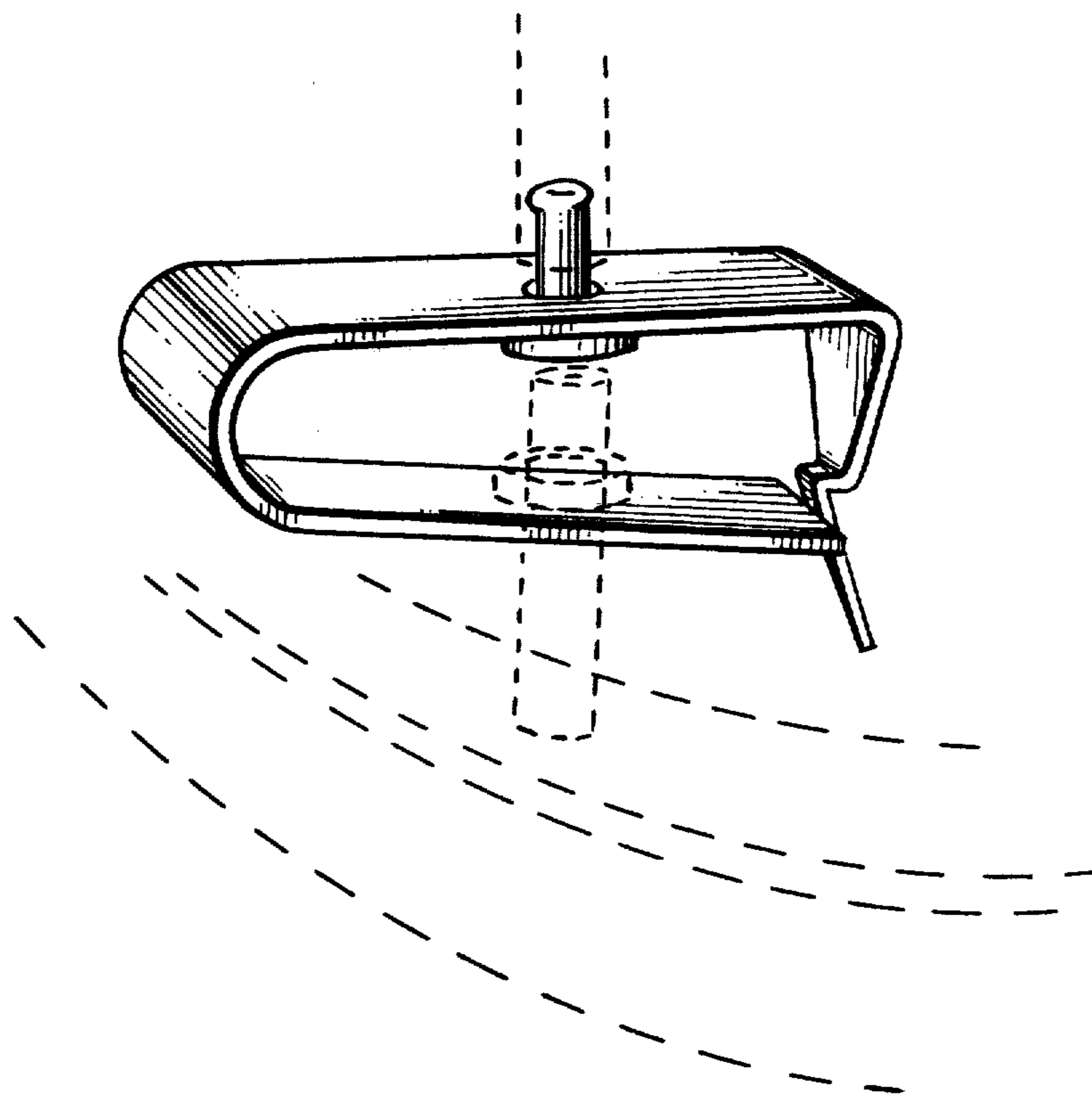


FIG. 1

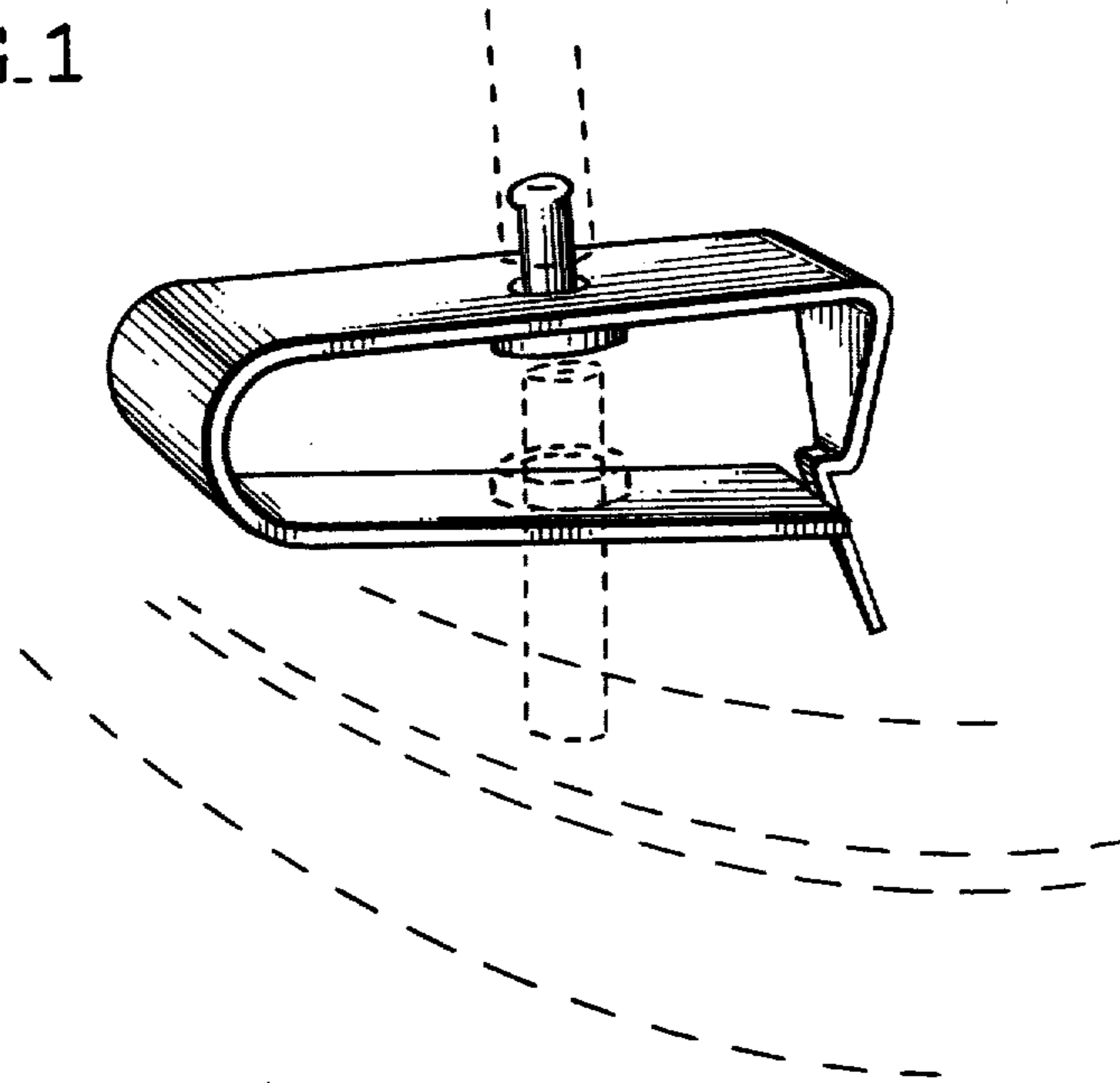


FIG. 2

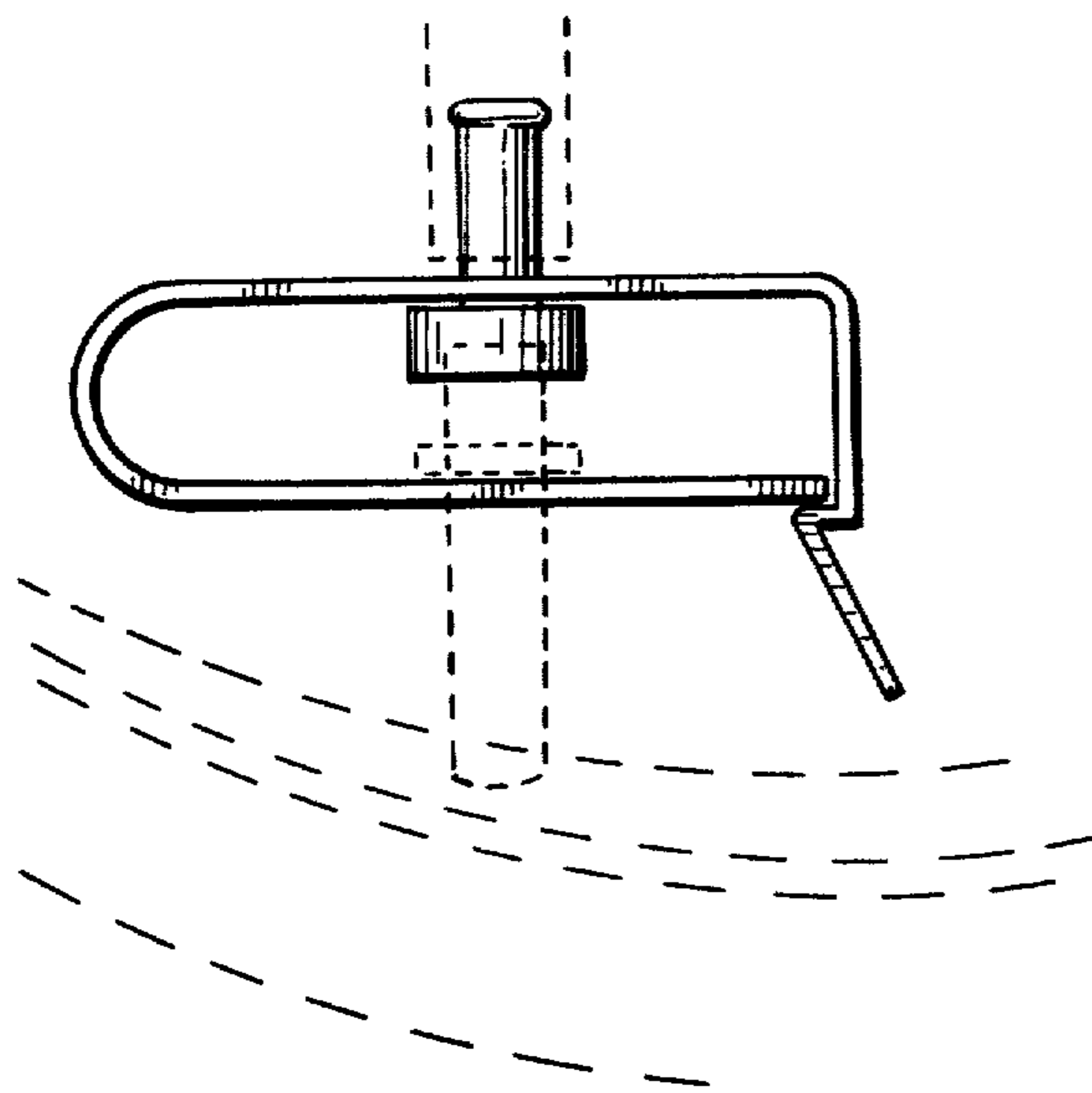


FIG. 3

