

[54] OUTDOOR COOKER

[75] Inventor: Bert Hamilton, Jr., Oklahoma City, Okla.

[73] Assignee: Jet-It-Done, Inc., Oklahoma City, Okla.

[**] Term: 14 Years

[21] Appl. No.: 137,788

[22] Filed: Apr. 7, 1980

[51] Int. Cl. D7-02

[52] U.S. Cl. D7/108; D34/25

[58] Field of Search D7/107, 108, 109, 110; D34/25; 126/276, 268; 280/47.17, 47.24, 47.34, 79.2

[56] References Cited

U.S. PATENT DOCUMENTS

D. 240,494 7/1976 Beasley D7/108

D. 250,317 11/1978 Simmons D7/108
D. 251,230 3/1979 Adams D7/108
D. 255,863 7/1980 Futch D7/108

Primary Examiner—Catherine E. Kemper
Attorney, Agent, or Firm—Christopher H. Morgan

[57] CLAIM

The ornamental design for an outdoor cooker, substantially as shown and described.

DESCRIPTION

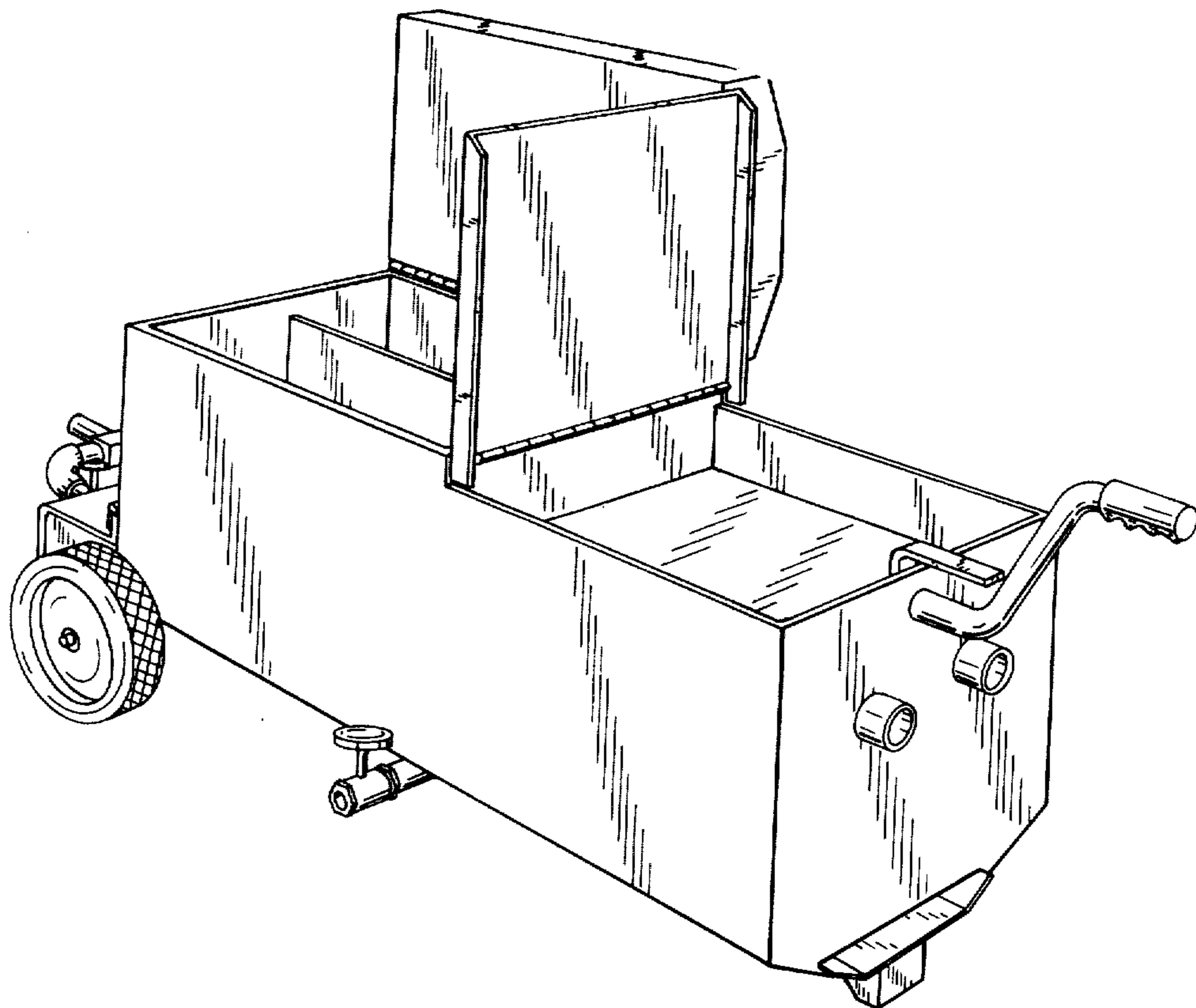
FIG. 1 is a perspective view of an outdoor cooker showing my new design.

FIG. 2 is a top plan view of the outdoor cooker of FIG. 1.

FIG. 3 is an end view of the outdoor cooker of FIG. 1, showing the end not shown in FIG. 1.

FIG. 4 is a perspective view of the outdoor cooker shown in FIG. 1, shown with the same perspective as FIG. 1 but with the upper doors opened.

FIG. 5 is a top plan view of the outdoor cooker shown in FIG. 4.



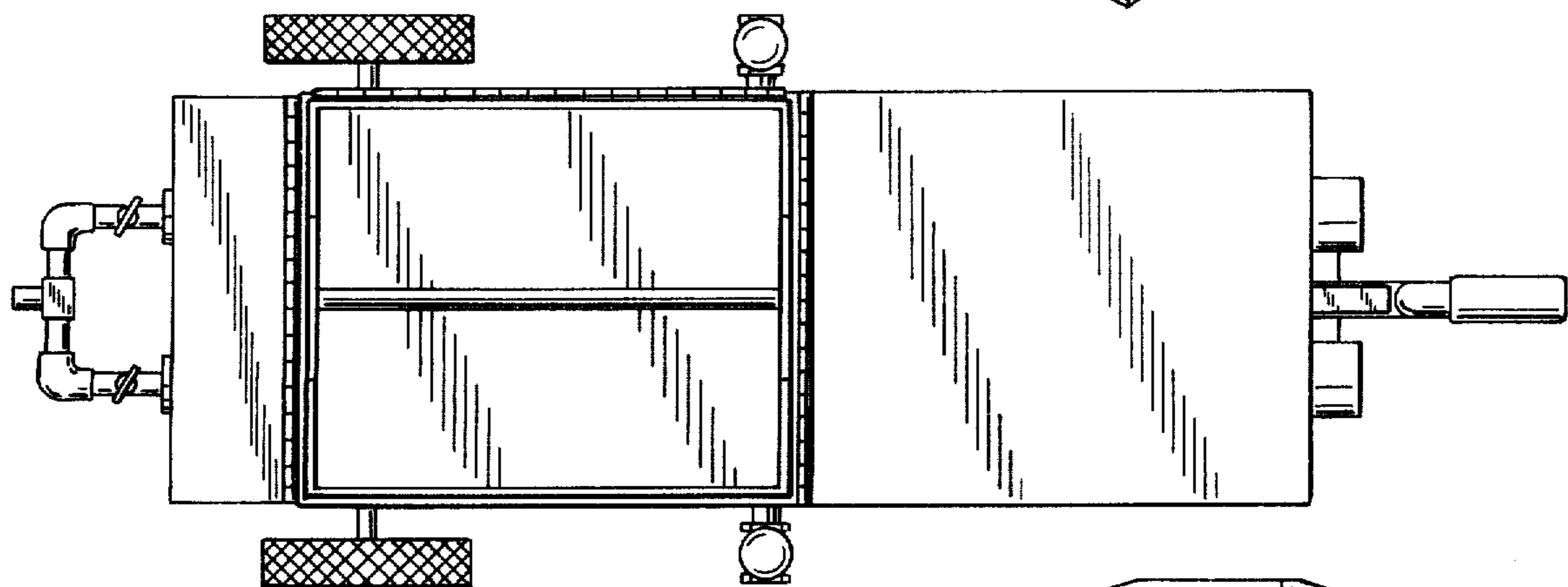
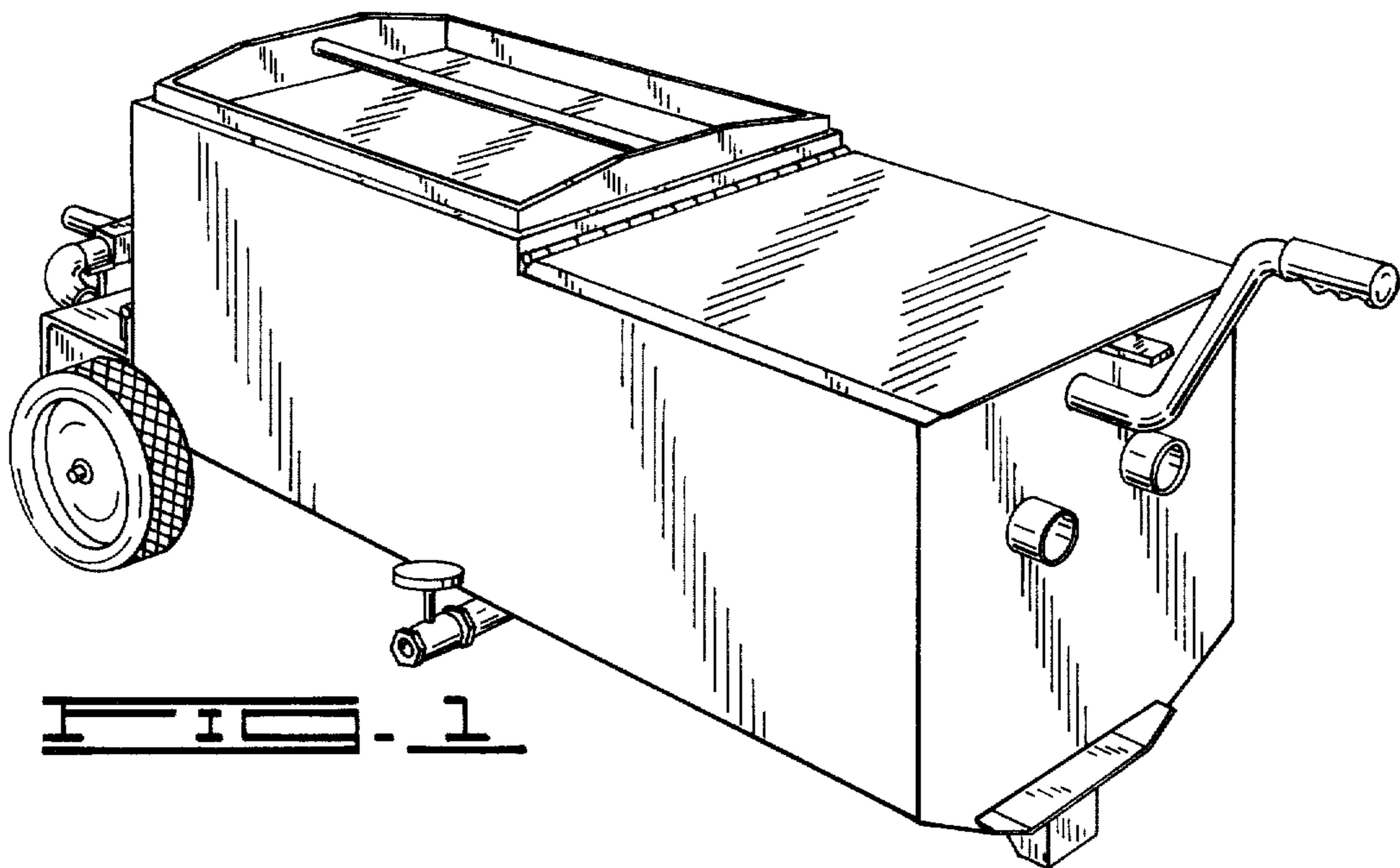


FIG. 2

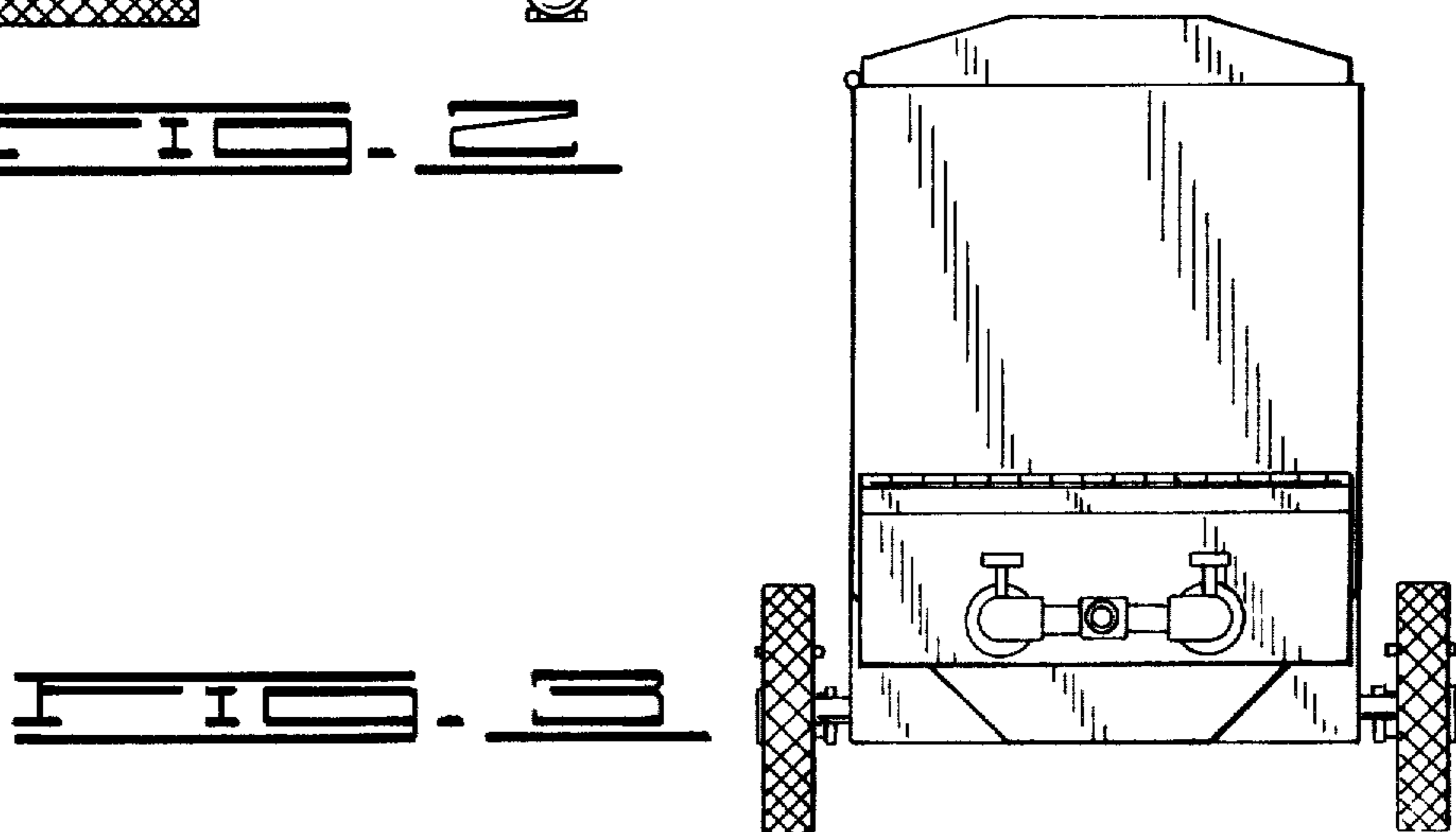


FIG. 3

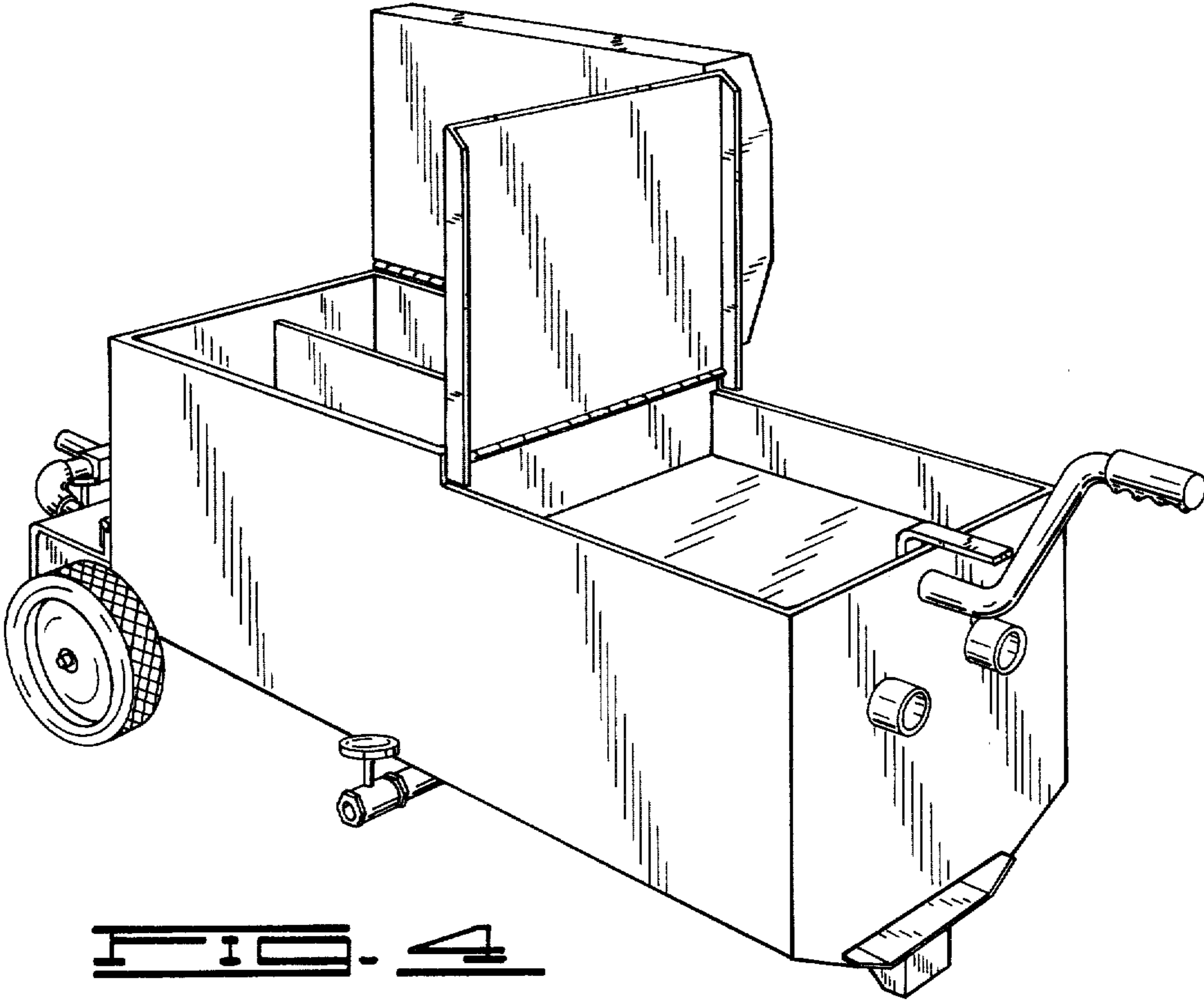


FIG. 4

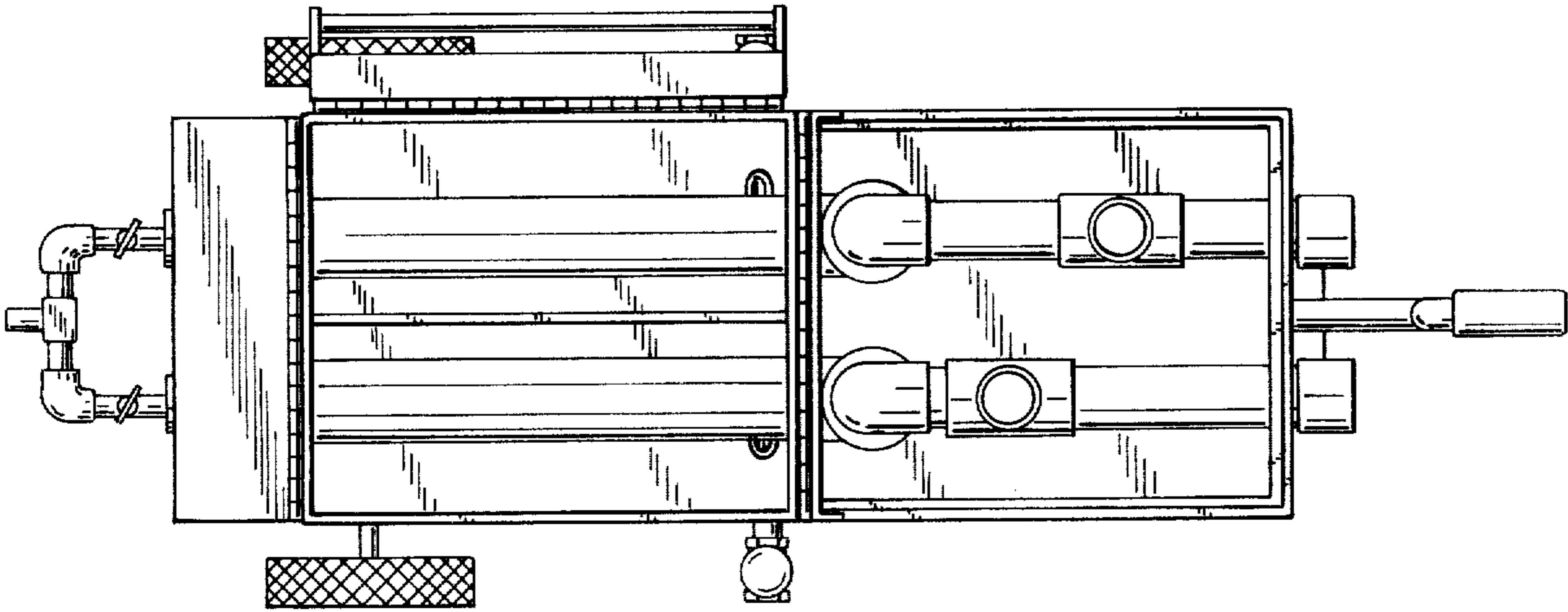


FIG. 5